



US00D773545S

(12) **United States Design Patent**
Nikaido

(10) **Patent No.:** **US D773,545 S**

(45) **Date of Patent:** **** Dec. 6, 2016**

(54) **DIGITAL CAMERA**

(71) Applicant: **Nikon Corporation**, Tokyo (JP)

(72) Inventor: **Shota Nikaido**, Tokyo (JP)

(73) Assignee: **Nikon Corporation**, Tokyo (JP)

(**) Term: **15 Years**

(21) Appl. No.: **29/533,989**

(22) Filed: **Jul. 23, 2015**

(30) **Foreign Application Priority Data**

Jan. 29, 2015 (JP) 2015-001707

(51) **LOC (10) Cl.** **16-01**

(52) **U.S. Cl.**
USPC **D16/202**

(58) **Field of Classification Search**
USPC D16/200, 202-206, 208, 218, 219;
348/373-376; 396/535, 539-541
CPC G03B 15/03; G03B 17/02; G03B 17/04;
G03B 17/56; G03B 19/04; H04N 5/2251;
H04N 5/2252; H04N 5/2253; H04N
5/2254; H04N 2101/00
See application file for complete search history.

(56) **References Cited**

U.S. PATENT DOCUMENTS

D649,997 S * 12/2011 Imai D16/202
D657,408 S * 4/2012 Tainaka D16/202
D680,149 S 4/2013 Nakajima
D681,710 S * 5/2013 Sato D16/200
D682,333 S * 5/2013 Kim D16/202
D685,834 S * 7/2013 Chai D16/202

D695,807 S * 12/2013 Tainaka D16/202
D698,839 S * 2/2014 Sato D16/200
D698,848 S * 2/2014 Uemachi D16/219
D701,257 S * 3/2014 Ogawa D16/202
D710,425 S * 8/2014 Sato D16/200
D716,862 S * 11/2014 Hoshi D16/202
2011/0109790 A1* 5/2011 Shinohara G03B 17/14
348/373
2013/0335623 A1* 12/2013 Furuyama G02B 7/023
348/373

FOREIGN PATENT DOCUMENTS

EP 002514877-0003 5/2014

* cited by examiner

Primary Examiner — Susan E Krakower

Assistant Examiner — Ramzi Almatrahi

(74) *Attorney, Agent, or Firm* — Wolf, Greenfield & Sacks, P.C.

(57) **CLAIM**

The ornamental design for a digital camera, as shown and described.

DESCRIPTION

FIG. 1 is a front, top and right side perspective view of a digital camera showing my new design;
FIG. 2 is a rear, top and left side perspective view thereof;
FIG. 3 is a front view thereof;
FIG. 4 is a rear view thereof;
FIG. 5 is a top plan view thereof;
FIG. 6 is a bottom plan view thereof;
FIG. 7 is a right side view thereof; and,
FIG. 8 is a left side view thereof.

The broken lines depict portions of a digital camera in which the design is embodied that form no part of the claimed design.

1 Claim, 8 Drawing Sheets

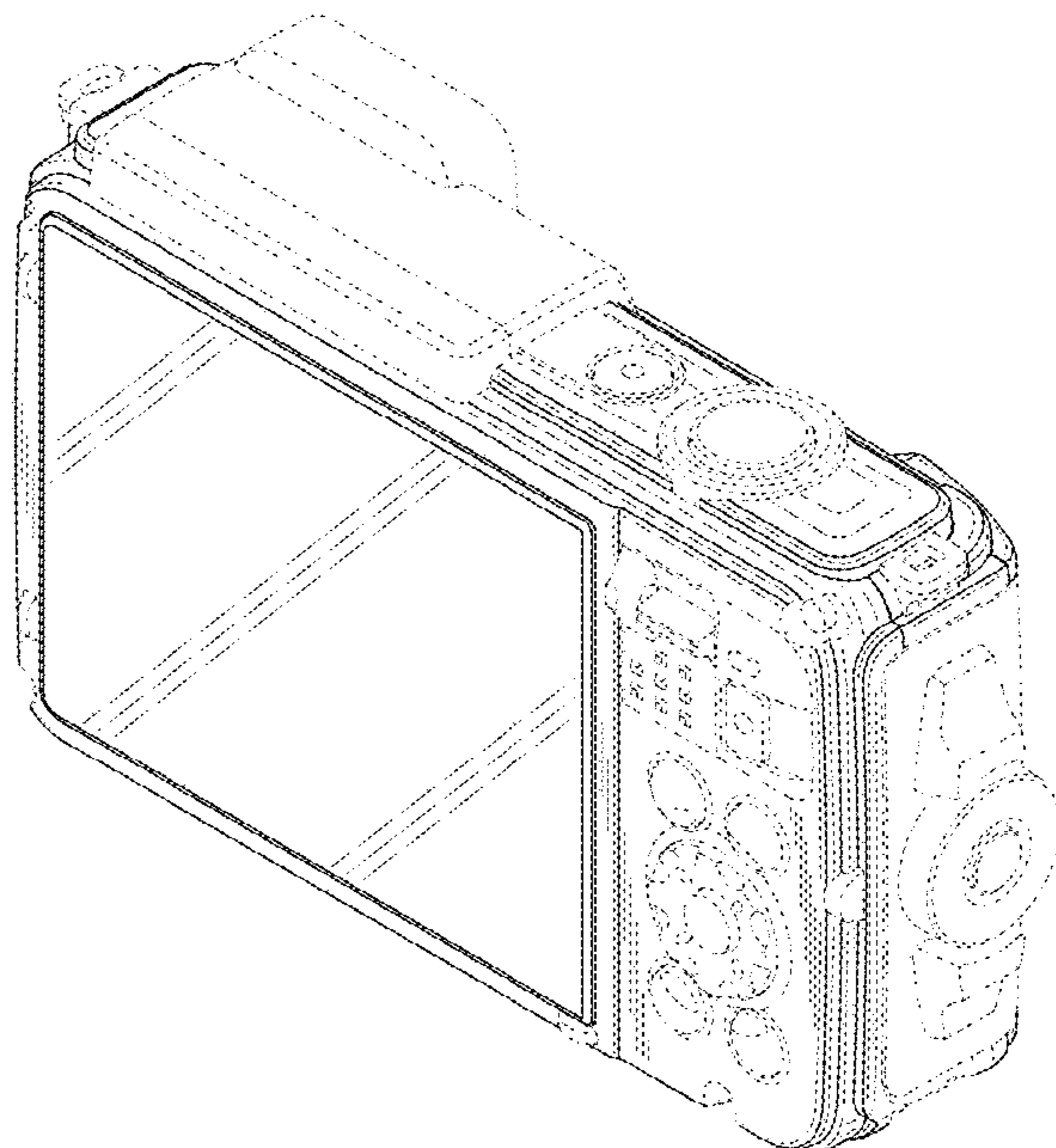
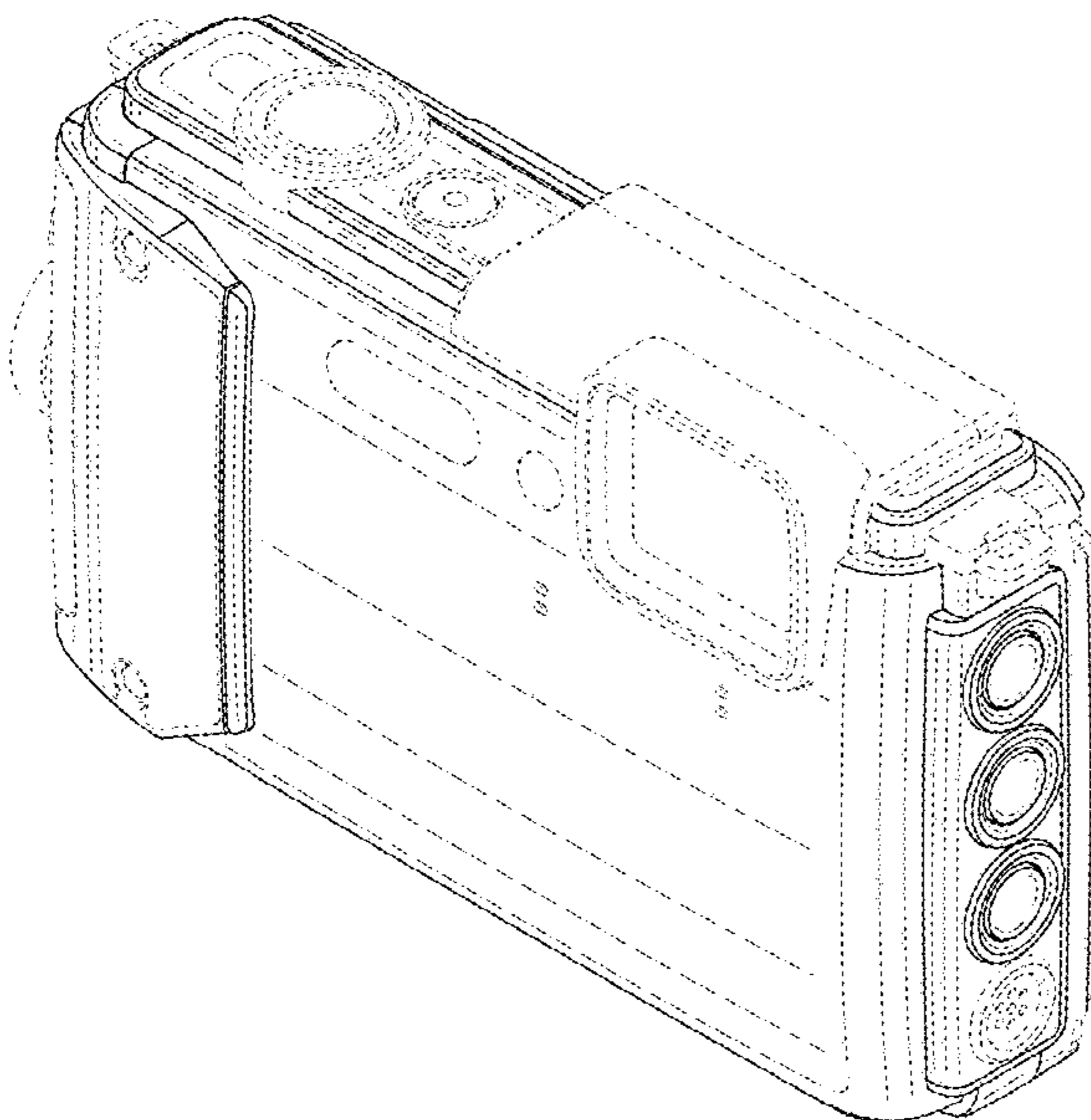


FIG. 1

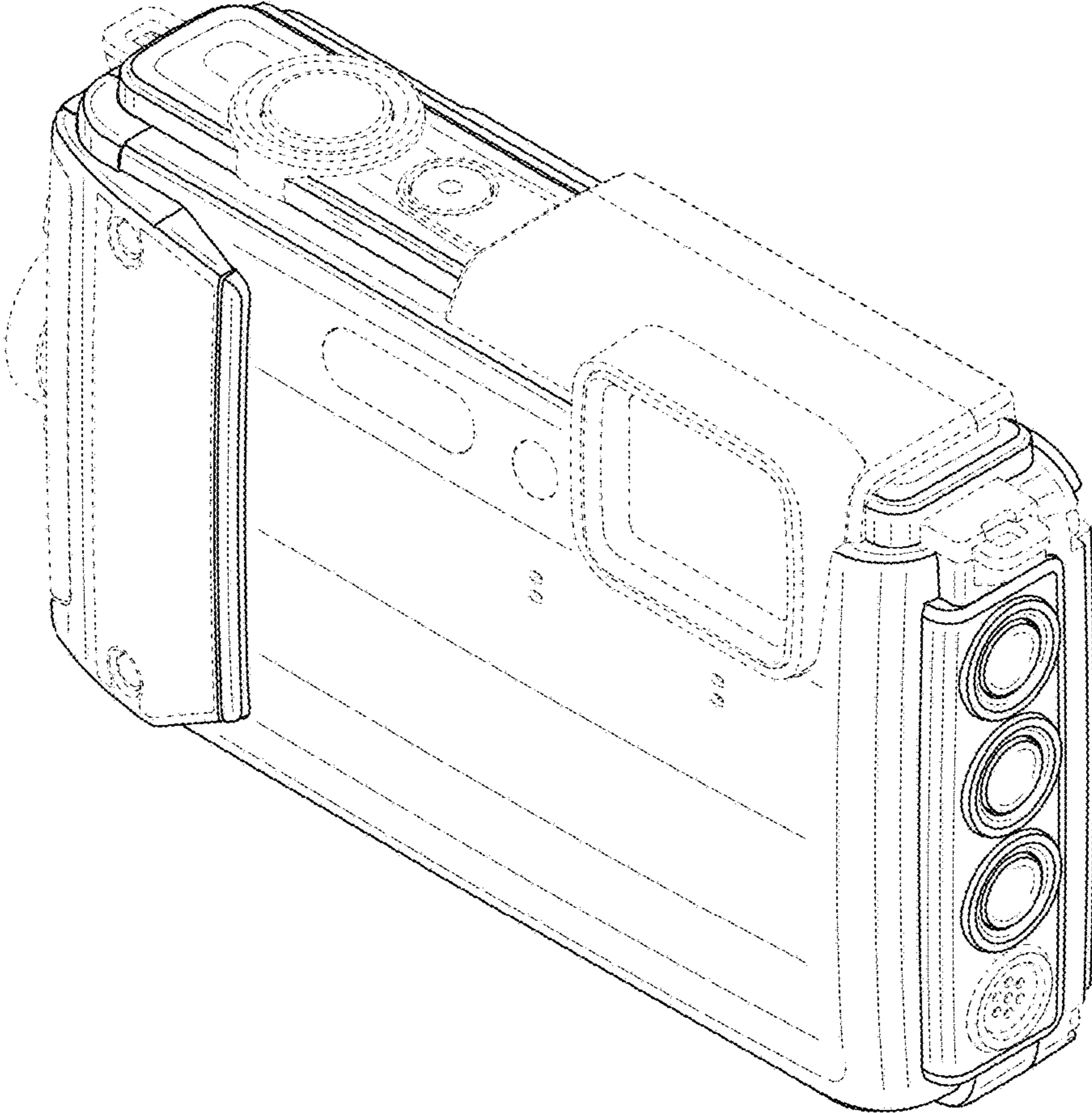


FIG. 2

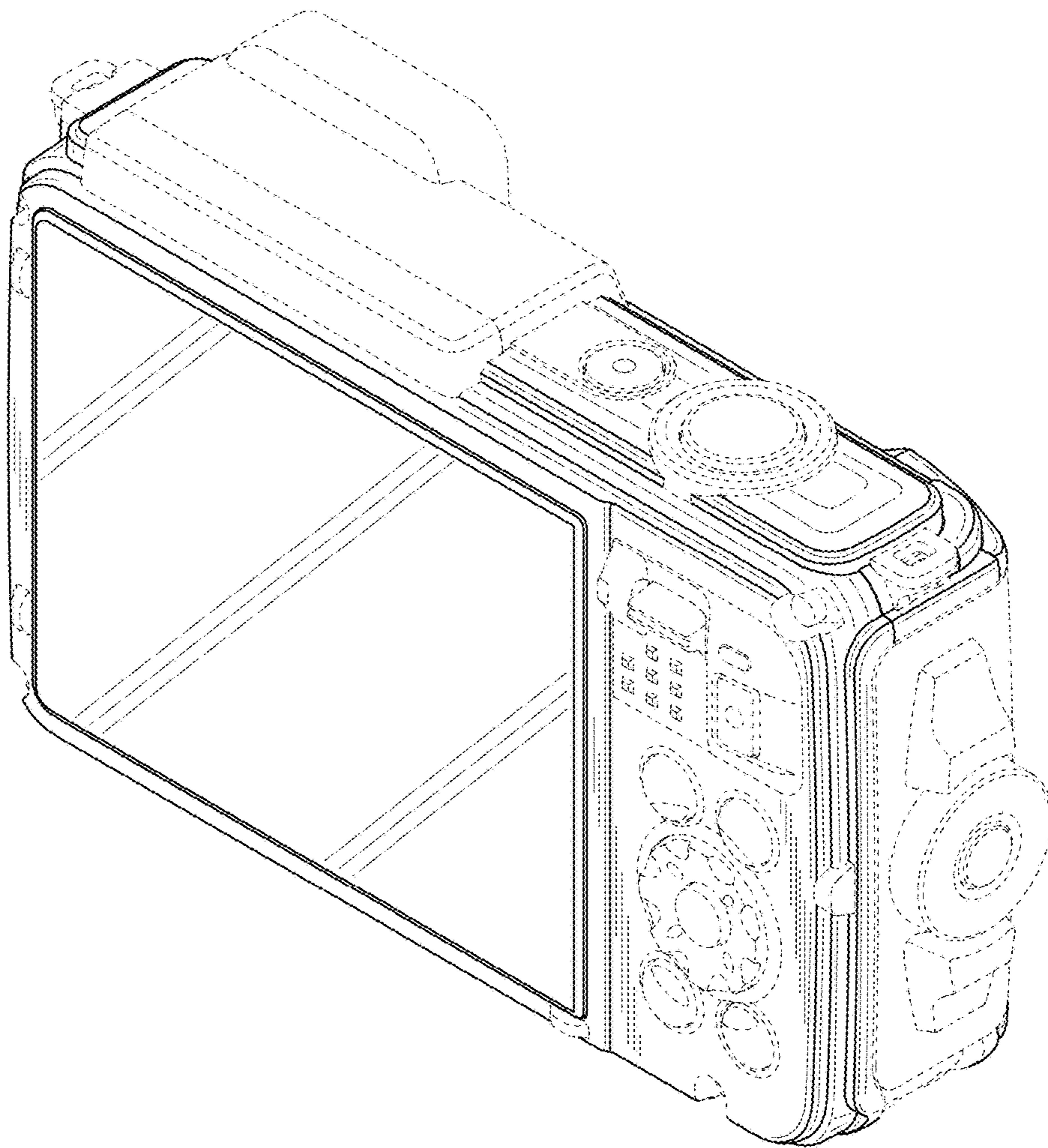


FIG. 3

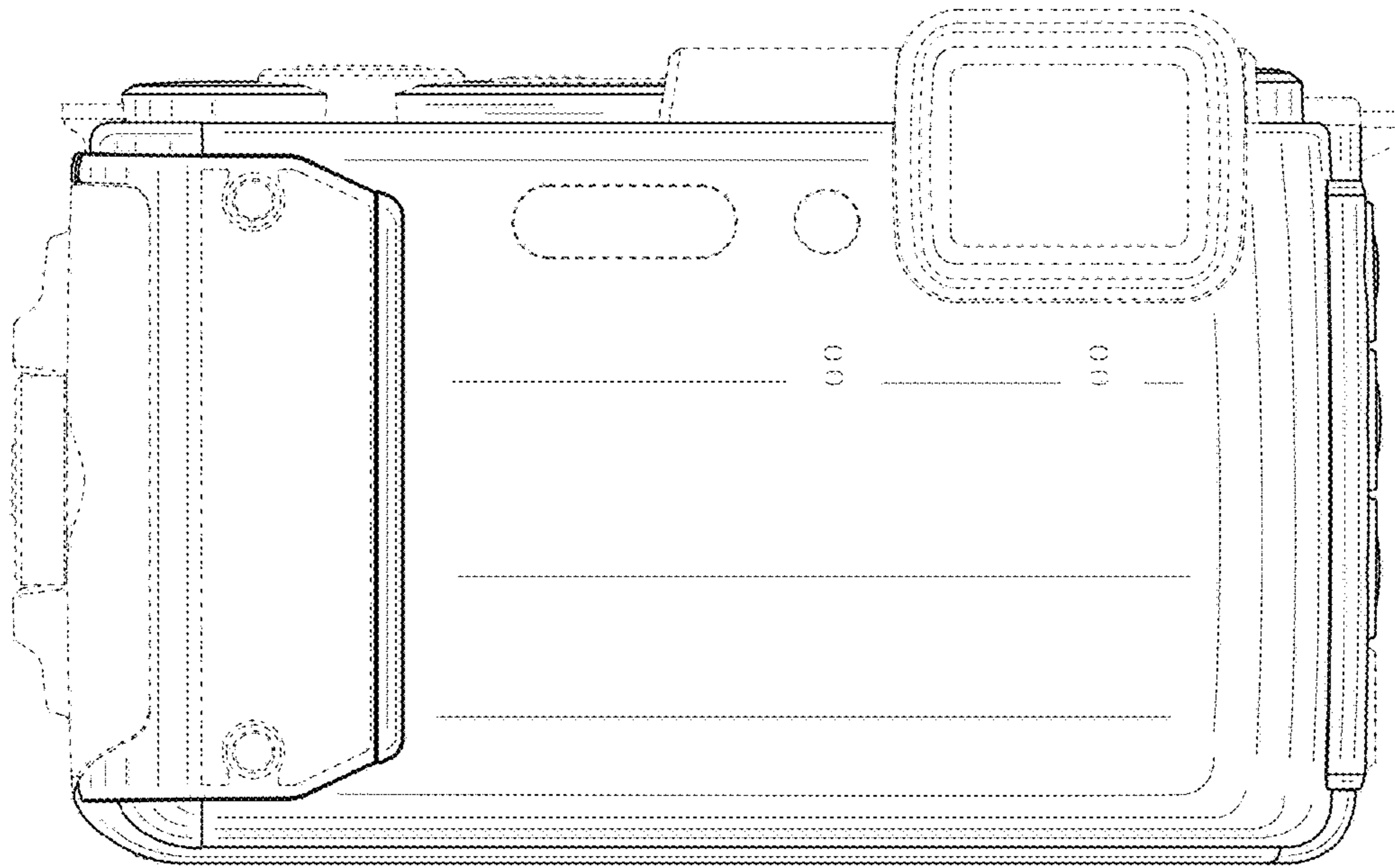


FIG. 4

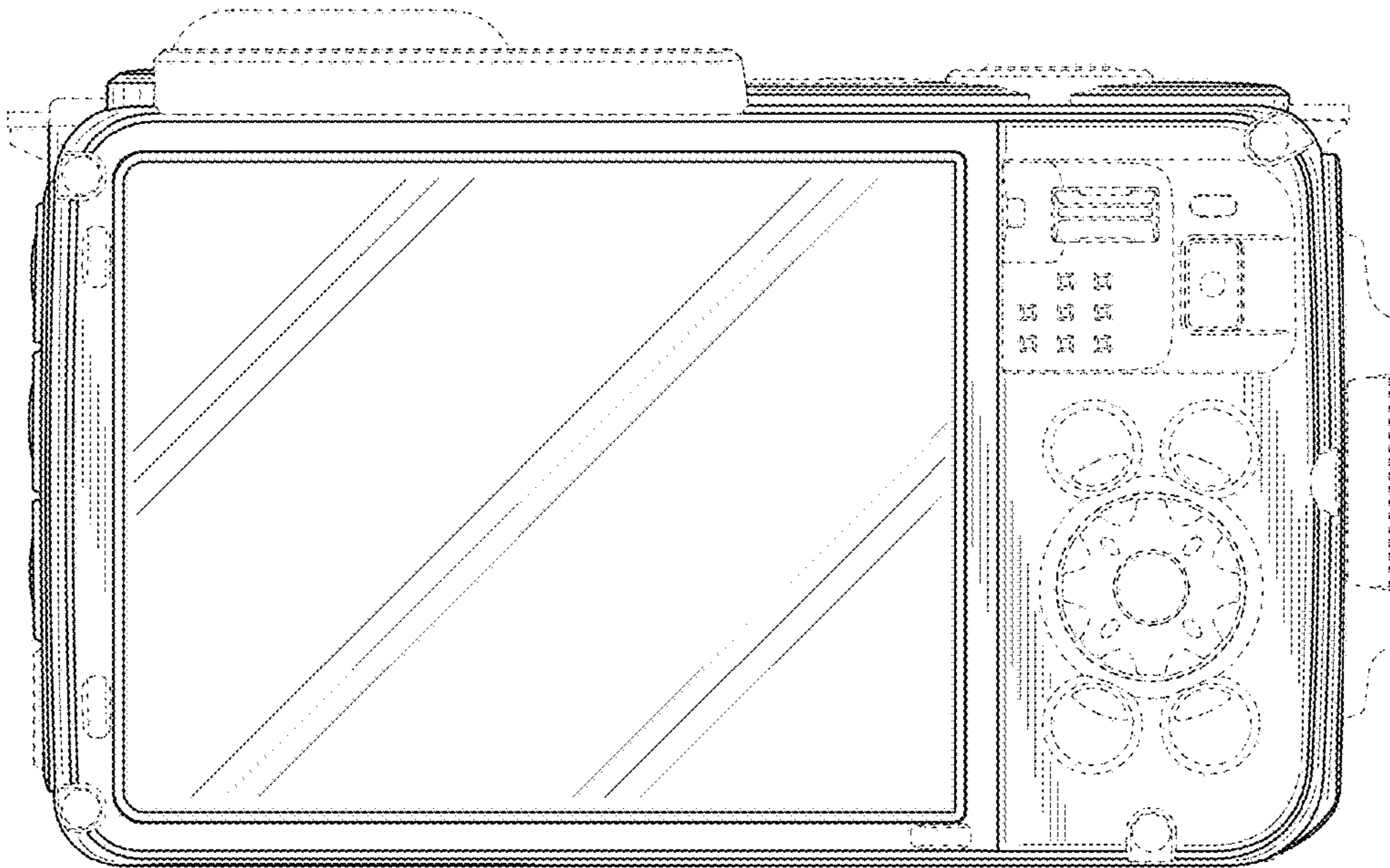


FIG. 5

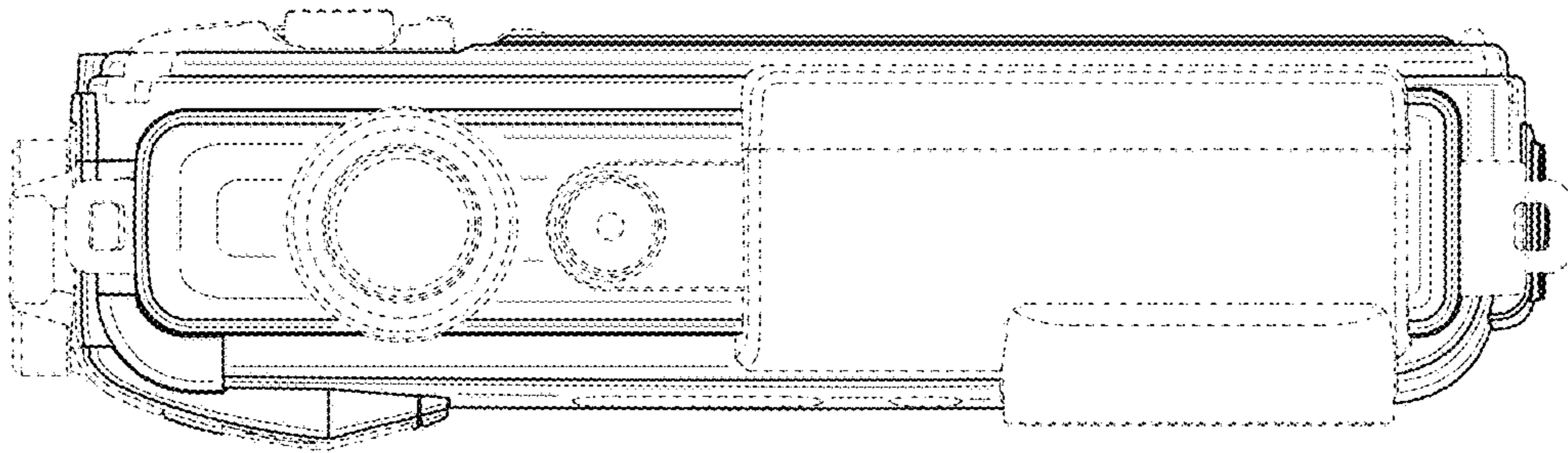


FIG. 6

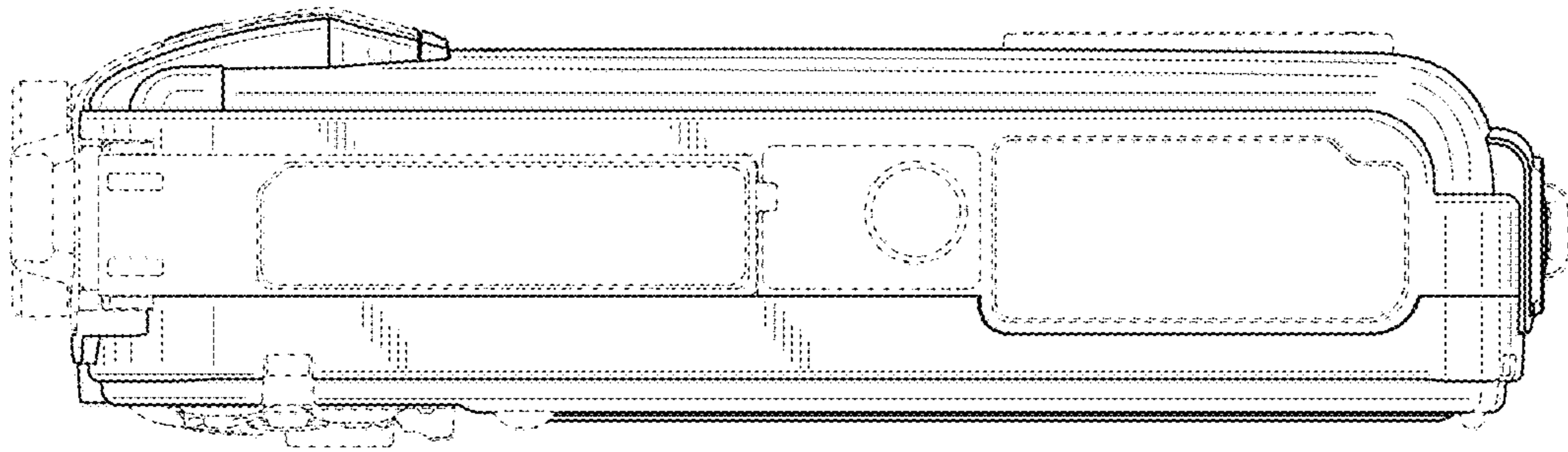


FIG. 7

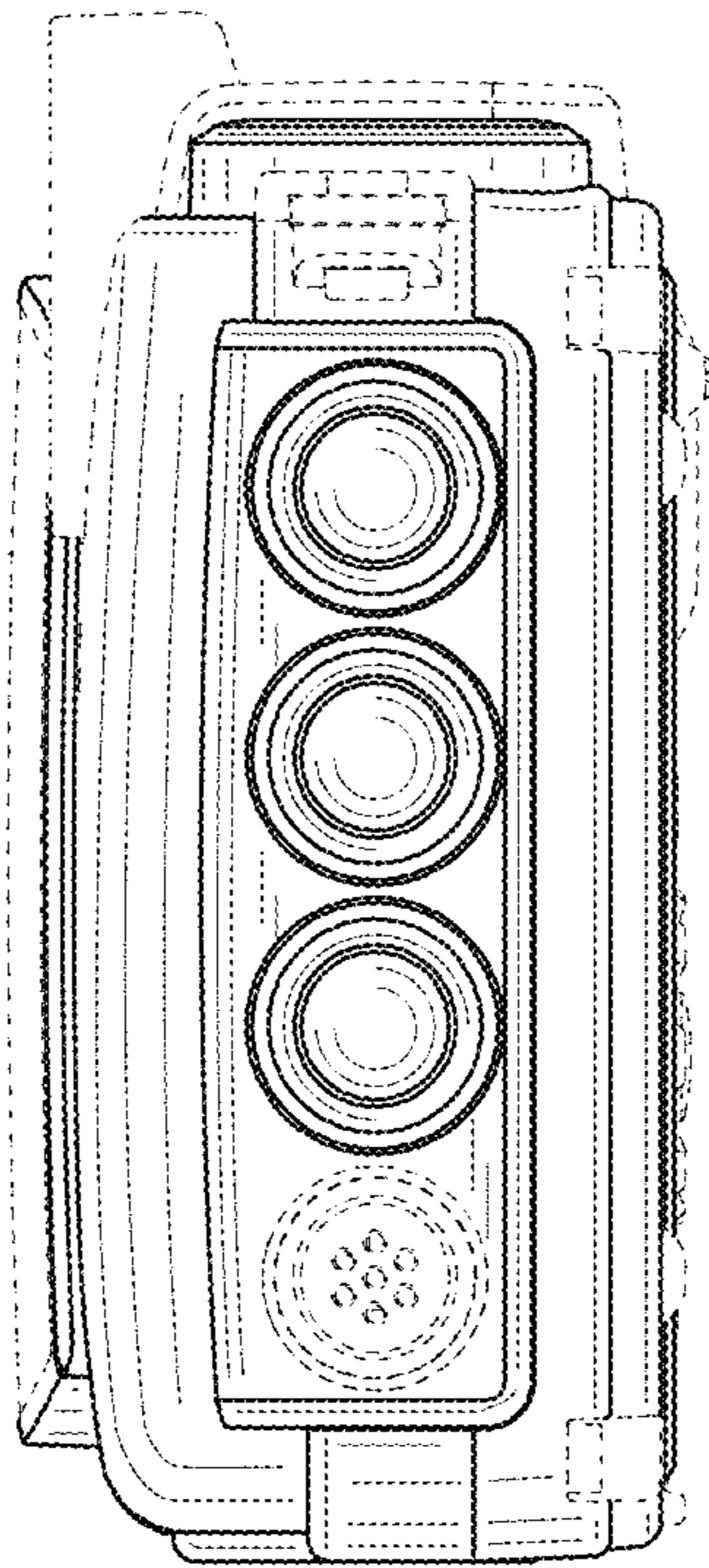


FIG. 8

