



US00D773543S

(12) **United States Design Patent**  
**Fan et al.**

(10) **Patent No.:** **US D773,543 S**

(45) **Date of Patent:** **\*\* Dec. 6, 2016**

(54) **VACUUM SEALER**

(71) Applicants: **Eric Fan**, San Leandro, CA (US); **Xiao Zheng Yang**, San Leandro, CA (US); **Gilbert Milam**, San Leandro, CA (US)

(72) Inventors: **Eric Fan**, San Leandro, CA (US); **Xiao Zheng Yang**, San Leandro, CA (US); **Gilbert Milam**, San Leandro, CA (US)

(\*\*) Term: **15 Years**

(21) Appl. No.: **29/534,000**

(22) Filed: **Jul. 24, 2015**

(51) **LOC (10) Cl.** ..... **15-09**

(52) **U.S. Cl.**  
USPC ..... **D15/146**

(58) **Field of Classification Search**  
USPC ..... D15/145, 146  
See application file for complete search history.

(56) **References Cited**

**U.S. PATENT DOCUMENTS**

D295,416 S *	4/1988	Glaberson	.....	D14/422
5,048,269 A *	9/1991	Deni	.....	B29C 66/861
				53/374.9
D342,532 S *	12/1993	Deni	.....	D15/146
5,893,822 A *	4/1999	Deni	.....	B65B 31/046
				493/256
D506,214 S *	6/2005	Zepter	.....	D15/146
6,991,109 B1 *	1/2006	Shannon	.....	B65B 31/047
				206/484
D527,182 S *	8/2006	Ham	.....	D3/274
7,204,067 B2 *	4/2007	Baptista	.....	B65B 51/146
				53/405
7,270,238 B2 *	9/2007	Shannon	.....	B65B 31/046
				206/484

D556,253 S *	11/2007	Hong	.....	D18/50
D579,938 S *	11/2008	Romanoff	.....	D14/422
7,478,516 B2 *	1/2009	Higer	.....	B65B 31/048
				53/405
7,540,127 B2 *	6/2009	Sung	.....	B65B 31/046
				53/434
D597,572 S *	8/2009	Tsai	.....	D15/146
D608,803 S *	1/2010	Hageman	.....	D15/146
D633,118 S *	2/2011	Beatty	.....	D15/146
D663,331 S *	7/2012	Day	.....	D15/146
D682,834 S *	5/2013	Ishikawa	.....	D14/422
D684,762 S *	6/2013	Cho	.....	D3/204
D694,793 S *	12/2013	Cumming	.....	D15/146
D694,794 S *	12/2013	Cumming	.....	D15/146
D706,269 S *	6/2014	Qian	.....	D14/422
9,021,771 B2 *	5/2015	Liu	.....	B65B 31/048
				53/370.7
D750,675 S *	3/2016	Fagerberg	.....	D15/146
D763,334 S *	8/2016	Yoshitomi	.....	D15/146
2005/0022480 A1 *	2/2005	Brakes	.....	B65B 31/00
				53/512

(Continued)

*Primary Examiner* — Patricia Palasik

(74) *Attorney, Agent, or Firm* — Larry D. Johnson

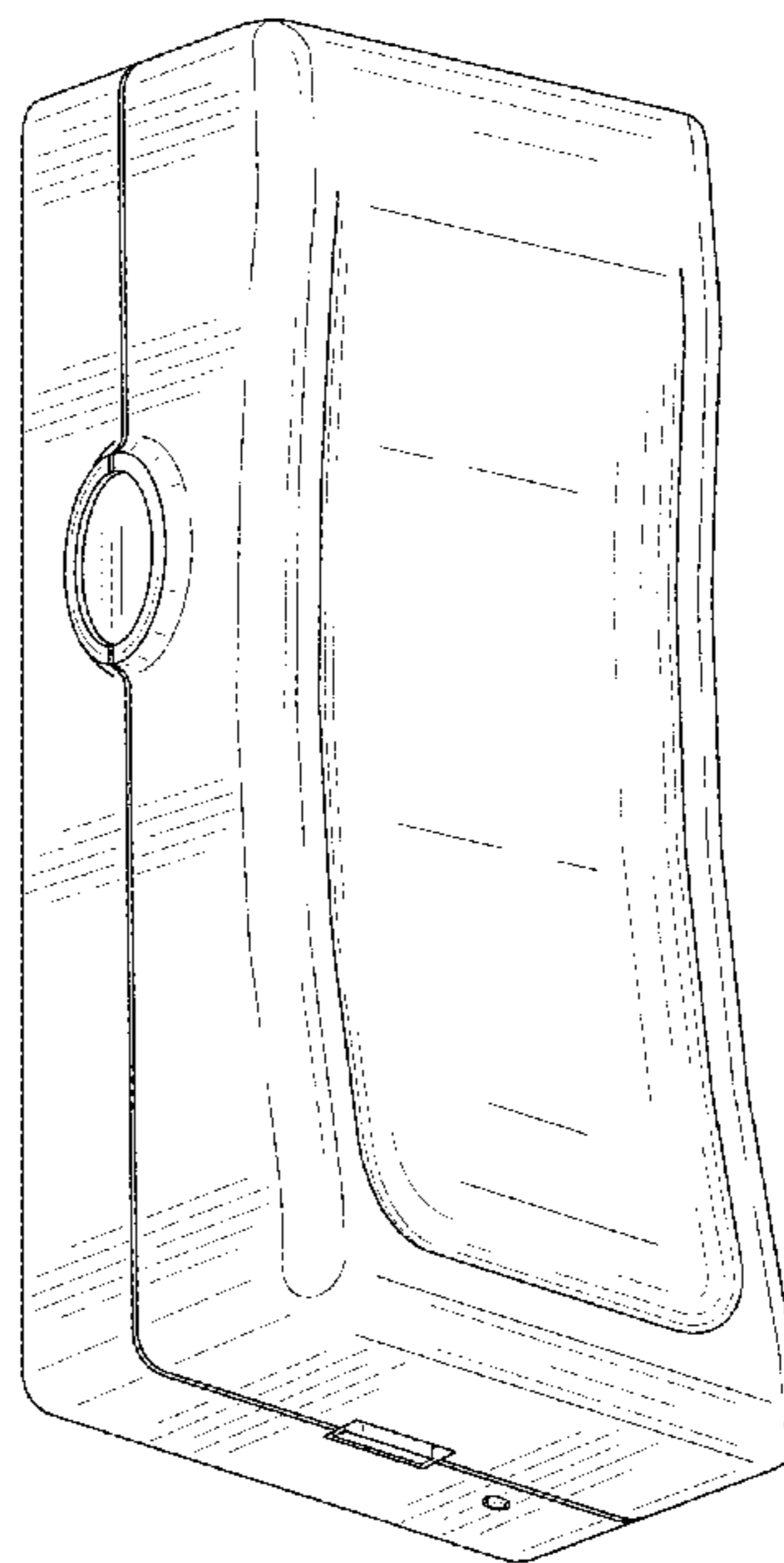
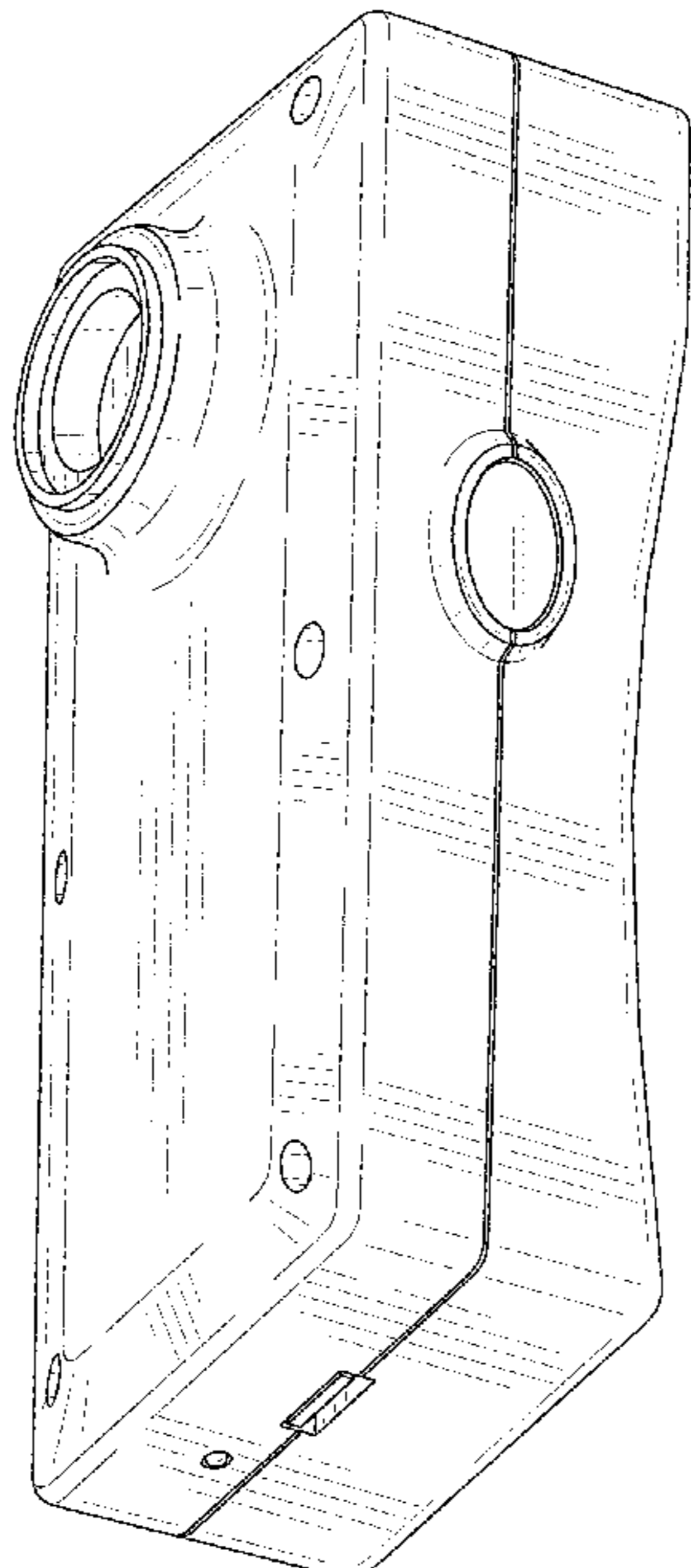
(57) **CLAIM**

The ornamental design for a vacuum sealer, as shown.

**DESCRIPTION**

FIG. 1 is a front perspective view;  
FIG. 2 is a rear perspective view thereof;  
FIG. 3 is a front elevation view thereof;  
FIG. 4 is a rear elevation view thereof;  
FIG. 5 is a left side elevation view thereof;  
FIG. 6 is a right side elevation view thereof;  
FIG. 7 is a top view thereof; and,  
FIG. 8 is a bottom view thereof.

**1 Claim, 6 Drawing Sheets**



(56)

**References Cited**

U.S. PATENT DOCUMENTS

2006/0151120 A1\* 7/2006 Matlin ..... B32B 37/0046  
156/583.1  
2012/0060447 A1\* 3/2012 Liu ..... B65B 31/048  
53/434

\* cited by examiner

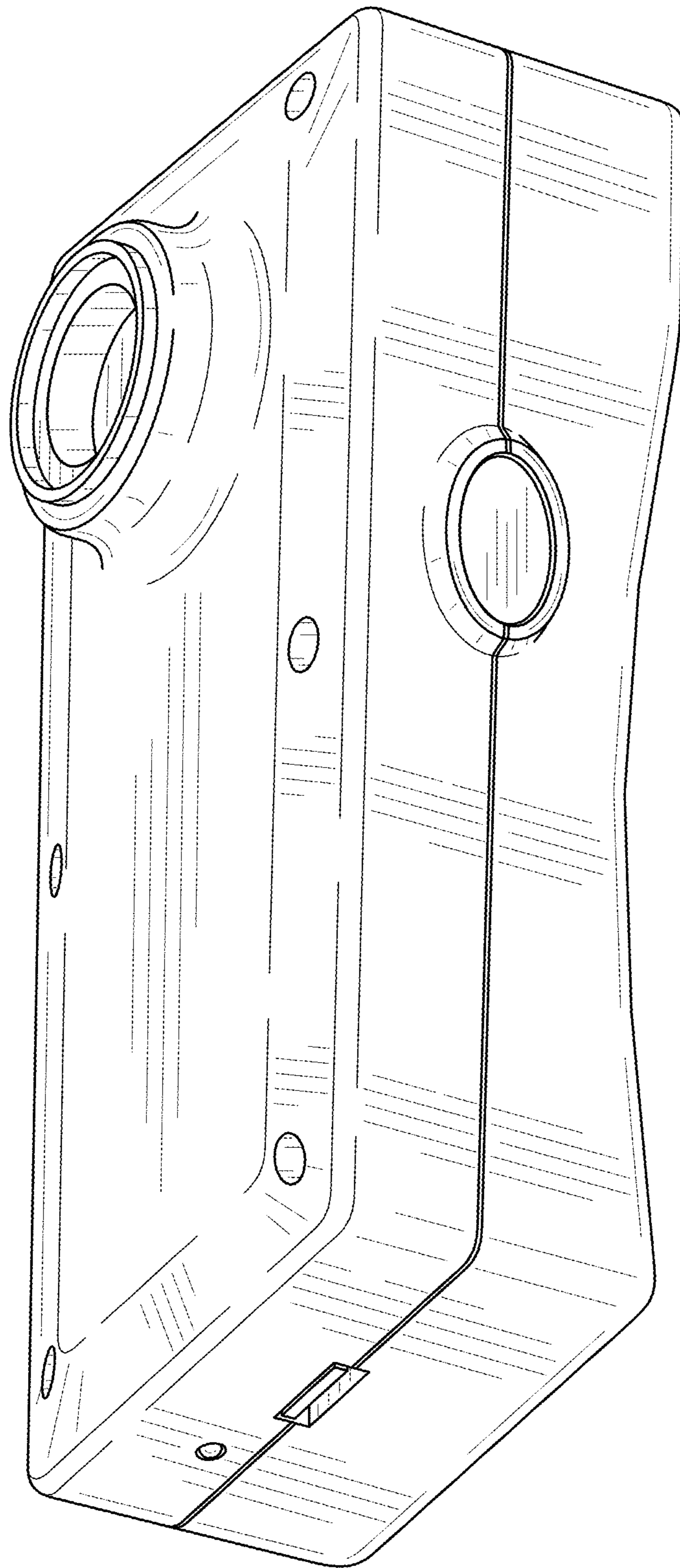
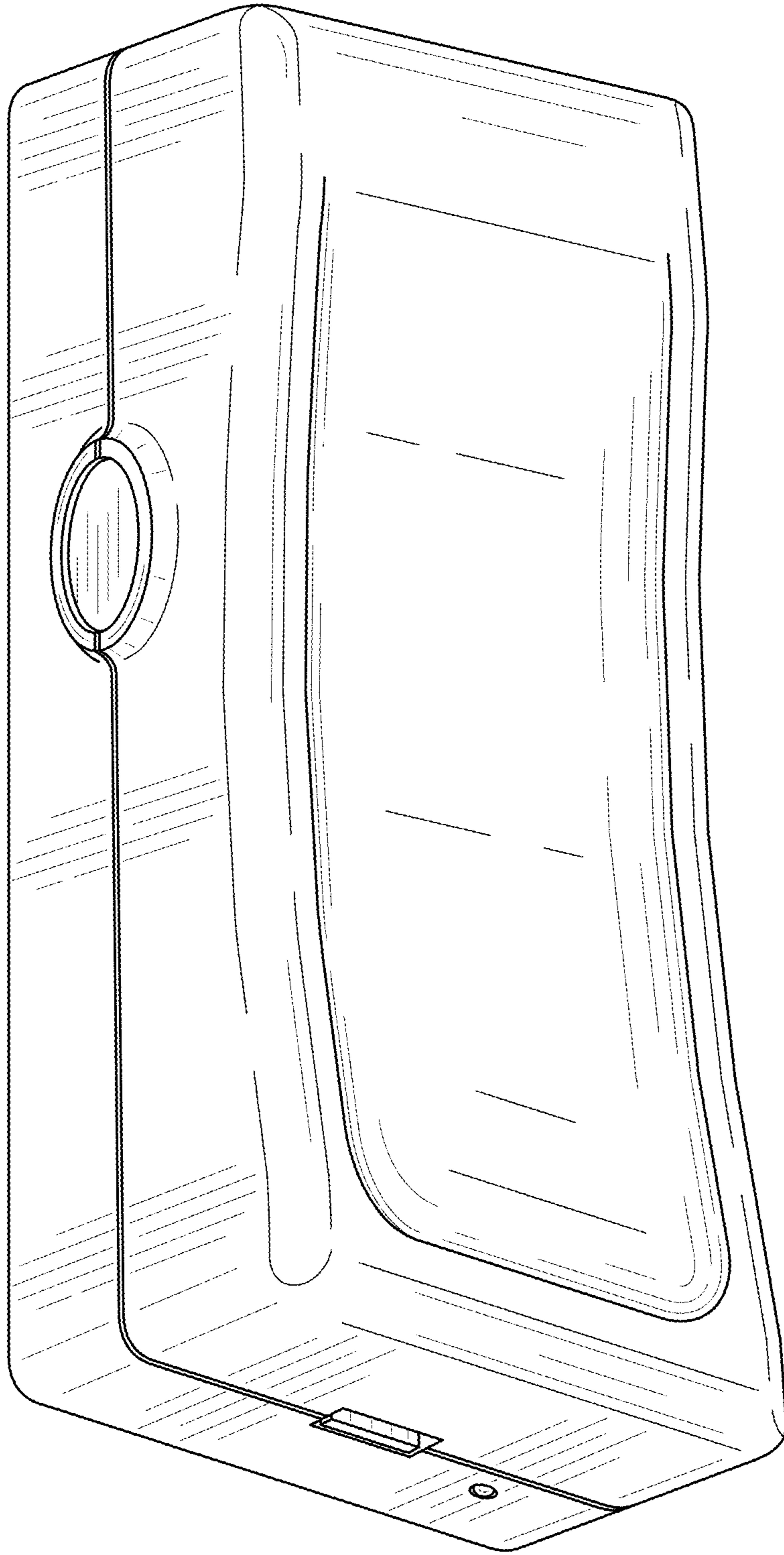
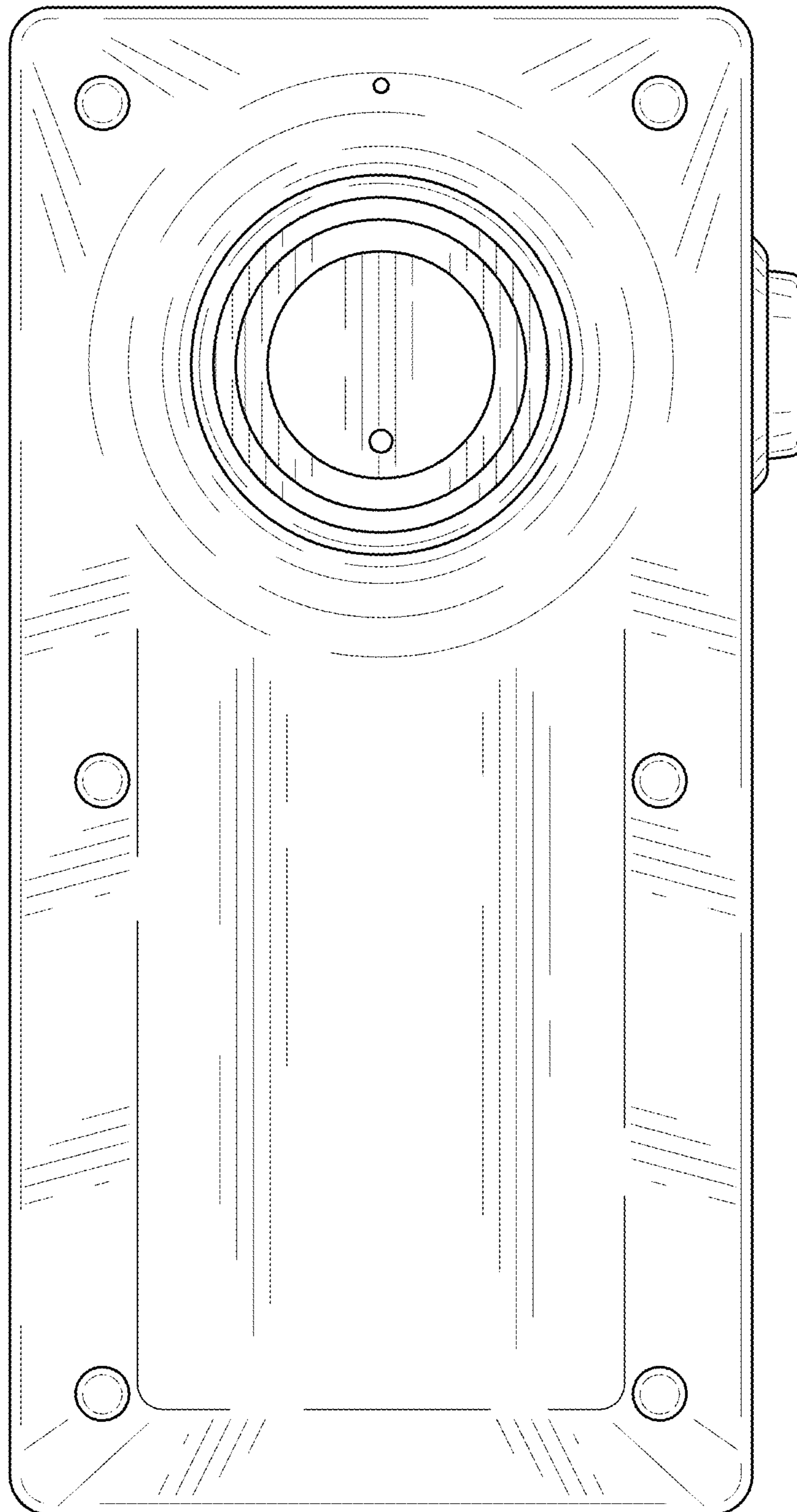


FIG. 1

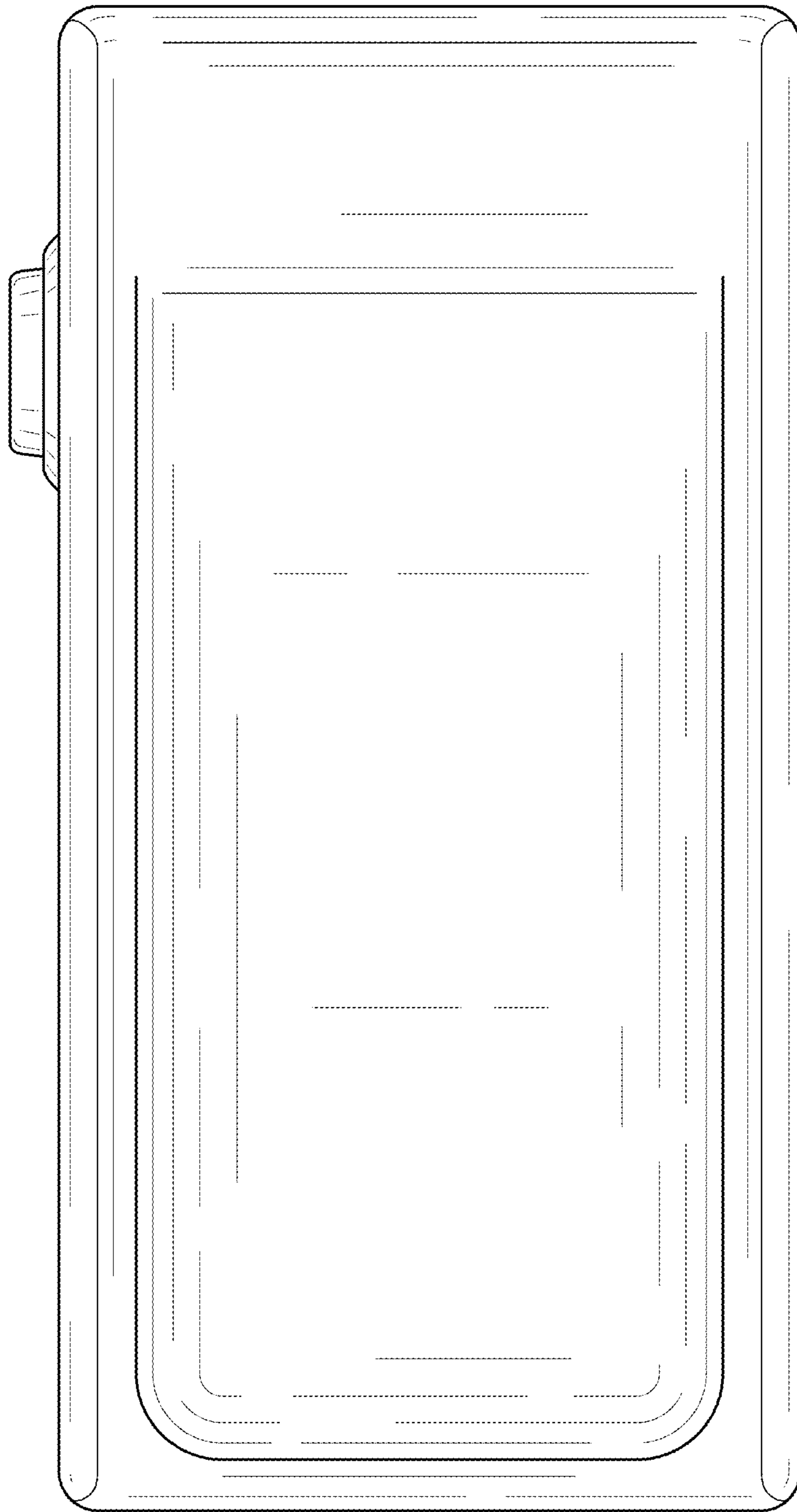


**FIG. 2**

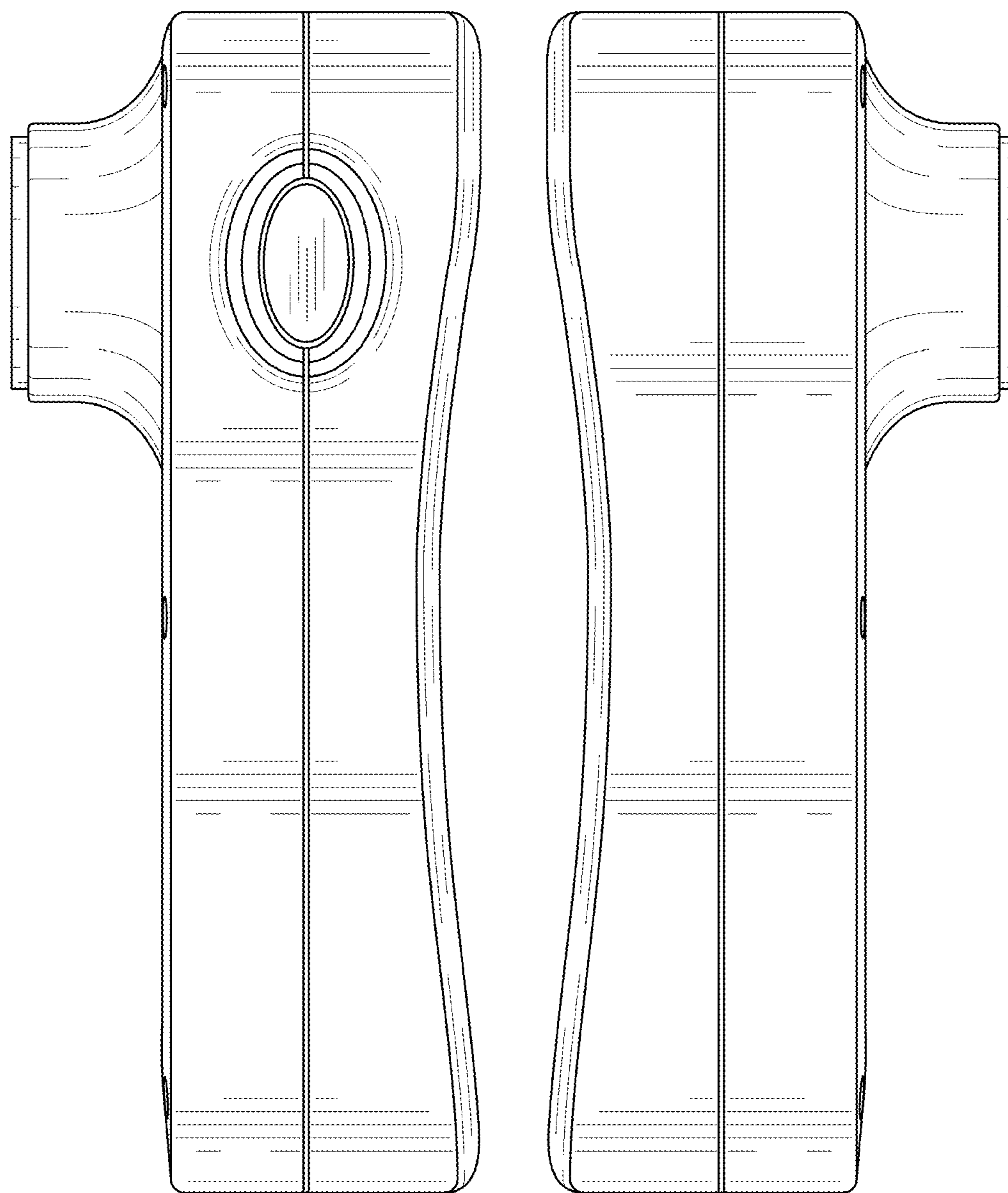




**FIG. 3**

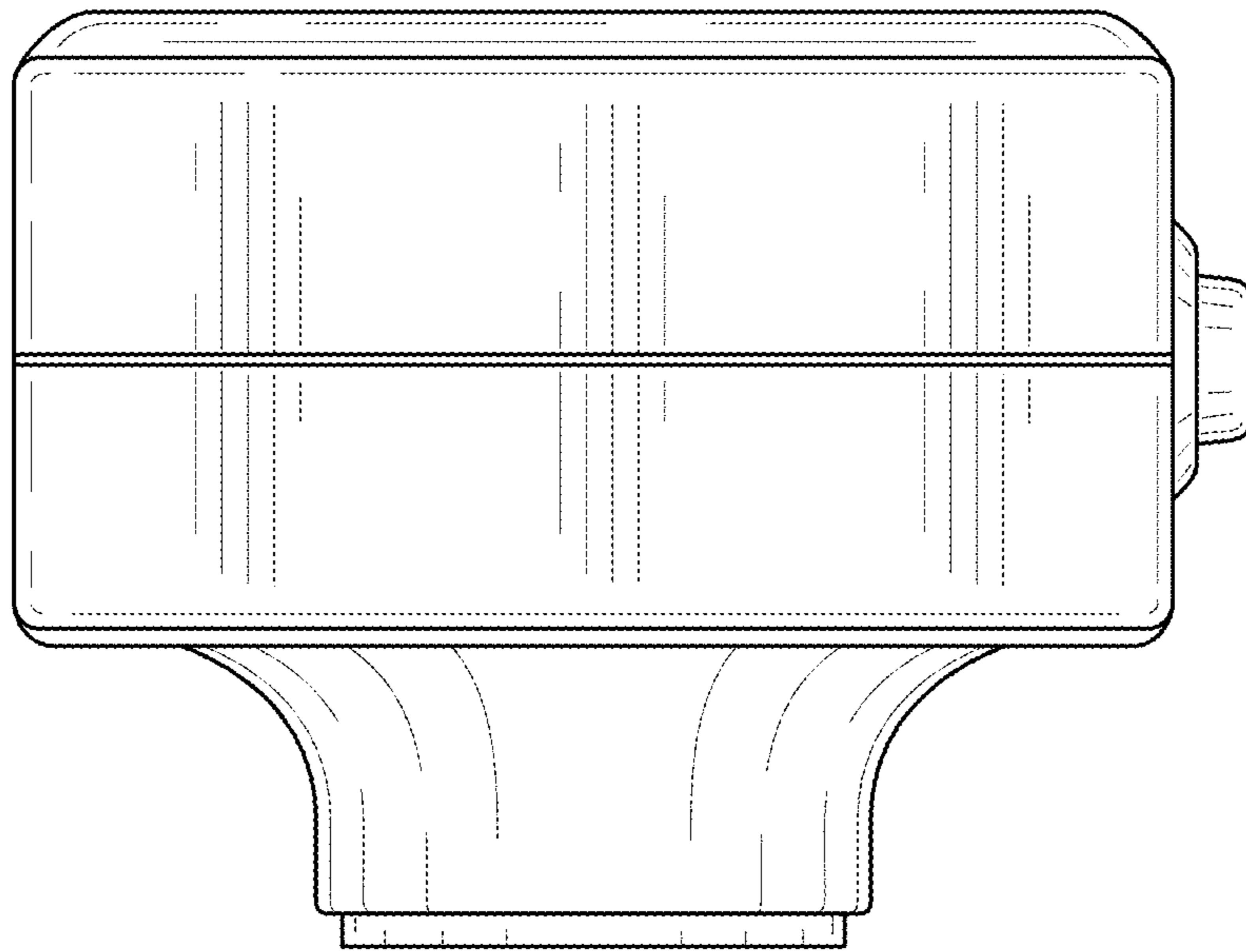


**FIG. 4**

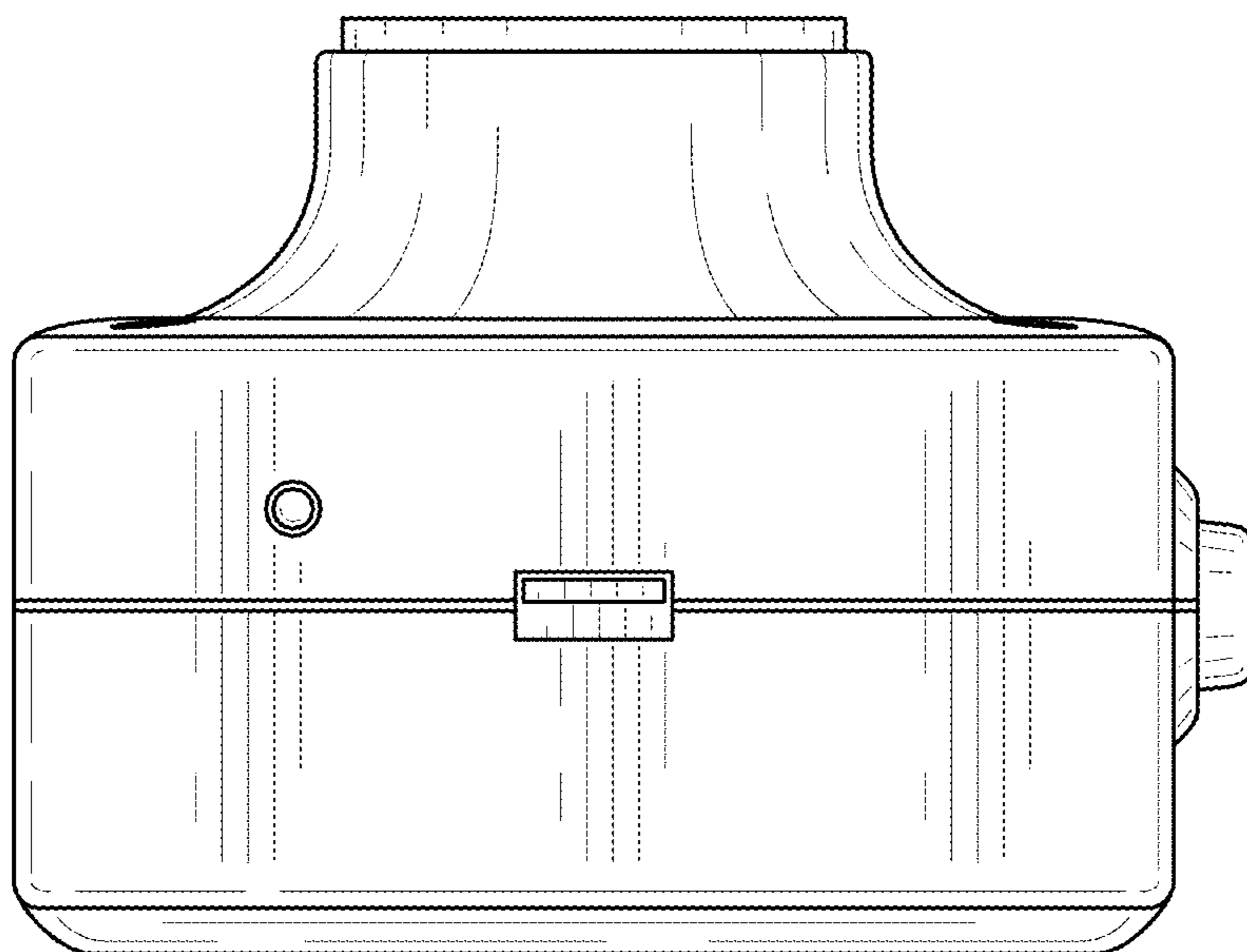


**FIG. 5**

**FIG. 6**



**FIG. 7**



**FIG. 8**