



US00D773542S

(12) **United States Design Patent** (10) **Patent No.:** **US D773,542 S**
Nash (45) **Date of Patent:** **** Dec. 6, 2016**

- (54) **SLURRY SAND BLASTING POT** 5,325,639 A 7/1994 Kuboyama et al.
- (71) Applicant: **Greener Blast Technologies, Inc.,** 5,575,705 A 11/1996 Yam
Tyngsborough, MA (US) 5,827,114 A 10/1998 Yam et al.
- (72) Inventor: **Robert F. Nash,** Tyngsborough, MA 6,582,442 B2 6/2003 Kalarney
(US) D552,637 S 10/2007 Dore
D614,213 S 4/2010 Martinez
7,707,961 B2 5/2010 Alexander et al.
- (73) Assignee: **Greener Blast Technologies, Inc.,** 8,066,549 B2 11/2011 Voges
Tyngsboro, MA (US) 8,074,331 B2 12/2011 Voges
D669,922 S 10/2012 Eliason
D706,317 S 6/2014 Eliason
8,764,513 B1 7/2014 Spears
D747,375 S * 1/2016 Nash D15/124
- (**) Term: **15 Years** 2008/0287039 A1 11/2008 Connelly
2011/0053464 A1 3/2011 Fowler, III
2012/0015592 A1 1/2012 Eliason
- (21) Appl. No.: **29/558,119**
- (22) Filed: **Mar. 15, 2016**

FOREIGN PATENT DOCUMENTS

WO 2015042032 A1 3/2015

* cited by examiner

Primary Examiner — Patricia Palasik

(57) **CLAIM**

The ornamental design for a slurry sand blasting pot, as shown and described.

DESCRIPTION

FIG. 1 is a perspective view of the slurry sand blasting pot; FIG. 2 is a top view of the slurry sand blasting pot; FIG. 3 is a back view of the slurry sand blasting pot; FIG. 4 is a front side view of the slurry sand blasting pot; FIG. 5 is a bottom view of the slurry sand blasting pot; FIG. 6 is a left side view of the slurry sand blasting pot; and, FIG. 7 is a right side view of the slurry sand blasting pot. The broken lines shown in the drawings of the pot are provided merely for the purpose of illustrating environmental structure and form no part of the claimed design.

1 Claim, 4 Drawing Sheets

Related U.S. Application Data

- (63) Continuation-in-part of application No. PCT/US2014/055825, filed on Sep. 16, 2014.
- (51) **LOC (10) Cl.** **15-09**
- (52) **U.S. Cl.**
USPC **D15/124**
- (58) **Field of Classification Search**
USPC D15/122, 124; 451/39, 99
CPC A61C 8/00; B01F 3/04539; B05B 9/002;
B24C 1/02; B24C 1/086; B24C 7/00;
B24C 7/0046; B24C 9/006; Y10T
137/86879
See application file for complete search history.

(56) **References Cited**

U.S. PATENT DOCUMENTS

- 1,877,255 A 9/1932 Sammis
- 2,825,542 A 3/1958 Jackson
- D223,510 S 4/1972 Racca et al.
- 4,439,073 A 3/1984 White
- 5,024,029 A 6/1991 Abbott et al.
- 5,135,394 A 8/1992 Hakamatsuka et al.

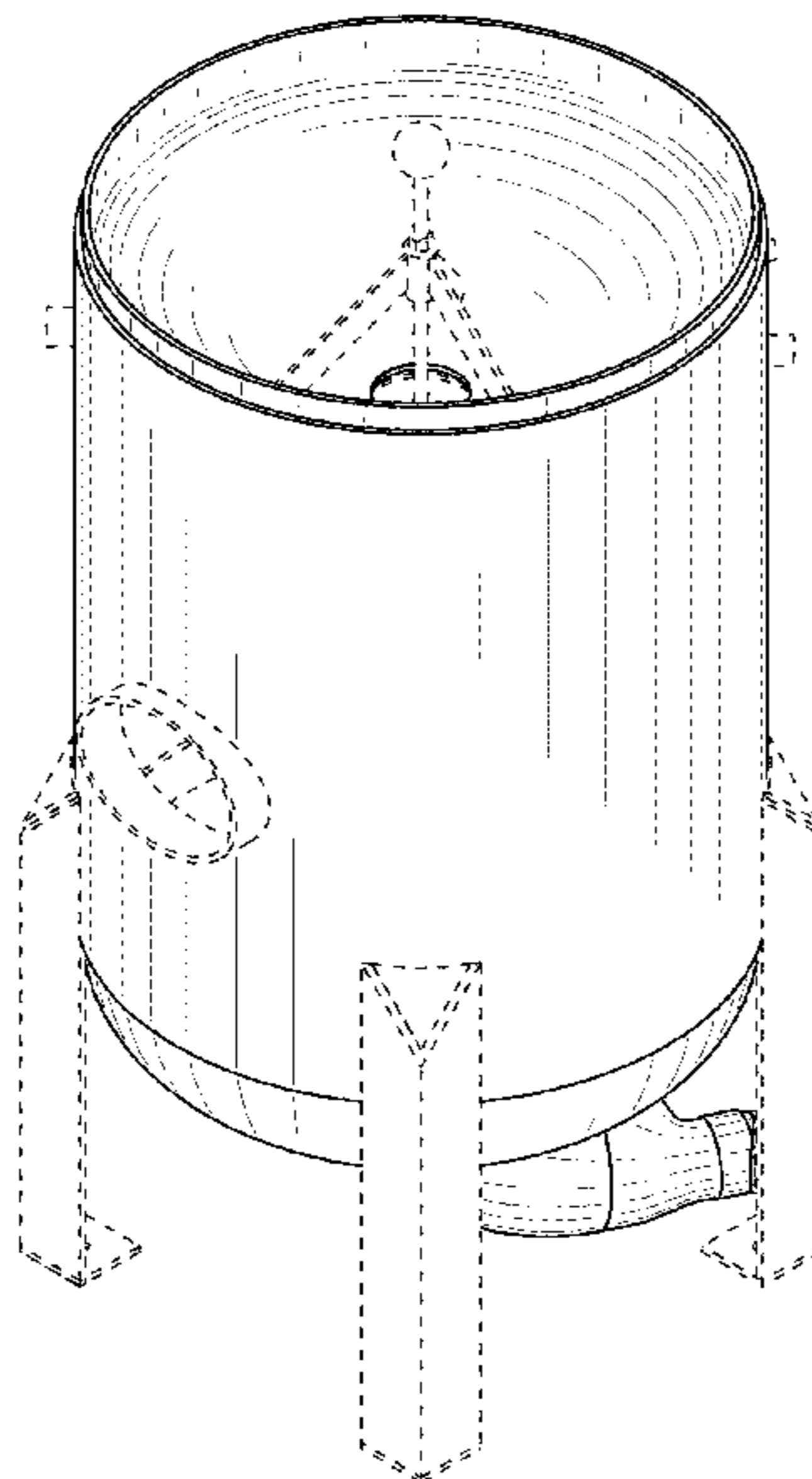


FIG. 1

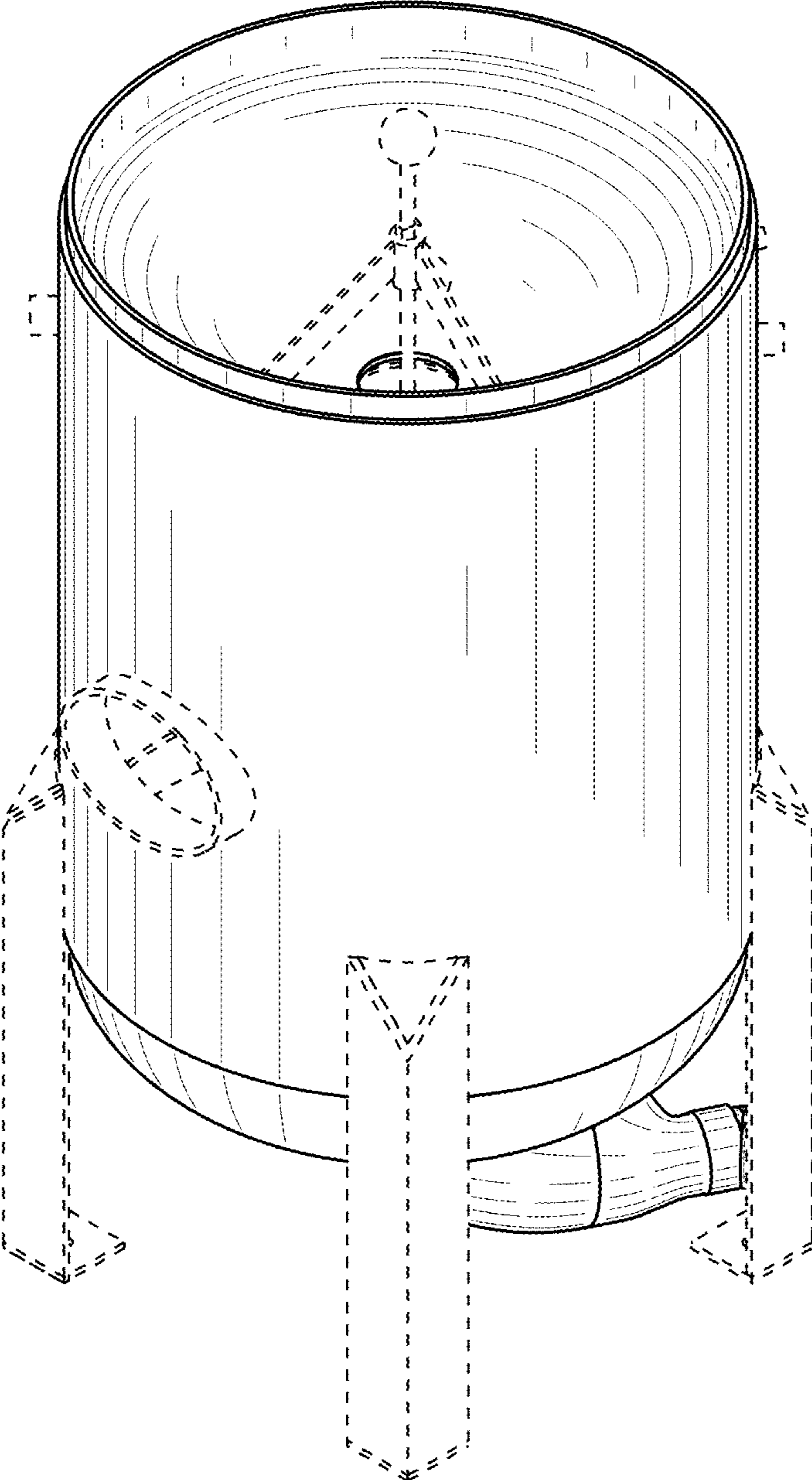


FIG. 2

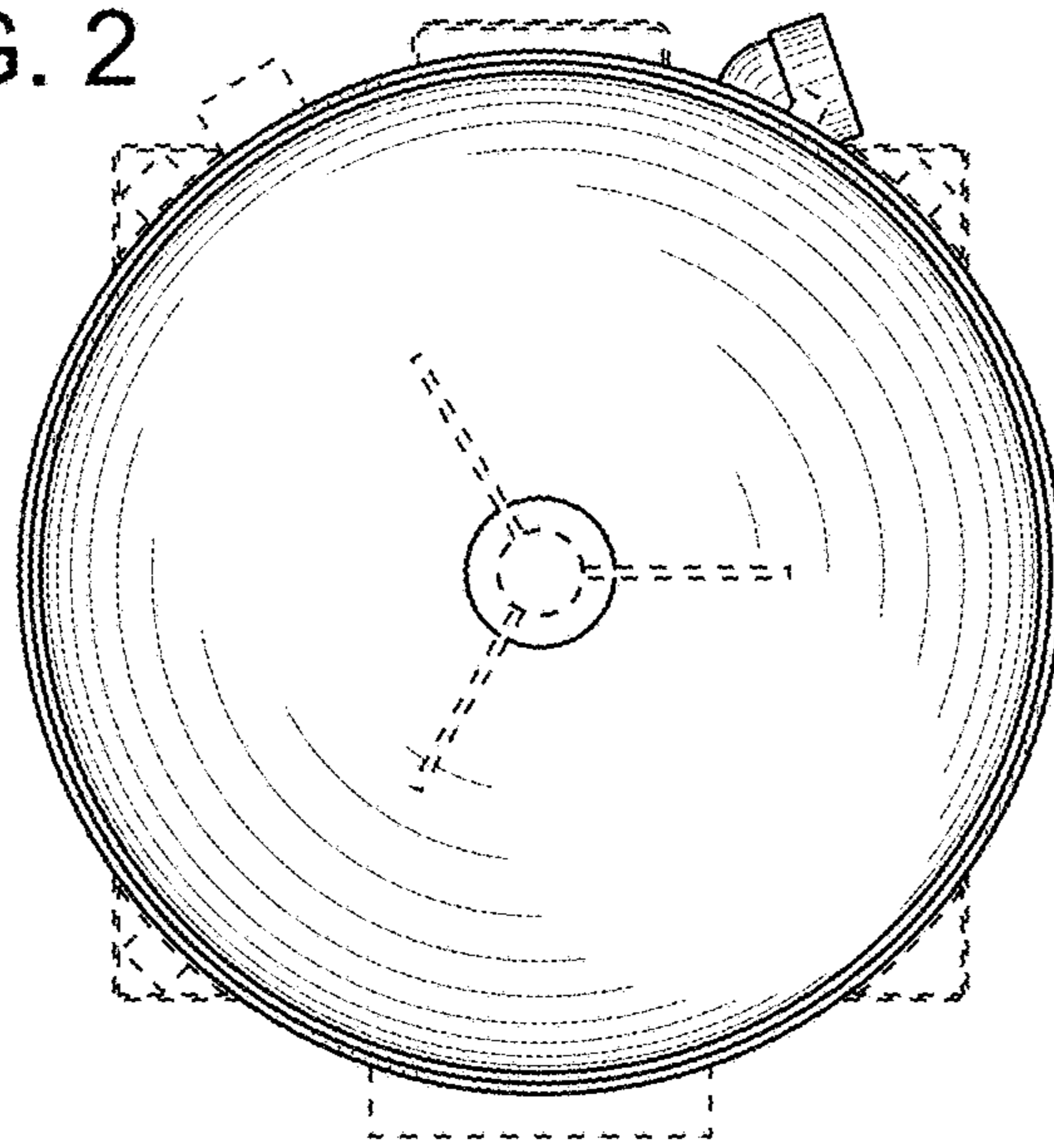


FIG. 3

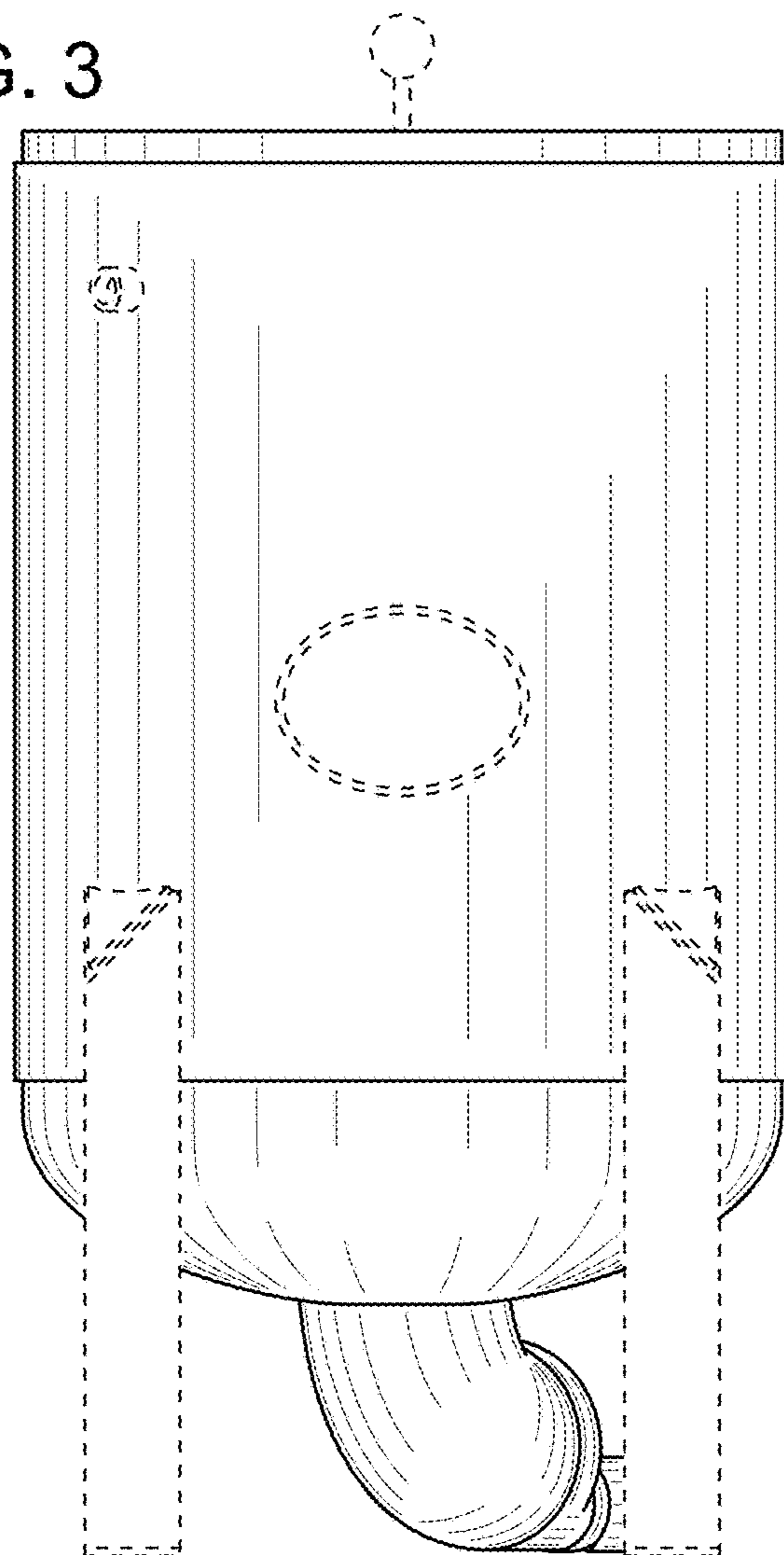


FIG. 4

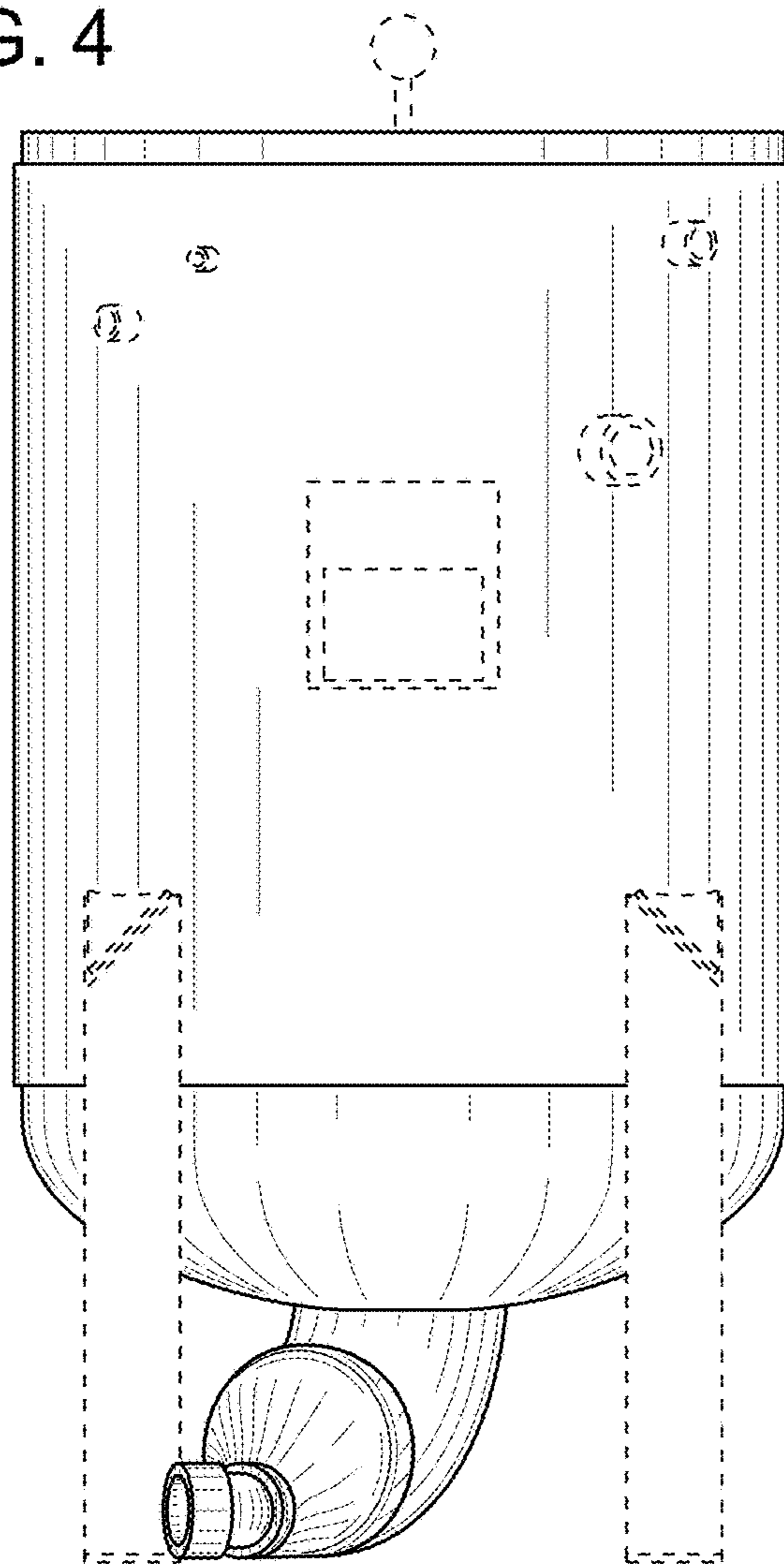


FIG. 5

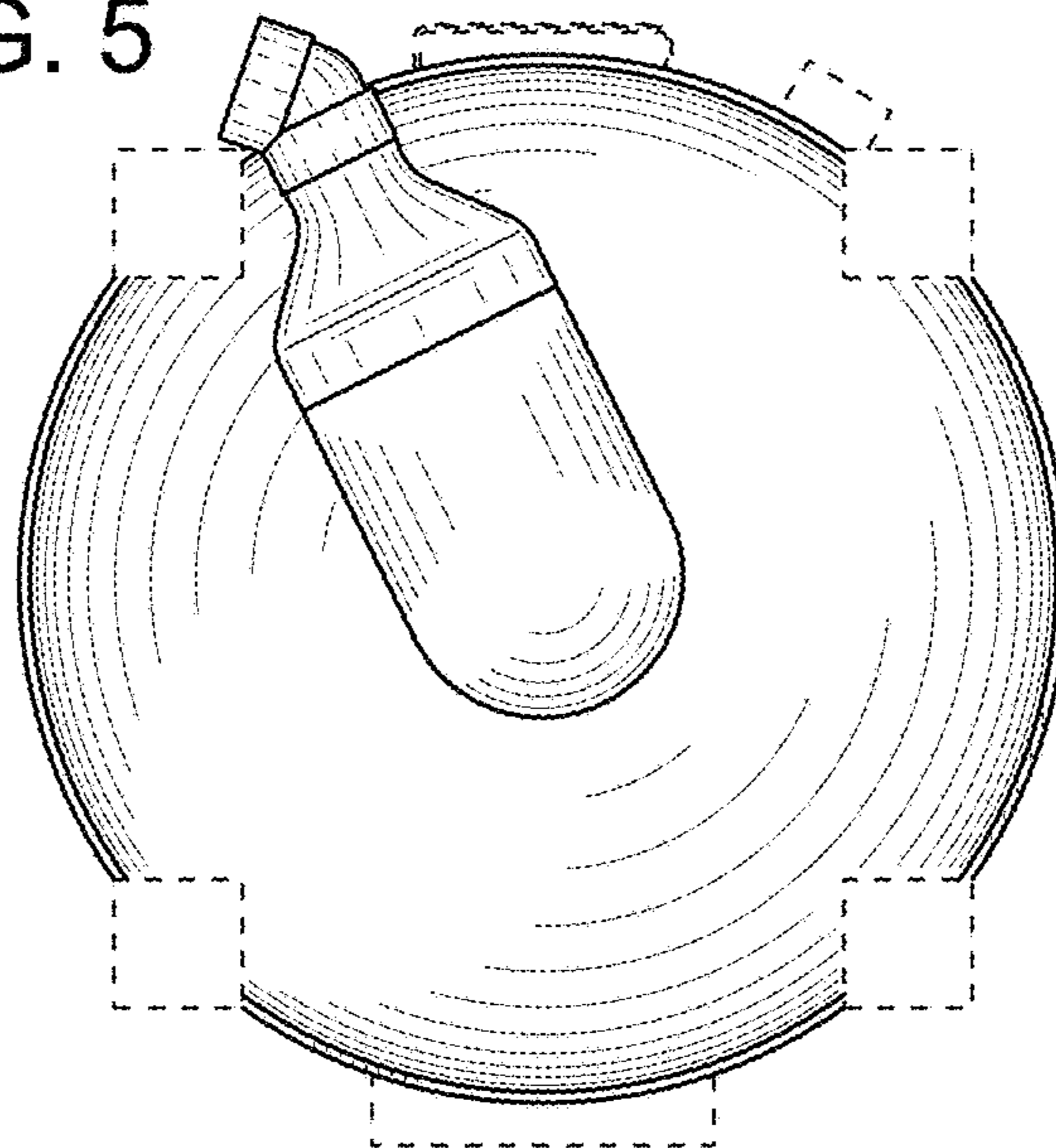


FIG. 7

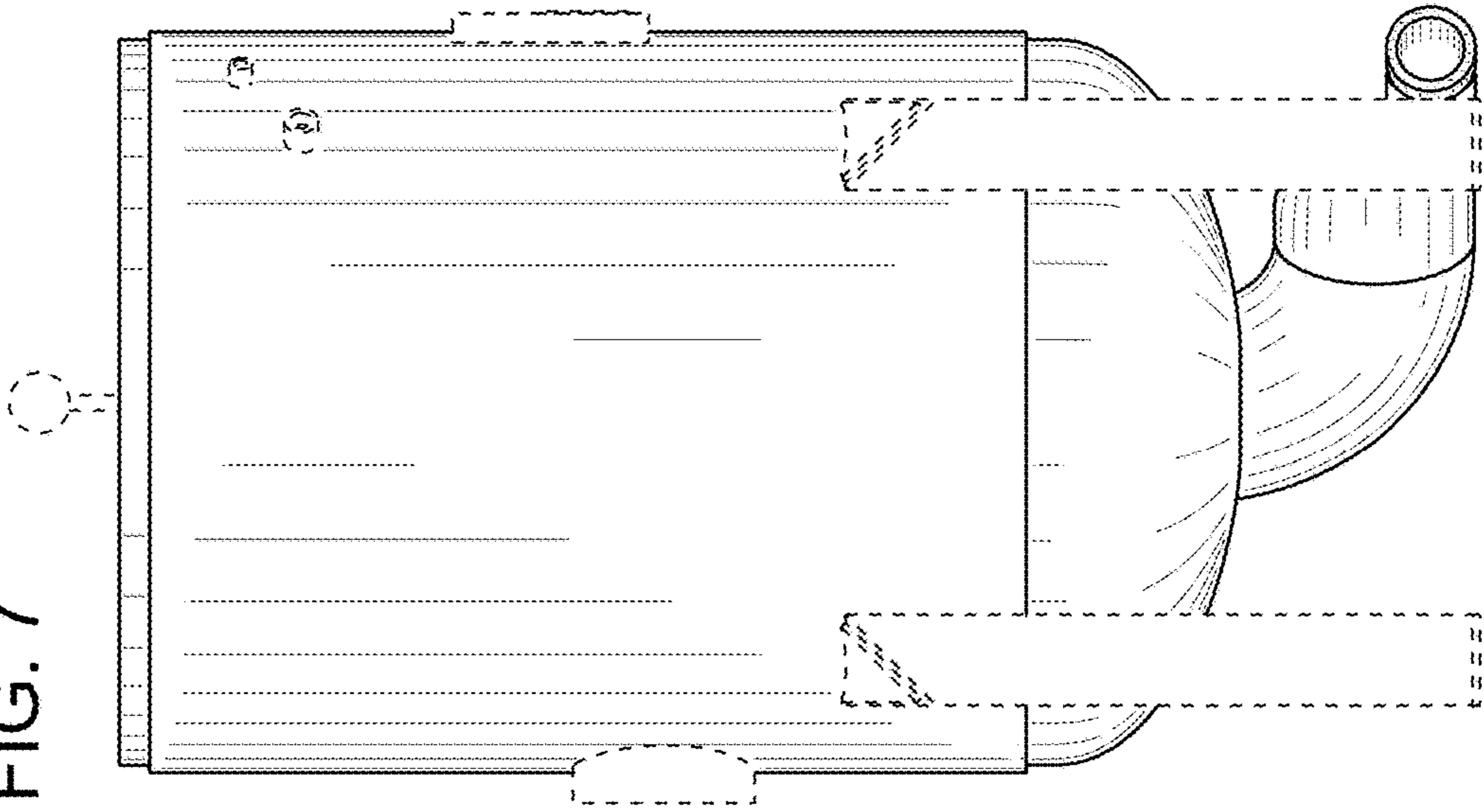


FIG. 6

