



US00D773540S

(12) **United States Design Patent** (10) **Patent No.:** **US D773,540 S**
Heck et al. (45) **Date of Patent:** **** Dec. 6, 2016**

(54) **DRAWER**

(71) Applicant: **Samsung Electronics Co., Ltd.**,
Suwon-si, Gyeonggi-do (KR)
(72) Inventors: **Felix Heck**, London (GB); **Ju-Suek Lee**, London (GB); **Yu-Na Oh**, London (GB)

(73) Assignee: **SAMSUNG ELECTRONICS CO., LTD.**, Suwon-Si, Gyeonggi-Do (KR)

(**) Term: **14 Years**

(21) Appl. No.: **29/520,898**

(22) Filed: **Mar. 18, 2015**

(30) **Foreign Application Priority Data**

Sep. 19, 2014 (KR) 30-2014-0045544

(51) **LOC (10) Cl.** **15-07**

(52) **U.S. Cl.**
USPC **D15/89**

(58) **Field of Classification Search**
USPC D15/79, 80, 82, 89, 90, 199
CPC F25B 21/02; F25B 2321/02; F25B 1/005; F25B 2321/0252; F25B 1/00; F25B 1/10; F25B 21/04; F25B 2339/047; F25B 5/02; F25B 7/00; F25B 13/00; F25B 1/053; F25B 2309/06; F25B 2321/021; F25B 2321/023; F25D 23/028; F25D 23/02; F25D 25/025; F25D 23/00; F25D 2323/021; F25D 11/00; F25D 2323/024; F25D 23/04; F25D 29/00; F25D 25/02; F25D 25/024; F25D 27/005; F25D 23/12; F25D 29/005; F25D 17/042; F25D 2325/021

See application file for complete search history.

(56) **References Cited**

U.S. PATENT DOCUMENTS

D591,314 S * 4/2009 Baacke D15/89
D694,289 S * 11/2013 Hottmann D15/89
D734,784 S * 7/2015 Kim D15/89
D747,369 S * 1/2016 McConnell D15/89
D754,759 S * 4/2016 McConnell D15/89

FOREIGN PATENT DOCUMENTS

KR 300483076 1/2007
KR 300437873 3/2008

OTHER PUBLICATIONS

B1_LG_1_Fridge_Vegetable_Tray <http://www.appliancespares.co.za/11363/lg%20fridge%20vegetable%20tray.aspx>.
KR300437873_Translation.
KR300483076_Translation.

* cited by examiner

Primary Examiner — Ian Simmons
Assistant Examiner — Khawaja Anwar
(74) *Attorney, Agent, or Firm* — Ladas & Parry LLP

(57) **CLAIM**

The ornamental design for drawer, as shown and described.

DESCRIPTION

FIG. 1 is a front perspective view of drawer showing our new design;
FIG. 2 is a front view thereof;
FIG. 3 is a rear view thereof;
FIG. 4 is a left-side view thereof;
FIG. 5 is a right-side view thereof;
FIG. 6 is a top plan view thereof; and,
FIG. 7 is a bottom plan view thereof.
The broken lines are for environmental purposes only and form no part of the claimed design.

1 Claim, 5 Drawing Sheets

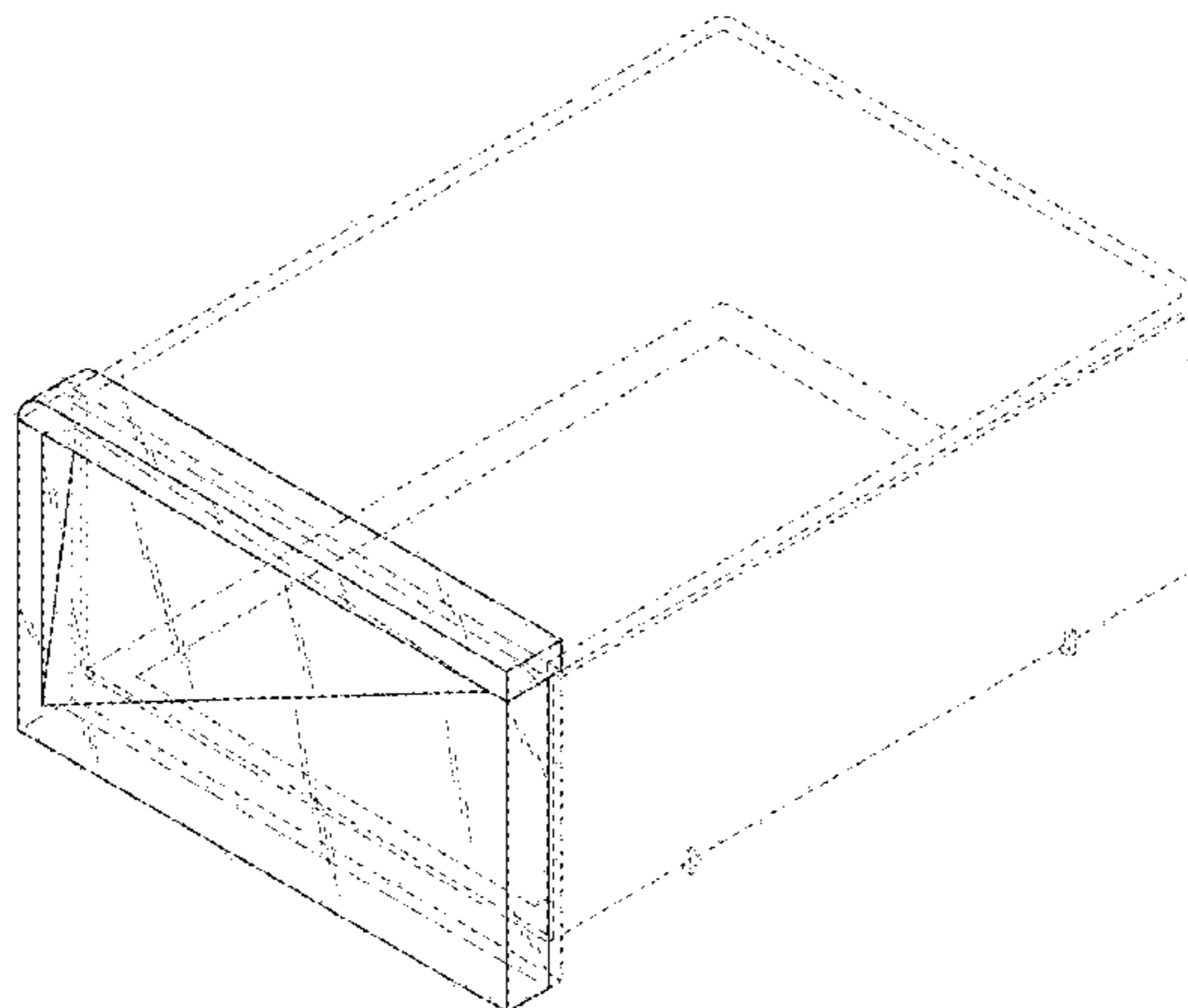


FIG. 1

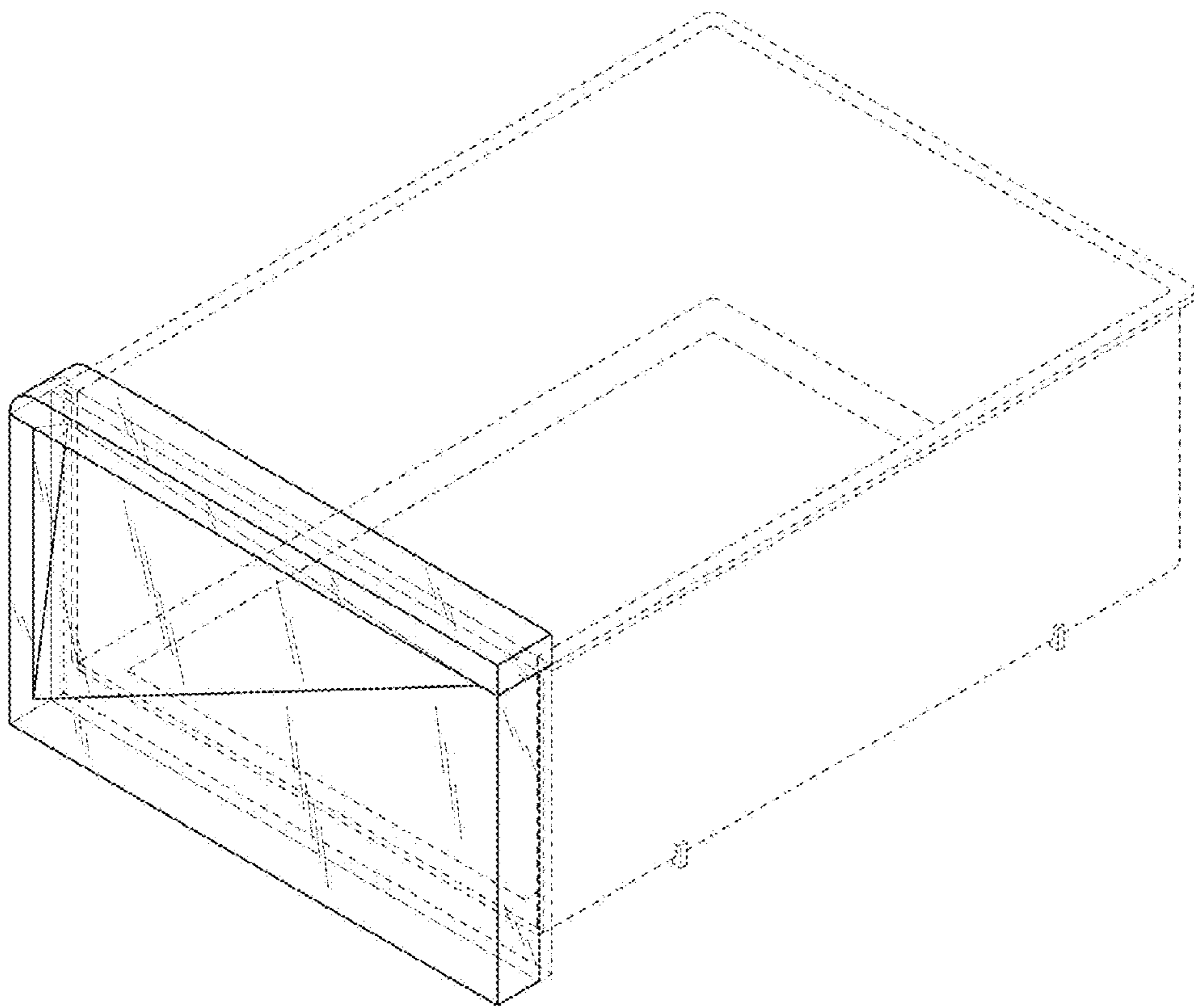


FIG. 2

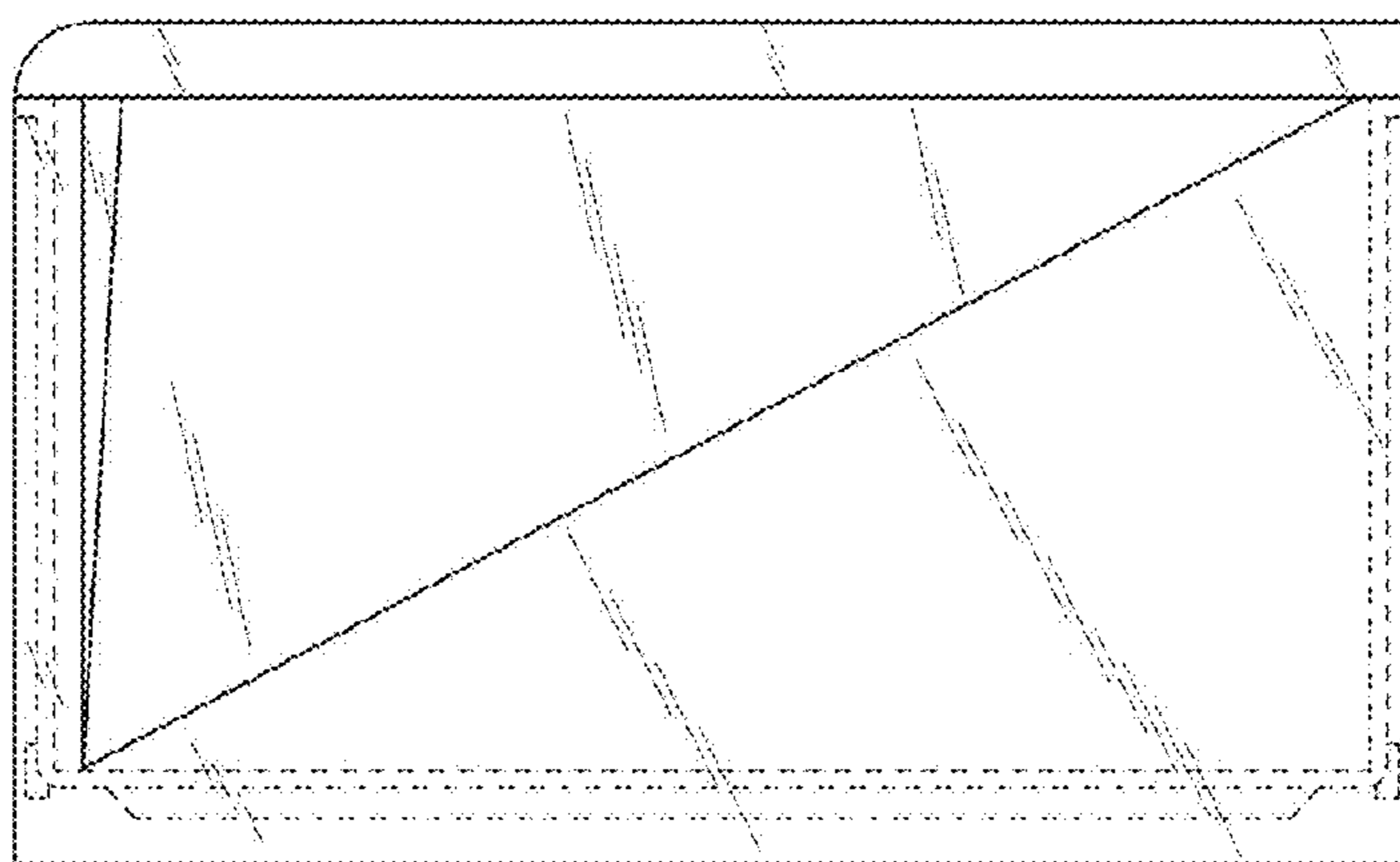


FIG. 3



FIG. 4

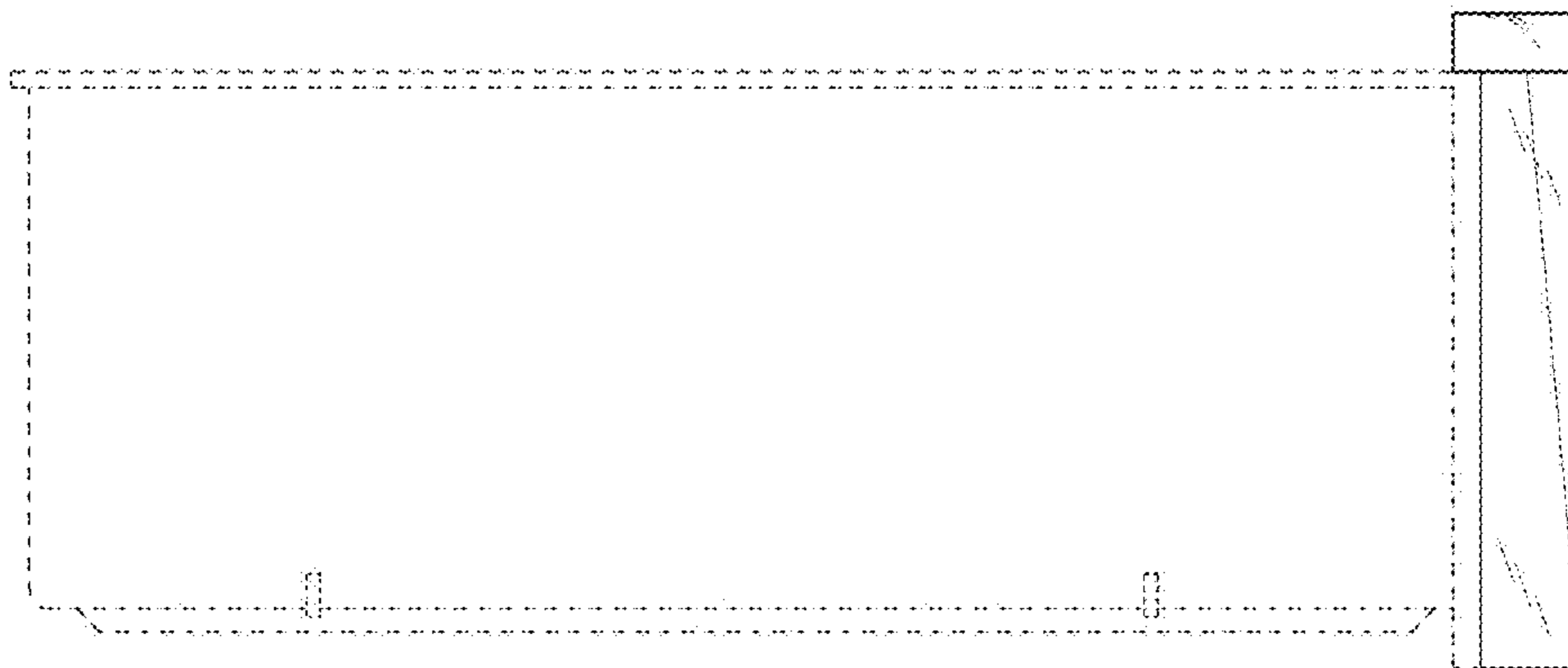


FIG. 5

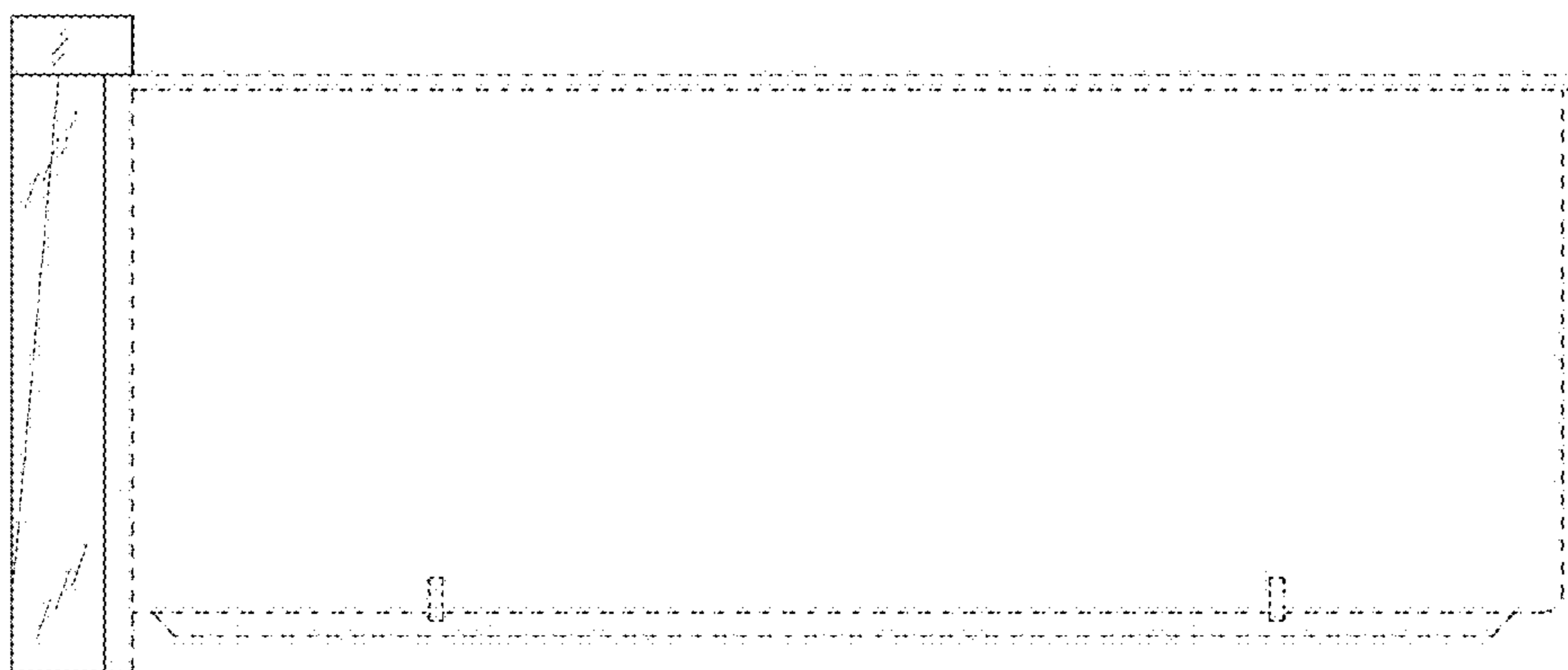


FIG. 6



FIG. 7

