



US00D773537S

(12) **United States Design Patent**
Fiser et al.

(10) **Patent No.:** **US D773,537 S**

(45) **Date of Patent:** **** Dec. 6, 2016**

(54) **EXCAVATOR BODY AND CAB EXTERIOR**

(71) Applicant: **Clark Equipment Company**, West Fargo, ND (US)

(72) Inventors: **Jaroslav Fiser**, Pribram (CZ); **Petr Kratochvil**, Pribram (CZ); **Karel Vanek**, Mnisek pod Brdy (CZ)

(73) Assignee: **Clark Equipment Company**, West Fargo, ND (US)

(**) Term: **15 Years**

(21) Appl. No.: **29/543,057**

(22) Filed: **Oct. 20, 2015**

(51) **LOC (10) Cl.** **15-03**

(52) **U.S. Cl.**
USPC **D15/30**

(58) **Field of Classification Search**

USPC D15/10, 22-26, 28, 30, 31, 33; 180/89.1, 180/89.12, 89.13, 900, 9.1, 9.2, 9.62; 414/694, 414/699, 722-724, 660, 685, 698, 719, 743; 37/379

CPC E02F 9/163; E02F 9/0886; E02F 9/18; E02F 3/32; E02F 3/76; E02F 3/40; F01N 13/001; F01N 2590/08

See application file for complete search history.

(56) **References Cited**

U.S. PATENT DOCUMENTS

D481,044 S	*	10/2003	Tokach	D15/30
D487,575 S	*	3/2004	Wetzel	D15/33
D494,986 S	*	8/2004	Tokach	D15/30
D506,211 S	*	6/2005	Kuwae	D15/33
D508,498 S	*	8/2005	Shimokakiuchi	D15/24
D509,514 S	*	9/2005	Shimokakiuchi	D15/24
D538,305 S	*	3/2007	Smith	D15/30
D562,354 S	*	2/2008	Imashige	D15/28
D582,946 S	*	12/2008	Ochi	D15/28
D590,847 S	*	4/2009	Yonekura	D15/25

D591,773 S	*	5/2009	Ueta	D15/22
D593,137 S	*	5/2009	Ueta	D15/28
D594,037 S	*	6/2009	Uemura	D15/30
D607,904 S	*	1/2010	Reisenauer	D15/30
D631,067 S	*	1/2011	Nishimura	D15/22
D635,592 S	*	4/2011	Shimomura	D15/28
D660,323 S	*	5/2012	Hiraoka	D15/28
D663,327 S	*	7/2012	Namura	D15/30
D678,917 S	*	3/2013	Hagura	D15/28
D684,598 S	*	6/2013	Hagura	D15/24
D684,602 S	*	6/2013	Hagura	D15/28
D684,604 S	*	6/2013	Saito	D15/28
D684,605 S	*	6/2013	Hagura	D15/28

(Continued)

OTHER PUBLICATIONS

Design U.S. Appl. No. 29/543,049, filed Oct. 20, 2015, 8 pages.

(Continued)

Primary Examiner — Mark Goodwin

(74) *Attorney, Agent, or Firm* — John D.

Veldhuis-Kroeze; Westman, Champlin & Koehler, P.A.

(57) **CLAIM**

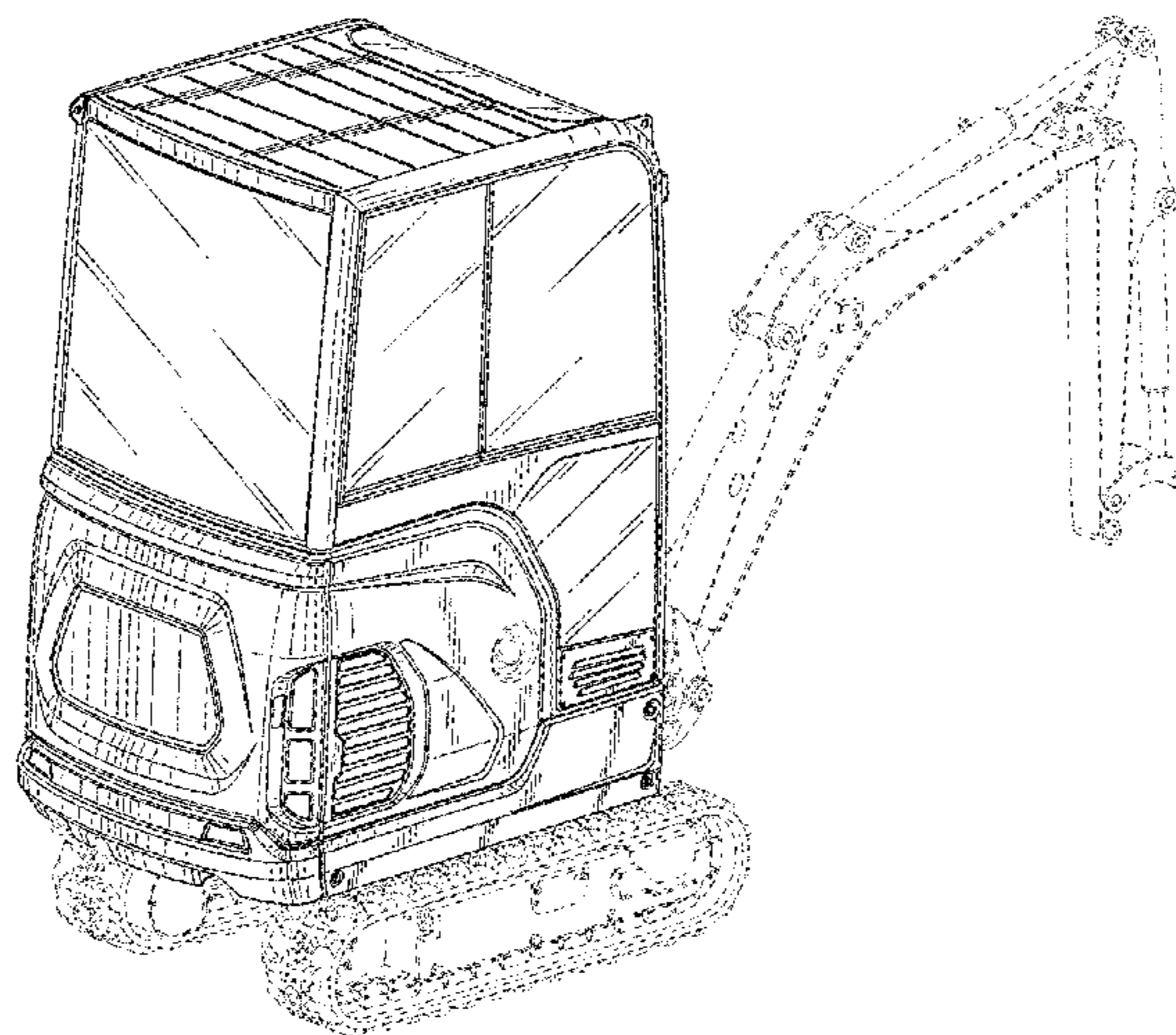
The ornamental design for an excavator body and cab exterior, as shown and described.

DESCRIPTION

FIG. 1 is a perspective view of the excavator body and cab exterior showing our new design; FIG. 2 is a right side view thereof; FIG. 3 is a left side view thereof; FIG. 4 is a front view thereof; FIG. 5 is a back view thereof; FIG. 6 is a top view thereof; and, FIG. 7 is a bottom view thereof.

The broken lines shown in the drawings are included for purposes of illustrating portions of the excavator, excavator body, and excavator cab and form no part of the claimed design.

1 Claim, 7 Drawing Sheets



(56)

References Cited

U.S. PATENT DOCUMENTS

D684,606	S	*	6/2013	Hagura	D15/28
D689,530	S	*	9/2013	Miyata	D15/30
D692,924	S	*	11/2013	Hatanaka	D15/24
D707,261	S	*	6/2014	Caboret	D15/24
D711,927	S	*	8/2014	Yoshita	D15/24
D715,330	S	*	10/2014	Hutchinson	D15/22
D715,331	S	*	10/2014	Hutchinson	D15/22
D716,845	S	*	11/2014	Hayami	D15/24
D717,346	S	*	11/2014	Ishii	D15/28
D725,680	S	*	3/2015	Mishio	D15/24
D735,771	S	*	8/2015	Imashige	D15/28
D738,403	S	*	9/2015	Imashige	D15/22
D750,671	S	*	3/2016	Imashige	D15/22
D750,672	S	*	3/2016	Payne	D15/25
D750,673	S	*	3/2016	Imashige	D15/28
D752,112	S	*	3/2016	Hagura	D15/24

OTHER PUBLICATIONS

Design U.S. Appl. No. 29/543,052, filed Oct. 20, 2015, 8 pages.

Design U.S. Appl. No. 29/543,056, filed Oct. 20, 2015, 8 pages.

Design U.S. Appl. No. 29/543,063, filed Oct. 20, 2015, 8 pages.

* cited by examiner

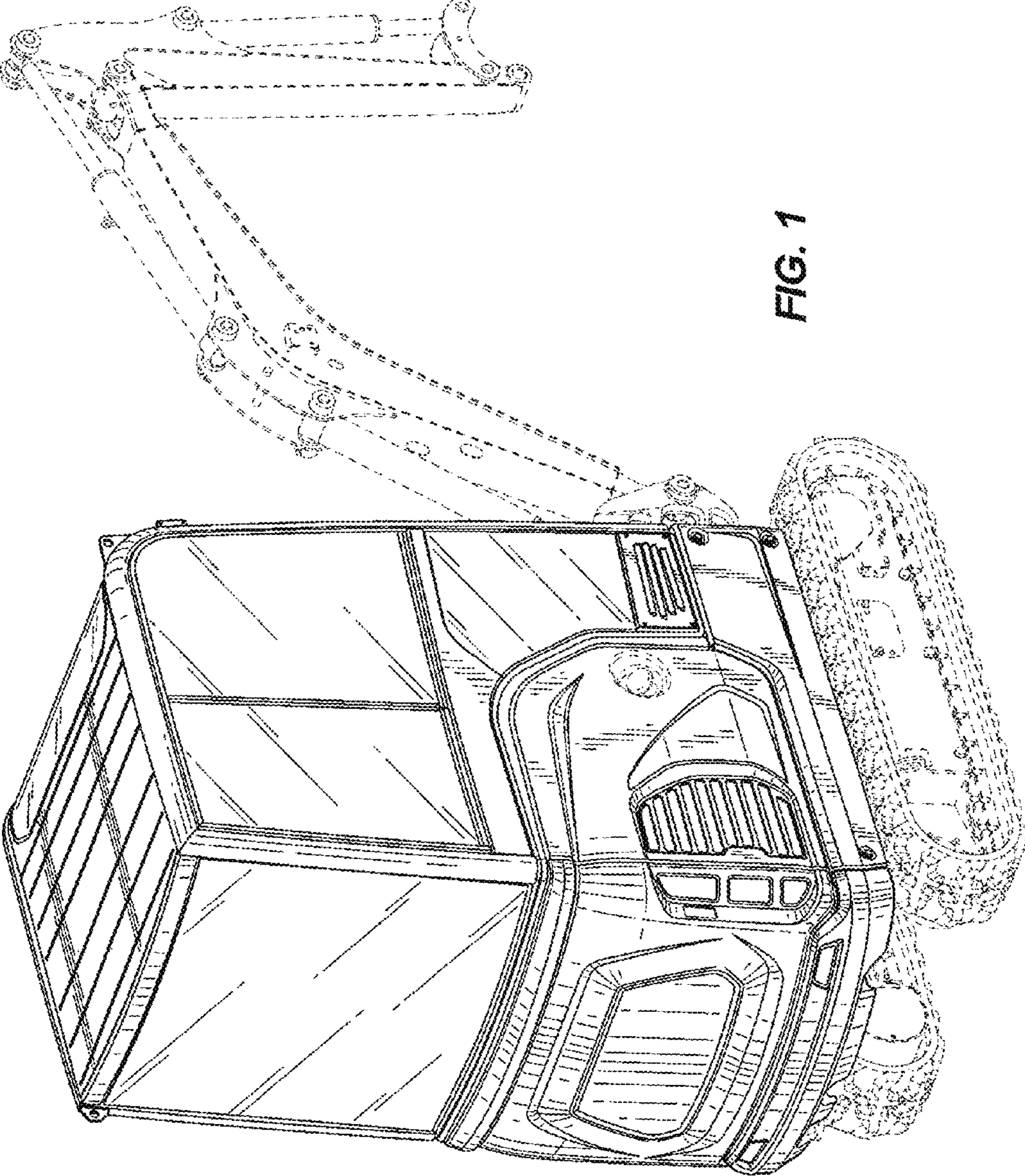


FIG. 1

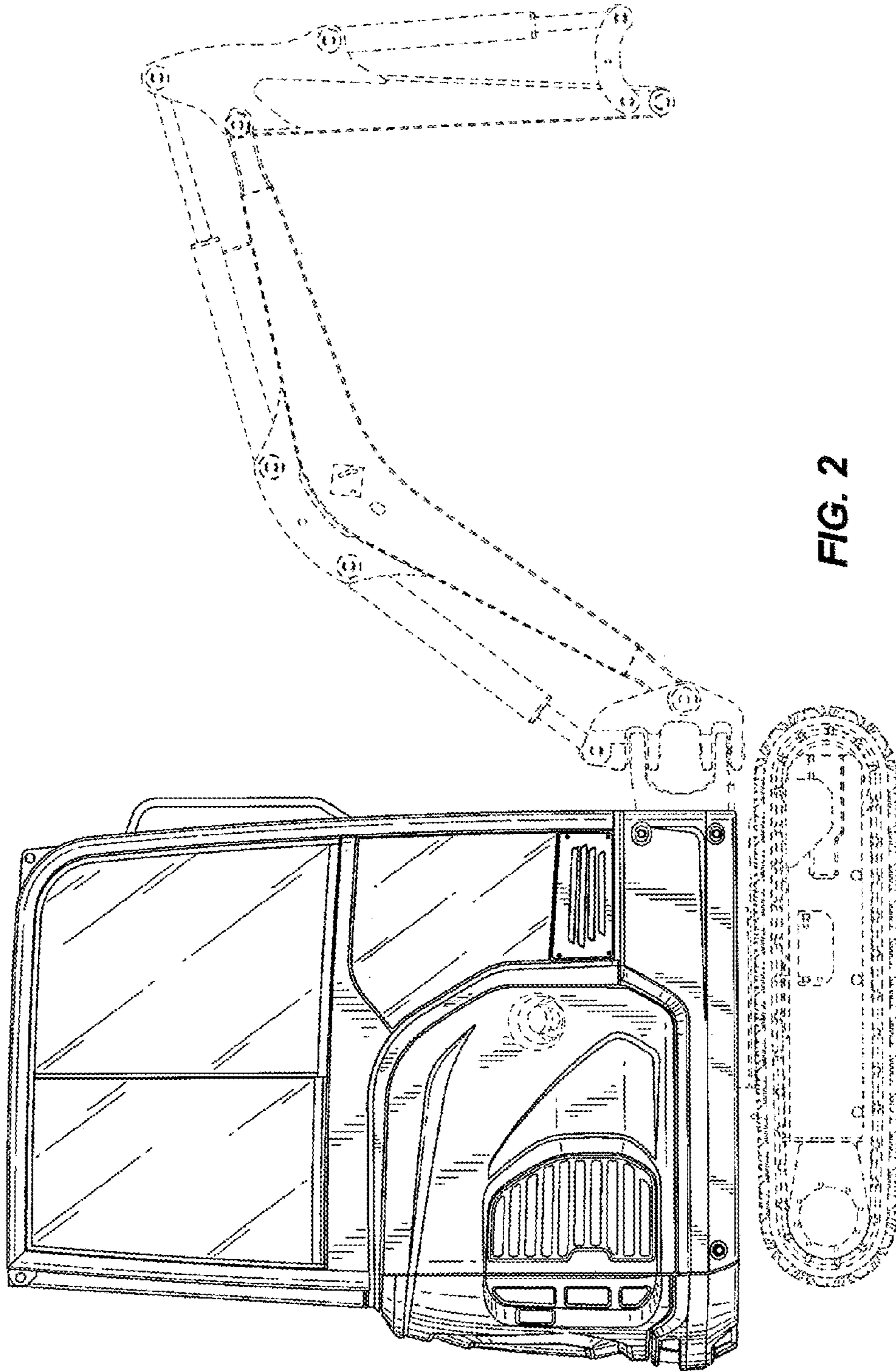


FIG. 2

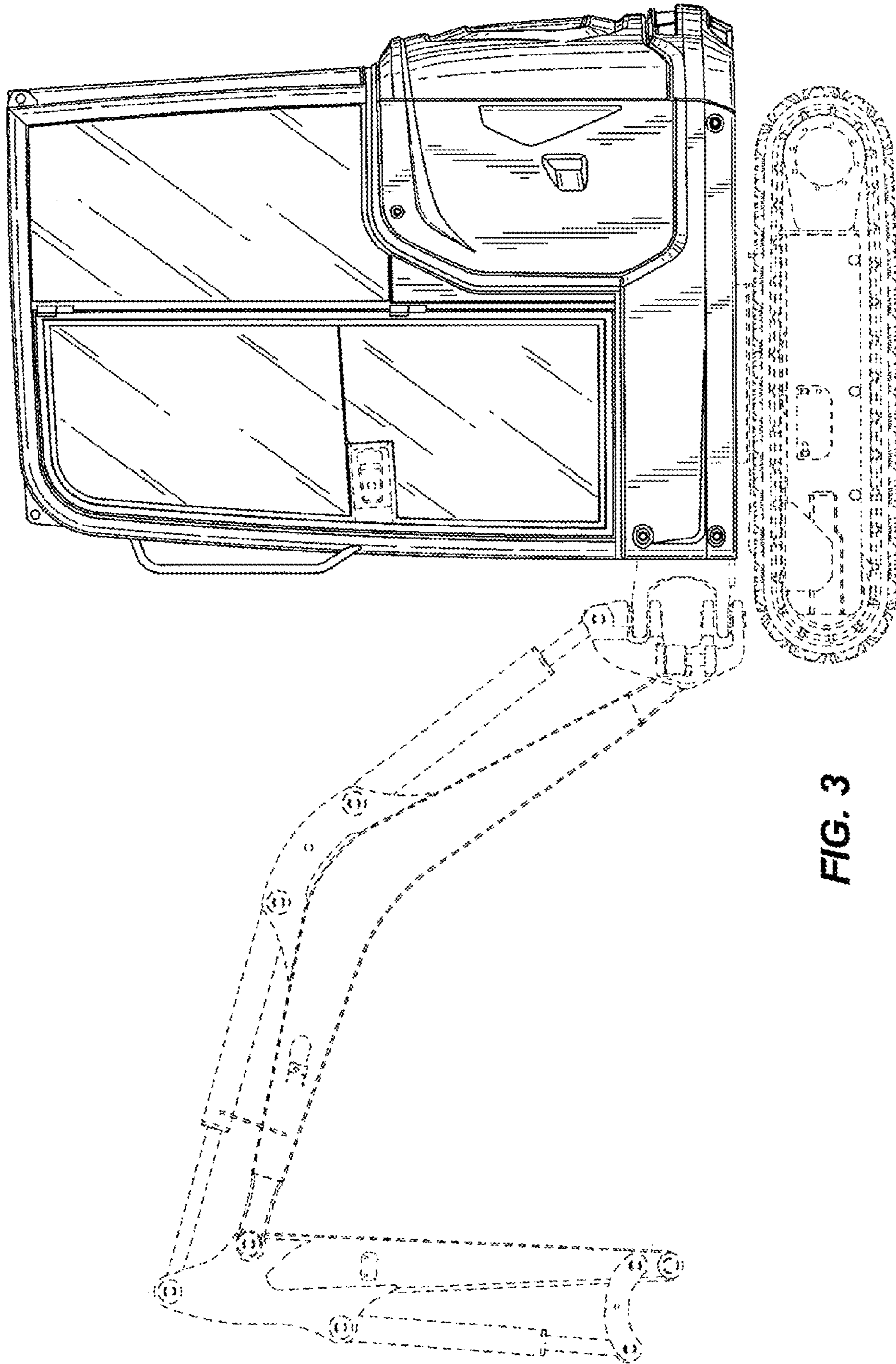


FIG. 3

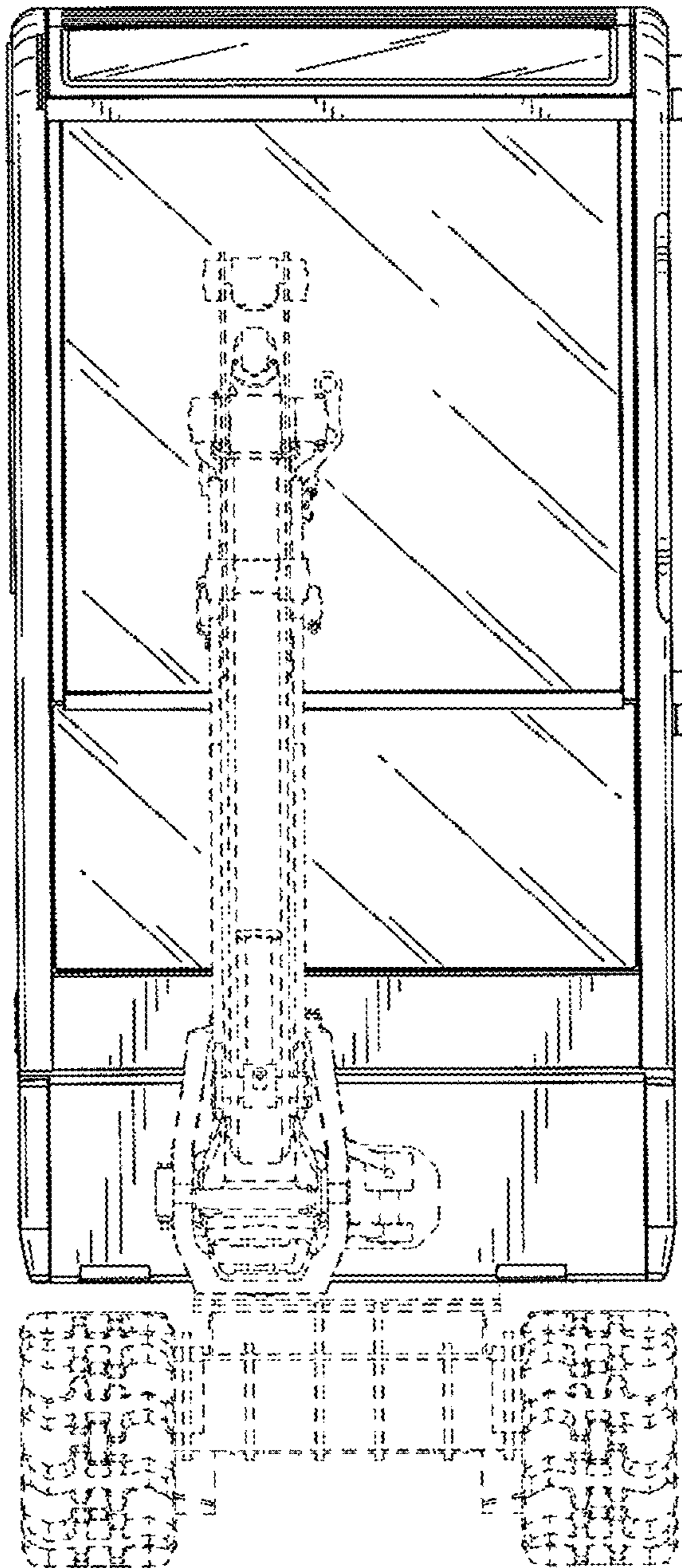


FIG. 4

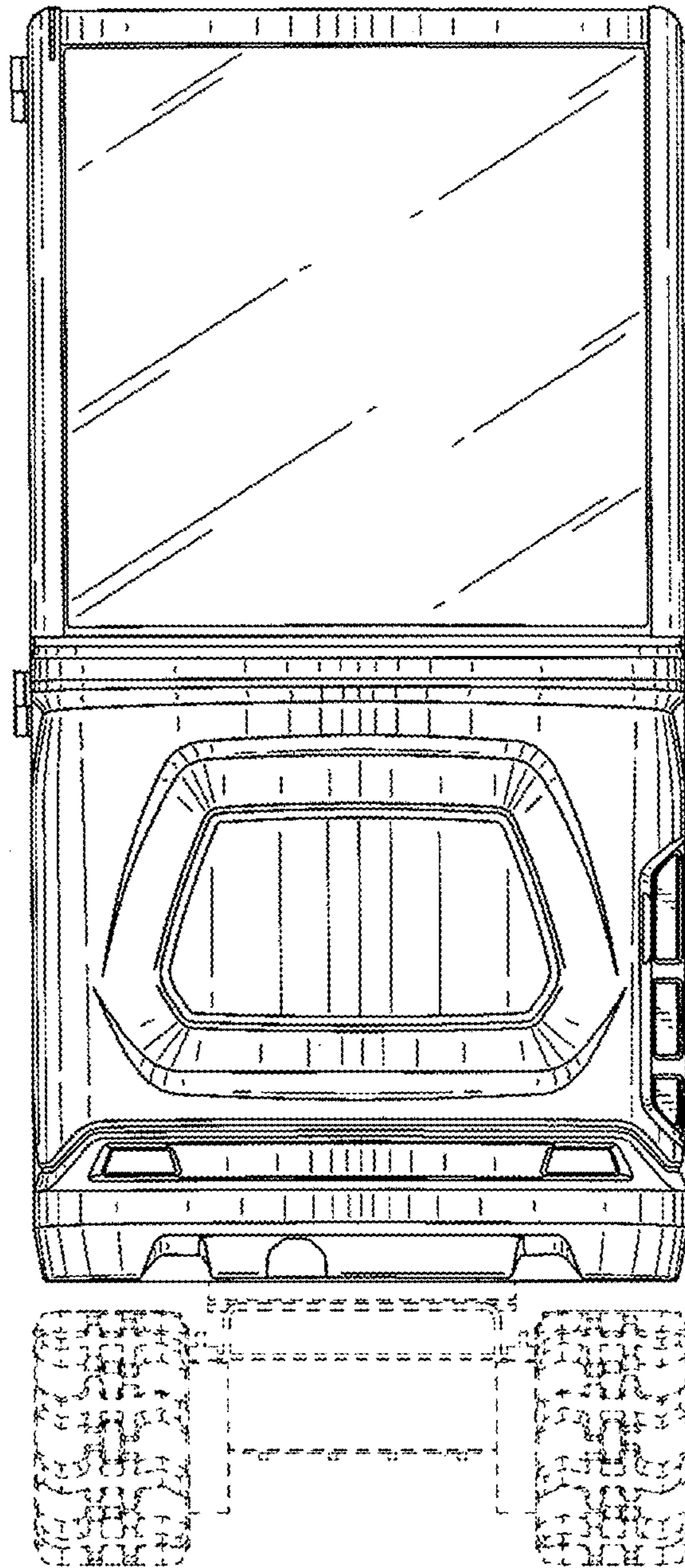


FIG. 5

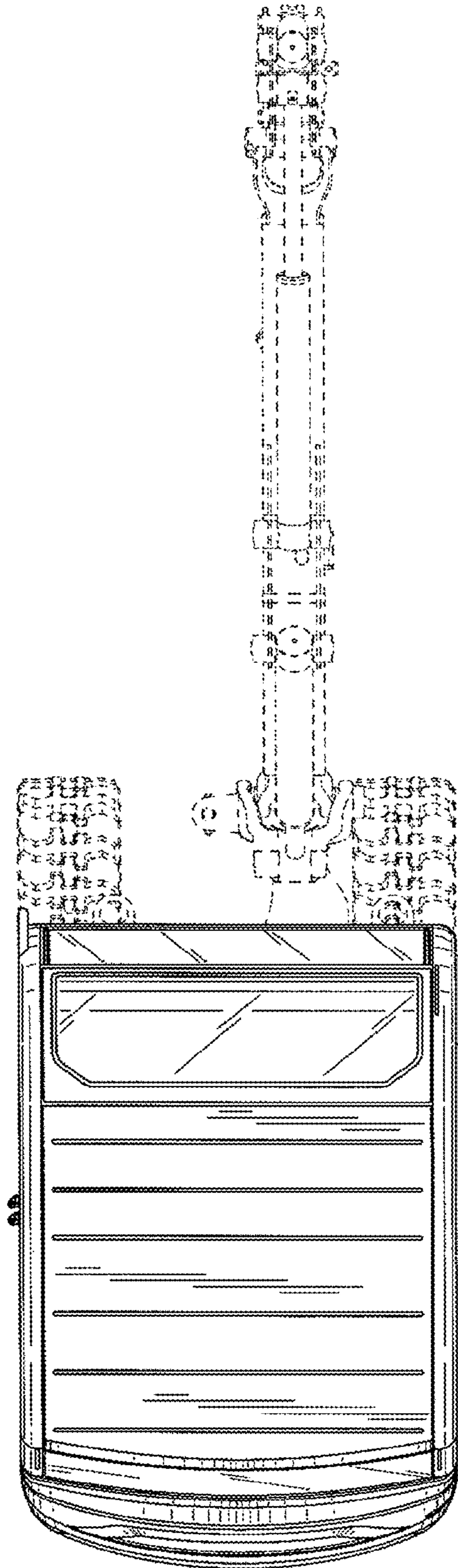


FIG. 6

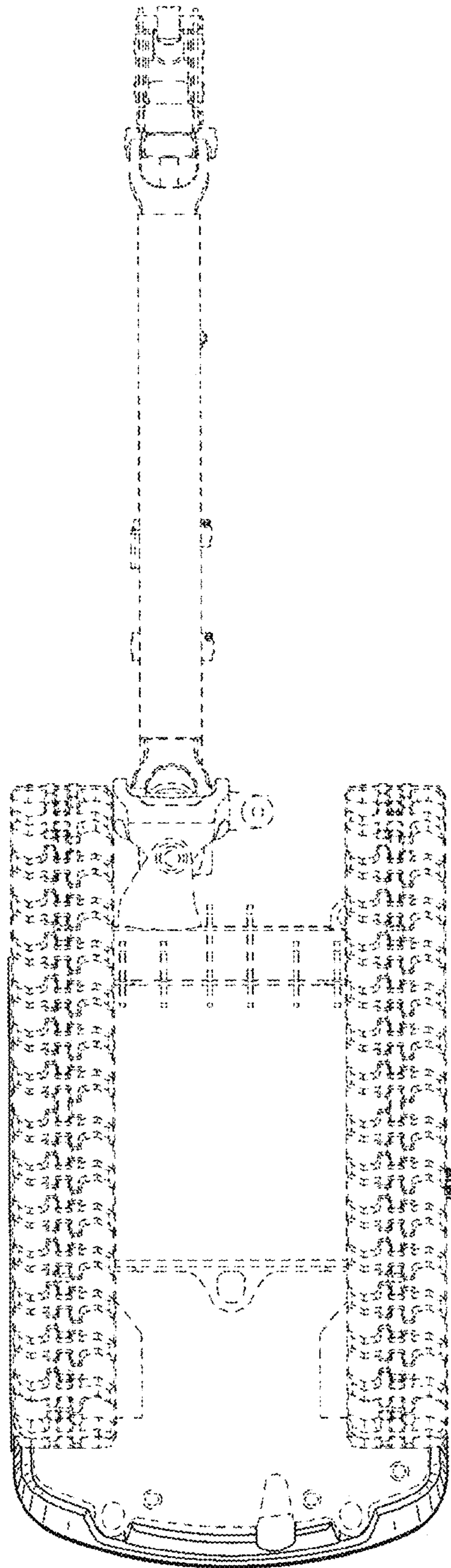


FIG. 7