



US00D773535S

(12) **United States Design Patent**  
**Ewringmann**

(10) **Patent No.:** **US D773,535 S**  
(45) **Date of Patent:** **\*\* Dec. 6, 2016**

(54) **SIDE PANEL FOR A ROAD CONSTRUCTION MACHINE**

(71) Applicant: **JOSEPH VOGELE AG,**  
Ludwigshafen-Rhein (DE)

(72) Inventor: **Ulrich Ewringmann,**  
Taufkirchen-Potzharn (DE)

(73) Assignee: **JOSEPH VOGELE AG,**  
Ludwigshafen/Rhein (DE)

(\*\*) Term: **15 Years**

(21) Appl. No.: **29/534,718**

(22) Filed: **Jul. 30, 2015**

**Related U.S. Application Data**

(62) Division of application No. 29/412,296, filed on Feb. 1, 2012, now Pat. No. Des. 742,935.

(30) **Foreign Application Priority Data**

Aug. 1, 2011 (EM) ..... 001289920

(51) **LOC (10) Cl.** ..... **15-03**

(52) **U.S. Cl.**  
USPC ..... **D15/28; D15/17**

(58) **Field of Classification Search**  
USPC ..... D15/17, 22-26, 28, 31, 33; D12/192,  
D12/419, 421; 180/69.2, 69.21, 69.24, 90;  
296/70, 30, 72, 191, 192, 193.03  
CPC ..... B28D 1/186; E01C 23/16; E01C 23/088;  
E01C 2301/50

See application file for complete search history.

(56) **References Cited**

**U.S. PATENT DOCUMENTS**

D135,005 S 2/1943 Baumgardner  
2,591,502 A 4/1952 Bohannan et al.

2,779,258 A 1/1957 Johnson  
D184,043 S 12/1958 Dodge  
3,000,277 A 9/1961 Crane et al.  
D210,658 S 4/1968 Lazzeroni  
3,405,613 A 10/1968 Gustafson  
3,453,939 A 7/1969 Pollitz et al.  
3,561,816 A 2/1971 Koch  
3,699,855 A 10/1972 Leister  
3,712,664 A 1/1973 May  
D230,297 S 2/1974 Purcell et al.  
D239,966 S 5/1976 Swisher et al.  
3,997,277 A 12/1976 Swisher et al.  
4,196,344 A 4/1980 Kuze  
D275,199 S 8/1984 Schmidt et al.

(Continued)

**OTHER PUBLICATIONS**

Design U.S. Appl. No. 29/412,280, filed Feb. 1, 2012.

(Continued)

*Primary Examiner* — Mark Goodwin

(74) *Attorney, Agent, or Firm* — Fish & Richardson P.C.

(57) **CLAIM**

The ornamental design for side panel for a road construction machine, as shown and described.

**DESCRIPTION**

FIG. 1 is a right side view of a side panel for a road construction machine showing my new design.

FIG. 2 is a front view thereof.

FIG. 3 is a left side view thereof.

FIG. 4 is a rear view thereof.

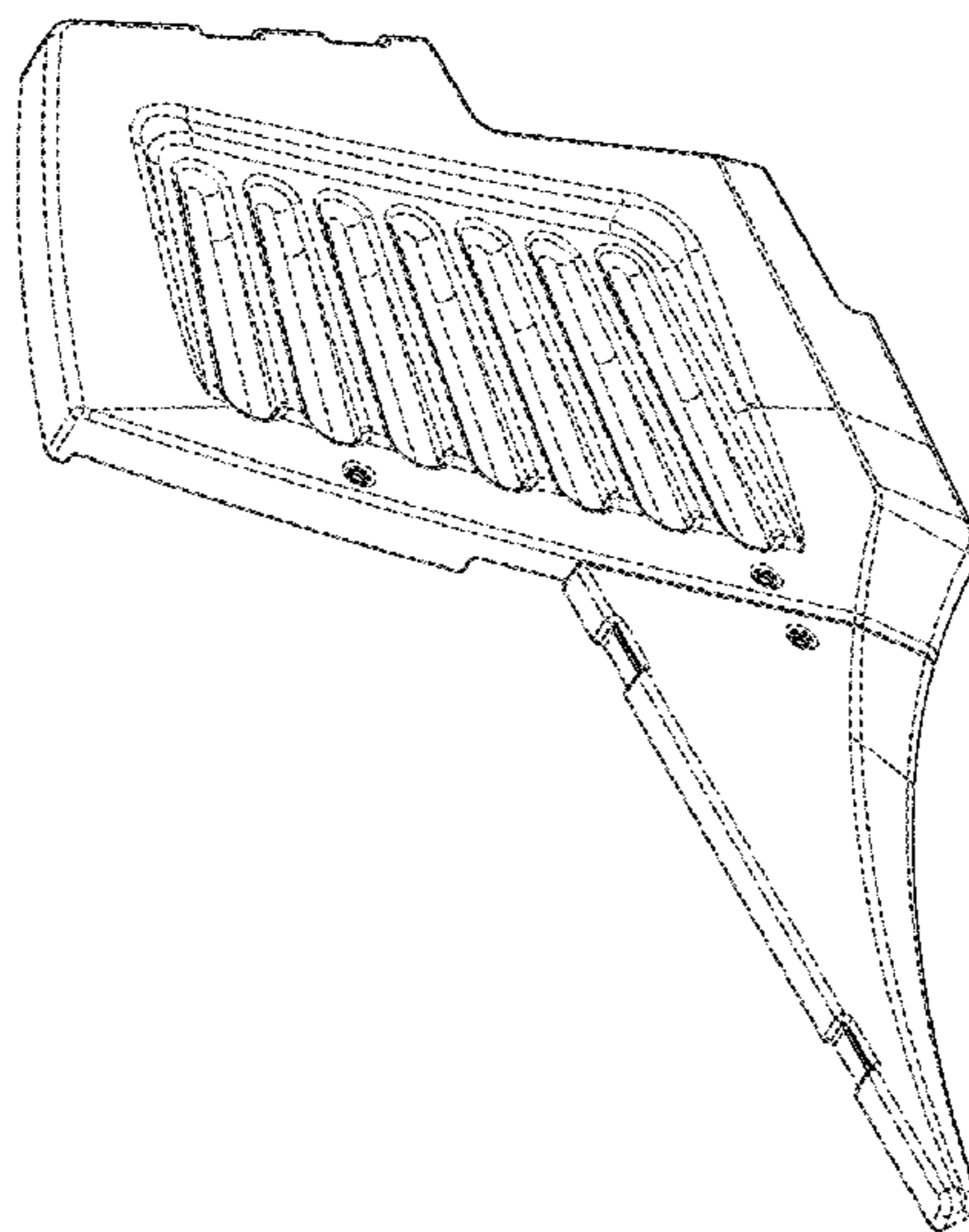
FIG. 5 is a top plan view thereof.

FIG. 6 is a bottom plan view thereof

FIG. 7 is a top, front, right side perspective view thereof; and,

FIG. 8 is a further top, rear, right side perspective view thereof.

**1 Claim, 8 Drawing Sheets**



(56)

References Cited

U.S. PATENT DOCUMENTS

D281,881 S 12/1985 Swartzendruber et al.  
 D284,668 S 7/1986 Salley et al.  
 D284,669 S 7/1986 Clark et al.  
 D284,767 S 7/1986 Clark et al.  
 D285,081 S 8/1986 Wood  
 4,674,928 A 6/1987 Lyman  
 4,721,031 A 1/1988 Nakata et al.  
 D306,450 S 3/1990 Funabashi et al.  
 5,009,546 A 4/1991 Domenighetti et al.  
 D317,011 S 5/1991 Boddin et al.  
 D329,435 S 9/1992 Katoh et al.  
 5,201,603 A 4/1993 Bassett et al.  
 5,201,604 A 4/1993 Ferguson et al.  
 5,250,930 A 10/1993 Yoshida et al.  
 5,269,626 A 12/1993 Soliman et al.  
 D348,553 S 7/1994 Martin  
 5,356,238 A 10/1994 Musil et al.  
 D362,449 S 9/1995 Swisher  
 5,511,900 A 4/1996 Macku  
 D370,917 S 6/1996 Swisher  
 5,615,973 A 4/1997 Campbell  
 5,695,238 A 12/1997 Calamari et al.  
 D398,289 S 9/1998 Burke  
 6,071,040 A 6/2000 Macku et al.  
 6,086,287 A 7/2000 Sharpe et al.  
 6,099,205 A 8/2000 Macku et al.  
 D438,217 S 2/2001 Olson et al.  
 6,189,955 B1 2/2001 Fryk et al.  
 6,193,437 B1 2/2001 Heims  
 6,309,138 B1 10/2001 Yasu et al.  
 6,375,386 B1 4/2002 Macku et al.

D464,663 S 10/2002 Dahl et al.  
 6,688,682 B2 2/2004 Arthur et al.  
 D500,329 S 12/2004 Bauve et al.  
 D503,928 S 4/2005 Obata  
 D507,281 S 7/2005 Komatsu et al.  
 D507,800 S 7/2005 Kuwae et al.  
 D516,094 S 2/2006 Dotsch et al.  
 D525,212 S 7/2006 Kim  
 D527,393 S 8/2006 Maas et al.  
 D573,611 S 7/2008 Geier  
 D578,142 S 10/2008 Ewringmann  
 D635,159 S 3/2011 Berning et al.  
 D635,160 S 3/2011 Berning et al.  
 D635,593 S 4/2011 Berning et al.  
 D642,599 S 8/2011 Busley  
 D643,860 S 8/2011 Busley  
 2003/0143024 A1 7/2003 Sharpe et al.  
 2005/0105232 A1 5/2005 Taylor  
 2005/0133292 A1 6/2005 Ginzel et al.  
 2006/0045624 A1 3/2006 Nelson  
 2006/0243506 A1 11/2006 Dolesh et al.

OTHER PUBLICATIONS

Design U.S. Appl. No. 29/412,335, filed Feb. 1, 2012.  
 Design U.S. Appl. No. 29/412,268, filed Feb. 1, 2012.  
 Design U.S. Appl. No. 29/412,292, filed Feb. 1, 2012.  
 Design U.S. Appl. No. 29/412,330, filed Feb. 1, 2012.  
 Design U.S. Appl. No. 29/412,298, filed Feb. 1, 2012.  
 Design U.S. Appl. No. 29/412,340, filed Feb. 1, 2012.  
 Design U.S. Appl. No. 29/412,328, filed Feb. 1, 2012.  
 Design U.S. Appl. No. 29/412,337, filed Feb. 1, 2012.  
 Design U.S. Appl. No. 29/412,329, filed Feb. 1, 2012.

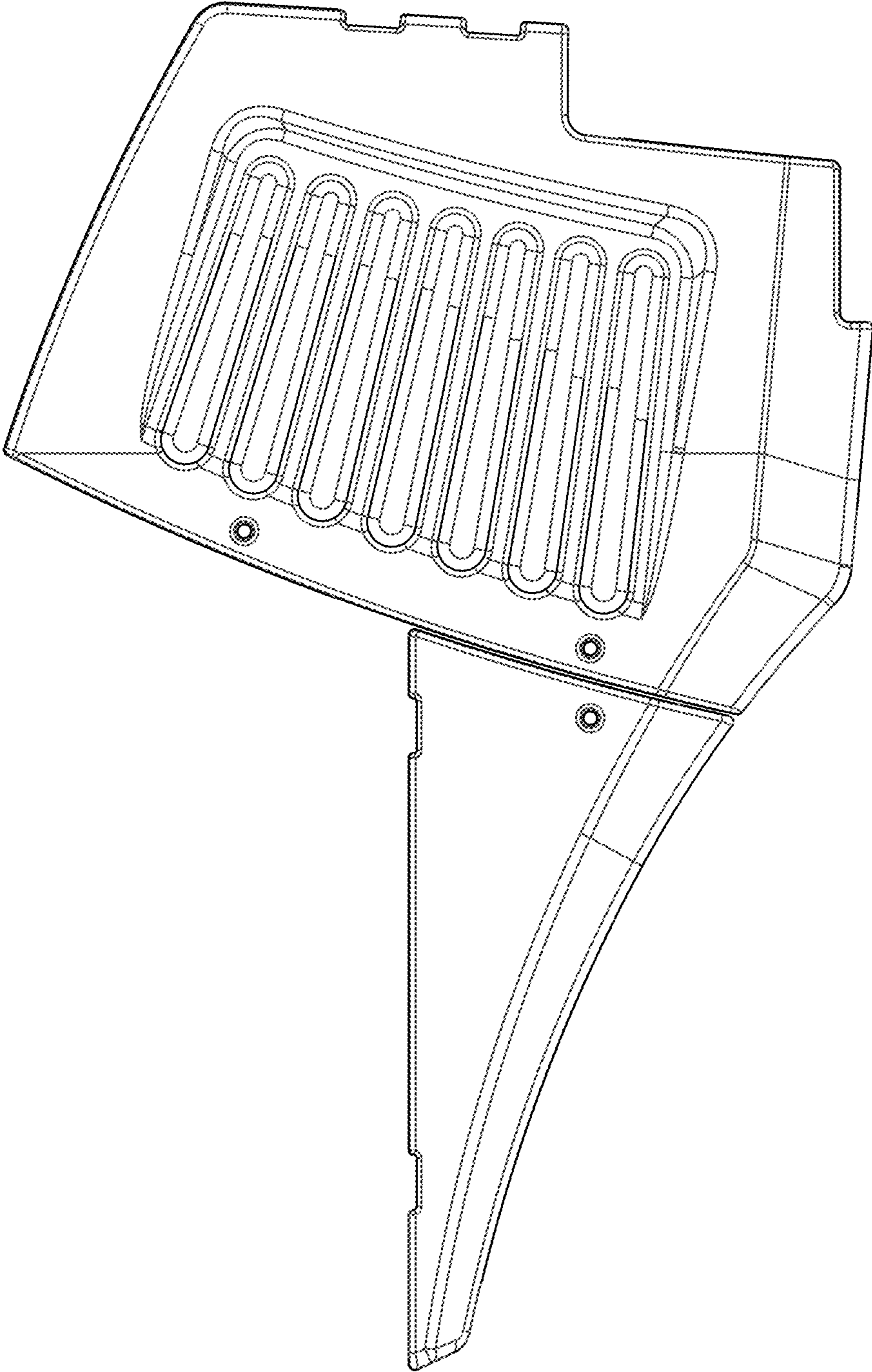


FIG. 1

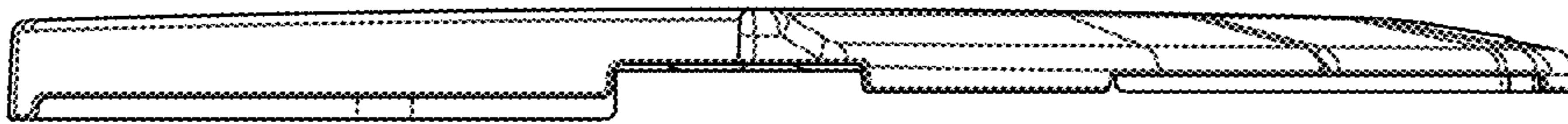


FIG. 2

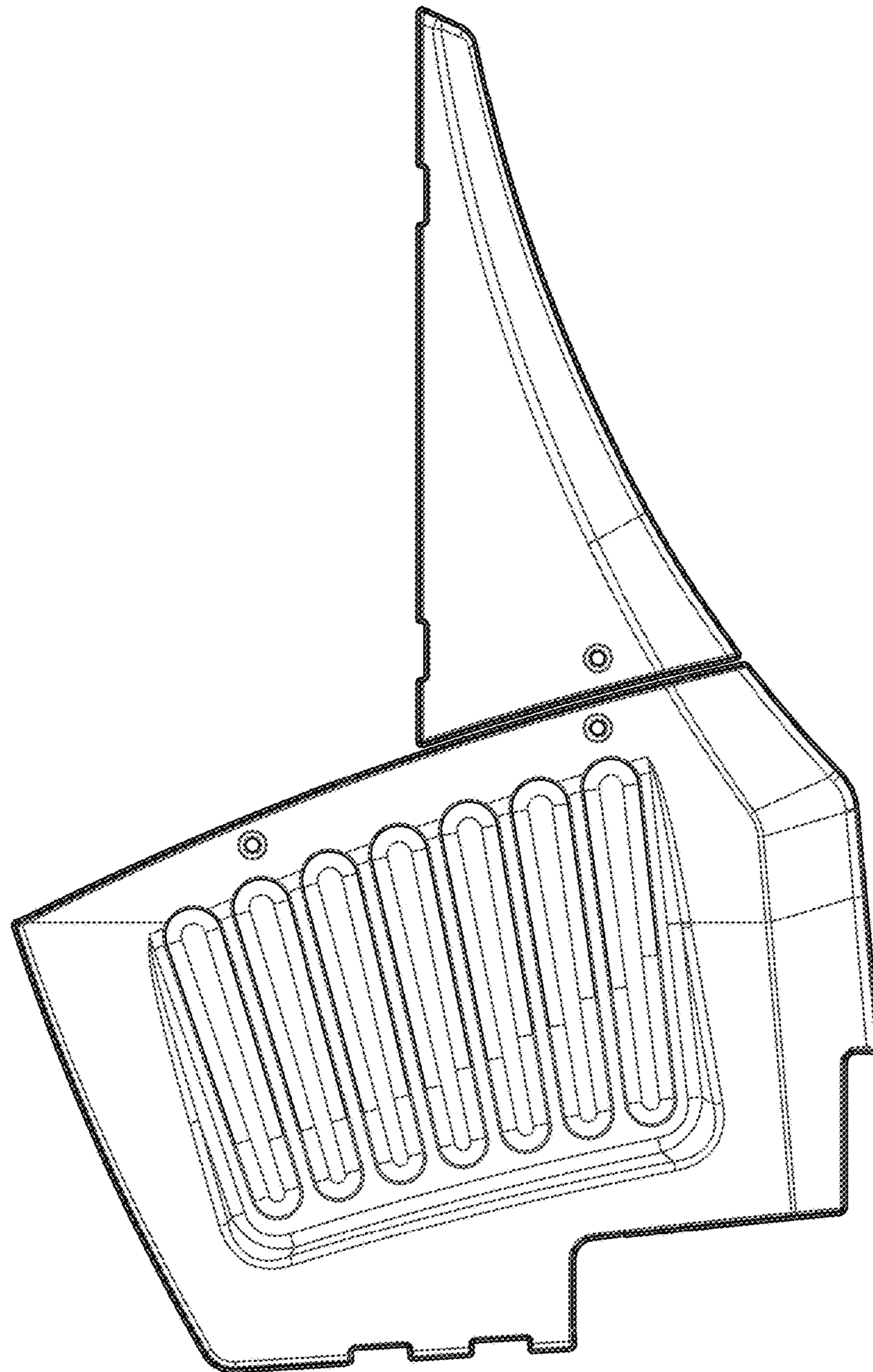


FIG. 3



FIG. 4

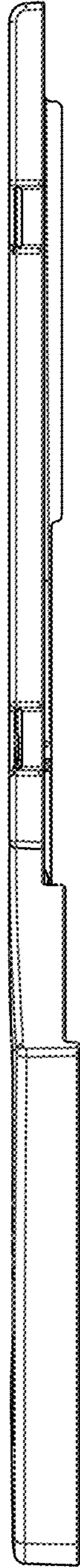


FIG. 5

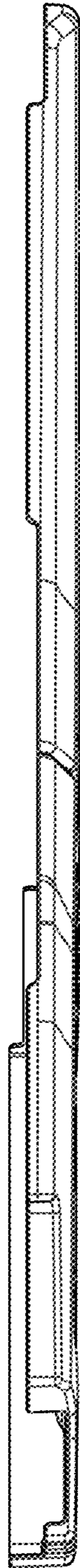


FIG. 6



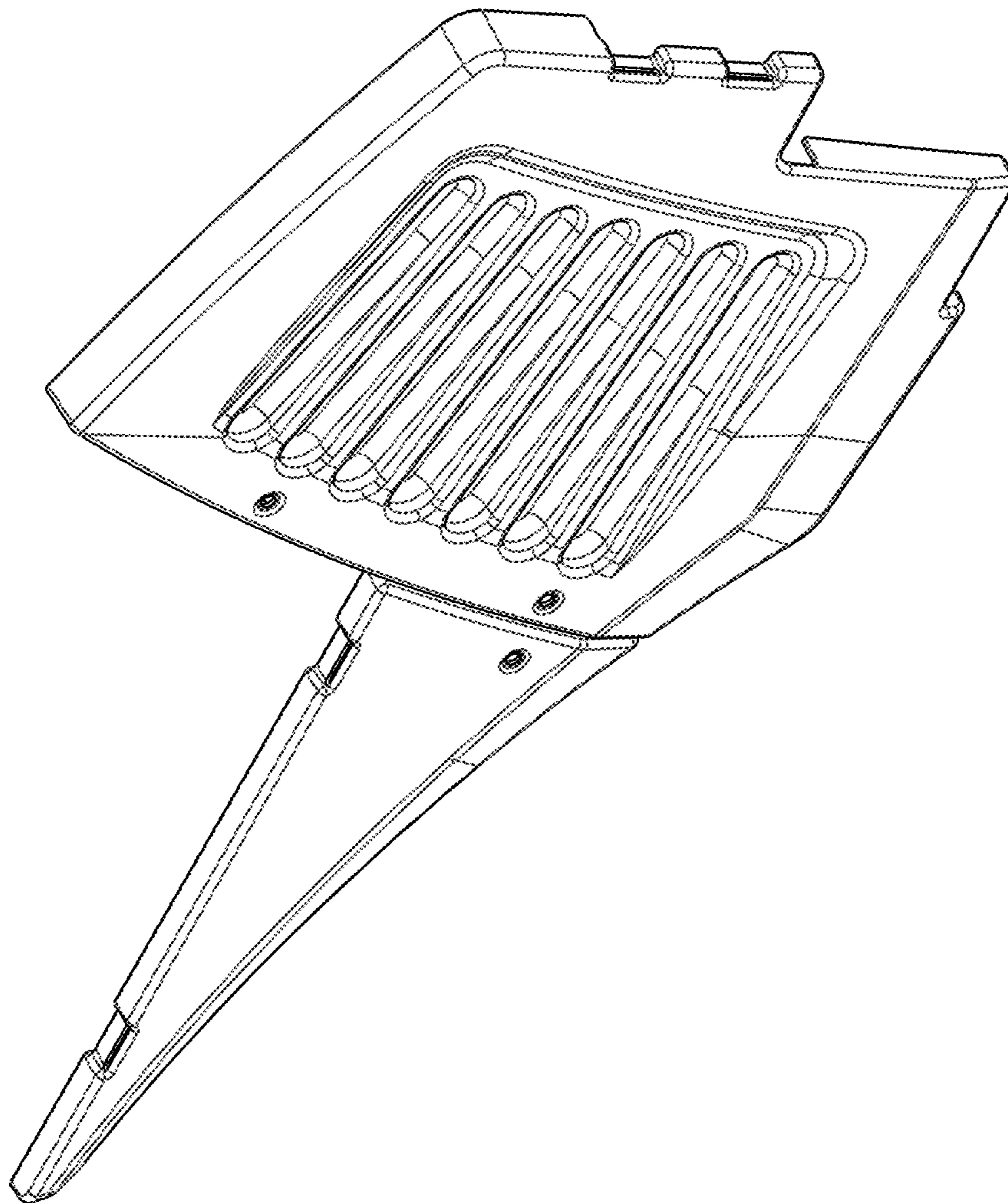


FIG. 7

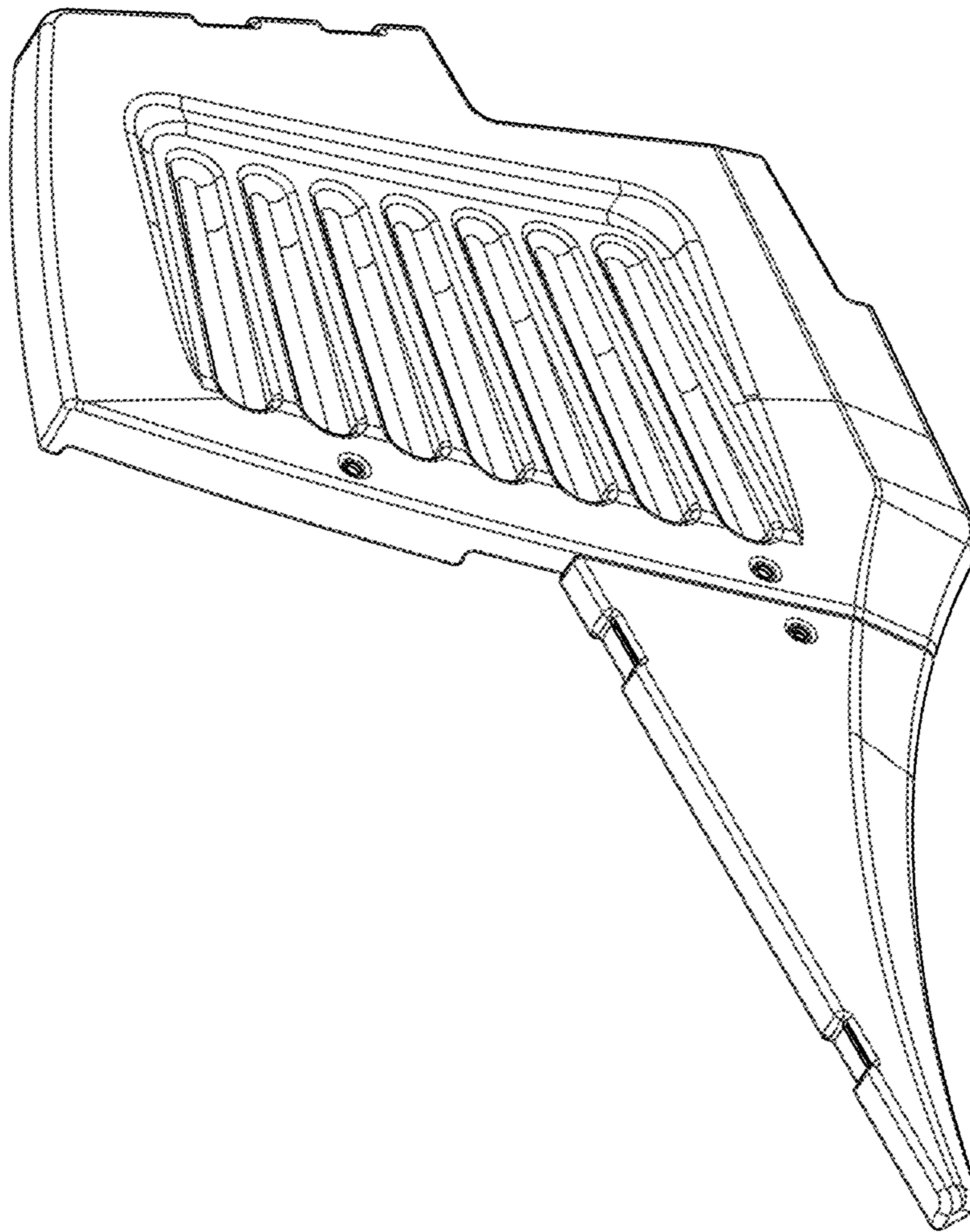


FIG. 8