



US00D773473S

(12) **United States Design Patent** (10) **Patent No.:** **US D773,473 S**
Min (45) **Date of Patent:** **** Dec. 6, 2016**

(54) **COMPUTER KEYBOARD LAYOUT**
(71) Applicant: **Brian Min**, Walnut Creek, CA (US)
(72) Inventor: **Brian Min**, Walnut Creek, CA (US)
(**) Term: **15 Years**
(21) Appl. No.: **29/538,582**
(22) Filed: **Sep. 4, 2015**
(51) **LOC (10) Cl.** **14-02**
(52) **U.S. Cl.**
USPC **D14/455**
(58) **Field of Classification Search**
USPC D14/240, 315, 391-399, 433, 443,
447,D14/455, 456; D18/1, 2, 7, 11;
345/168; 178/17 A, 17 C; 361/679.01,
679.08, 679.09, 361/679.11, 679.12,
679.17, 679.26, 679.41, 361/679.44;
400/484-489, 492, 472
CPC G06F 3/0205
See application file for complete search history.

D258,957 S * 4/1981 Bevilacqua D14/398
D281,606 S * 12/1985 Nuttall D14/346
D298,432 S * 11/1988 Grange D14/334
D311,171 S * 10/1990 Santer D14/392
D375,947 S * 11/1996 Brenner D14/392
D480,726 S * 10/2003 Yokota D14/396
D490,077 S * 5/2004 Lance D14/396
D540,807 S * 4/2007 DeMaio D14/455
D567,240 S * 4/2008 Griffin D14/392
D574,825 S * 8/2008 Baker D14/392

* cited by examiner

Primary Examiner — George D Kirschbaum
Assistant Examiner — Joseph Kukella

(56) **References Cited**
U.S. PATENT DOCUMENTS
1,328,818 A * 1/1920 Butler B41J 5/10
400/472
1,342,244 A * 6/1920 Wolcott B41J 5/10
400/486
2,080,457 A * 5/1937 Bower B41J 5/10
400/486
2,167,150 A * 7/1939 Habersfeld B41J 5/10
400/472
2,665,336 A * 1/1954 Saykay H04L 17/04
178/17 C
D202,555 S * 10/1965 Meunier D14/392

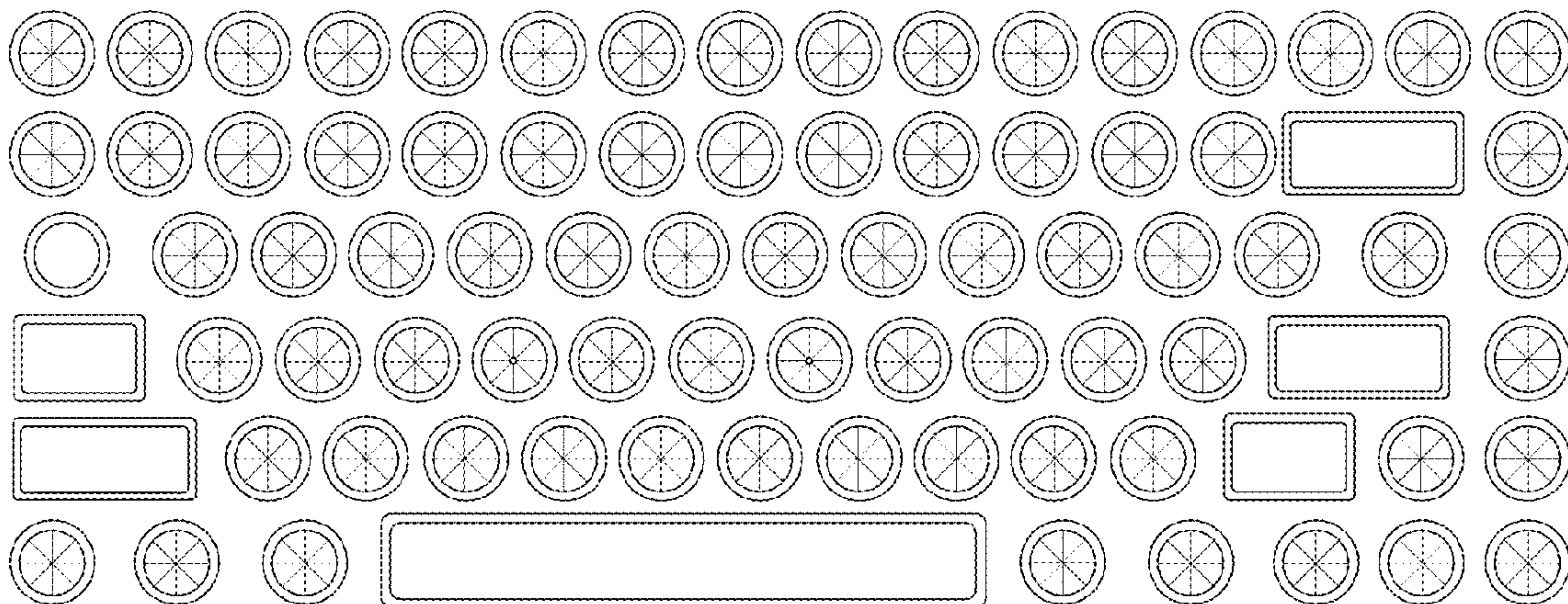
(57) **CLAIM**

The ornamental design for a computer keyboard layout, as shown and described.

DESCRIPTION

FIG. 1 is a top perspective view of a computer keyboard layout;
FIG. 2 is a second perspective view thereof;
FIG. 3 is a top plan view thereof;
FIG. 4 is a front elevation view thereof;
FIG. 5 is a left side view thereof;
FIG. 6 is a right side view thereof;
FIG. 7 is a third top perspective view thereof;
FIG. 8 is a second top plan view thereof;
FIG. 9 is a second front elevation view thereof; and,
FIG. 10 is a second left elevation view thereof.
In the drawings, the broken lines depict environmental subject matter only and form no part of the claimed design.

1 Claim, 10 Drawing Sheets



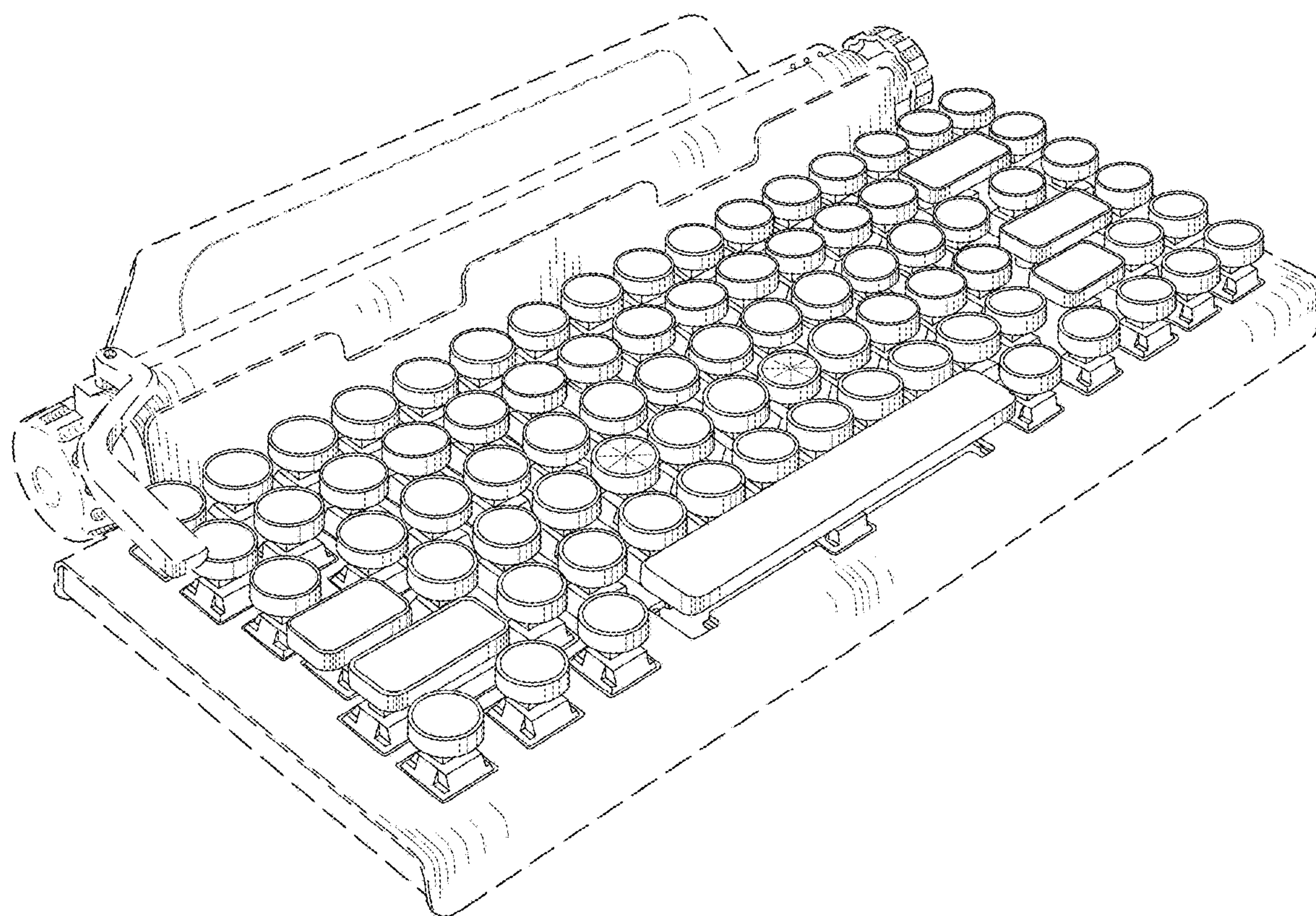


FIG. 01

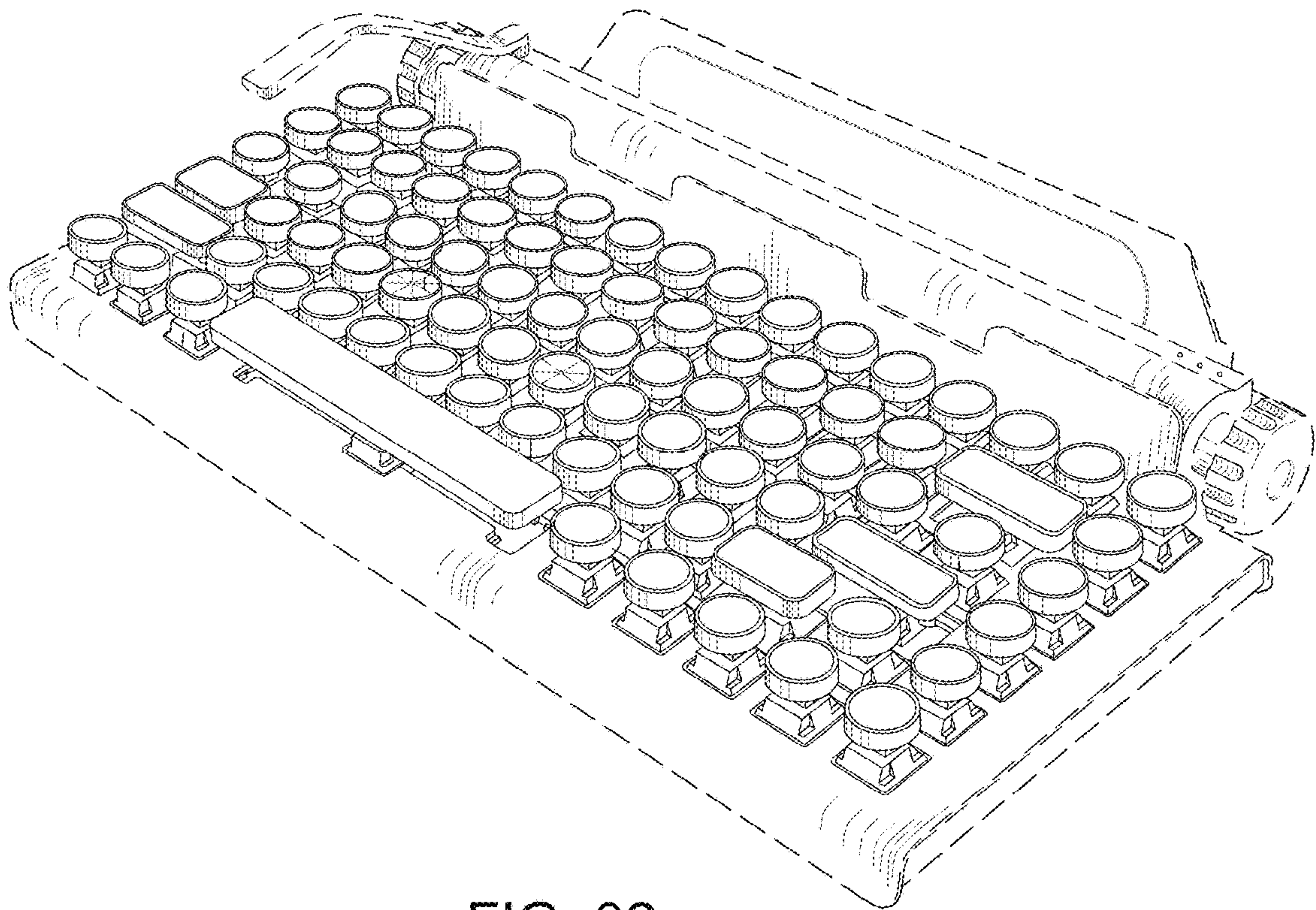


FIG. 02

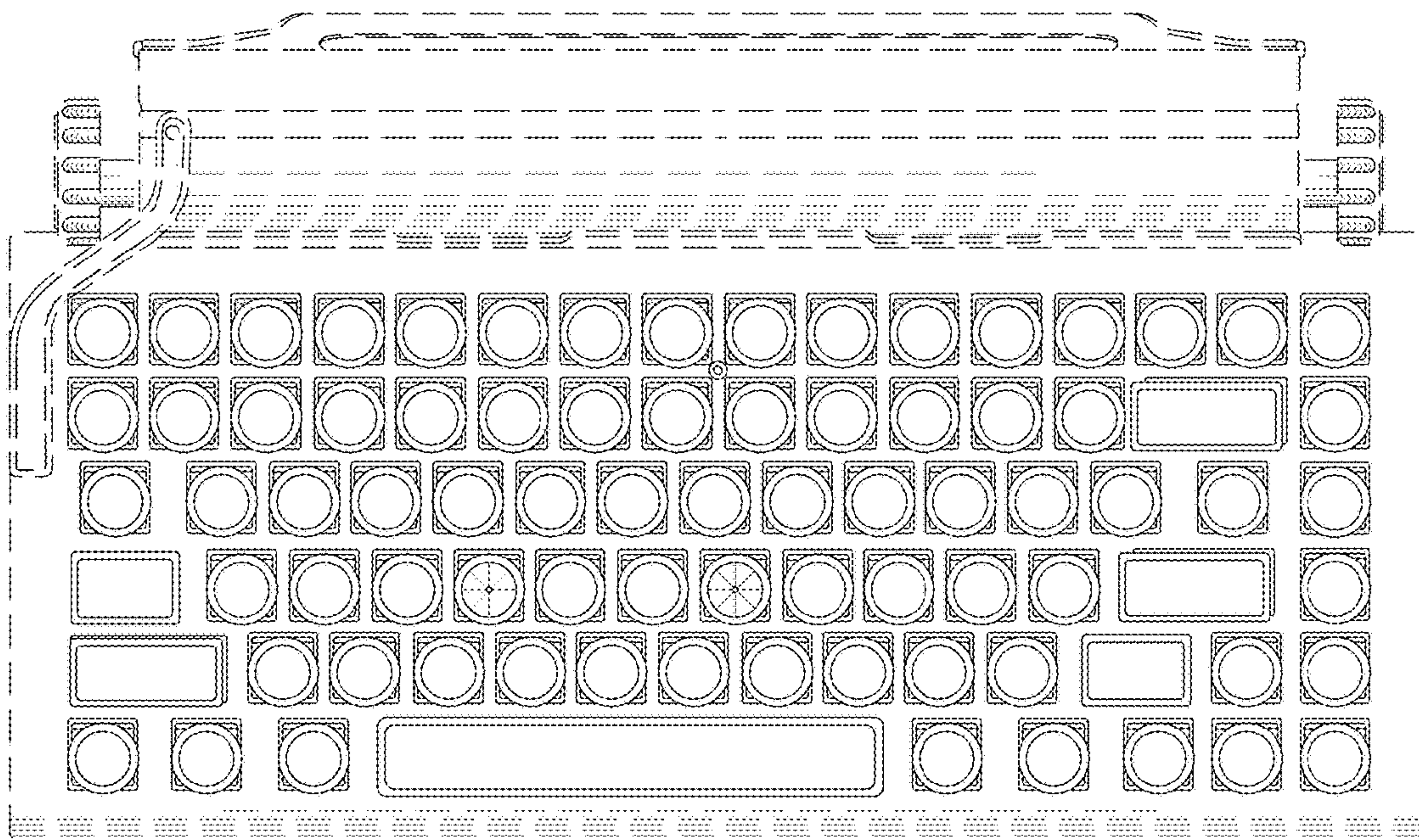


FIG. 03

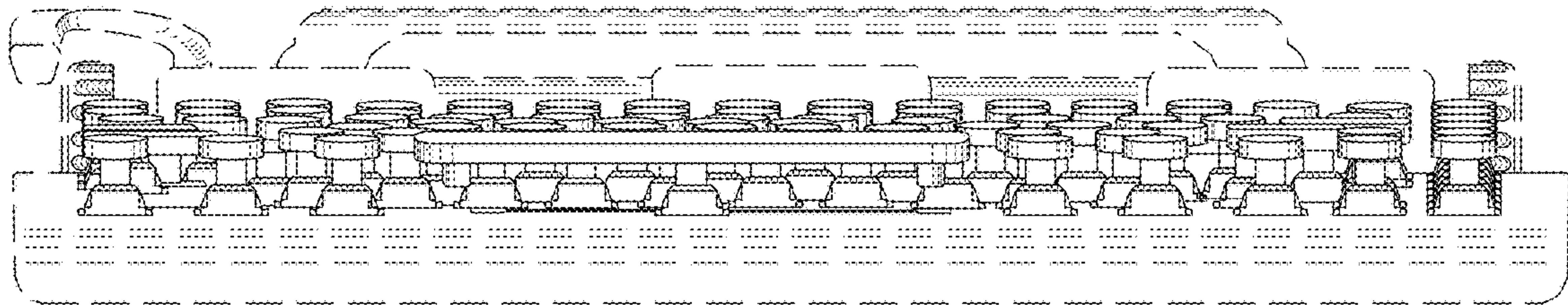


FIG. 04

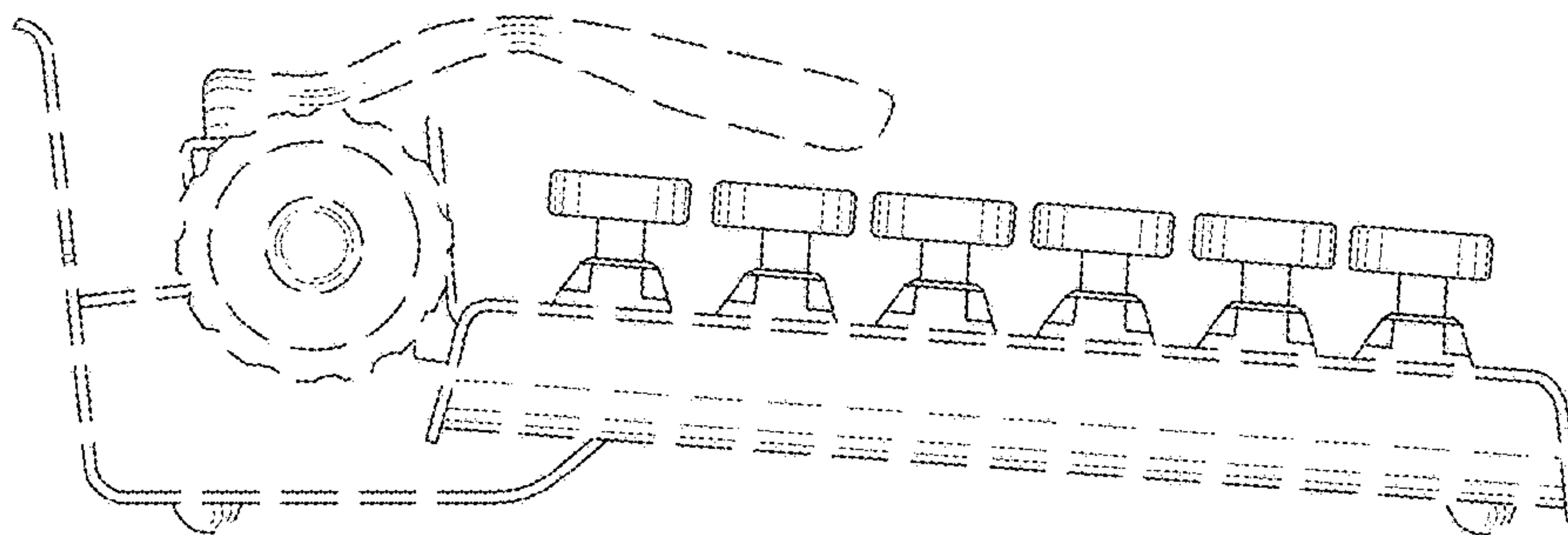


FIG. 05

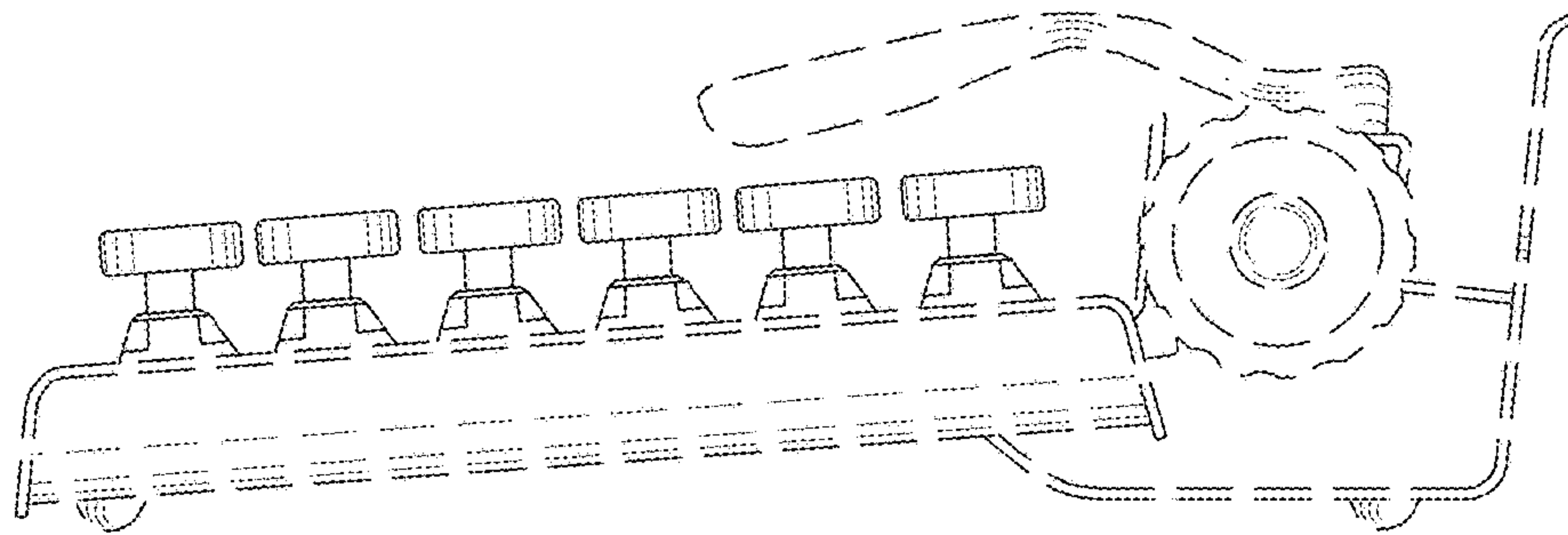


FIG. 06

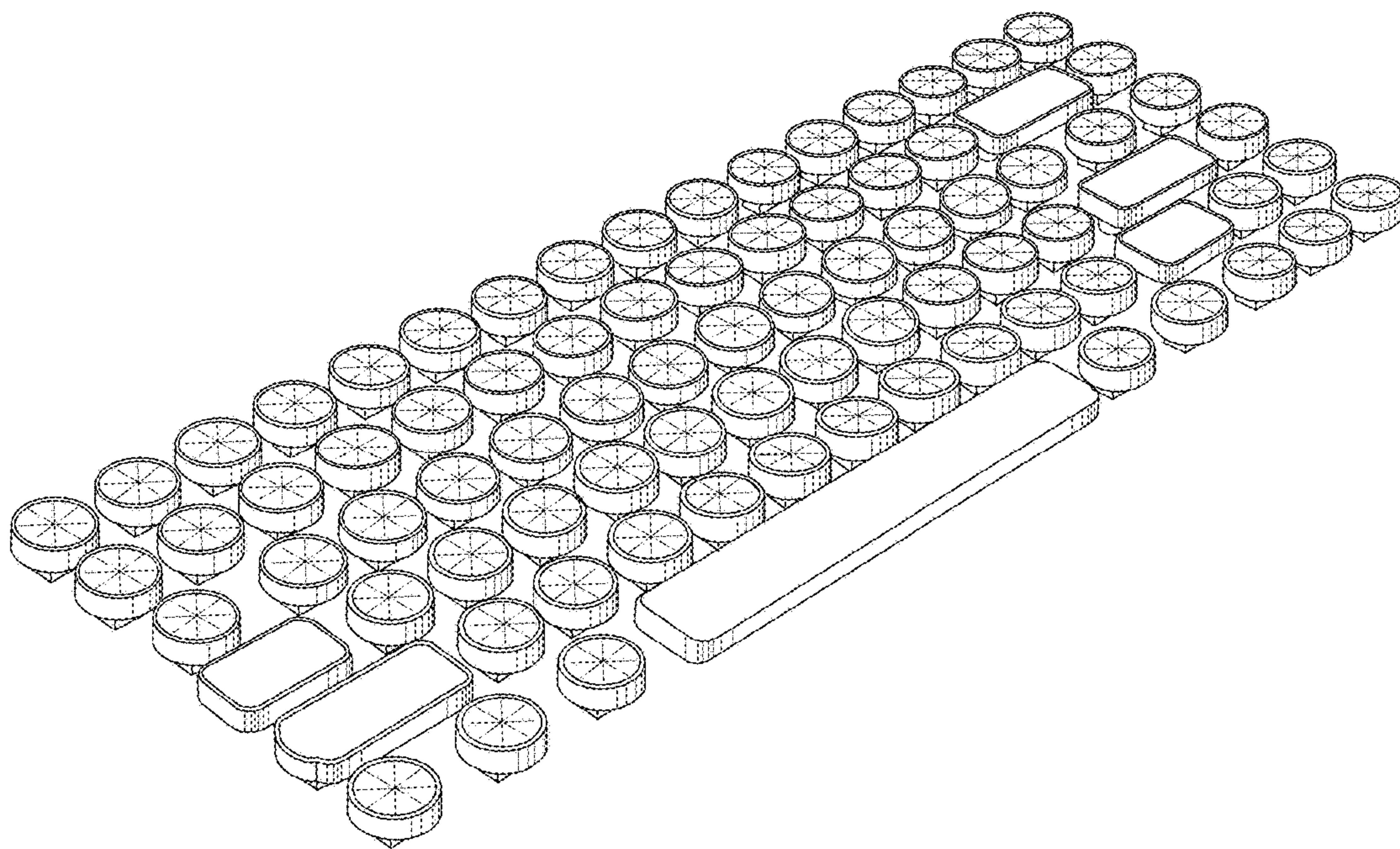


FIG. 07

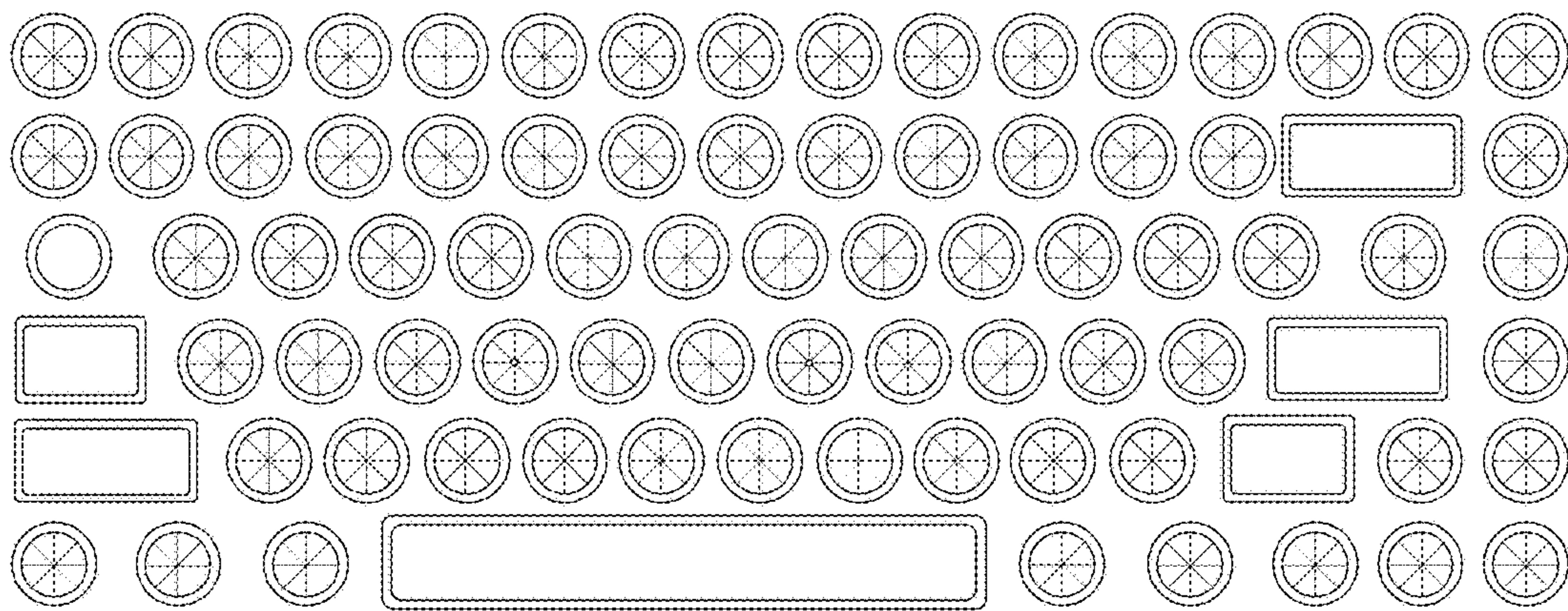


FIG. 08

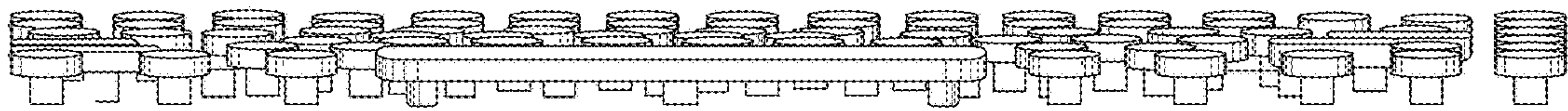


FIG. 09

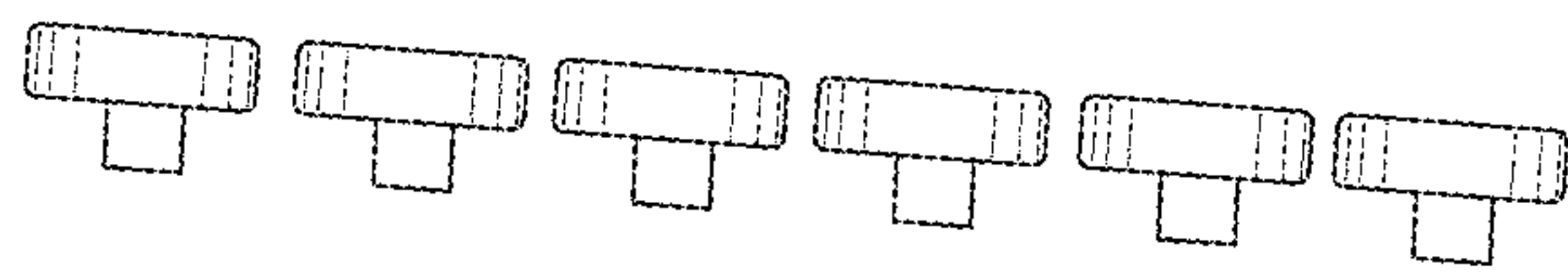


FIG. 10