



US00D773470S

(12) **United States Design Patent** (10) **Patent No.:** **US D773,470 S**
Akana et al. (45) **Date of Patent:** **** Dec. 6, 2016**

(54) **COVER**

(71) Applicant: **Apple Inc.**, Cupertino, CA (US)

(72) Inventors: **Jody Akana**, San Francisco, CA (US); **Bartley K. Andre**, Palo Alto, CA (US); **Jeremy Bataillou**, San Francisco, CA (US); **Daniel J. Coster**, San Francisco, CA (US); **Daniele De Iuliis**, San Francisco, CA (US); **M. Evans Hankey**, San Francisco, CA (US); **Julian Hoenig**, San Francisco, CA (US); **Richard P. Howarth**, San Francisco, CA (US); **Jonathan P. Ive**, San Francisco, CA (US); **Duncan Robert Kerr**, San Francisco, CA (US); **Shin Nishibori**, Kailua, HI (US); **Matthew Dean Rohrbach**, San Francisco, CA (US); **Peter Russell-Clarke**, San Francisco, CA (US); **Christopher J. Stringer**, Woodside, CA (US); **Eugene Antony Whang**, San Francisco, CA (US); **Rico Zörkendörfer**, San Francisco, CA (US)

(73) Assignee: **APPLE INC.**, Cupertino, CA (US)

(**) Term: **15 Years**

(21) Appl. No.: **29/527,720**

(22) Filed: **May 21, 2015**

Related U.S. Application Data

(63) Continuation of application No. 29/479,056, filed on Jan. 10, 2014, now Pat. No. Des. 730,362, which is a (Continued)

(51) **LOC (10) Cl.** **14-02**

(52) **U.S. Cl.**
USPC **D14/440**

(58) **Field of Classification Search**
USPC D14/439, 440, 345, 341–344, 346, 371, D14/125–129, 327, 248; 206/320, 576, 206/305, 215, 232, 524, 425, 472, 224,

206/312, 387.13, 307, 387.1, 756; D3/286, 283, 295, 273, 303, 247, 215, D3/245, 232, 900, 249, 201, 276, 294, D3/301, 319, 203.1, 323, 227; 224/929; (Continued)

(56) **References Cited**

U.S. PATENT DOCUMENTS

144,315 A 11/1873 Cooper
1,347,839 A 7/1920 Coons
(Continued)

OTHER PUBLICATIONS

Case-Parts, “Original Targus Folding Genuine Leather Case for Apple iPad with Built-in Holder,” <http://www.case-parts.com/details/Original-Targus-Folding-Genuine-Leather-Casefor-Apple-iPad-with-Built-in-Holder-IPAD-570/photos.htm>, 3 pages.

(Continued)

Primary Examiner — Susan Moon Lee
(74) *Attorney, Agent, or Firm* — Sterne, Kessler, Goldstein & Fox P.L.L.C.

(57) **CLAIM**

The ornamental design for a cover, as shown and described.

DESCRIPTION

FIG. 1 is a front perspective view of a cover showing our new design;

FIG. 2 is a rear perspective view thereof;

FIG. 3 is a front view thereof;

FIG. 4 is a rear view thereof;

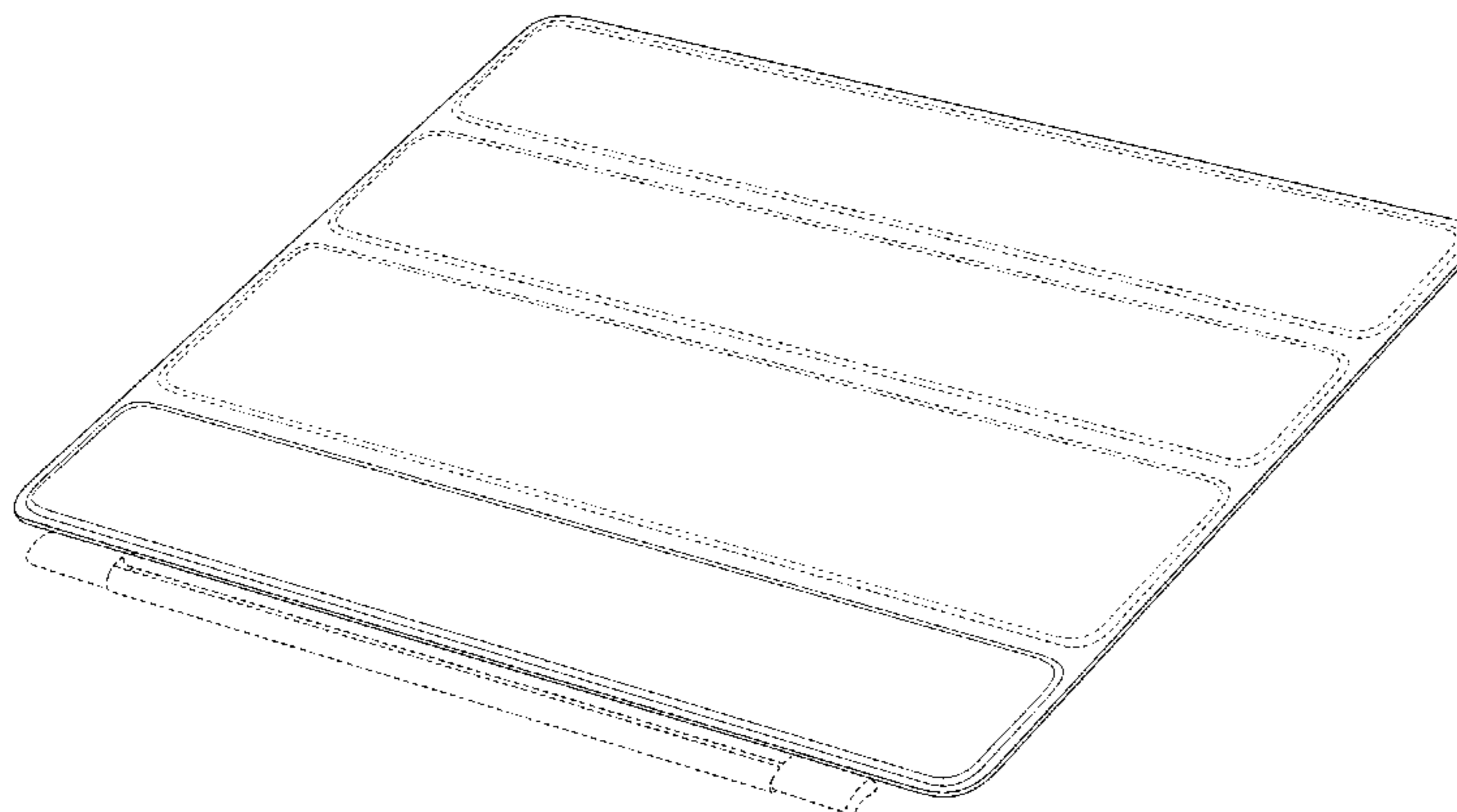
FIG. 5 is a bottom view thereof;

FIG. 6 is a top view thereof; and,

FIG. 7 is a side view thereof, the opposite side being a mirror image thereof.

The broken lines in the Figures show portions of the cover that form no part of the claimed design.

1 Claim, 6 Drawing Sheets



Related U.S. Application Data

continuation of application No. 29/455,191, filed on May 17, 2013, now Pat. No. Des. 697,512, which is a continuation of application No. 29/425,618, filed on Jun. 25, 2012, now Pat. No. Des. 682,836, and a continuation of application No. 29/432,296, filed on Sep. 14, 2012, now Pat. No. Des. 682,838, said application No. 29/425,618 is a continuation of application No. 29/384,903, filed on Feb. 4, 2011, now Pat. No. Des. 663,304, which is a continuation-in-part of application No. 29/375,197, filed on Sep. 17, 2010, now Pat. No. Des. 658,186, said application No. 29/432,296 is a continuation of application No. 29/418,778, filed on Apr. 20, 2012, now Pat. No. Des. 671,948, which is a continuation of application No. 29/375,197, filed on Sep. 17, 2010, now Pat. No. Des. 658,186.

(58) **Field of Classification Search**

USPC . 708/110; 190/109, 100, 119, 901; 361/683, 361/725, 681, 686, 679; 229/87.5, 229/67.1, 800; 220/522, 4.23; 345/169, 345/104, 156, 168, 173, 179, 672, 174; 150/147, 135; 402/2, 70-79, 500-502; 281/45, 38, 31, 29, 19.1, 34; D19/3, 26, D19/27, 33, 75, 86, 22, 90, 59, 60, 78, D19/83; D18/7, 17, 18; 383/97, 4, 110; 178/18.03, 18.01; 349/12; 428/332; D6/632, 407, 596, 601, 310, 611, 502, D6/583, 582, 595; 248/458; D13/102, D13/184; D20/18, 27, 42; 40/654.01, 536; D15/122; D21/480, 690; D25/48; D12/401, 182, 203, 400, 191; D24/205, D24/206, 200, 188, 207, 212, 215; 280/808; 112/420; 5/420; 604/308; 601/15, 108, 112, 60, 64, 70, 71; 160/370.23, 370.21; D7/629, 392.1; D28/7, 8, 83, 84, 82; 15/118; D32/40; 424/443; 442/123; D23/304; D9/435
 CPC A45C 13/002; A45C 13/02; A45C 13/005; A45C 13/34; A45C 3/02; A45C 5/02; A45C 15/00; A45C 11/00; A45C 2011/003; A45C 2011/002; A45C 2200/15; A45C 9/00; A45C 2013/025; A45C 7/00; G06F 1/1643; G06F 1/1647; G06F 1/1652; G06F 1/1654; G06F 1/1656; G06F 1/1632; G06F 1/1626; G06F 1/1628; G06F 1/203; G06F 1/1616; G06F 2200/1633; G06F 2200/1634; G06F 15/0216; A47G 1/141; B42D 15/008; G09F 9/305; F16M 13/00; F16M 11/38; A47B 23/044; A47B 23/043; A47B 2023/049; Y10S 248/918; Y10S 248/919; H05K 13/00; H05K 5/03; H05K 5/0013; H04M 1/04; B65D 85/00; H01H 13/702; H01H 2223/052; H01H 2223/05

See application file for complete search history.

(56) **References Cited**

U.S. PATENT DOCUMENTS

1,356,593 A 10/1920 Bettiker
 1,659,395 A 2/1928 Douglas
 D104,699 S 5/1937 Pilliod

2,165,255 A 7/1939 Hamilton
 2,222,665 A 11/1940 Hoenigsberg
 D123,984 S 12/1940 Pichel
 2,279,164 A 4/1942 Gettleman
 D137,864 S 5/1944 Jolles
 D164,628 S 9/1951 Davis
 D167,065 S 6/1952 Bohanan
 D167,743 S 9/1952 Dorfman
 2,631,046 A 3/1953 Stephens
 2,726,835 A 12/1955 Hummel
 2,834,703 A 5/1958 Atkinson
 2,983,431 A 5/1961 Turan
 3,015,834 A 1/1962 Marrinson et al.
 3,195,850 A 7/1965 Steiner
 3,257,128 A 6/1966 Schneider
 3,305,205 A 2/1967 Frankl
 3,336,610 A 8/1967 Geddings
 3,380,701 A 4/1968 Byars
 3,410,516 A 11/1968 Criswell
 1,460,744 A 8/1969 Turkenkopf
 3,587,578 A 6/1971 Walker
 D222,602 S 11/1971 Petrie
 3,735,516 A 5/1973 Wenstrom
 3,758,065 A 9/1973 Ranseen
 D230,376 S 2/1974 Andrew
 3,797,146 A 3/1974 Holes
 D232,825 S 9/1974 Gerber
 3,970,332 A 7/1976 Alford, Jr.
 D245,458 S 8/1977 Hauss et al.
 4,044,942 A 8/1977 Sherwood
 D251,082 S 2/1979 Petrie
 4,143,847 A 3/1979 Cross
 D255,523 S 6/1980 Yarabinec
 D255,524 S 6/1980 Yarabinec
 D258,723 S 3/1981 Cornou
 4,310,117 A 1/1982 Gullett
 D265,561 S 7/1982 Cottrell
 4,416,375 A 11/1983 Braverman et al.
 D274,493 S 7/1984 Dyby
 D275,153 S 8/1984 Weinreb
 4,520,958 A 6/1985 Jones et al.
 4,566,720 A 1/1986 Goldman et al.
 D283,231 S 4/1986 Bradenburger
 4,592,358 A 6/1986 Westplate
 4,607,817 A 8/1986 Aquino
 4,621,729 A 11/1986 Jackson
 4,629,070 A 12/1986 Roberg
 4,643,544 A 2/1987 Loughran
 4,671,334 A 6/1987 Yadegar et al.
 4,693,495 A 9/1987 LaPointe
 4,703,160 A 10/1987 Narishima et al.
 D293,428 S 12/1987 Watts
 D296,006 S 5/1988 Asche
 D297,228 S 8/1988 Harpaz et al.
 4,765,462 A 8/1988 Rose, Jr.
 4,787,766 A 11/1988 Lorsch
 4,877,074 A 10/1989 Castellano
 D306,438 S 3/1990 Garmon et al.
 D306,850 S 3/1990 Beedy
 D308,760 S 6/1990 King
 D310,987 S 10/1990 Law et al.
 D311,688 S 10/1990 Hodge
 D312,130 S 11/1990 Jones
 D312,214 S 11/1990 Hodge
 D312,835 S 12/1990 Holm
 D313,964 S 1/1991 Fuller
 5,000,319 A 3/1991 Mermelstein
 D317,329 S 6/1991 Annand
 D318,372 S 7/1991 Mackey
 D319,016 S 8/1991 Kahl
 D320,274 S 9/1991 Douglas
 D321,091 S 10/1991 Dickinson
 D321,761 S 11/1991 Shimizu
 5,066,158 A 11/1991 Huang
 1,331,191 A 1/1992 Ventola et al.
 5,092,354 A 3/1992 Pacelli, Jr.
 D325,637 S 4/1992 O'Brien et al.
 D327,046 S 6/1992 Eskandry et al.
 D329,747 S 9/1992 Embree

(56)

References Cited

U.S. PATENT DOCUMENTS

5,179,944 A	1/1993	McSymytz	D548,782 S	8/2007	Nash
D341,373 S	11/1993	Stern	D550,137 S	9/2007	Kraines
D345,014 S	3/1994	Huffman	D551,265 S	9/2007	Brinson
5,337,985 A	8/1994	Hale	D553,410 S	10/2007	Kramer
D352,357 S	11/1994	Ashley	D557,347 S	12/2007	Nishimoto
D356,120 S	3/1995	Allen	D560,383 S	1/2008	Woods
5,431,449 A	7/1995	Arimoto et al.	7,318,521 B2	1/2008	Lau
D360,778 S	8/1995	Apt, III et al.	7,322,063 B2	1/2008	Esimai
5,439,101 A	8/1995	Brink et al.	D564,223 S	3/2008	Messineo
5,450,858 A	9/1995	Zablotsky et al.	D565,196 S	3/2008	Mock et al.
D364,191 S	11/1995	Allen	D566,111 S	4/2008	Nakagawa
5,480,192 A	1/1996	Angerbauer et al.	D572,709 S	7/2008	Nakagawa et al.
5,487,566 A	1/1996	Hedge, Jr.	7,398,868 B2	7/2008	Morszeck
D369,998 S	5/1996	Eskandry	D574,385 S	8/2008	Koh et al.
1,370,177 A	5/1996	Bankier	D574,386 S	8/2008	Bailo
D370,650 S	6/1996	Eskandry	D574,962 S	8/2008	Atkins et al.
5,566,871 A	10/1996	Weintraub	7,435,103 B2	10/2008	Ma
D383,213 S	9/1997	Ingram	D581,857 S	12/2008	Bogard
D389,509 S	1/1998	Yasoshima	D581,859 S	12/2008	Bogard
D389,646 S	1/1998	Sankey et al.	D581,865 S	12/2008	Koza
D390,007 S	2/1998	Ahern, Jr.	D582,047 S	12/2008	Yim
D391,298 S	2/1998	Johnson et al.	D582,475 S	12/2008	Guest
5,722,628 A	3/1998	Menaged	D583,479 S	12/2008	Yim
D405,200 S	2/1999	Hines	D583,959 S	12/2008	Yim
D406,463 S	3/1999	Rutledge	D584,141 S	1/2009	Smith et al.
5,887,723 A	3/1999	Myles et al.	D584,612 S	1/2009	Ianello
5,902,256 A	5/1999	Benaron	D587,797 S	3/2009	Blanchard
D411,353 S	6/1999	Dickinson et al.	D587,812 S	3/2009	Uchiyama et al.
5,996,778 A	12/1999	Shih	D592,402 S	5/2009	Ahlgrim et al.
D418,867 S	1/2000	Platte, III	D596,305 S	7/2009	Usui et al.
6,122,785 A	9/2000	Bondie et al.	D597,302 S	8/2009	Adams et al.
D432,477 S	10/2000	Gorodetsky	D599,286 S	9/2009	Horito et al.
D435,171 S	12/2000	Anderson	D599,484 S	9/2009	Gray et al.
D436,179 S	1/2001	Small	D599,761 S	9/2009	Birsel et al.
D442,321 S	5/2001	Cheng	D599,959 S	9/2009	Washington
D445,744 S	7/2001	Hsing	D600,699 S	9/2009	Johnston et al.
D446,982 S	8/2001	Block	7,584,841 B2	9/2009	Chan et al.
6,289,968 B1	9/2001	Karten et al.	D601,369 S	10/2009	Mock et al.
D449,927 S	11/2001	Dorizas	D602,598 S	10/2009	Yim
6,388,872 B1	5/2002	Liao et al.	D603,906 S	11/2009	Miller et al.
6,427,371 B2	8/2002	Olson et al.	D604,727 S	11/2009	Chu et al.
D467,429 S	12/2002	Bone et al.	D605,940 S	12/2009	Lin
6,493,969 B2	12/2002	Devos	D606,119 S	12/2009	Miller et al.
D468,868 S	1/2003	Thorpe et al.	D606,120 S	12/2009	Miller et al.
6,527,330 B1	3/2003	Steffens et al.	D606,121 S	12/2009	Miller et al.
D473,939 S	4/2003	Hantke et al.	D607,253 S	1/2010	McCammon
D473,940 S	4/2003	Hantke et al.	D607,255 S	1/2010	Sunseri
6,539,653 B1	4/2003	Finke	7,643,274 B2	1/2010	Bekele
6,543,949 B1	4/2003	Ritchey et al.	D609,360 S	2/2010	Yim
6,568,005 B2	5/2003	Fleming et al.	D609,912 S	2/2010	Kyono et al.
D480,971 S	10/2003	DeLuca et al.	D613,062 S	4/2010	Romero et al.
6,634,691 B2	10/2003	Henderson	D613,982 S	4/2010	Wilson et al.
D484,736 S	1/2004	Sarnoff	D616,930 S	6/2010	Engel et al.
D485,837 S	1/2004	Tseng et al.	7,735,644 B2	6/2010	Sirichai et al.
D487,521 S	3/2004	Link	D620,122 S	7/2010	Cotton
D487,551 S	3/2004	Lee	D620,877 S	8/2010	Rusher et al.
6,702,359 B2	3/2004	Armstrong et al.	D622,061 S	8/2010	Higginson
6,763,942 B1	7/2004	Yeh	D623,940 S	9/2010	Ianello
D494,469 S	8/2004	Solowiejko	D624,615 S	9/2010	Kusmierz
6,772,879 B1	8/2004	Domotor	D627,078 S	11/2010	Matsuo et al.
D496,322 S	9/2004	Farney et al.	D627,117 S	11/2010	Hale
D498,308 S	11/2004	Mock	D627,309 S *	11/2010	Snyder D13/171
D505,041 S	5/2005	Lesosky	D627,775 S	11/2010	Li
6,887,486 B2	5/2005	Gregoire	D628,004 S	11/2010	Moorefield
D511,838 S	11/2005	Vedra	D628,132 S	11/2010	Grzyb et al.
D521,553 S	5/2006	Sterman	D628,197 S	11/2010	Li
7,037,021 B2	5/2006	Raschke	D628,705 S	12/2010	Usui et al.
D527,535 S	9/2006	Sturba et al.	D628,706 S	12/2010	Usui et al.
D533,347 S	12/2006	Andre et al.	D629,195 S	12/2010	Jusic
D538,096 S	3/2007	Bartell et al.	D629,914 S	12/2010	Hunter
D538,575 S	3/2007	Bartell et al.	D631,912 S	2/2011	Epstein
D544,922 S	6/2007	Shaffer	D632,660 S	2/2011	Donowho et al.
7,227,741 B2	6/2007	Garel et al.	D633,388 S	3/2011	Andre et al.
7,236,357 B2	6/2007	Chen	D633,673 S	3/2011	McKnight
D546,295 S *	7/2007	Marchetto D13/168	D633,879 S	3/2011	Heng et al.
			D635,135 S	3/2011	Li
			D635,564 S	4/2011	Li
			D637,399 S	5/2011	Romero et al.
			D637,814 S	5/2011	Akana et al.

(56)

References Cited

U.S. PATENT DOCUMENTS

D638,526 S	5/2011	Newman	2007/0279855 A1	12/2007	Linsmeier et al.
D638,627 S	5/2011	Romero et al.	2008/0167095 A1	7/2008	Kim et al.
D640,089 S	6/2011	Green et al.	2008/0174946 A1	7/2008	Chen et al.
D640,641 S *	6/2011	Felegy, Jr. D13/158	2009/0000169 A1	1/2009	Houssain et al.
D641,720 S	7/2011	Heng et al.	2009/0017883 A1	1/2009	Lin
D643,433 S	8/2011	Hsieh et al.	2009/0107858 A1	4/2009	Huang
8,143,982 B1	3/2012	Lauder et al.	2009/0128785 A1	5/2009	Silverstein
D658,186 S	4/2012	Akana et al.	2009/0159763 A1	6/2009	Kim
D658,187 S	4/2012	Diebel	2009/0194209 A1	8/2009	De Filippis et al.
D658,188 S	4/2012	Diebel	2009/0314400 A1	12/2009	Liu
D662,100 S	6/2012	Van Den Nieuwenhuizen et al.	2010/0122924 A1	5/2010	Andrews
D663,304 S	7/2012	Akana et al.	2010/0294683 A1	11/2010	Mish et al.
8,245,843 B1	8/2012	Wu	2011/0162987 A1	7/2011	Bekele
8,253,518 B2	8/2012	Lauder et al.	2011/0163642 A1	7/2011	Rohrbach et al.
D669,866 S *	10/2012	Gilbert D10/49	2011/0221319 A1	9/2011	Law et al.
8,281,924 B2	10/2012	Westrup	2011/0227463 A1	9/2011	Hou et al.
D671,114 S	11/2012	Akana et al.	2011/0266194 A1	11/2011	Bau
D671,948 S	12/2012	Akana et al.	2011/0284420 A1	11/2011	Sajid
D672,781 S	12/2012	Lu	2011/0290687 A1	12/2011	Han
D673,158 S	12/2012	Yang et al.	2012/0037523 A1	2/2012	Diebel et al.
D678,260 S	3/2013	Bau	2012/0069502 A1	3/2012	Lauder et al.
D679,279 S	4/2013	Yang et al.	2012/0125791 A1	5/2012	Parker et al.
D679,715 S	4/2013	Akana et al.	2012/0146466 A1	6/2012	Lu et al.
D681,641 S	5/2013	Van Den Nieuwenhuizen et al.	2012/0147541 A1	6/2012	Chen et al.
D682,836 S	5/2013	Akana et al.	2012/0153116 A1	6/2012	Harrison
D685,801 S	7/2013	Canizares et al.	2012/0181195 A1	6/2012	Lu et al.
D685,803 S	7/2013	Akana et al.	2012/0205277 A1*	8/2012	Chang A45C 11/00 206/472
D686,627 S	7/2013	Akana et al.	2012/0248277 A1	10/2012	Yang et al.
D687,438 S	8/2013	Lu	2012/0268891 A1*	10/2012	Cencioni G06F 1/1626 361/679.55
D688,251 S	8/2013	Akana et al.	2012/0305413 A1	12/2012	Chung
D688,669 S	8/2013	Akana et al.	2012/0325838 A1*	12/2012	Huang G06F 1/1628 220/810
D689,498 S	9/2013	Akana et al.	2013/0020216 A1	1/2013	Chiou
D689,870 S	9/2013	Fong et al.	2013/0043148 A1	2/2013	Chen et al.
8,525,372 B2 *	9/2013	Huang H01H 9/0271 200/329	2013/0048514 A1	2/2013	Corcoran et al.
D690,702 S	10/2013	Chung	2013/0075280 A1	3/2013	Besner
D691,142 S *	10/2013	Diebel D14/440	2013/0076614 A1*	3/2013	Ive G06F 1/1677 345/156
D691,143 S	10/2013	Diebel	2013/0093304 A1*	4/2013	Childs A45C 11/00 312/240
D691,611 S	10/2013	Kirzinger	2013/0099636 A1*	4/2013	Igarashi H05K 5/03 312/223.1
D696,253 S	12/2013	Akana et al.	2013/0134061 A1	5/2013	Wu et al.
D696,669 S	12/2013	Akana et al.	2013/0140194 A1	6/2013	Han
D697,512 S	1/2014	Akana et al.	2013/0140203 A1	6/2013	Chiang
8,657,112 B2	2/2014	Igarashi	2013/0146482 A1	6/2013	Huang
D703,209 S	4/2014	Marcus	2013/0233762 A1*	9/2013	Balaji B65D 25/00 206/736
D704,702 S	5/2014	Akana et al.	2013/0284615 A1	10/2013	Lee
D706,270 S	6/2014	Akana et al.	2013/0328825 A1*	12/2013	Brown G06F 3/01 345/174
D706,732 S *	6/2014	Altonen D13/177	2014/0028903 A1*	1/2014	Ohtaka H04N 5/2252 348/373
D708,836 S	7/2014	Lee	2014/0036438 A1*	2/2014	Gioscia G06F 1/1628 361/679.55
D711,887 S	8/2014	Akana et al.	2014/0083883 A1*	3/2014	Elias G06F 1/1626 206/320
D713,048 S *	9/2014	Ogaki D24/200	2014/0092008 A1*	4/2014	Hsu G06F 3/0227 345/156
D713,402 S *	9/2014	Akana D14/341	2014/0131225 A1*	5/2014	Couch, III A45C 11/00 206/45.24
D713,848 S	9/2014	Akana et al.	2014/0131251 A1*	5/2014	Westrup A45C 11/00 206/756
D717,743 S *	11/2014	Larkin D13/164	2014/0202889 A1*	7/2014	Kim A45C 11/00 206/45.23
D719,956 S	12/2014	Akana et al.	2014/0202891 A1*	7/2014	Piatt A45C 13/34 206/45.24
8,915,357 B2	12/2014	Mecchella	2014/0246340 A1*	9/2014	Jiang A45C 11/00 206/45.23
8,919,544 B2	12/2014	Lee	2014/0274215 A1*	9/2014	Del Toro G06F 1/1628 455/566
D720,756 S	1/2015	Stavarakakis	2014/0284228 A1*	9/2014	Chiou G06F 1/1626 206/45.23
D721,081 S	1/2015	Hirst	2014/0291174 A1*	10/2014	Chung G06F 1/1656 206/45.23
8,960,421 B1 *	2/2015	Diebel G06F 1/1679 206/320			
D733,073 S *	6/2015	Larkin D13/164			
D746,996 S *	1/2016	Karlsson D24/189			
D752,593 S *	3/2016	Diebel D14/440			
D759,313 S *	6/2016	McCarthy D28/63			
2003/0104036 A1	6/2003	Gregoire			
2003/0150756 A1	8/2003	Kajiya			
2004/0005184 A1	1/2004	Kim et al.			
2004/0240164 A1	12/2004	Lee			
2005/0001021 A1	1/2005	Hutchinson			
2005/0021114 A1	1/2005	Hidaka			
2005/0087274 A1	4/2005	Ouyang			
2005/0246851 A1	11/2005	Cline			
2006/0103272 A1	5/2006	Chen et al.			
2006/0285283 A1	12/2006	Simonian et al.			
2007/0014079 A1	1/2007	Chen			

(56)

References Cited

U.S. PATENT DOCUMENTS

2014/0291175 A1* 10/2014 Chung G06F 1/1656
 206/45.23
 2014/0291177 A1* 10/2014 Ko G06F 1/1626
 206/45.23
 2015/0001105 A1* 1/2015 Nyholm A45C 11/00
 206/45.2
 2015/0041341 A1* 2/2015 Marshall A45C 11/00
 206/45.2
 2015/0065208 A1* 3/2015 Balaji H04M 1/04
 455/575.8
 2015/0151887 A1* 6/2015 Huang A45C 11/00
 224/191
 2015/0237979 A1* 8/2015 Huang A45C 11/00
 206/45.25
 2015/0263776 A1* 9/2015 Shyu A45C 13/002
 455/575.8
 2015/0266610 A1* 9/2015 Melmon B65D 5/5206
 206/45.23
 2015/0280768 A1* 10/2015 Huang H04B 1/3888
 455/575.8
 2015/0282354 A1* 10/2015 Spollen A45C 11/00
 206/45.2

OTHER PUBLICATIONS

Incase, "Introducing the Convertible Magazine Jacket for iPad,"
 goincase.com, accessed at <http://goincase.com/blog/2010/11/23/introducing-the-convertible-magazine-jacket-for-ipad/>, posted Nov. 23, 2010, 7 pages.

* cited by examiner

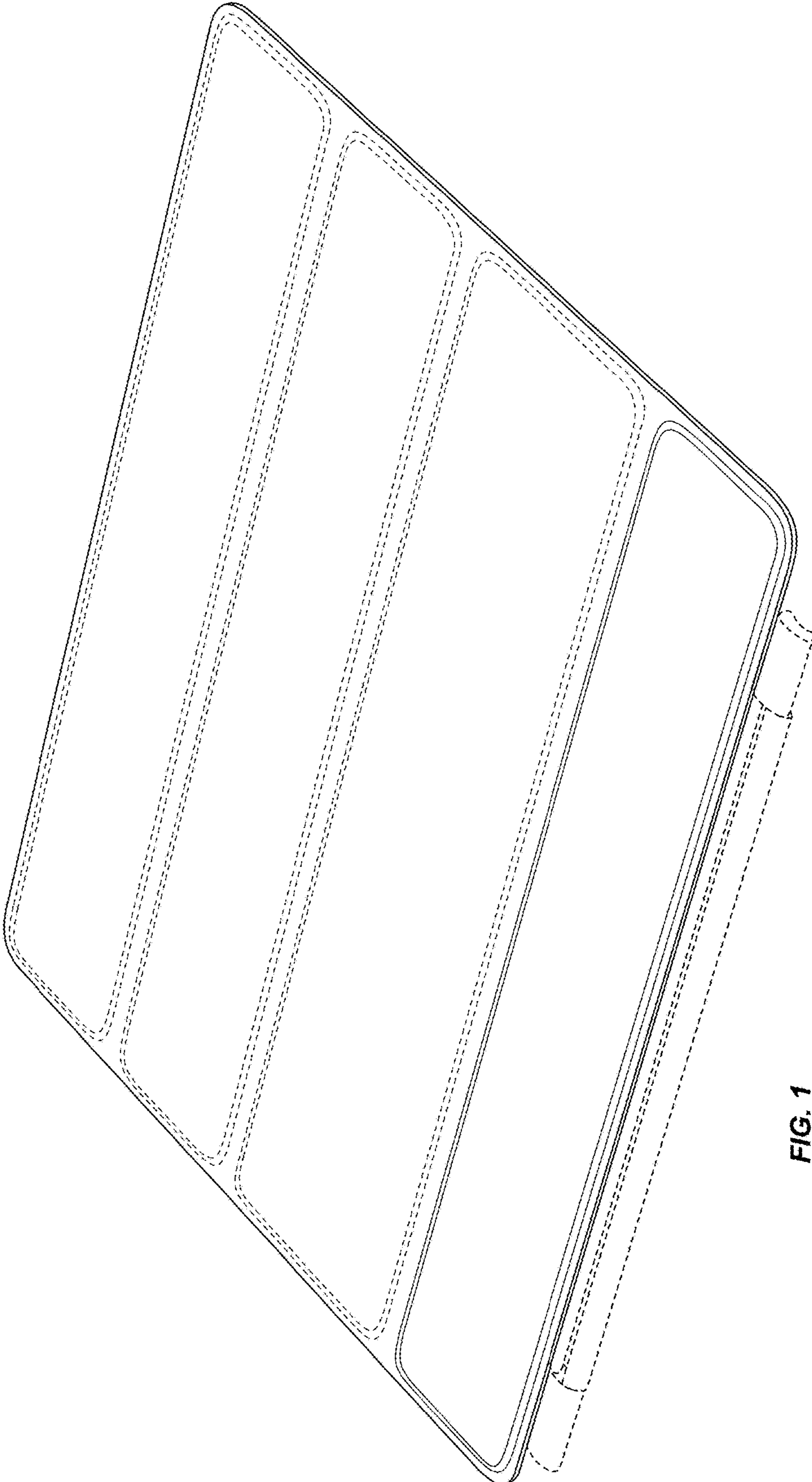


FIG. 1

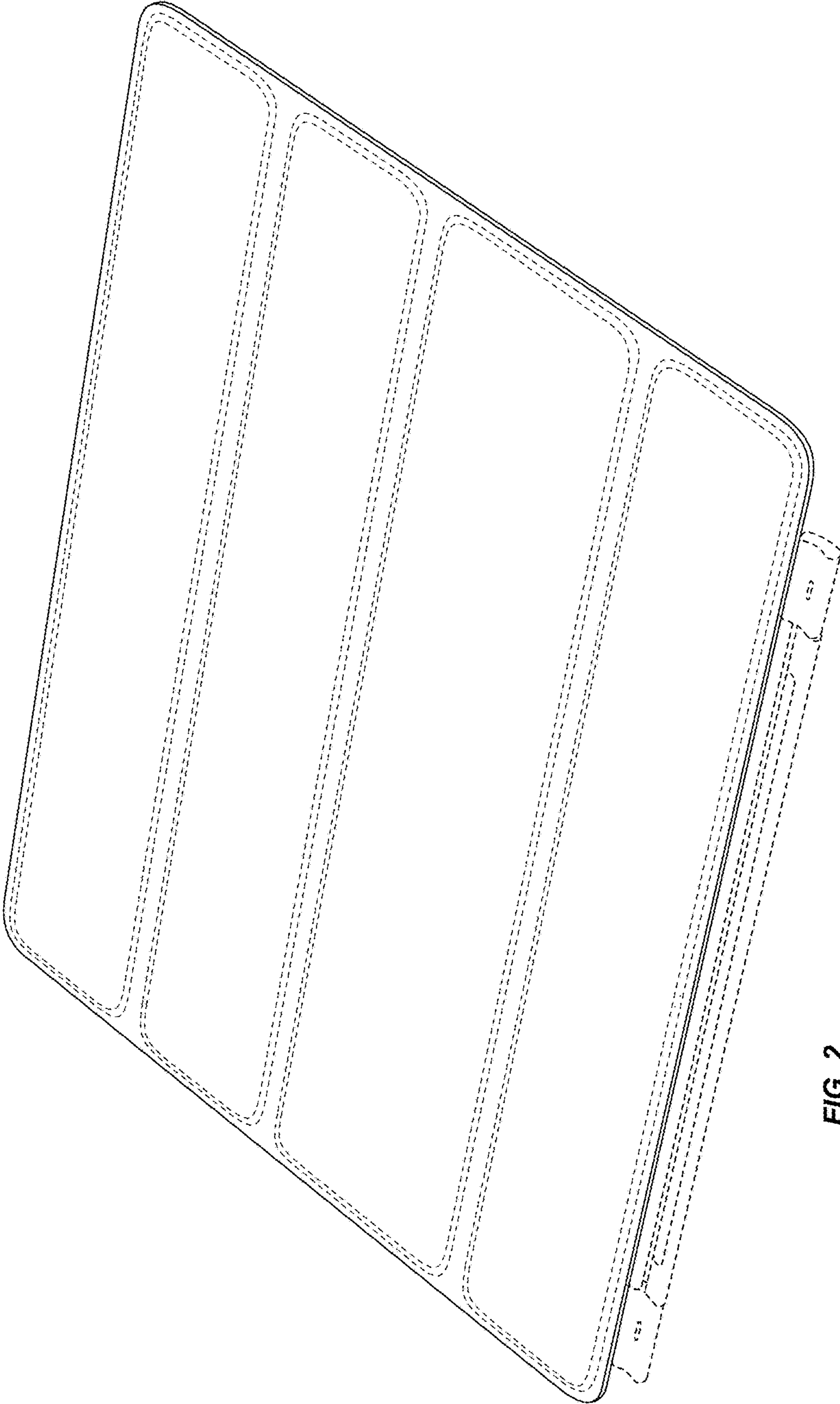


FIG. 2

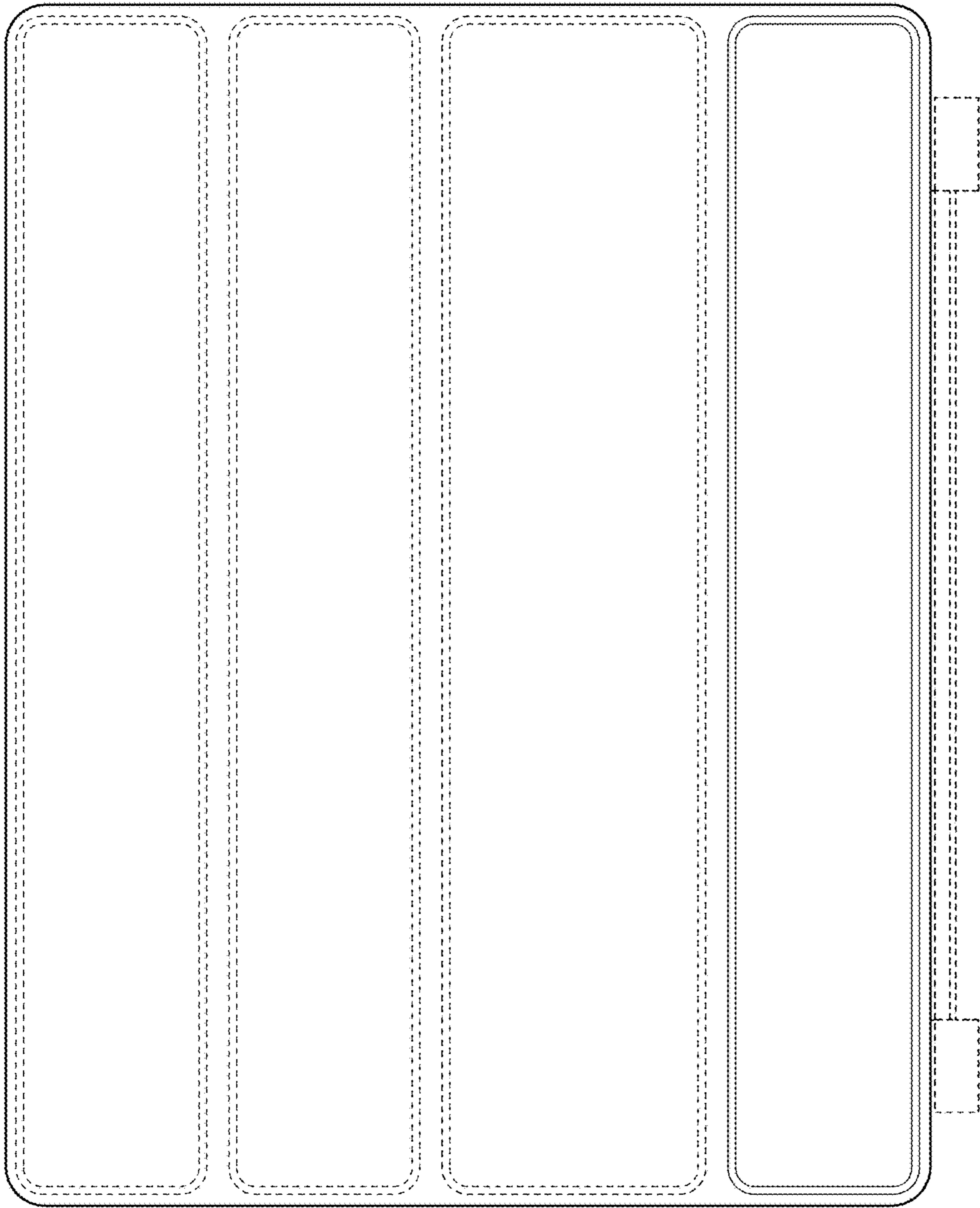


FIG. 3

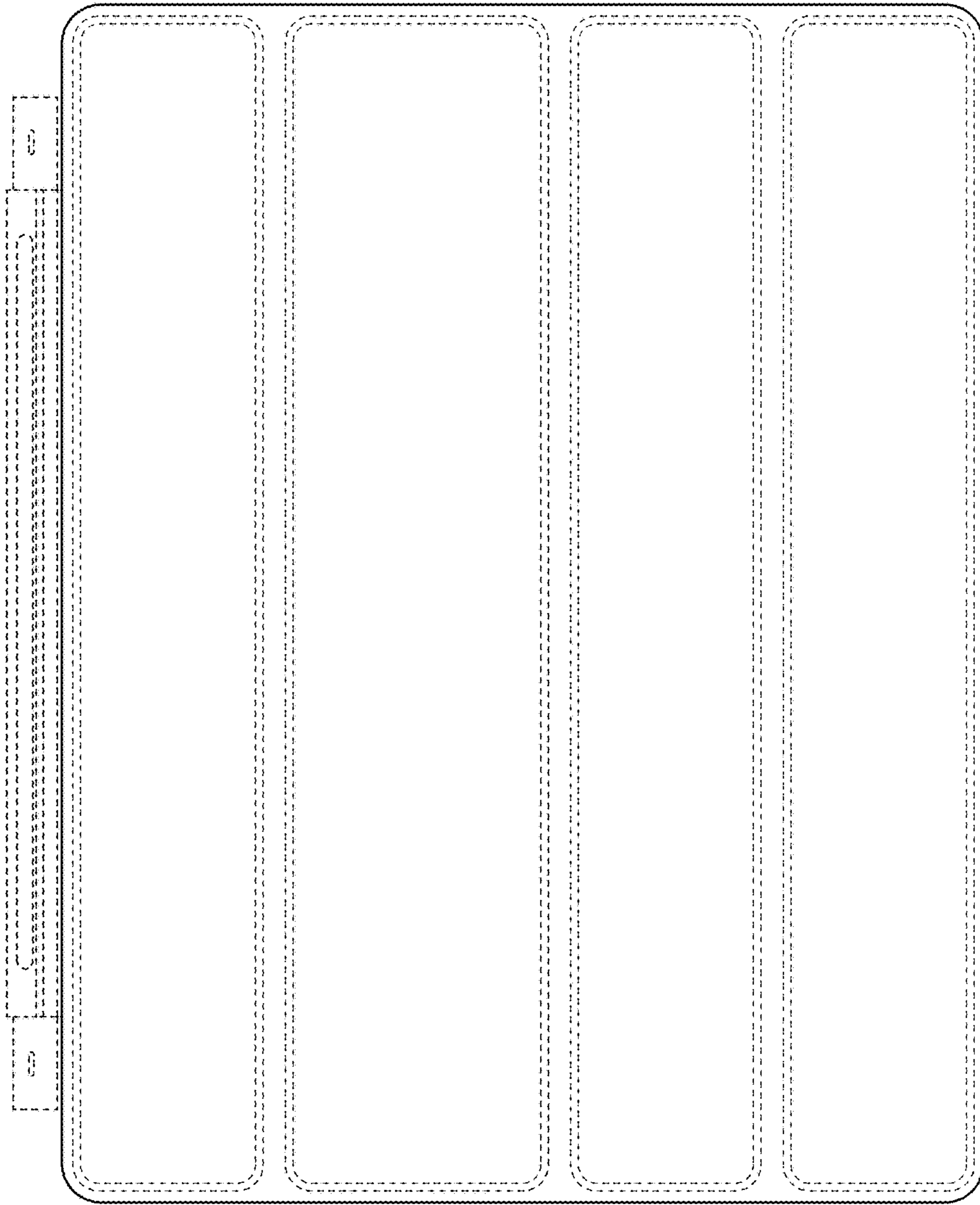


FIG. 4

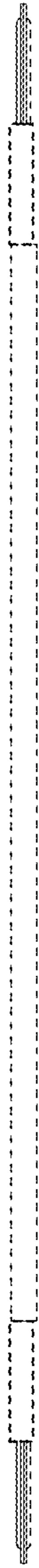


FIG. 5



FIG. 6

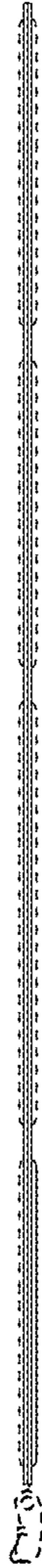


FIG. 7