



US00D773469S

(12) **United States Design Patent** (10) **Patent No.:** **US D773,469 S**
Ellis, II (45) **Date of Patent:** **** Dec. 6, 2016**

(54) **OPTICAL DRIVE WITH REMOVABLE SSD**

2004/0017651 A1* 1/2004 Gan G06F 1/187
361/679.58
2006/0285287 A1* 12/2006 Chen G06F 1/187
361/679.33
2007/0153467 A1* 7/2007 Chen G06F 1/187
361/679.31

(71) Applicant: **Sunland International, LLC,**
Campbell, CA (US)

(72) Inventor: **Murray Ellis, II,** Cupertino, CA (US)

(73) Assignee: **SUNLAND INTERNATIONAL, LLC,**
Campbell, CA (US)

(**) Term: **15 Years**

(21) Appl. No.: **29/545,224**

(22) Filed: **Nov. 10, 2015**

(51) **LOC (10) Cl.** **14-02**

(52) **U.S. Cl.**
USPC **D14/439; D14/432**

(58) **Field of Classification Search**
USPC D14/300-302, 308-313, 314,
348, D14/353-355, 432, 439-446, 240;
361/679.02, 361/679.31, 679.5, 690, 694,
679.23, 801, 802; 312/332.1, 334.1;
D13/162; D10/50
CPC A45C 11/00; A45C 2011/003; B60R
11/0241; B60R 11/0252; F16M
13/00; F16M 11/00
See application file for complete search history.

(56) **References Cited**

U.S. PATENT DOCUMENTS

D416,885 S * 11/1999 Hirai D14/436
D442,964 S * 5/2001 Ohtani D14/436
6,644,481 B2 * 11/2003 Dean H05K 7/1489
211/190
6,969,131 B2 * 11/2005 Chen G06F 1/184
312/223.2
D556,204 S * 11/2007 Tosh D14/439
D565,573 S * 4/2008 Alo D14/435
D754,665 S * 4/2016 Zhang D14/432

* cited by examiner

Primary Examiner — Austin Murphy
(74) *Attorney, Agent, or Firm* — Michael K. Bosworth;
IPxLaw Group LLP

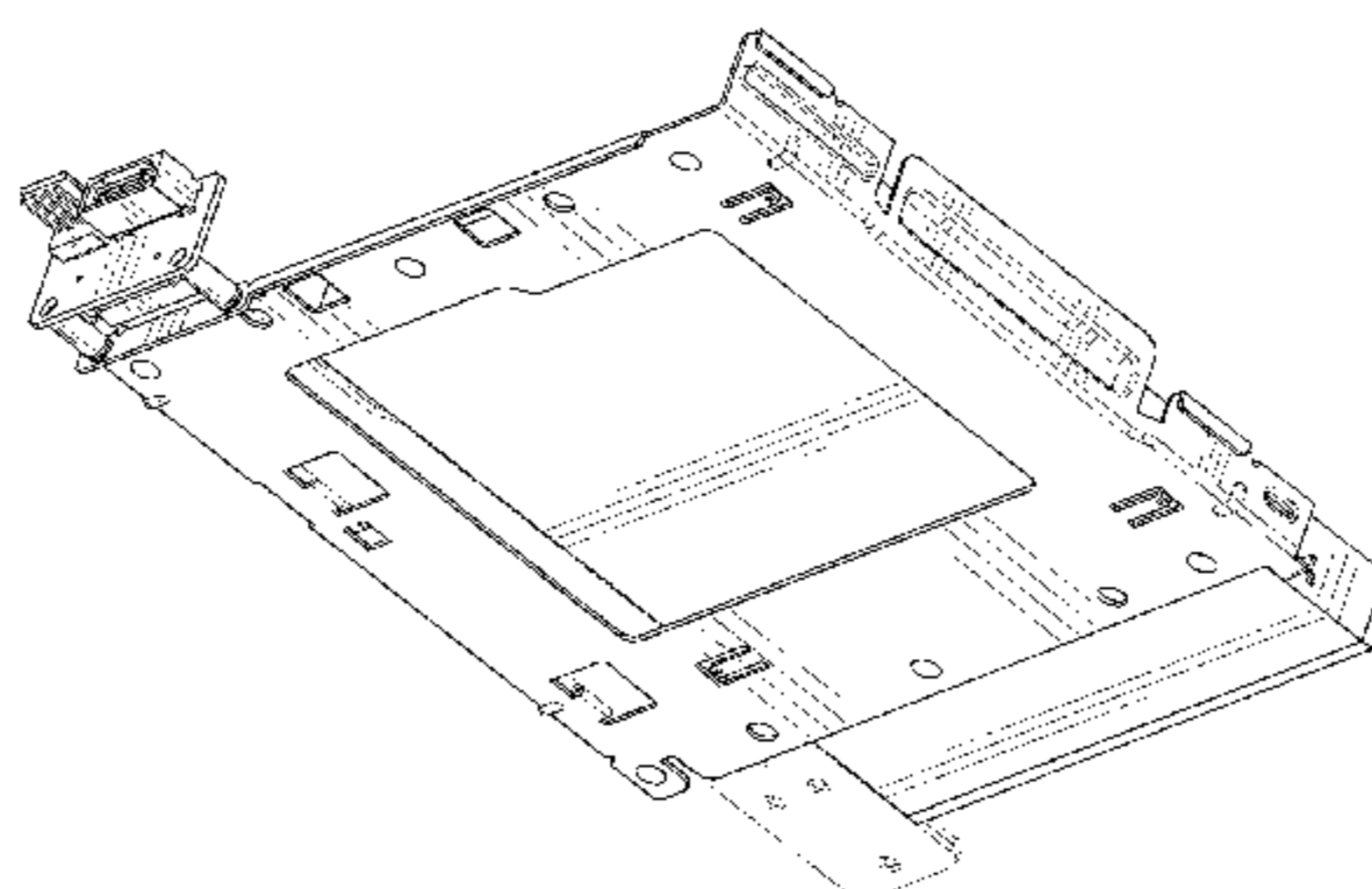
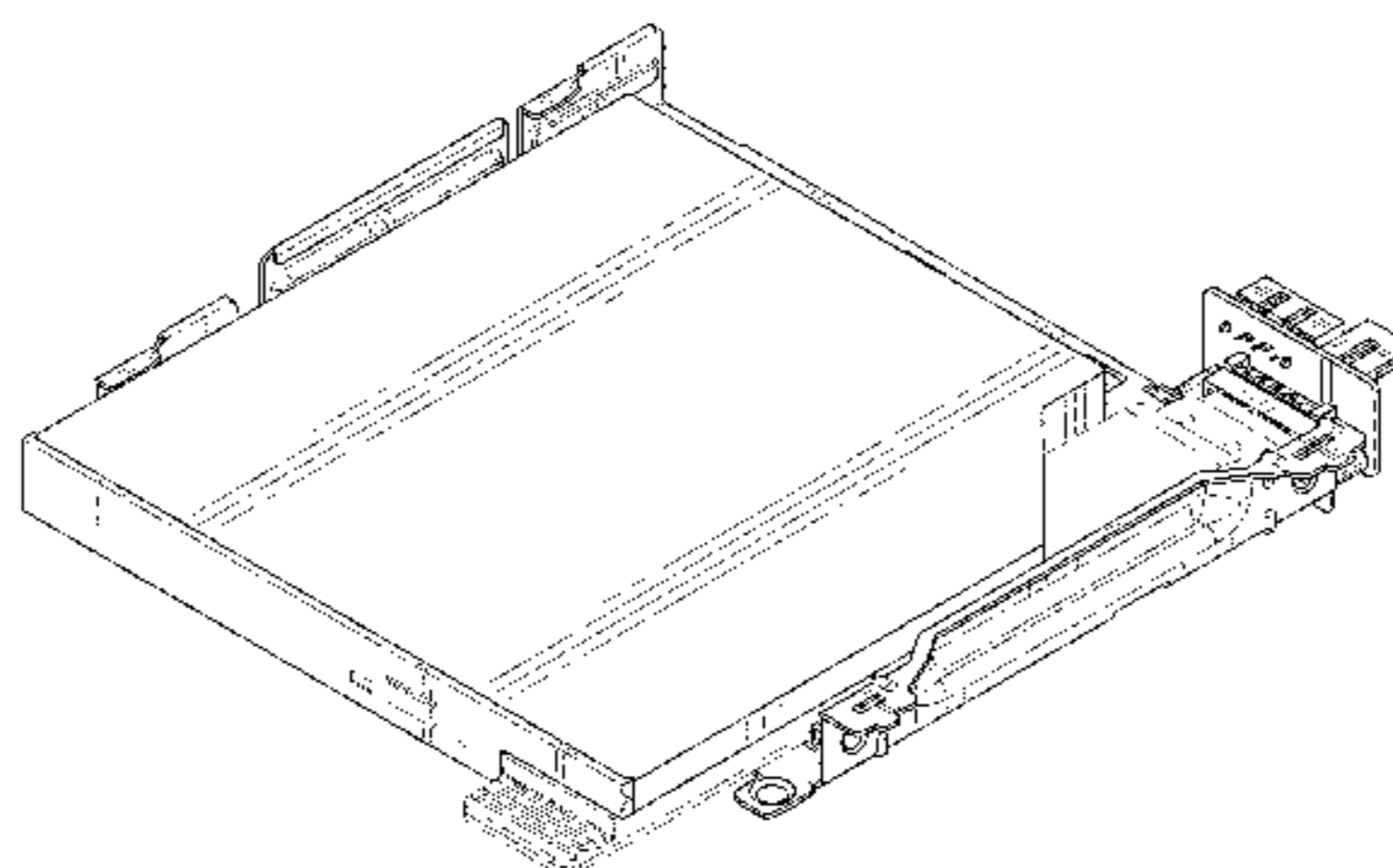
(57) **CLAIM**

The ornamental design for an optical drive with removable SSD, as shown and described.

DESCRIPTION

FIG. 1 is a front perspective view of the optical drive with removable SSD;
FIG. 2 is a rear perspective view of the optical drive with removable SSD;
FIG. 3 is a front view of the optical drive with removable SSD;
FIG. 4 is a rear view of the optical drive with removable SSD;
FIG. 5 is a left view of the optical drive with removable SSD;
FIG. 6 is a right view of the optical drive with removable SSD late;
FIG. 7 is a top view of the optical drive with removable SSD; and,
FIG. 8 is a bottom view of the optical drive with removable SSD.

1 Claim, 8 Drawing Sheets



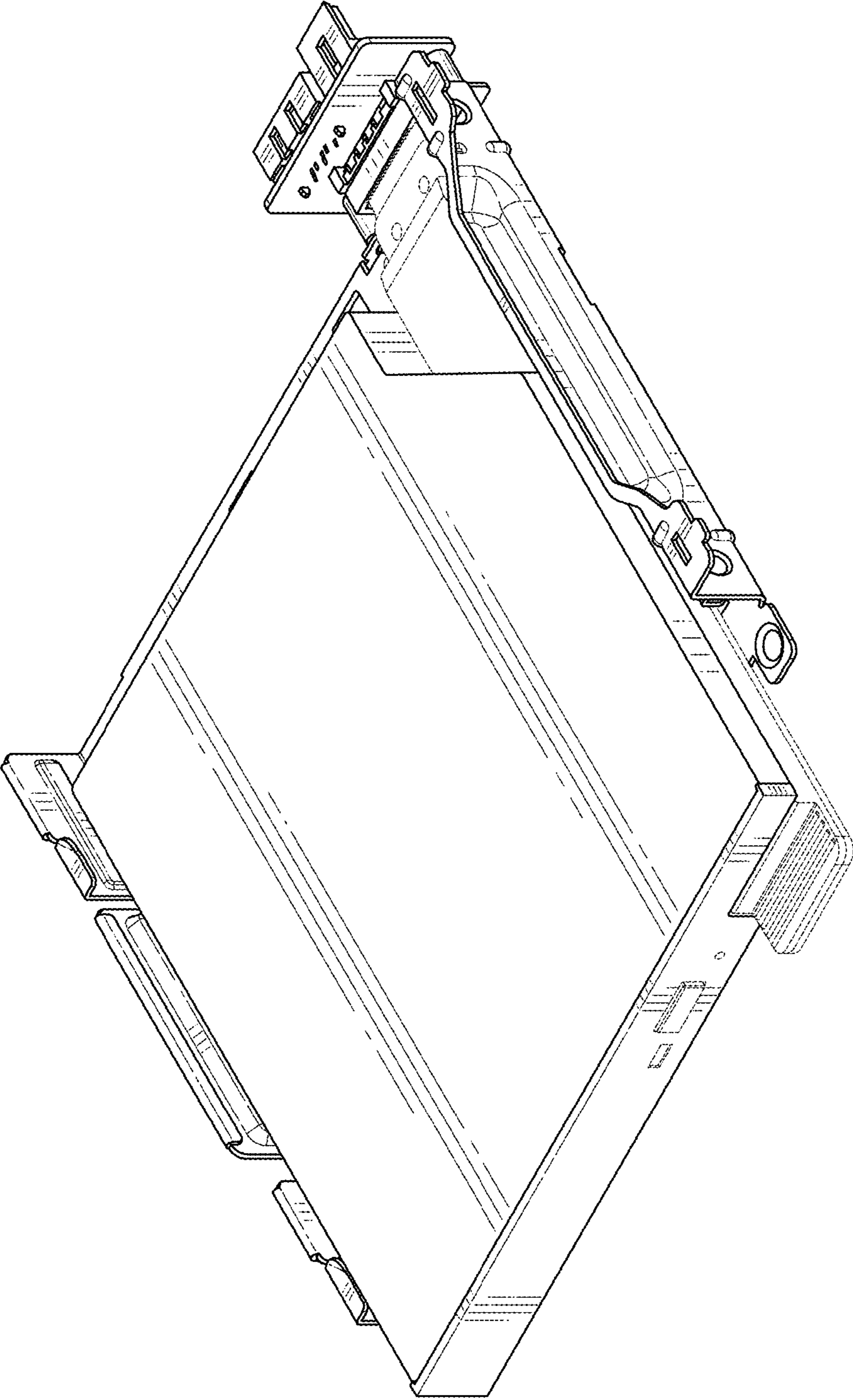


FIG. 1

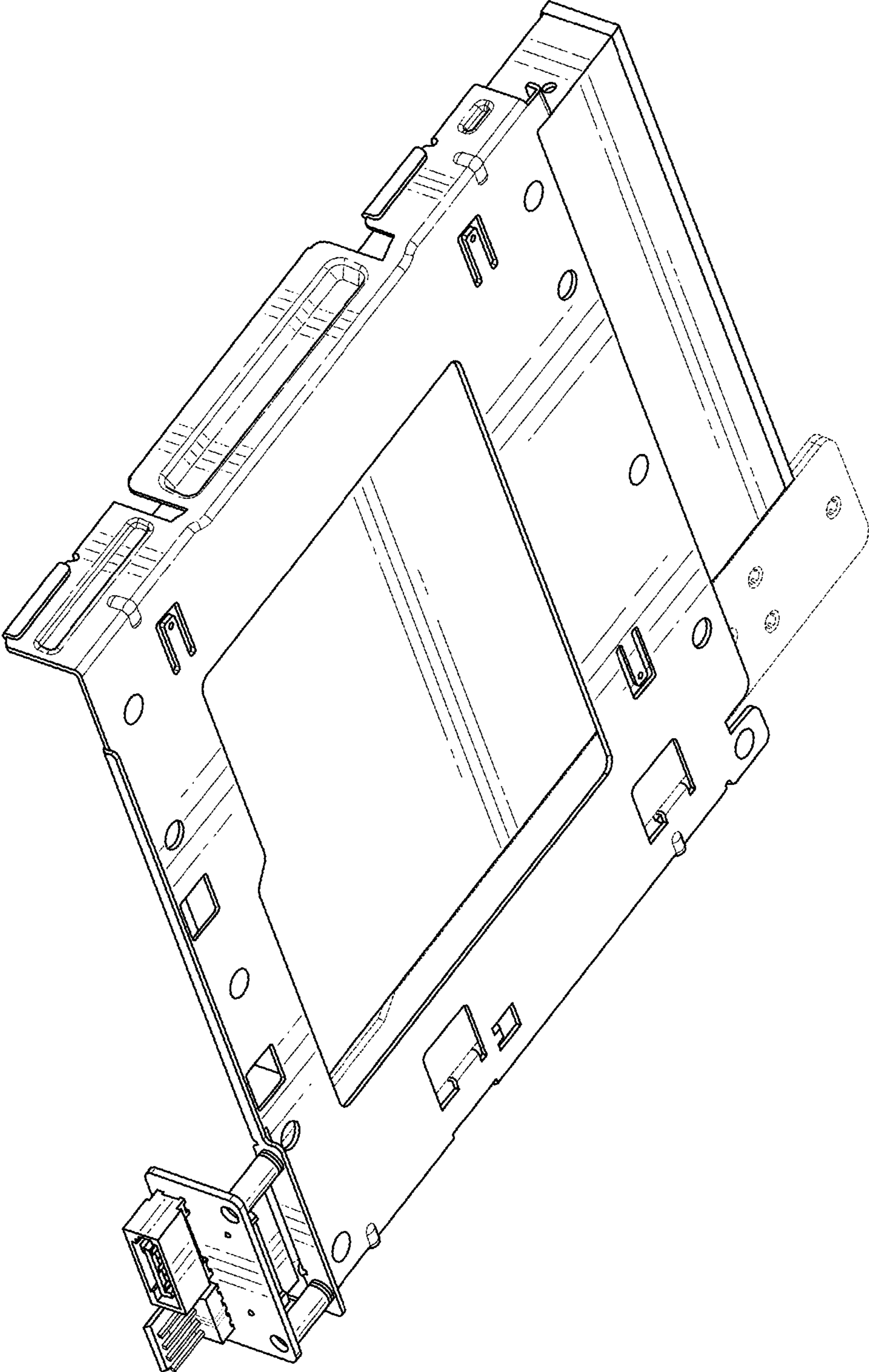


FIG. 2

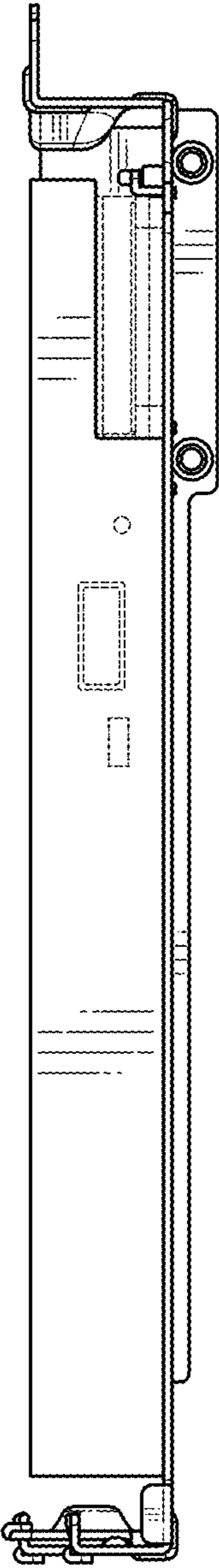


FIG. 3

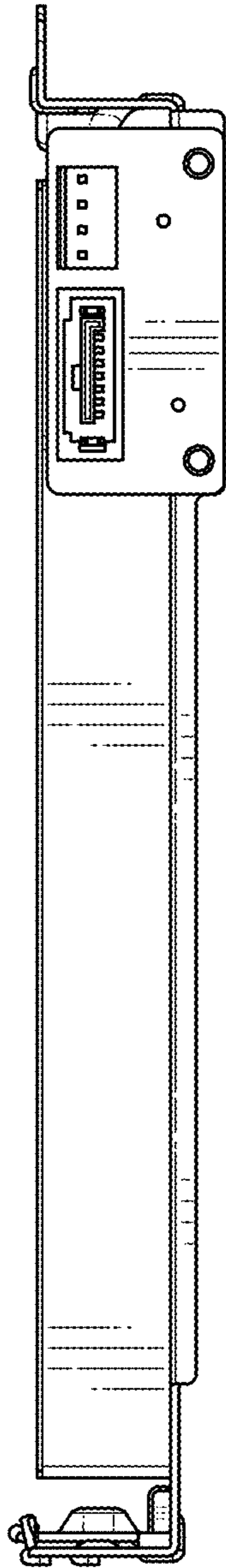


FIG. 4

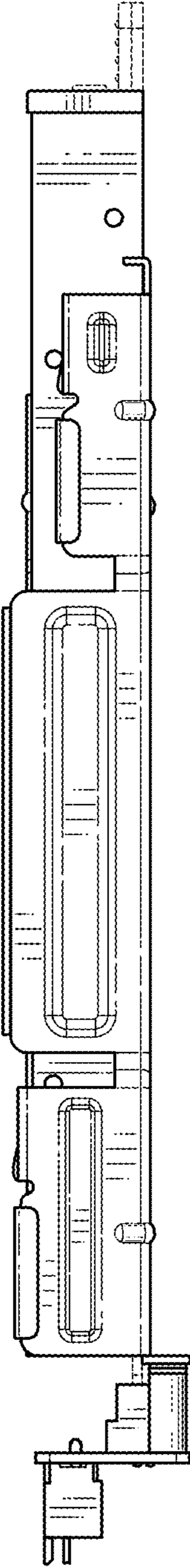


FIG. 5

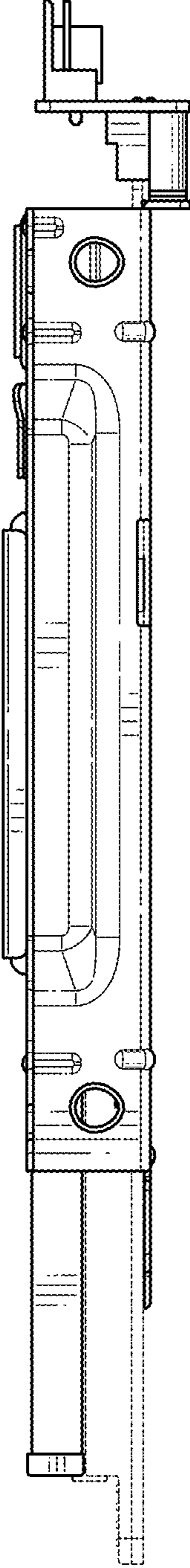


FIG. 6

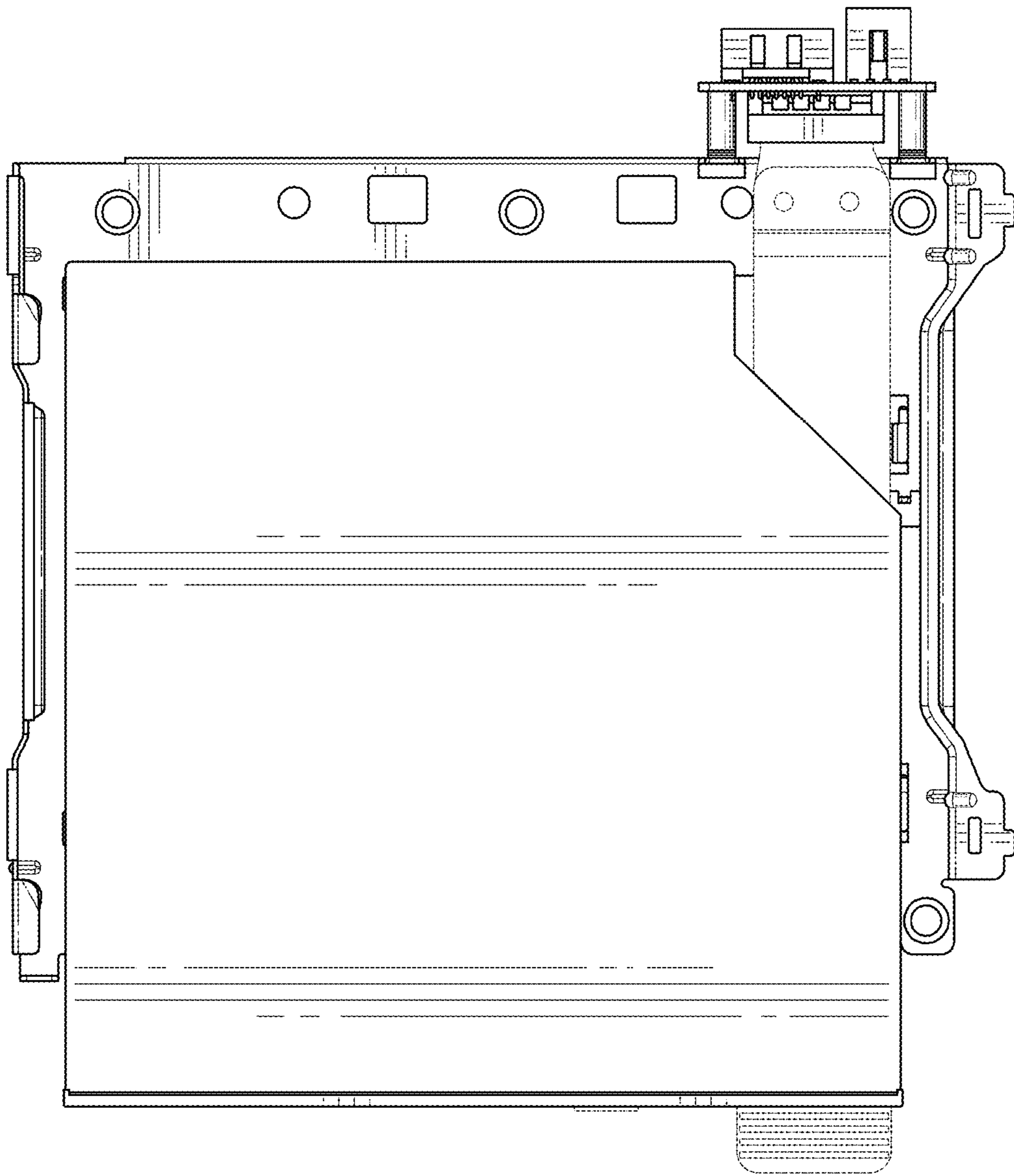


FIG. 7

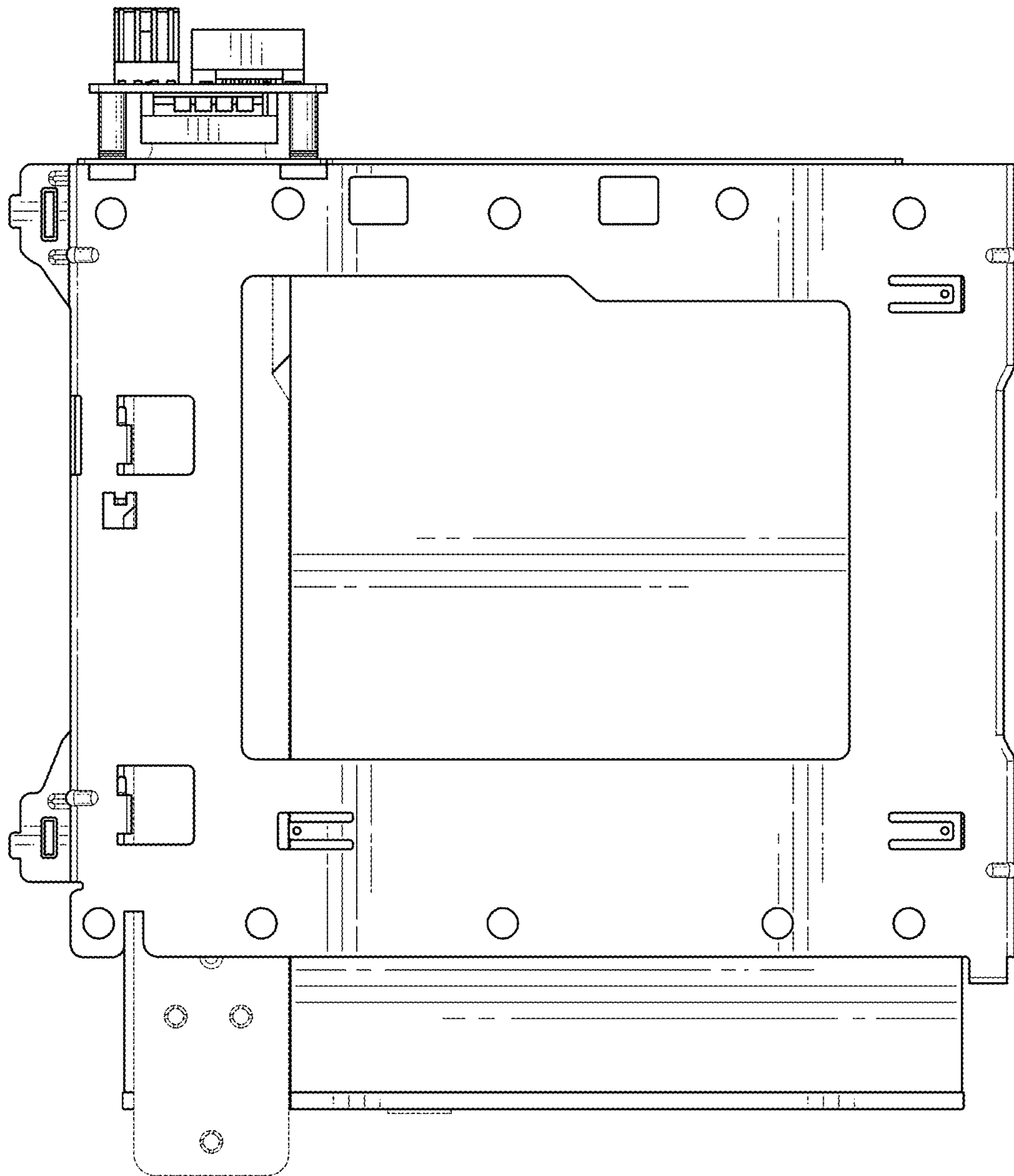


FIG. 8