



US00D773466S

(12) **United States Design Patent** (10) **Patent No.:** **US D773,466 S**
Daniel (45) **Date of Patent:** **** Dec. 6, 2016**

(54) **COMBINED SECURE DIGITAL MEMORY AND SUBSCRIBER IDENTITY MODULE**

(71) Applicant: **Isaac S. Daniel**, Miramar, FL (US)

(72) Inventor: **Isaac S. Daniel**, Miramar, FL (US)

(**) Term: **15 Years**

(21) Appl. No.: **29/536,865**

(22) Filed: **Aug. 20, 2015**

(51) **LOC (10) Cl.** **14-02**

(52) **U.S. Cl.**
USPC **D14/436**

(58) **Field of Classification Search**
USPC D14/435-438, 478-480; 235/441, 443, 235/487, 492, 493, 495; 361/737, 679, 361/752, 736, 728, 796, 797, 729, 730, 361/725-727; 257/678, 679, 693, 257/E23.064; 439/946, 948, 439/159; 174/250, 260, 52.1, 52.2; 710/300-303; 438/121

CPC G06K 19/06196; G06K 19/072; G06K 19/0721; G06K 19/0722; G06K 19/0723; G06K 19/0724; G06K 19/0725; G06K 19/0726; G06K 19/0727; G06K 19/0728; G06K 19/073; G06K 19/07309; G06K 19/077; G06K 19/007701; G06K 19/07715; G06K 19/0772; G06K 19/07722; G06K 19/07724; G06K 19/07726; G06K 19/07728; G06K 19/0773; G06K 19/07735; G06K 19/07737; G06K 19/07739; G06K 19/07741; G06K 19/07743; G06K 19/07745; G06K 19/07747; G06K 19/07749; G06K 19/07758; G06K 19/07767; G06K 19/07769; G06K

19/07771; G06K 19/07773; G06K 19/07775; G06K 19/083; G06K 19/086; G06K 19/145; G06K 19/18; G06K 2215/0022; G06K 2215/0025; G06K 2215/0028; G06K 2215/0031; G06K 2215/004; G06K 2215/0082; G06F 21/77-21/80; G06F 21/85-21/88; G06F 21/00; G06Q 20/3229; G06Q 20/34; G06Q 20/341; G06Q 20/346;
(Continued)

(56) **References Cited**

U.S. PATENT DOCUMENTS

D327,883 S * 7/1992 Gloton D13/182
D328,599 S * 8/1992 Gloton D13/182
(Continued)

Primary Examiner — Susan Moon Lee

(74) *Attorney, Agent, or Firm* — Carol N. Green Kaul, Esq.

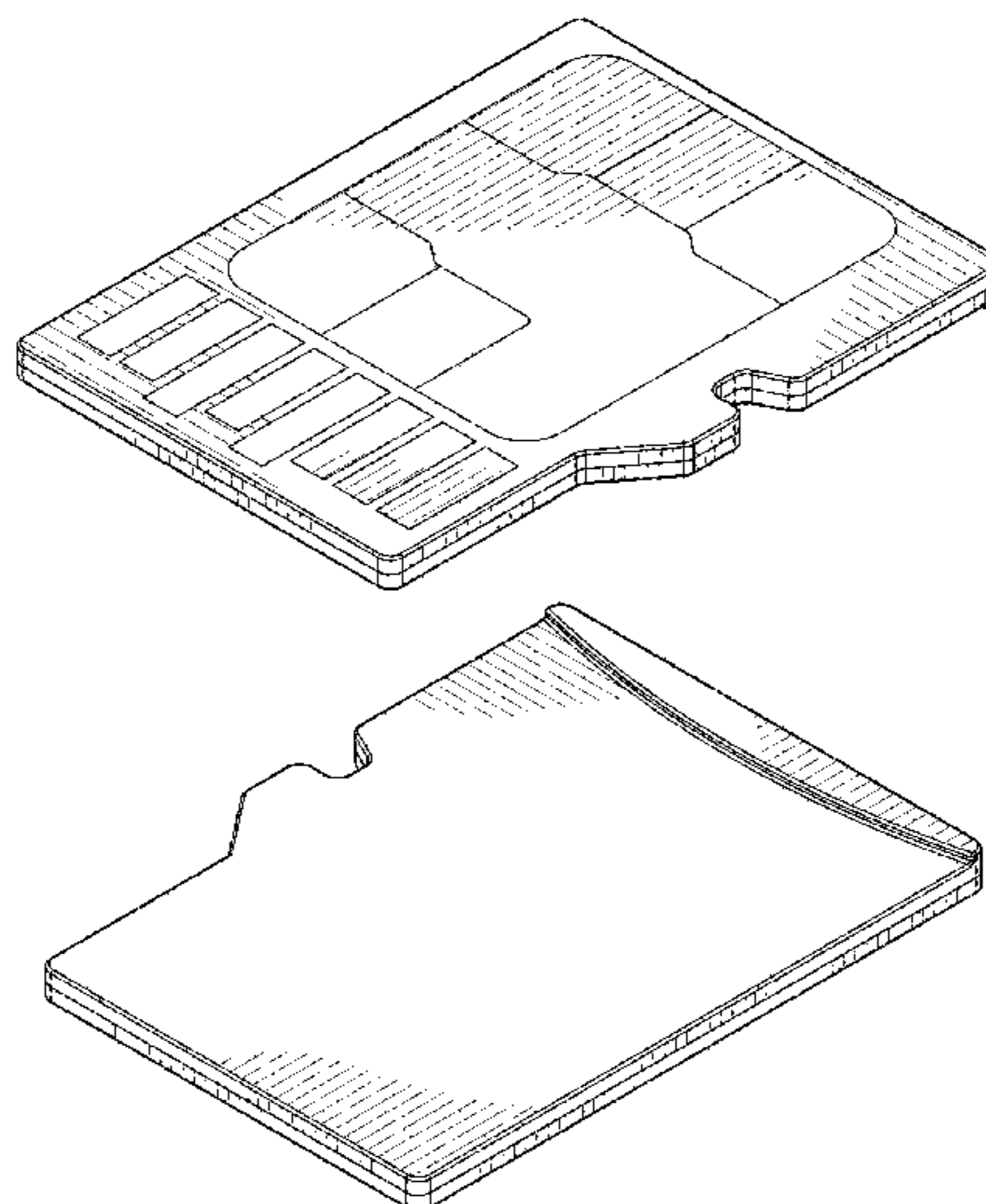
(57) **CLAIM**

The ornamental design for a combined secure digital memory and subscriber identity module, as shown and described.

DESCRIPTION

FIG. 1 is a front perspective exploded view of the combined secure digital memory and subscriber identity module. FIG. 2 is a rear perspective exploded view thereof; FIG. 3 is a plan front exploded view thereof; FIG. 4 is a plan rear exploded view thereof; FIG. 5 is a right side exploded view thereof; FIG. 6 is a left side exploded view thereof; FIG. 7 is a top exploded view thereof; FIG. 8 is a bottom exploded view thereof; FIG. 9 is a front perspective view of the combined secure digital memory and subscriber identity module; and, FIG. 10 is a rear perspective view thereof.

1 Claim, 7 Drawing Sheets



(58) **Field of Classification Search**

CPC G06Q 20/349; G06Q 20/3563; G06Q 20/3567; G06Q 20/357; G06Q 20/3576; H05K 5/026; H05K 5/0256; H05K 5/0269; H05K 5/0273; H05K 5/0278; H05K 5/0282; H05K 5/0286; H05K 5/0291; H05K 5/0295; H05K 5/03; H05K 5/04; H05K 5/06; H05K 5/061; H05K 5/062; H05K 5/063; H05K 5/064; H05K 5/065; H05K 5/066; H05K 5/067; H05K 5/068; H05K 5/069; H05K 7/00; H05K 7/005; H05K 7/02; H05K 7/023; H05K 7/026; H05K 7/04; H05K 7/10; H05K 7/1418; H05K 7/142; H05K 7/1424; H05K 7/1427-7/1439; H05K 7/1461; H05K 7/1464-7/1474; H05K 7/1479; H05K 7/1481; H05K 7/1485-7/1488; H05K 2201/09745; H05K 2201/09754; H05K 2201/09763; H05K 2201/09772; H05K 2201/098; H05K 2201/09818; H05K 2201/10; H05K 2201/10007; H05K 2201/10098; H05K 2201/10143; H05K 2201/10159; H05K 2201/1074; H05K 2201/10212; H05K 2201/1028; H05K 2201/1031; H05K 2201/10431; H05K 2201/22; H05K 2201/10462; H05K 2201/10545; H05K 2201/10553; H05K 2201/1056; H05K 2201/10621; H05K 2201/10636; H05K 2203/05; H05K 3/368; H05K 3/3436; H05K 3/36; H05K 3/40; H05K 3/4007; H05K 3/4015; H05K 3/403; H05K 3/4053; H05K 3/4092; H05K 3/42; H05K 3/421; H05K 3/46; H05K 1/14; H05K 1/141; H05K 1/142; H05K 1/144; H05K 1/145; H05K 1/182; H04N 2201/216

See application file for complete search history.

(56) **References Cited**

U.S. PATENT DOCUMENTS

D331,922 S * 12/1992 Gloton D14/437
 D353,135 S * 12/1994 Gloton D14/437
 D357,242 S * 4/1995 Gloton D14/437
 D357,909 S * 5/1995 Gloton D14/437
 D387,746 S * 12/1997 Ishihara D14/437
 D387,747 S * 12/1997 Ishihara D14/437
 D389,130 S * 1/1998 Ishihara D14/437
 D405,078 S * 2/1999 Ross D14/437
 D412,164 S * 7/1999 Laviron D14/437
 D416,246 S * 11/1999 Hileman D14/437
 6,076,737 A * 6/2000 Gogami G06K 19/07728
 235/488
 6,323,064 B1 * 11/2001 Lee G11C 5/04
 257/E21.504
 D456,414 S * 4/2002 Turin D14/437
 6,460,773 B1 * 10/2002 Kaiya G06K 19/07745
 235/441
 6,908,038 B1 * 6/2005 Le G06K 19/077
 235/492
 D510,935 S * 10/2005 Yamada D14/436
 D517,072 S * 3/2006 Yamada D14/436
 D517,559 S * 3/2006 Yu D14/436
 D523,435 S * 6/2006 Takiar D14/436
 7,057,268 B1 * 6/2006 d'Estries G06K 19/07732
 257/679
 D525,248 S * 7/2006 Takiar D14/436

D525,623 S * 7/2006 Takiar D14/436
 D525,978 S * 8/2006 Takiar D14/436
 D533,556 S * 12/2006 Yamada D14/436
 D537,081 S * 2/2007 Takiar D14/436
 7,179,129 B1 * 2/2007 Hwang G06K 19/07
 439/630
 D538,286 S * 3/2007 Takiar D14/436
 7,193,161 B1 * 3/2007 Takiar H01L 23/49855
 174/521
 7,210,967 B1 * 5/2007 Lee G06K 19/07743
 439/630
 D552,098 S * 10/2007 Nishizawa D14/436
 D552,099 S * 10/2007 Nishizawa D14/436
 7,293,716 B1 * 11/2007 Miks H01L 21/561
 235/451
 7,307,848 B2 * 12/2007 Takiar G06K 19/077
 361/736
 7,326,086 B1 * 2/2008 Lee G06K 19/07741
 439/630
 7,371,119 B1 * 5/2008 Lee G06K 7/0043
 439/630
 7,374,104 B2 * 5/2008 Aoki G06K 19/07732
 235/492
 D571,810 S * 6/2008 Ikeda D14/437
 7,410,376 B2 * 8/2008 Ying H01R 13/2442
 439/159
 7,416,451 B2 * 8/2008 Tanaka G06K 7/0021
 439/630
 7,458,519 B2 * 12/2008 Aoki G06K 19/077
 235/451
 D603,812 S * 11/2009 Johnson D13/182
 D638,431 S * 5/2011 Pomerantz D14/436
 D643,040 S * 8/2011 Sedio D14/436
 8,142,229 B1 * 3/2012 Bobuk G06K 13/0806
 439/630
 D669,478 S * 10/2012 Lepp D14/436
 8,291,144 B2 * 10/2012 Pinto G06F 13/409
 710/16
 8,319,352 B2 * 11/2012 Shinohara G11C 5/02
 257/686
 D681,640 S * 5/2013 Aoki D14/436
 8,451,122 B2 * 5/2013 Narendra G06K 19/0701
 235/380
 8,531,719 B2 * 9/2013 Takatsuka G06K 15/00
 358/1.15
 D702,240 S * 4/2014 Lepp D14/436
 D703,208 S * 4/2014 Lepp D14/436
 D707,682 S * 6/2014 Florek D14/436
 D720,354 S * 12/2014 Komatsu D14/437
 D730,360 S * 5/2015 Bousmaha D14/437
 D736,216 S * 8/2015 Kang D14/436
 D739,856 S * 9/2015 Kang D14/436
 2004/0175976 A1 * 9/2004 Park H01R 13/26
 439/176
 2004/0259291 A1 * 12/2004 Takiar G06K 19/077
 438/113
 2005/0007744 A1 * 1/2005 Okita G06K 19/07728
 361/728
 2005/0011671 A1 * 1/2005 Takiar G06K 13/0825
 174/256
 2005/0037671 A1 * 2/2005 Yamada G06K 7/0021
 439/677
 2005/0212690 A1 * 9/2005 Nishikawa G06K 7/006
 340/932.2
 2005/0230484 A1 * 10/2005 Cuellar G06K 19/072
 235/492
 2005/0253239 A1 * 11/2005 Nishizawa G06K 7/0021
 257/679
 2006/0085583 A1 * 4/2006 Yu G06K 19/07
 710/301
 2006/0166559 A1 * 7/2006 Nakai G06K 19/077
 439/630
 2006/0202041 A1 * 9/2006 Hishizawa G06K 19/072
 235/492
 2006/0261489 A1 * 11/2006 Takemoto G06K 19/07
 257/774

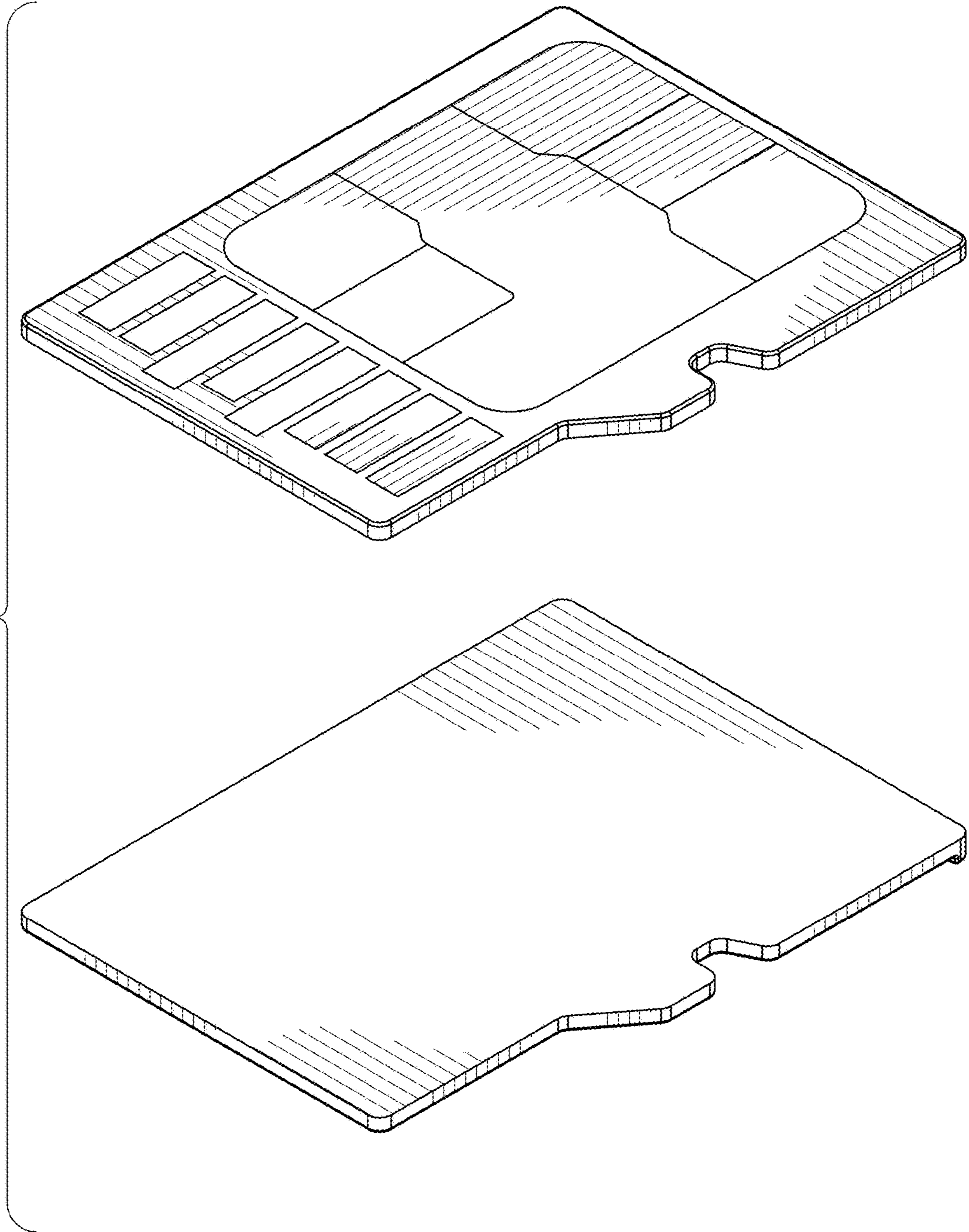


FIG. 1

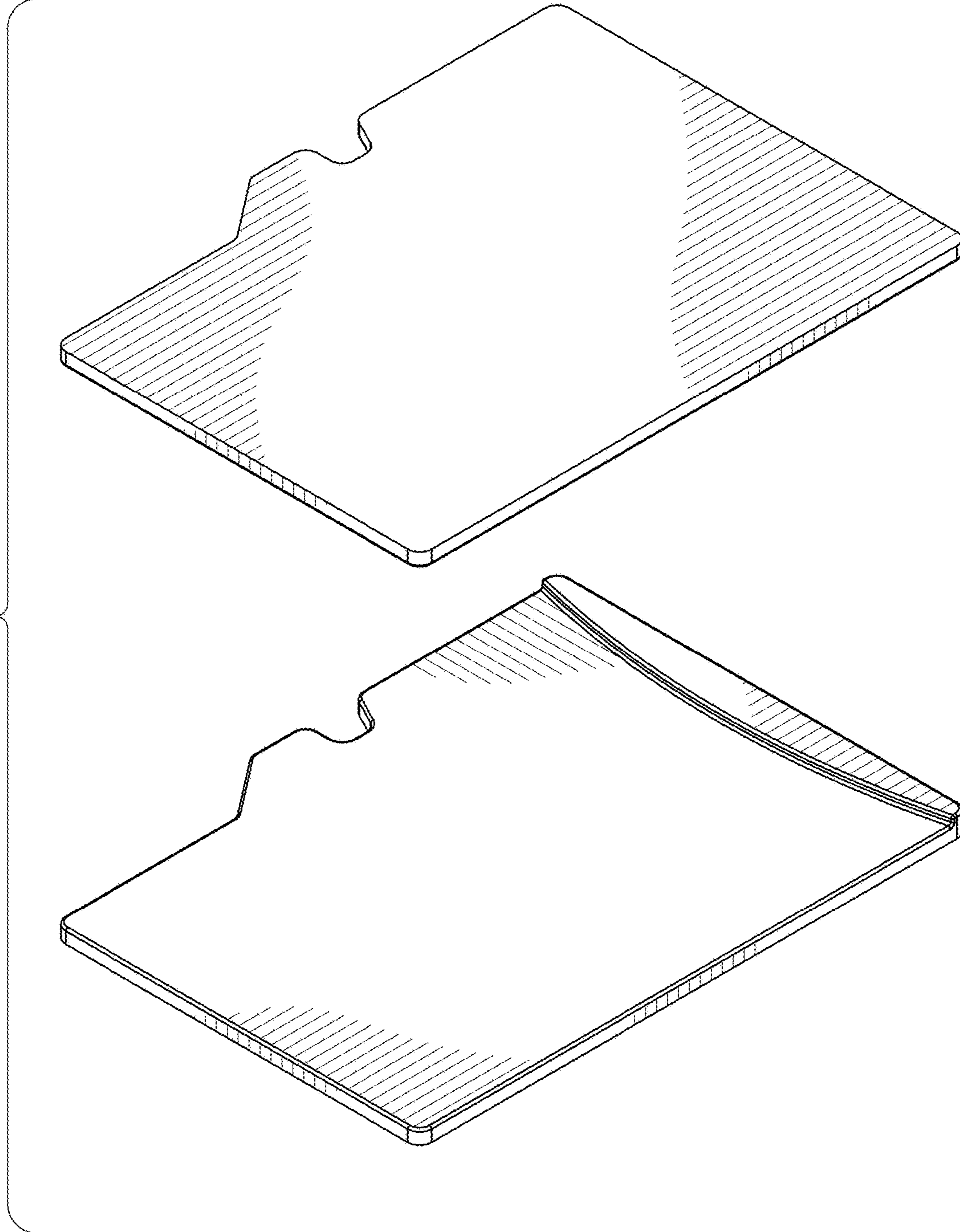


FIG. 2

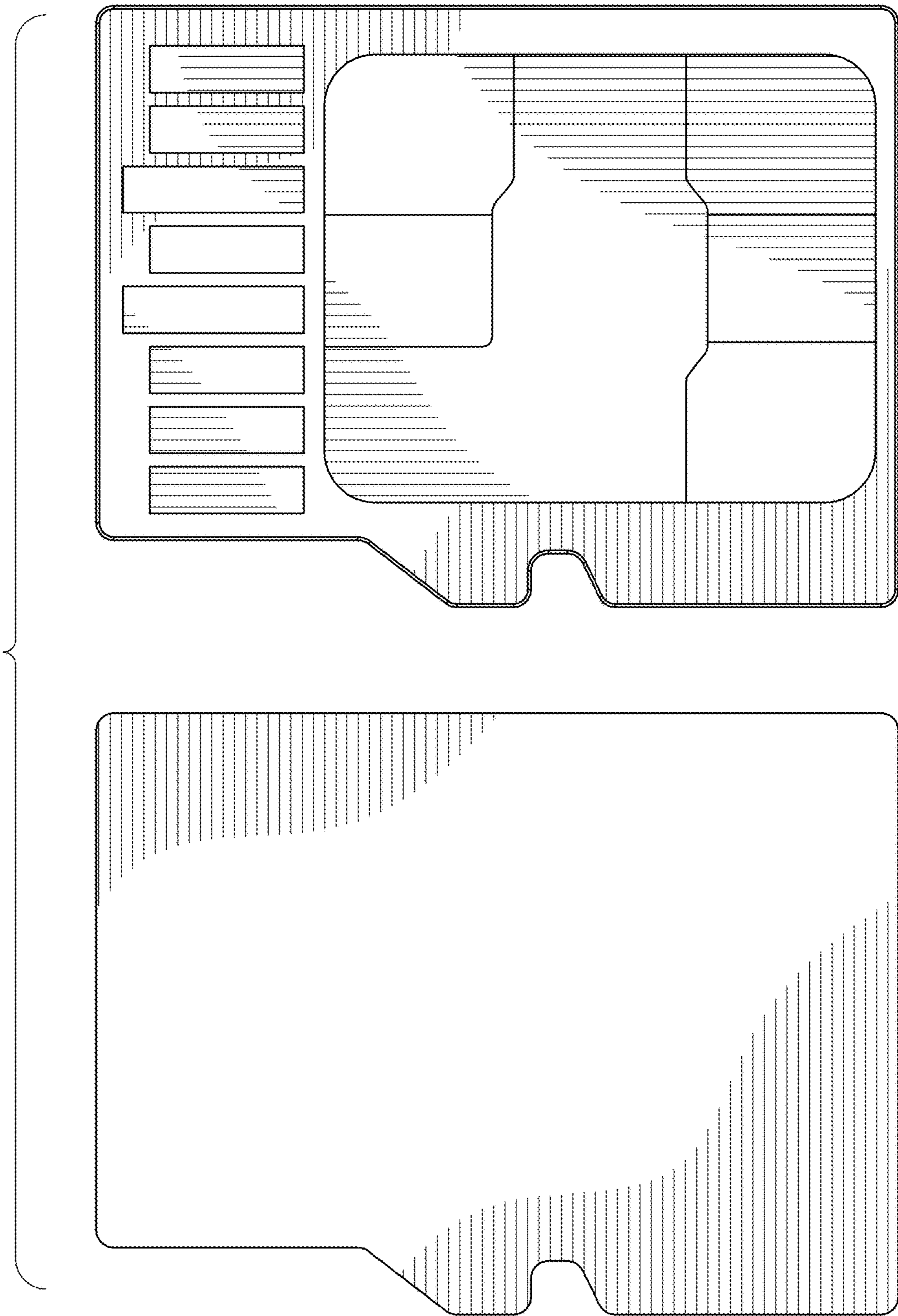


FIG. 3

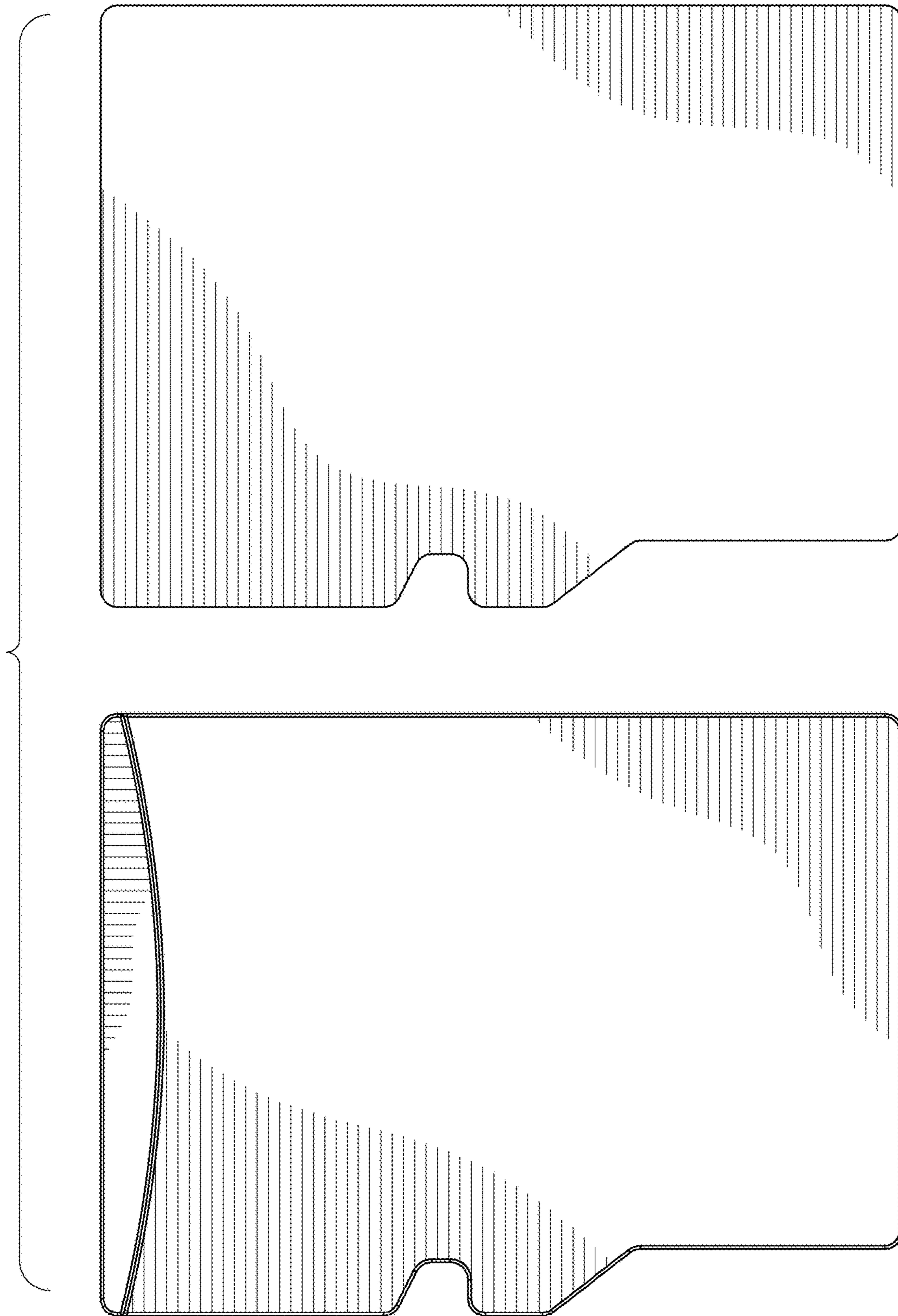


FIG. 4

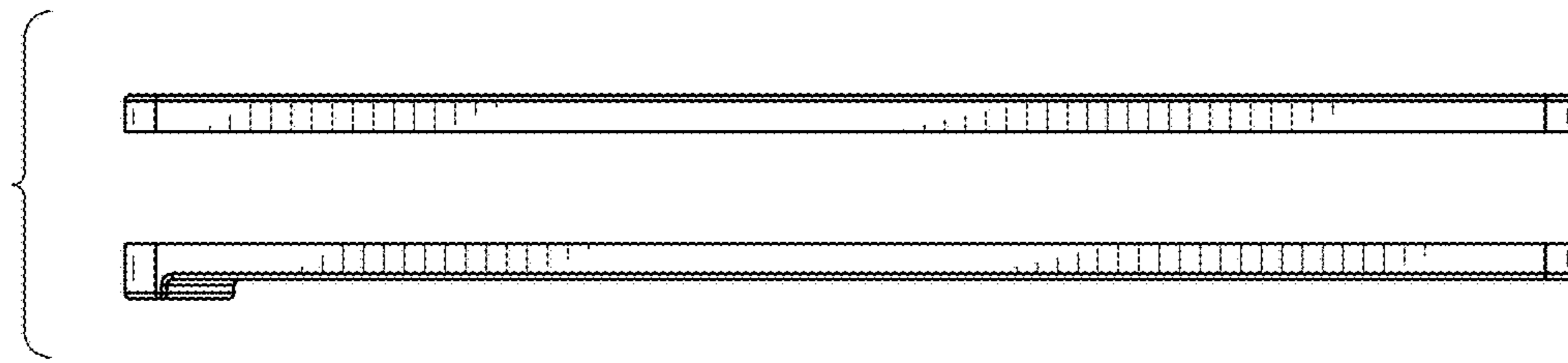


FIG. 5

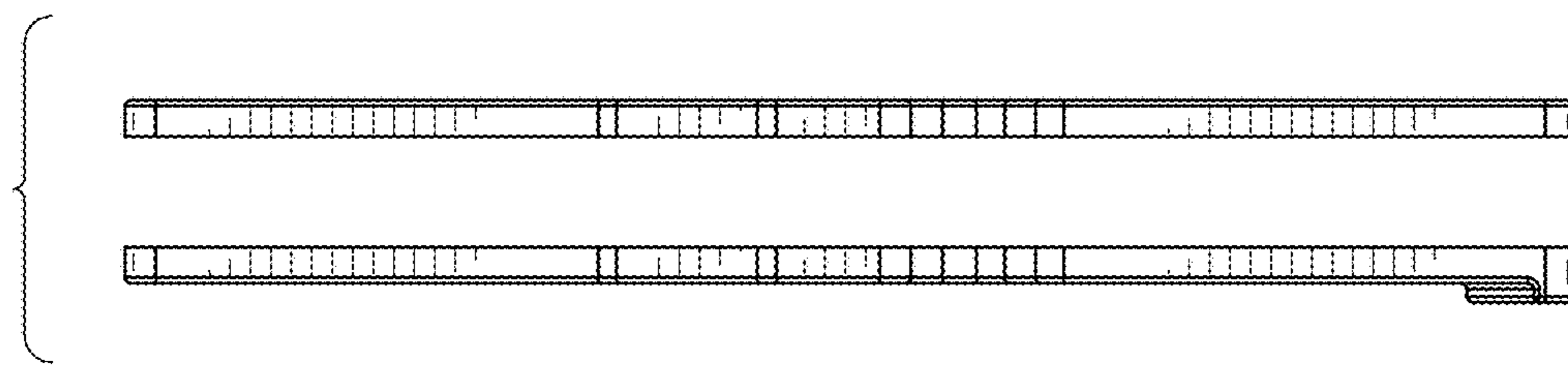


FIG. 6

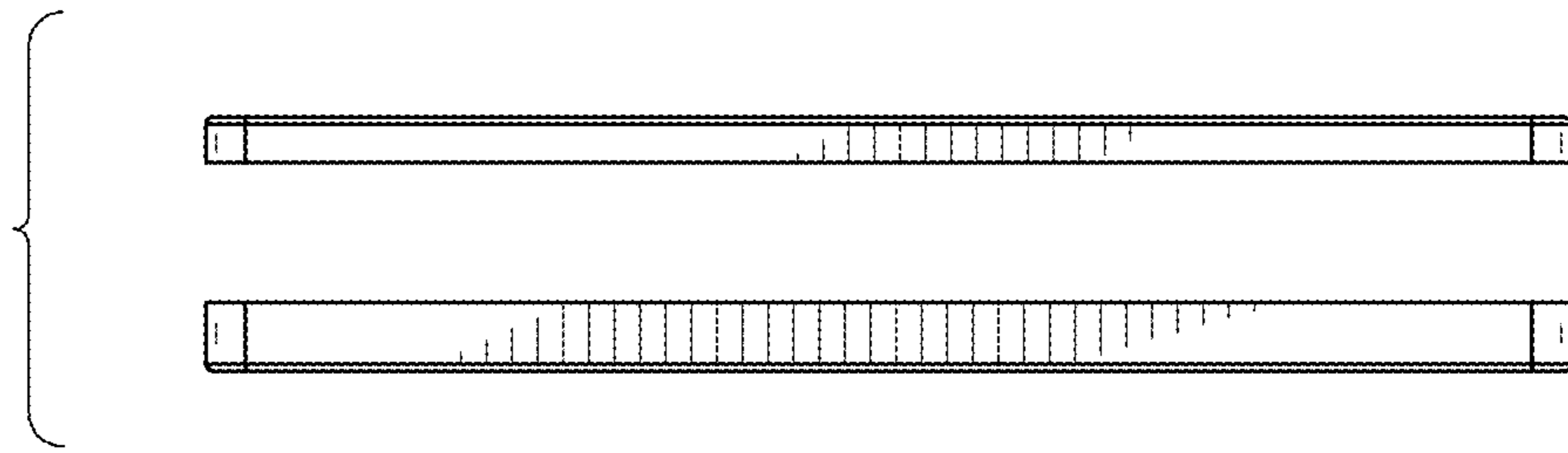


FIG. 7

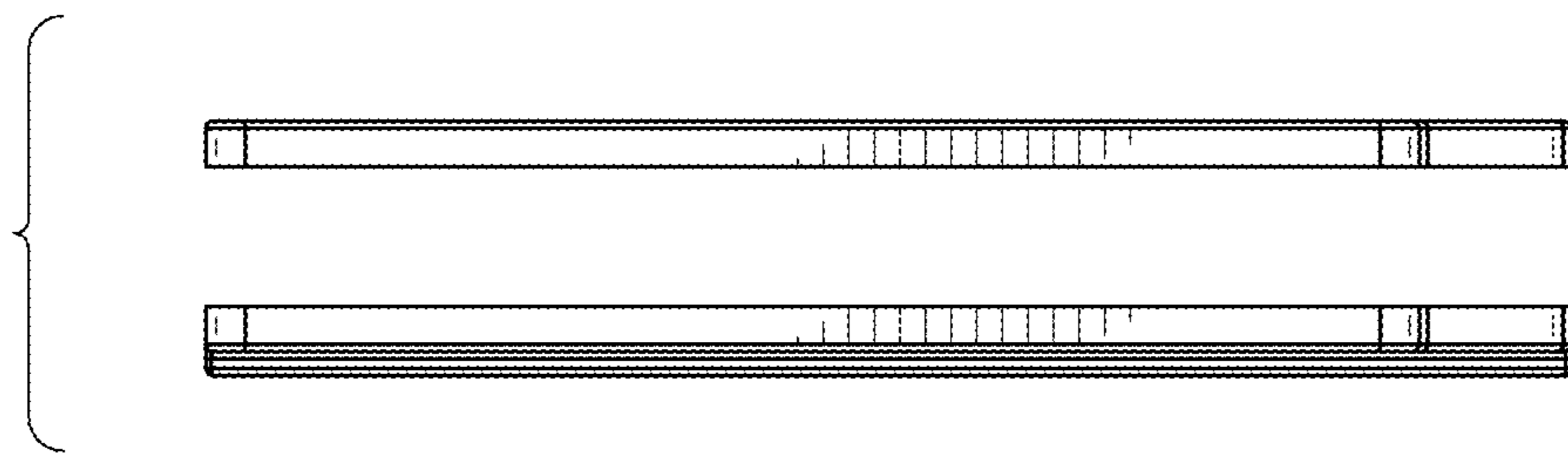


FIG. 8

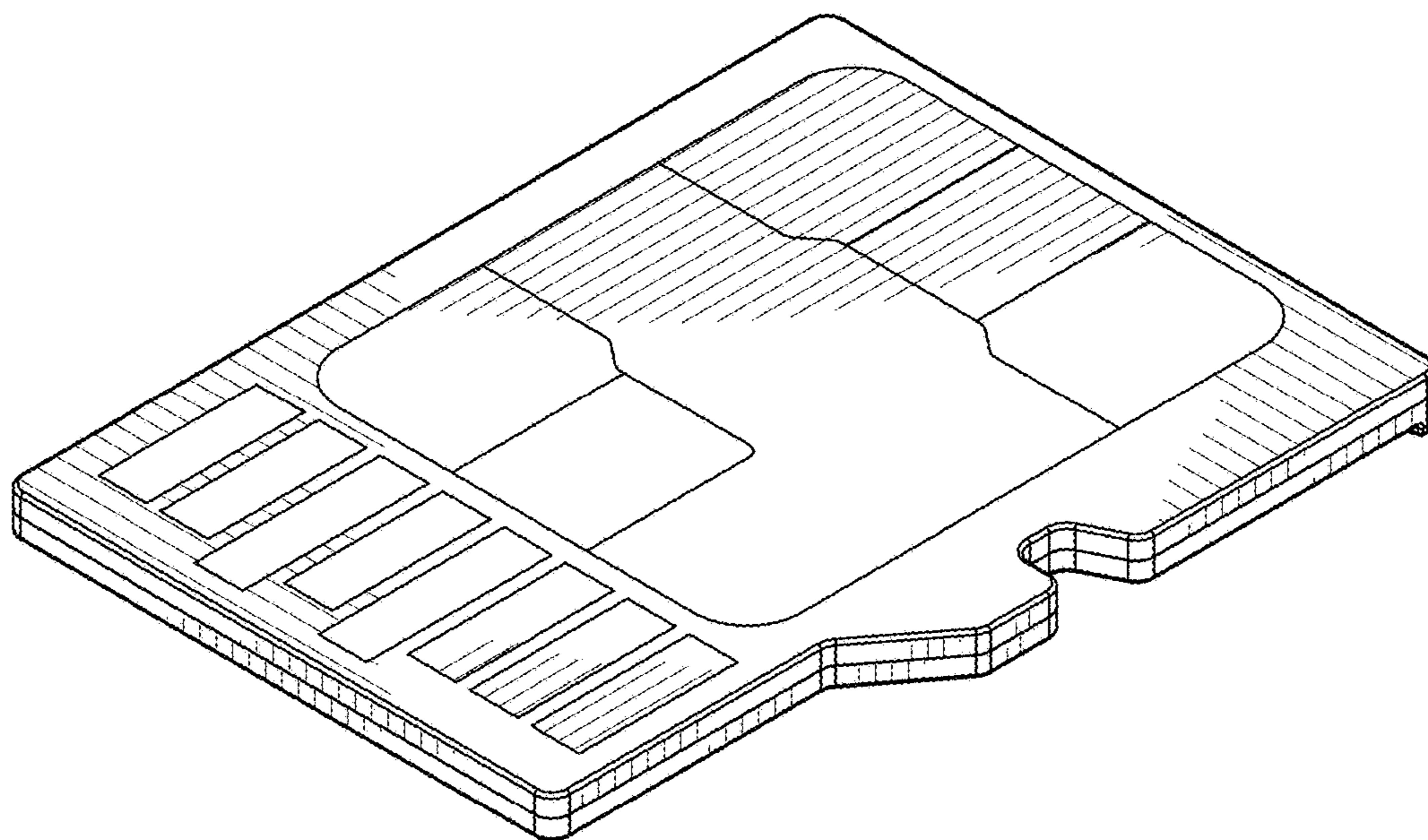


FIG. 9

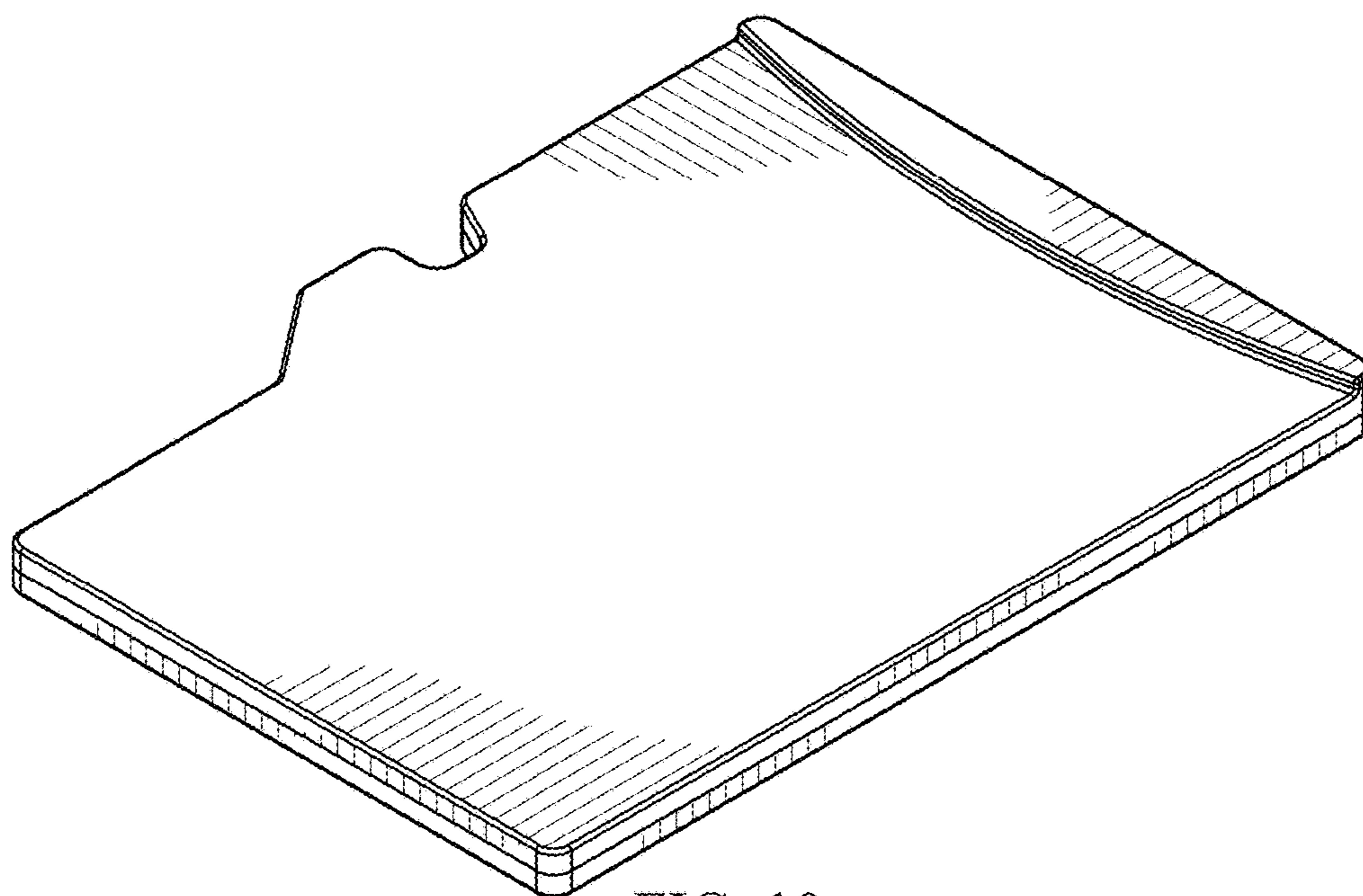


FIG. 10