



US00D773464S

(12) **United States Design Patent** (10) **Patent No.:** **US D773,464 S**  
**Pradhan et al.** (45) **Date of Patent:** **\*\* Dec. 6, 2016**

(54) **RETROSCAN**  
(71) Applicant: **Physical Optics Corporation,**  
Torrance, CA (US)  
(72) Inventors: **Ranjit Pradhan,** Torrance, CA (US);  
**Andrew Kostrzewski,** Garden Grove,  
CA (US); **Kenneth Levin,** Huntington  
Beach, CA (US); **Kang Lee,** Woodland  
Hills, CA (US); **Ninad Patnekar,**  
Woodland Hills, CA (US); **Tomasz**  
**Jansson,** Torrance, CA (US); **Thomas**  
**Forrester,** Hacienda Heights, CA (US)  
(73) Assignee: **Physical Optics Corporation,**  
Torrance, CA (US)

D405,077 S \* 2/1999 Urushihata ..... D14/428  
D419,548 S \* 1/2000 Jones ..... D14/420  
D463,435 S \* 9/2002 Gatto, Jr. .... D14/402  
D473,873 S \* 4/2003 Pokrovsky ..... D14/423  
D509,180 S \* 9/2005 Murray ..... D10/69  
D518,057 S \* 3/2006 Johnson ..... D14/428  
D638,318 S \* 5/2011 Riegl ..... D10/66  
D642,485 S \* 8/2011 Riegl ..... D10/66  
D674,389 S \* 1/2013 Shen ..... D14/423  
D745,522 S \* 12/2015 York ..... D14/420

\* cited by examiner

*Primary Examiner* — Susan Bennett Hattan

*Assistant Examiner* — Jennifer Wright

(74) *Attorney, Agent, or Firm* — Sheppard Mullin Richter  
& Hampton LLP

(\*\*) Term: **15 Years**

(21) Appl. No.: **29/535,488**

(22) Filed: **Aug. 6, 2015**

(51) **LOC (10) Cl.** ..... **14-02**

(52) **U.S. Cl.**  
USPC ..... **D14/420**

(58) **Field of Classification Search**  
USPC ..... D14/420-431; D16/221, 225, 229, 232,  
D16/235, 130, 134-136; 382/312, 313,  
321, 59, 382/314, 315, 316-319, 322  
See application file for complete search history.

(56) **References Cited**

U.S. PATENT DOCUMENTS

D383,075 S \* 9/1997 Sawaguchi ..... D10/66  
D385,265 S \* 10/1997 Knowles ..... D14/403

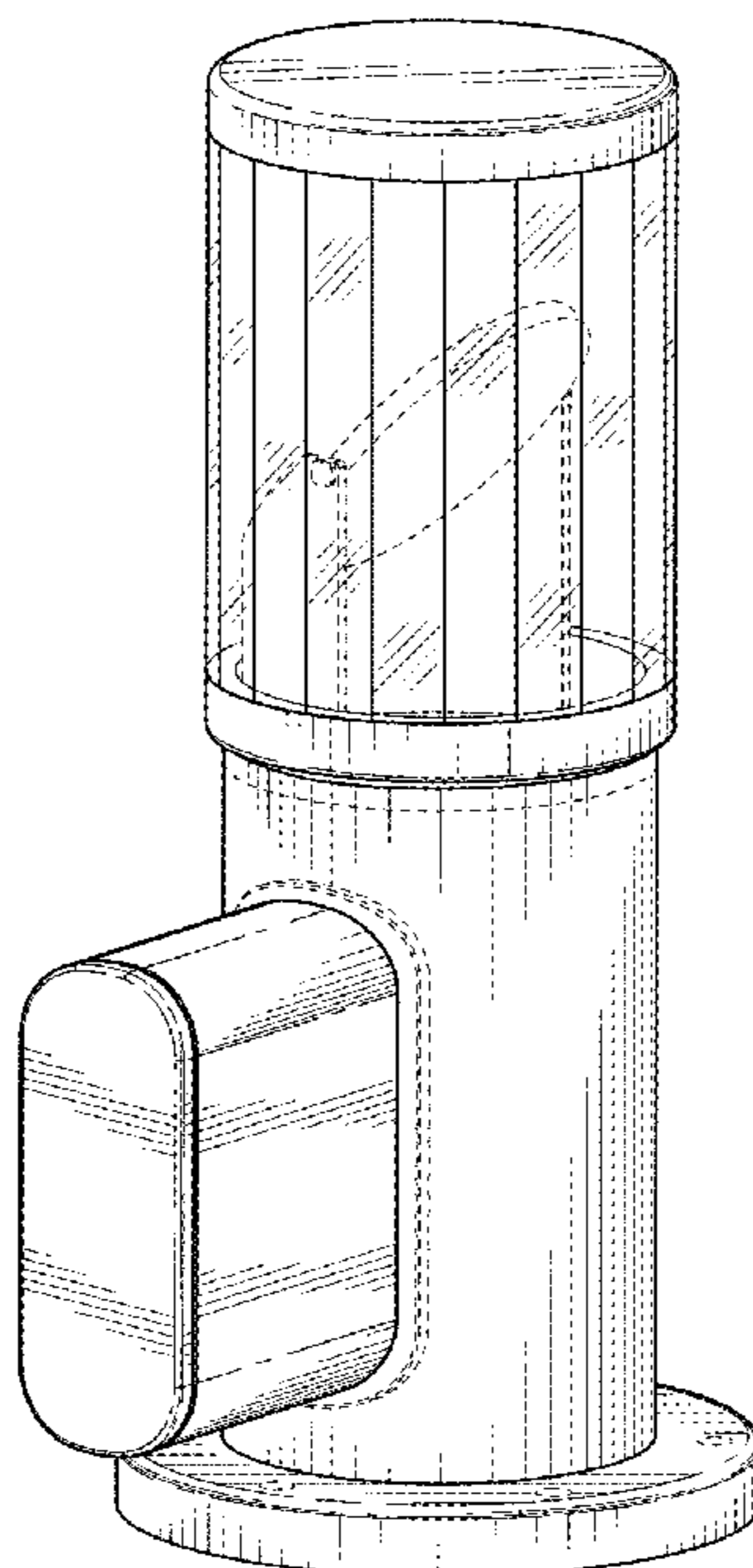
(57) **CLAIM**

We claim the ornamental design for a retroscan, as shown  
and described.

**DESCRIPTION**

FIG. 1 is a top, front and right side perspective view of an  
ornamental design for a retroscan;  
FIG. 2 is a front elevational view thereof;  
FIG. 3 is a back elevational view thereof;  
FIG. 4 is a right elevational view thereof;  
FIG. 5 is a left elevational view thereof;  
FIG. 6 is a top plan view thereof; and,  
FIG. 7 is a bottom plan view thereof.  
The broken lines illustrate portions of the retroscan that form  
no part of the claimed design.

**1 Claim, 4 Drawing Sheets**



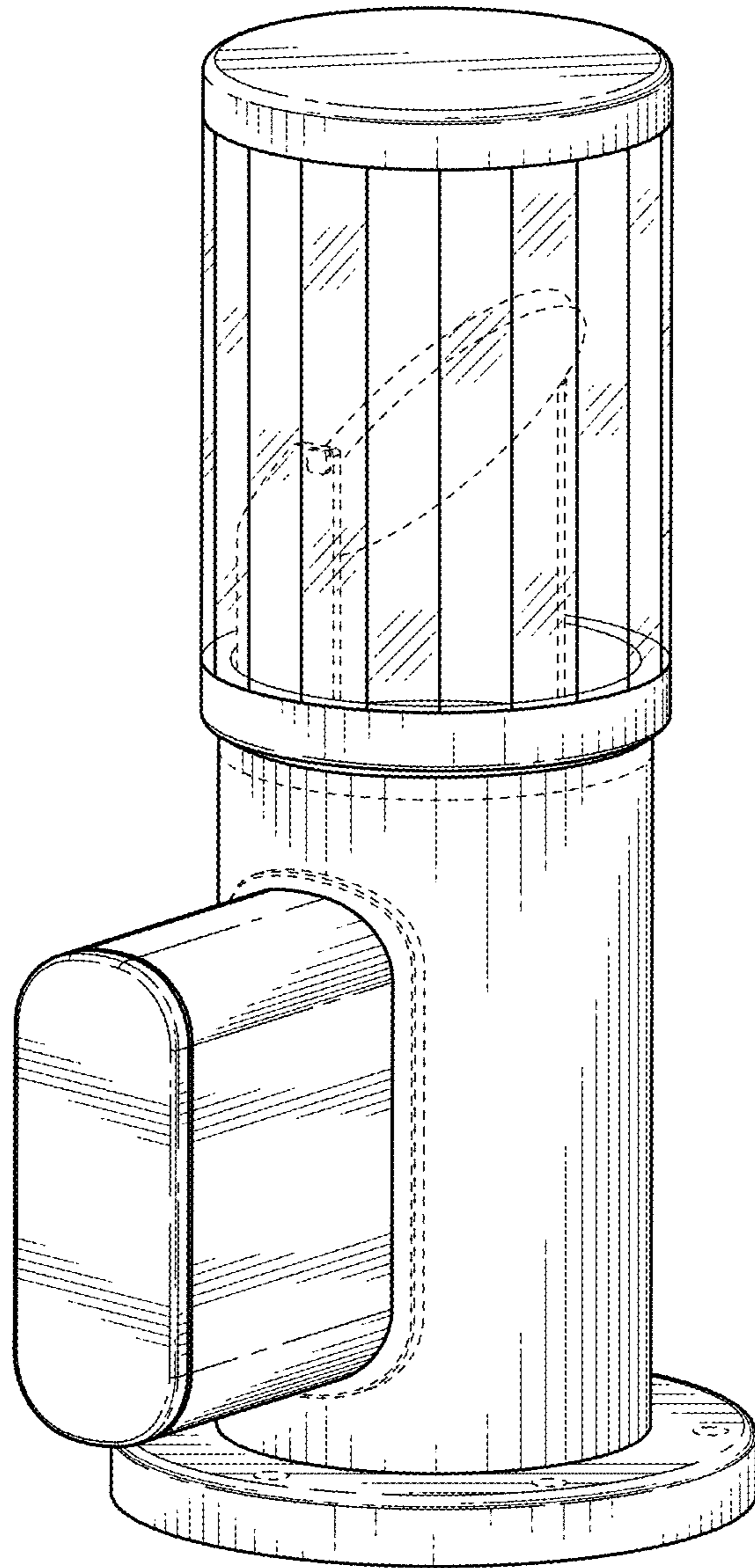


FIG. 1

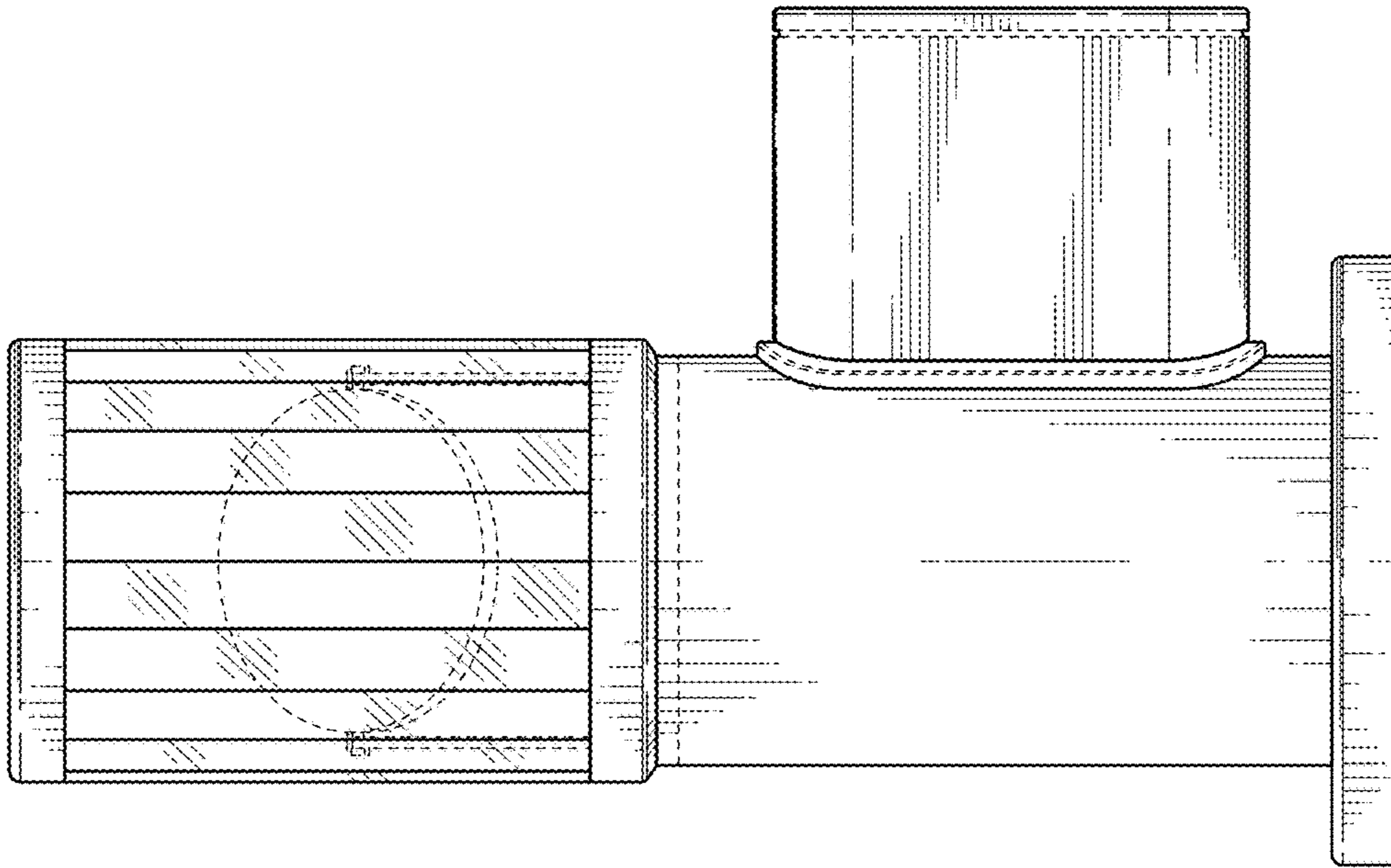


FIG. 3

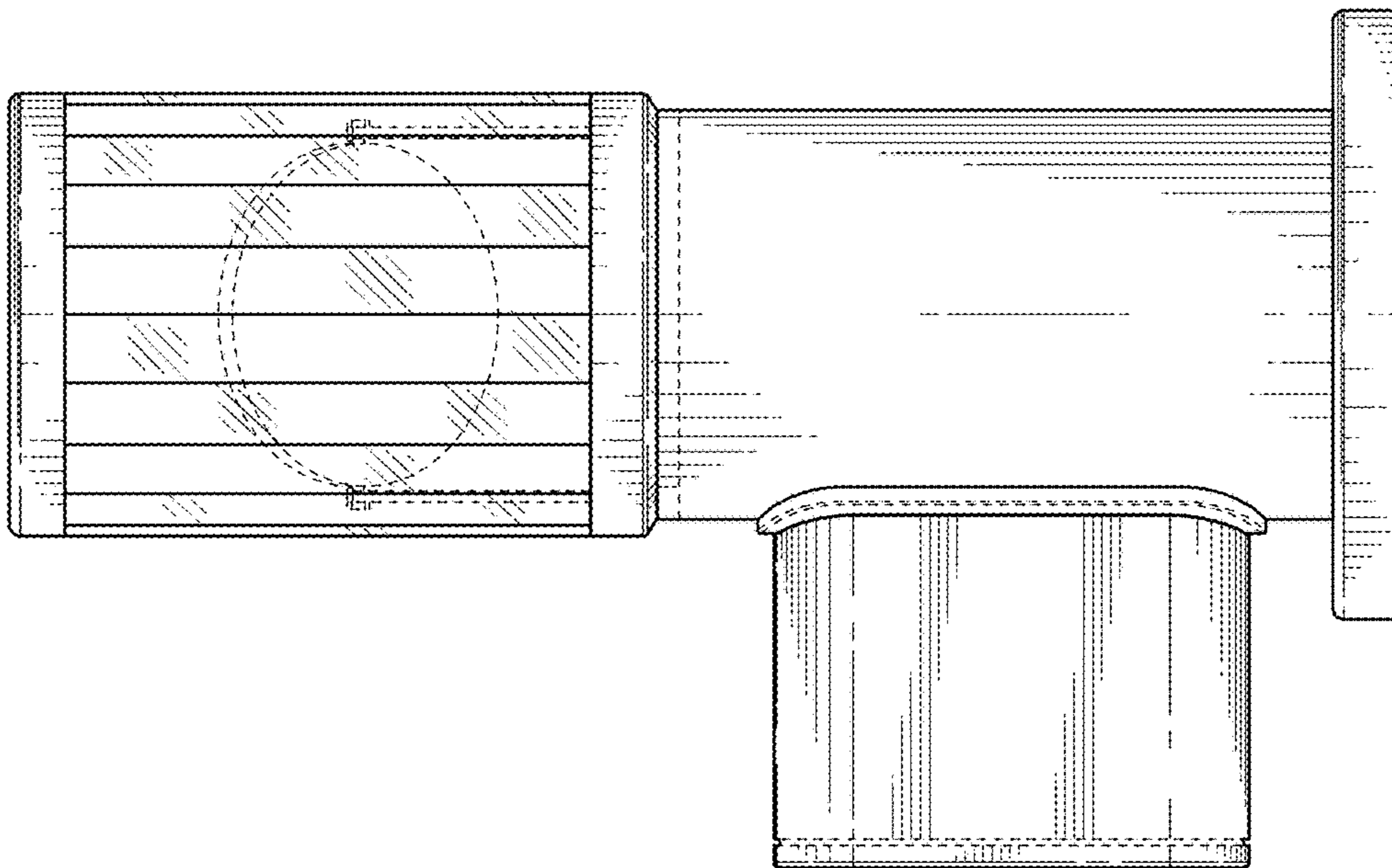


FIG. 2

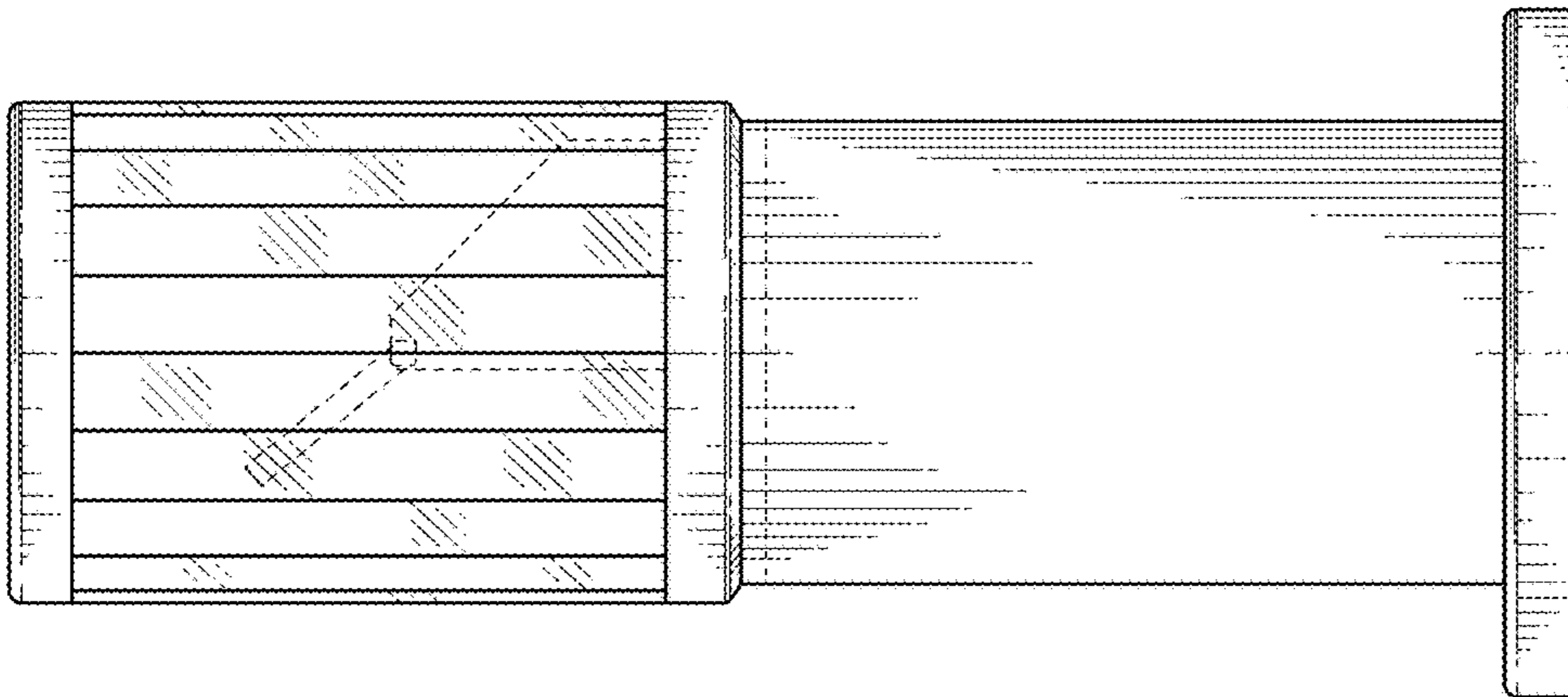


FIG. 5

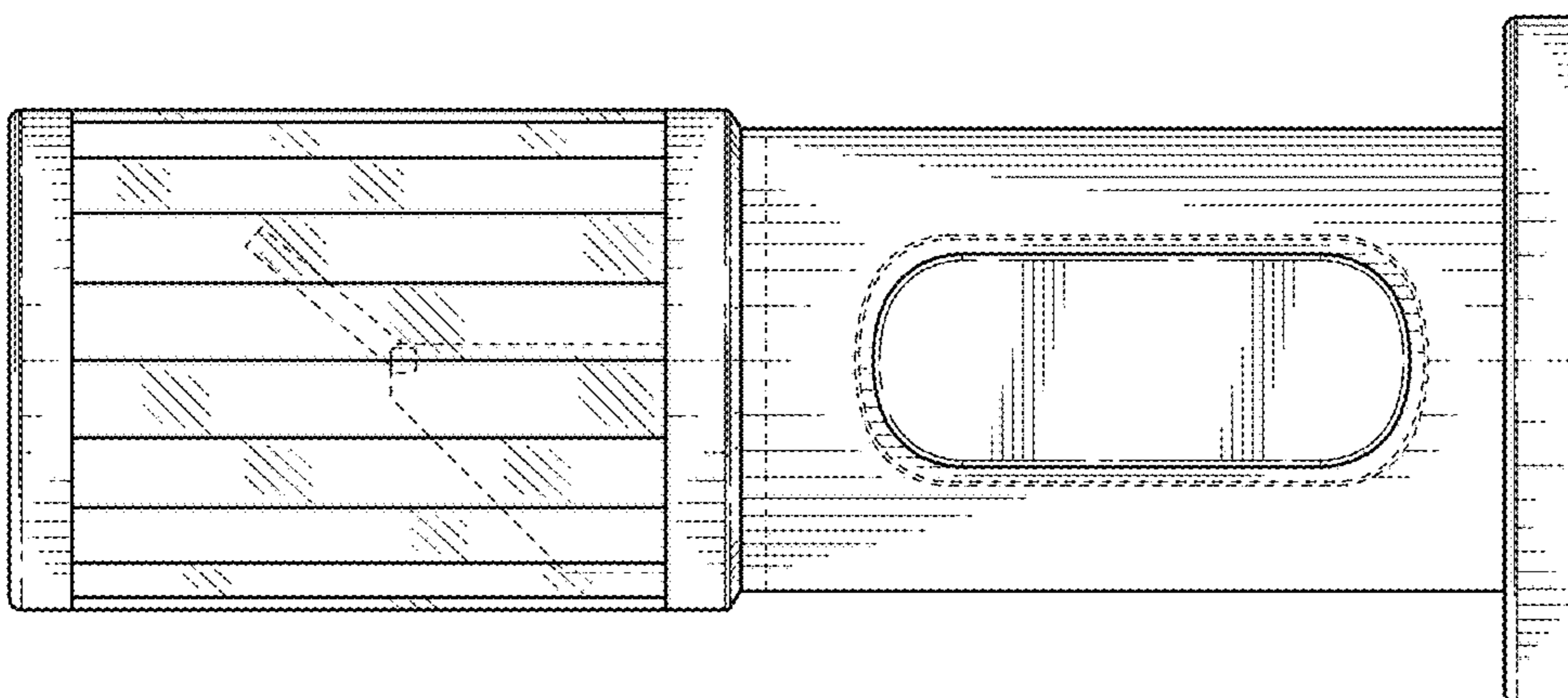


FIG. 4

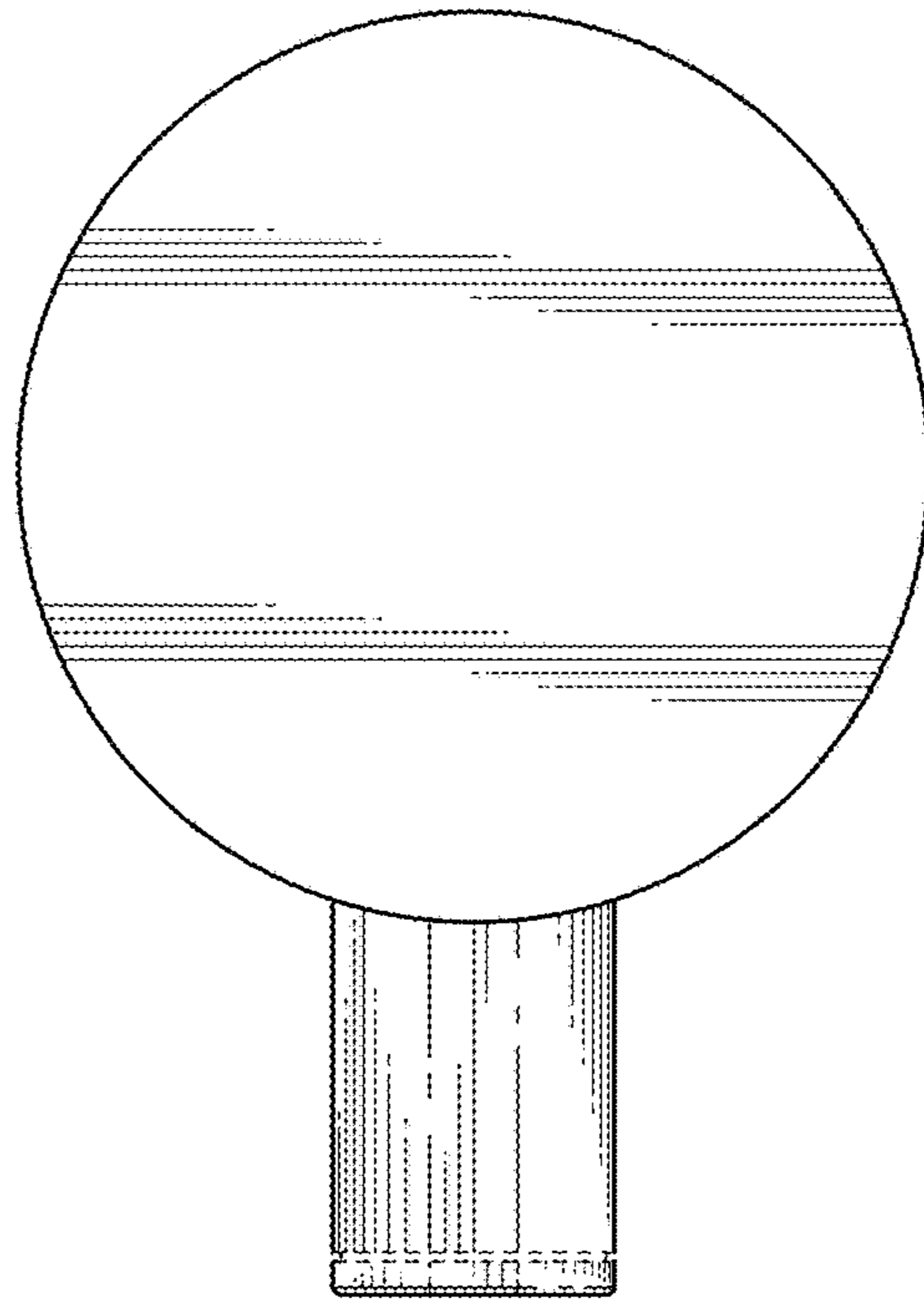


FIG. 7

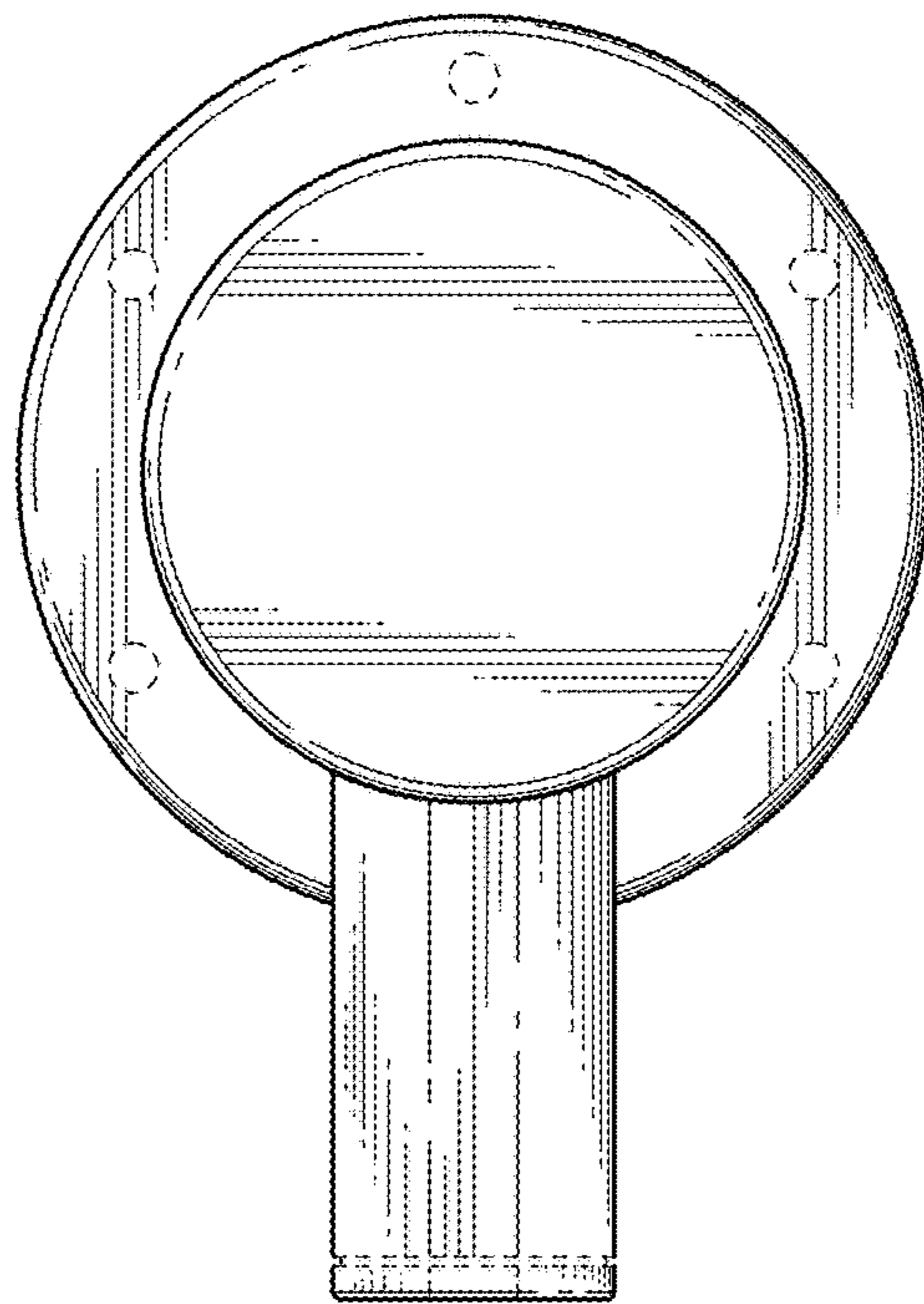


FIG. 6