



US00D773463S

(12) **United States Design Patent** (10) **Patent No.:** **US D773,463 S**
Pradhan et al. (45) **Date of Patent:** **** Dec. 6, 2016**

(54) **RETROSCAN**
(71) Applicant: **Physical Optics Corporation**,
Torrance, CA (US)
(72) Inventors: **Ranjit Pradhan**, Torrance, CA (US);
Andrew Kostrzewski, Garden Grove,
CA (US); **Kenneth Levin**, Huntington
Beach, CA (US); **Kang Lee**, Woodland
Hills, CA (US); **Ninad Patnekar**,
Woodland Hills, CA (US); **Tomasz
Jansson**, Torrance, CA (US); **Thomas
Forrester**, Hacienda Heights, CA (US)

D405,077 S * 2/1999 Urushihata D14/428
D419,548 S * 1/2000 Jones D14/420
D463,435 S * 9/2002 Gatto, Jr. D14/402
D473,873 S * 4/2003 Pokrovsky D14/423
D509,180 S * 9/2005 Murray D10/69
D518,057 S * 3/2006 Johnson D14/428
D638,318 S * 5/2011 Riegl D10/66
D642,485 S * 8/2011 Riegl D10/66
D674,389 S * 1/2013 Shen D14/423
D745,522 S * 12/2015 York D14/420

* cited by examiner

Primary Examiner — Susan Bennett Hattan
Assistant Examiner — Jennifer Wright
(74) *Attorney, Agent, or Firm* — Sheppard Mullin
Richter & Hampton LLP

(73) Assignee: **Physical Optics Corporation**,
Torrance, CA (US)

(**) Term: **15 Years**

(21) Appl. No.: **29/535,486**

(22) Filed: **Aug. 6, 2015**

(51) **LOC (10) Cl.** **14-02**

(52) **U.S. Cl.**
USPC **D14/420**

(58) **Field of Classification Search**
USPC D14/420-431; D16/221, 225, 229, 232,
D16/235, 130, 134-136;
382/312, 313, 321, 59,
382/314, 315, 316-319, 322
See application file for complete search history.

(56) **References Cited**
U.S. PATENT DOCUMENTS

D383,075 S * 9/1997 Sawaguchi D10/66
D385,265 S * 10/1997 Knowles D14/403

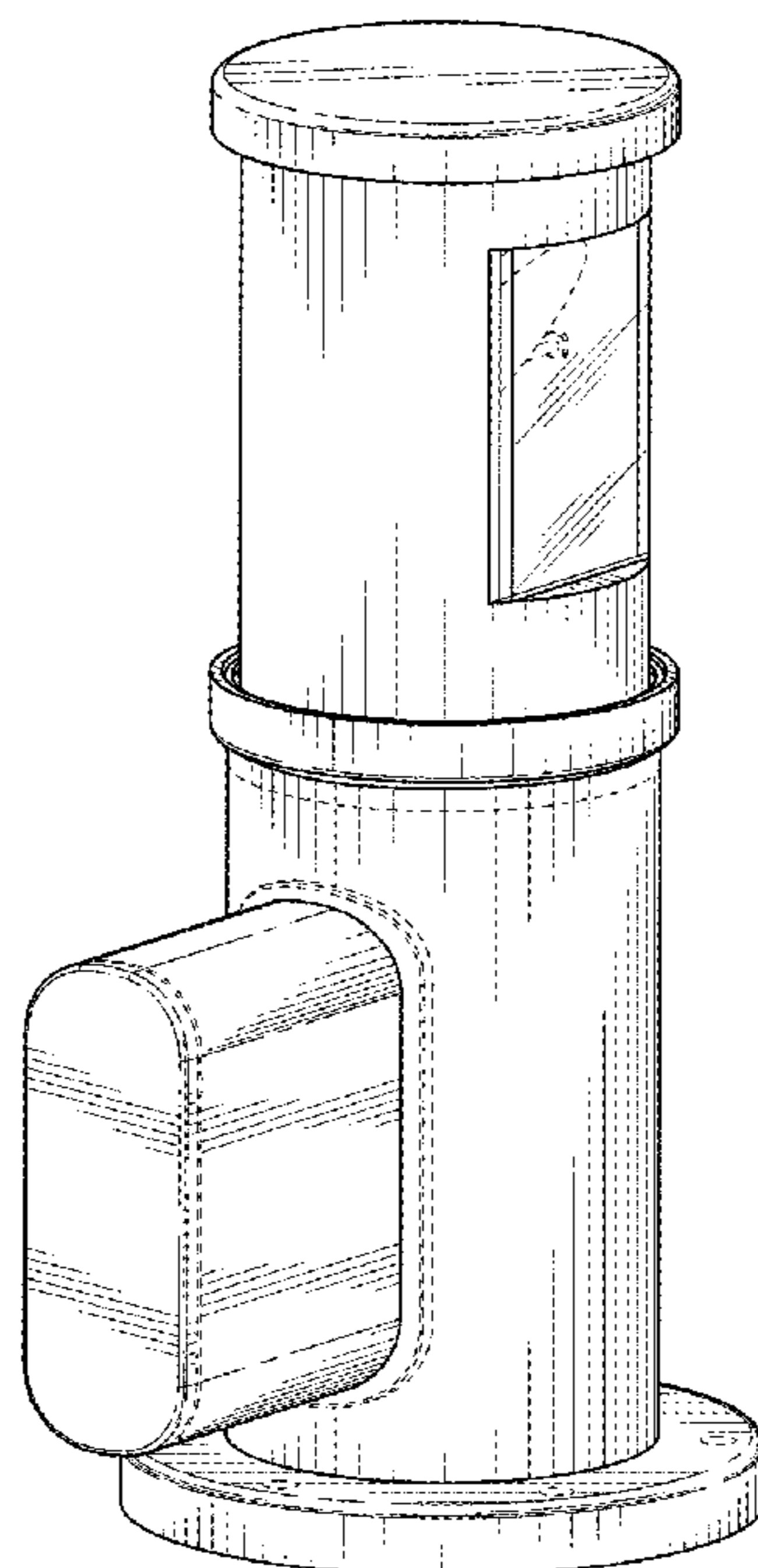
(57) **CLAIM**

We claim the ornamental design for a retroscan, as shown
and described.

DESCRIPTION

FIG. 1 is a top, front and right side perspective view of an
ornamental design for a retroscan;
FIG. 2 is a front elevational view thereof;
FIG. 3 is a back elevational view thereof;
FIG. 4 is a right elevational view thereof;
FIG. 5 is a left elevational view thereof;
FIG. 6 is a top plan view thereof; and,
FIG. 7 is a bottom plan view thereof.
The broken lines illustrate portions of the retroscan that form
no part of the claimed design.

1 Claim, 4 Drawing Sheets



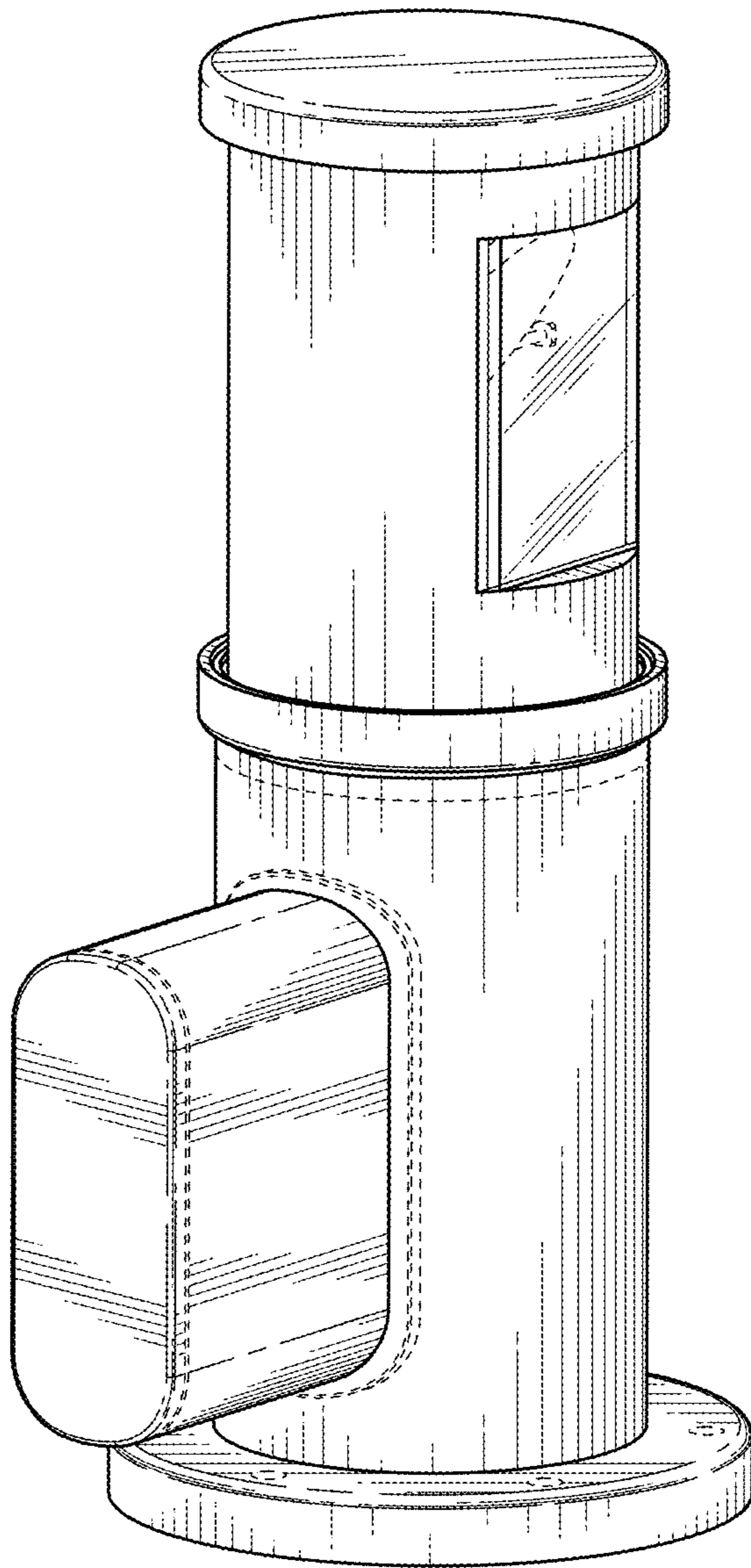


FIG. 1

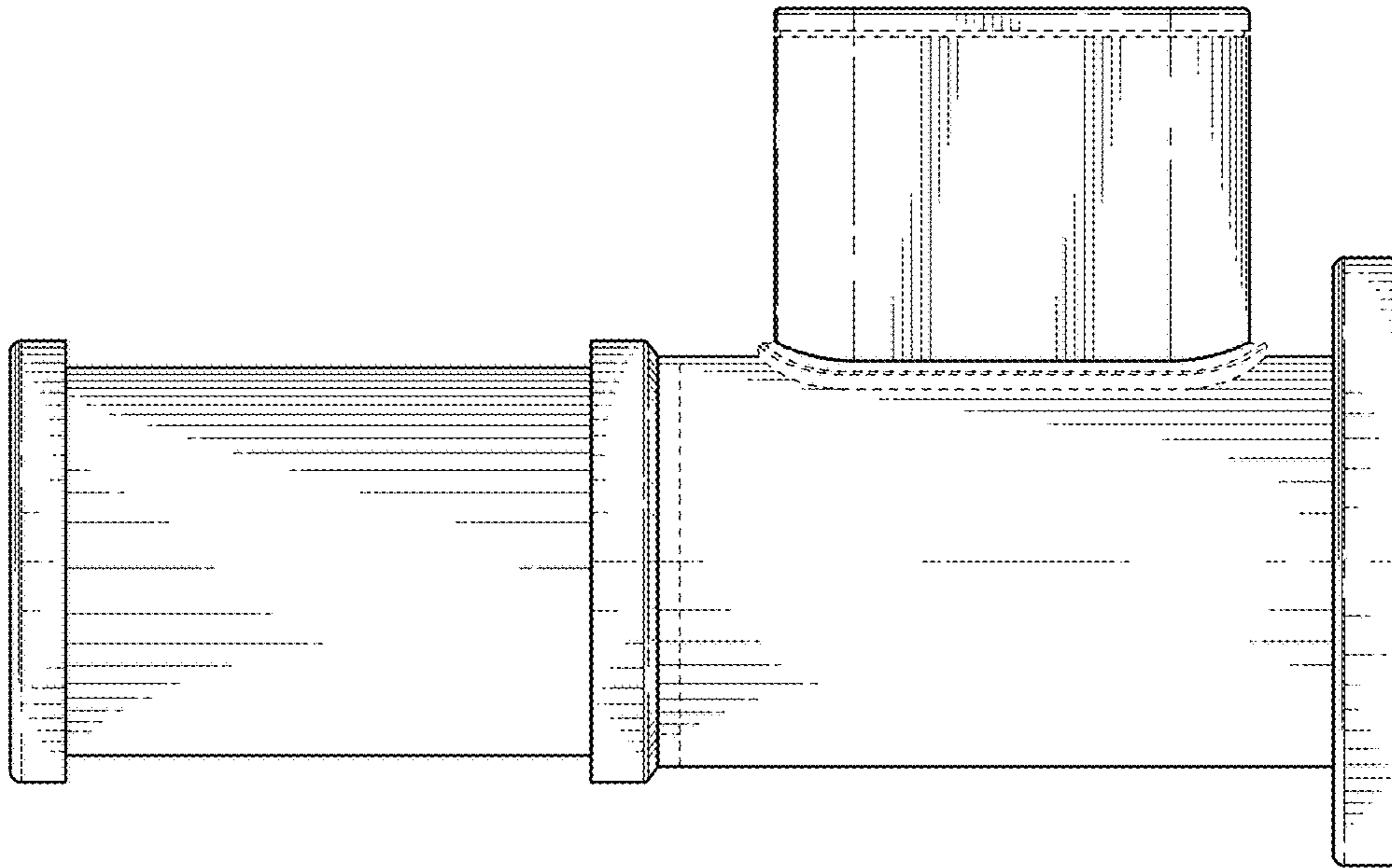


FIG. 3

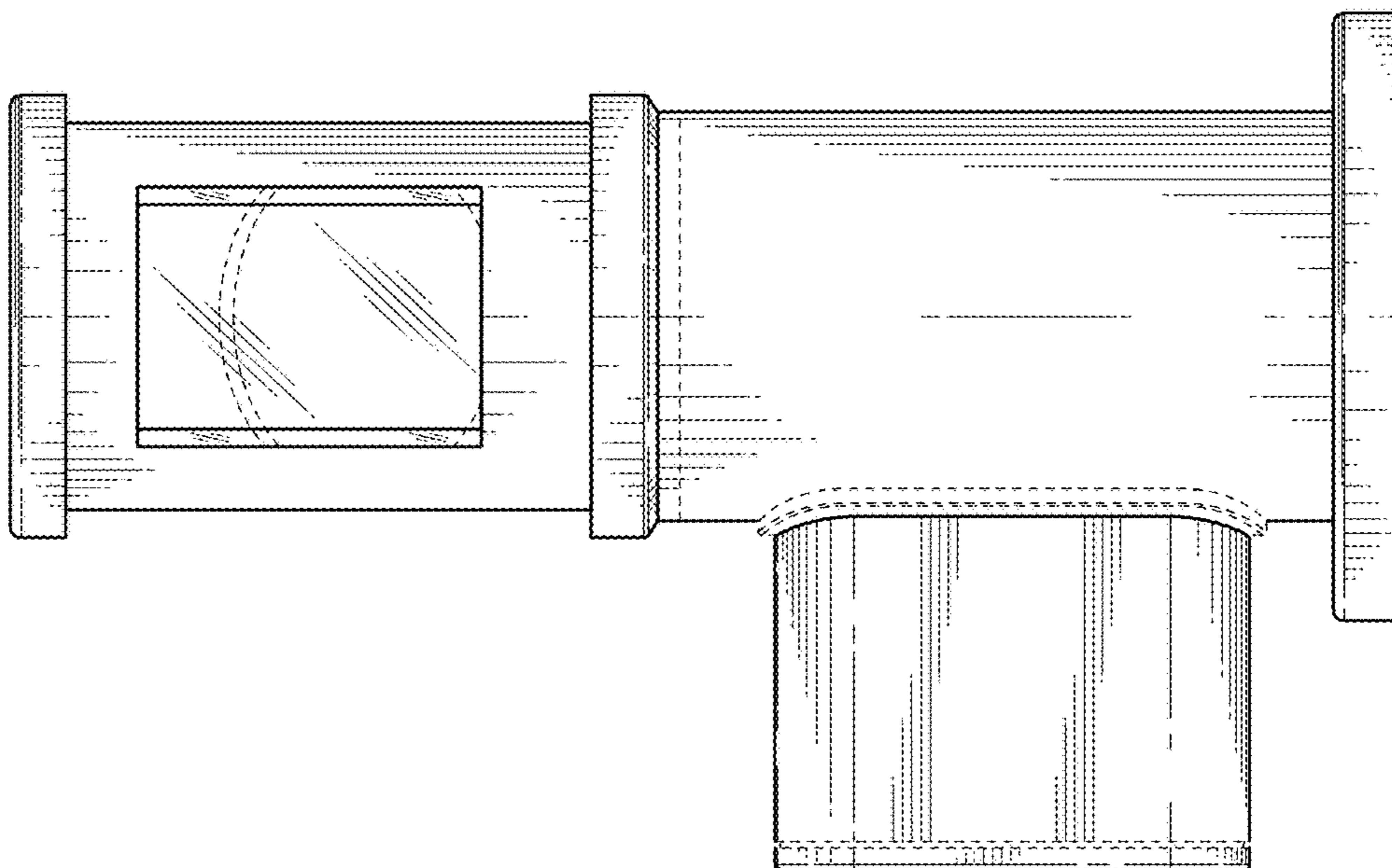


FIG. 2

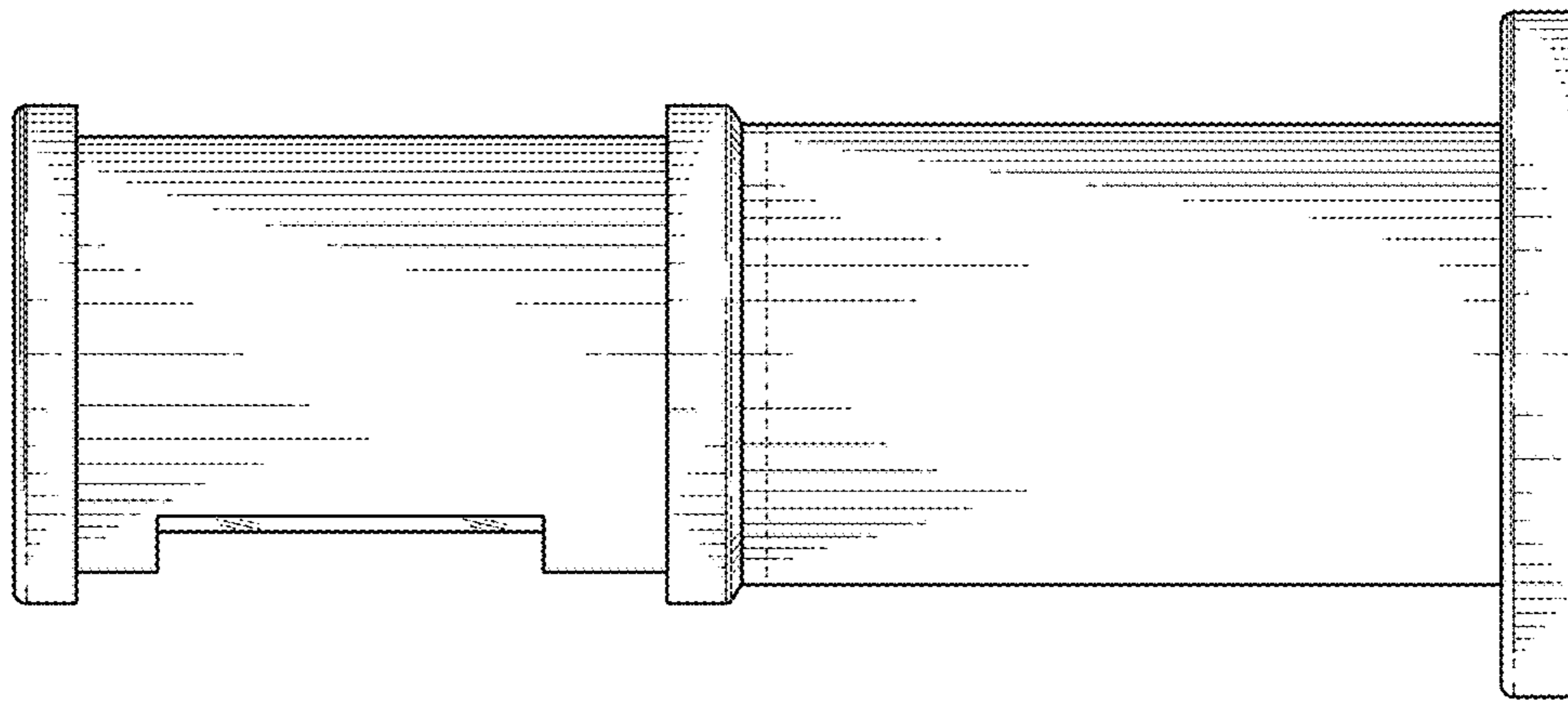


FIG. 5

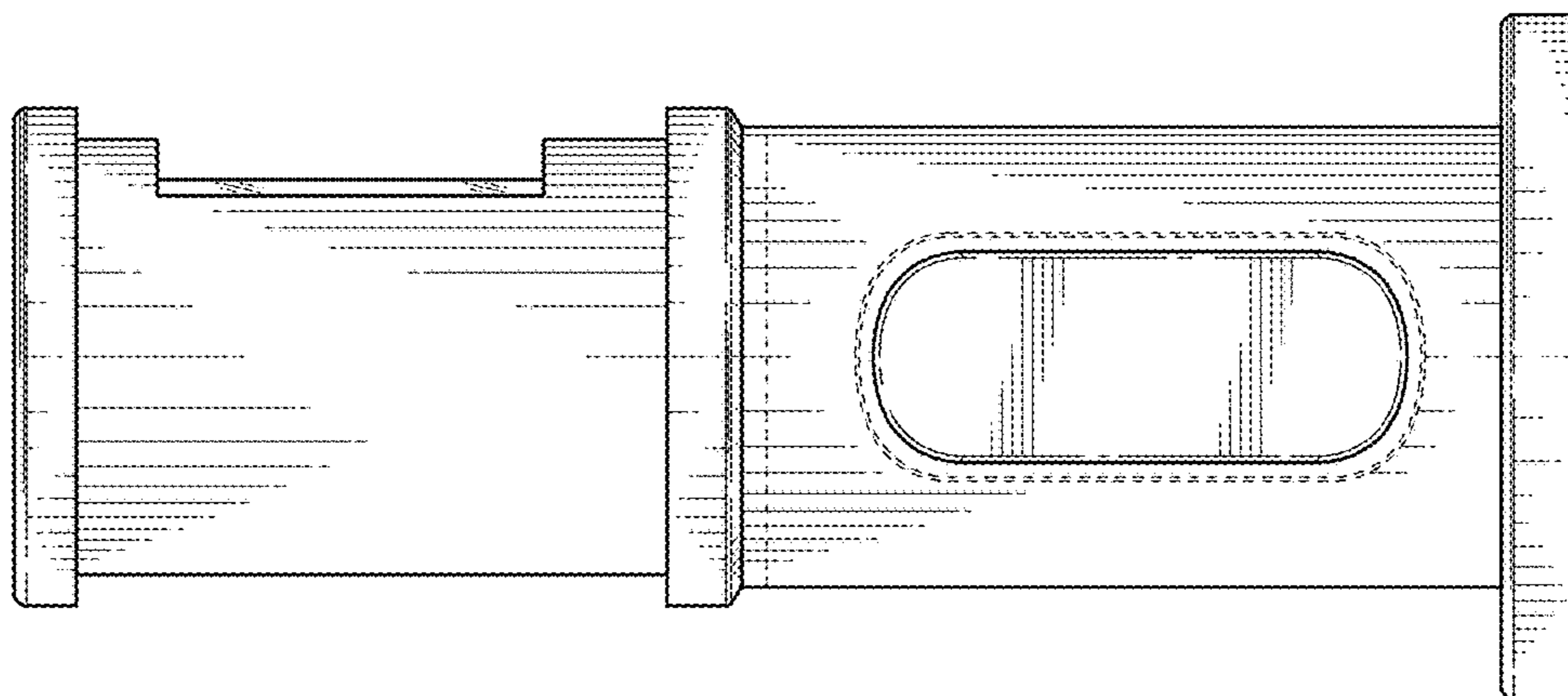


FIG. 4

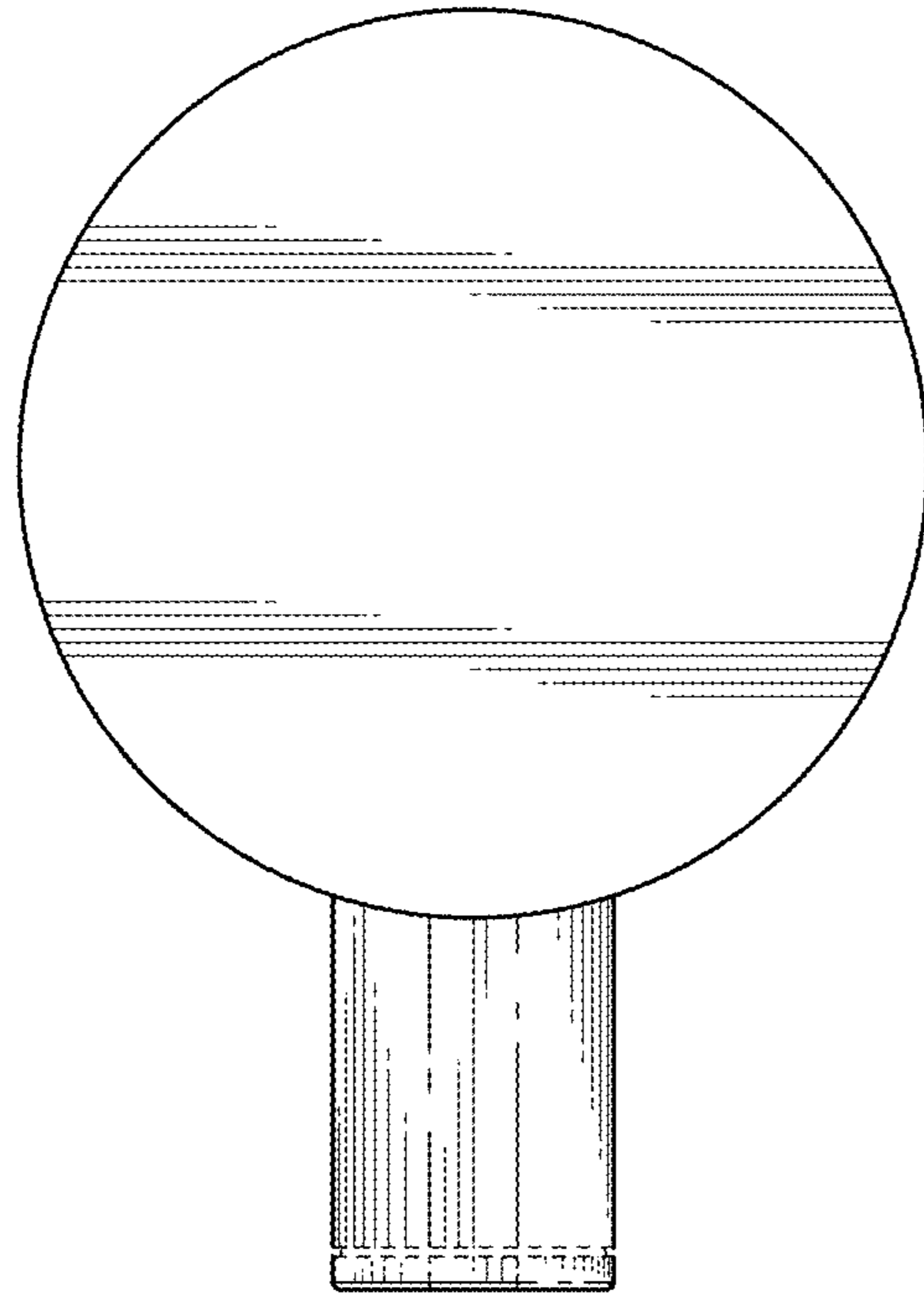


FIG. 7

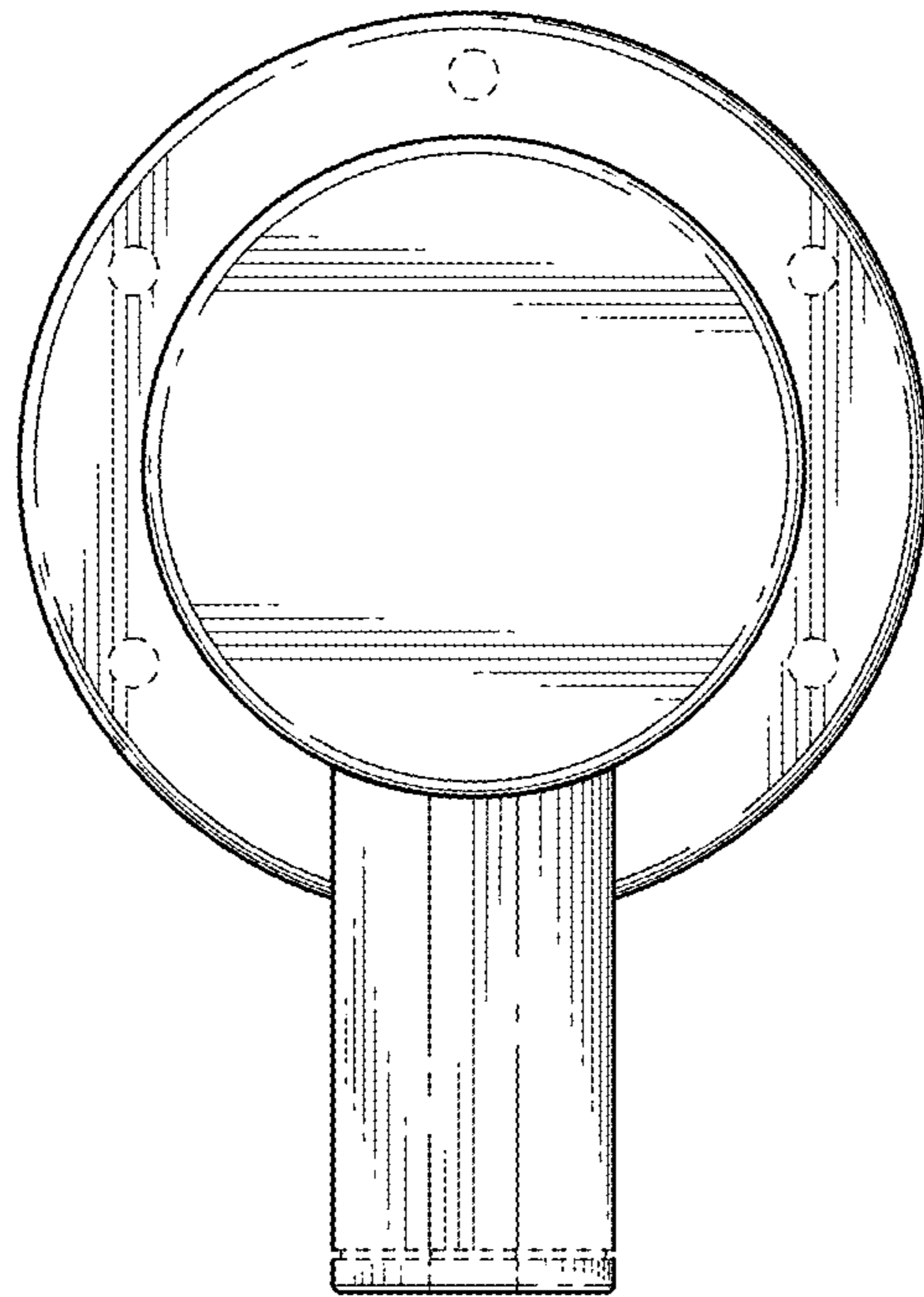


FIG. 6