



US00D773461S

(12) **United States Design Patent**  
**Jiang et al.**

(10) **Patent No.:** **US D773,461 S**  
(45) **Date of Patent:** **\*\* Dec. 6, 2016**

(54) **WEARABLE DISPLAY DEVICE**

(71) Applicant: **SHENZHEN ROYOLE TECHNOLOGIES CO., LTD.**,  
Shenzhen (CN)

(72) Inventors: **Chao Jiang**, Shenzhen (CN); **Fan Yang**, Shenzhen (CN); **Xinyuan Xia**, Shenzhen (CN); **Songling Yang**, Shenzhen (CN)

(\*\*) Term: **15 Years**

(21) Appl. No.: **29/543,079**

(22) Filed: **Oct. 20, 2015**

(30) **Foreign Application Priority Data**

Aug. 19, 2015 (CN) ..... 2015 3 0313084

(51) **LOC (10) Cl.** ..... **14-02**

(52) **U.S. Cl.**  
USPC ..... **D14/372**

(58) **Field of Classification Search**

USPC ..... D14/372, 496, 432, 371, 125, 126, 129,  
D14/299; D16/300-342; 351/158, 153, 144;  
345/7-9, 905; 455/344; 348/115, 53,  
348/121, 739

CPC ..... G02B 27/017; G02B 27/0158; G02B  
27/0161; G02B 27/0181; G02B 27/0185;  
G02B 27/0189

See application file for complete search history.

(56) **References Cited**

**U.S. PATENT DOCUMENTS**

D719,953 S \* 12/2014 Nokuo ..... D14/372  
D727,896 S \* 4/2015 Laluque ..... D14/372  
D739,855 S \* 9/2015 Bosveld ..... D14/372  
D740,810 S \* 10/2015 Bosveld ..... D14/372  
D740,811 S \* 10/2015 Bosveld ..... D14/372  
D741,327 S \* 10/2015 Reznik ..... D14/372

D741,860 S \* 10/2015 Bosveld ..... D14/372  
D749,580 S \* 2/2016 Kim ..... D14/372  
D751,072 S \* 3/2016 Lyons ..... D14/372  
D753,112 S \* 4/2016 Fei ..... D14/372  
D760,225 S \* 6/2016 Passmore ..... D14/372  
D761,257 S \* 7/2016 Passmore ..... D14/372

\* cited by examiner

*Primary Examiner* — Austin Murphy

(57) **CLAIM**

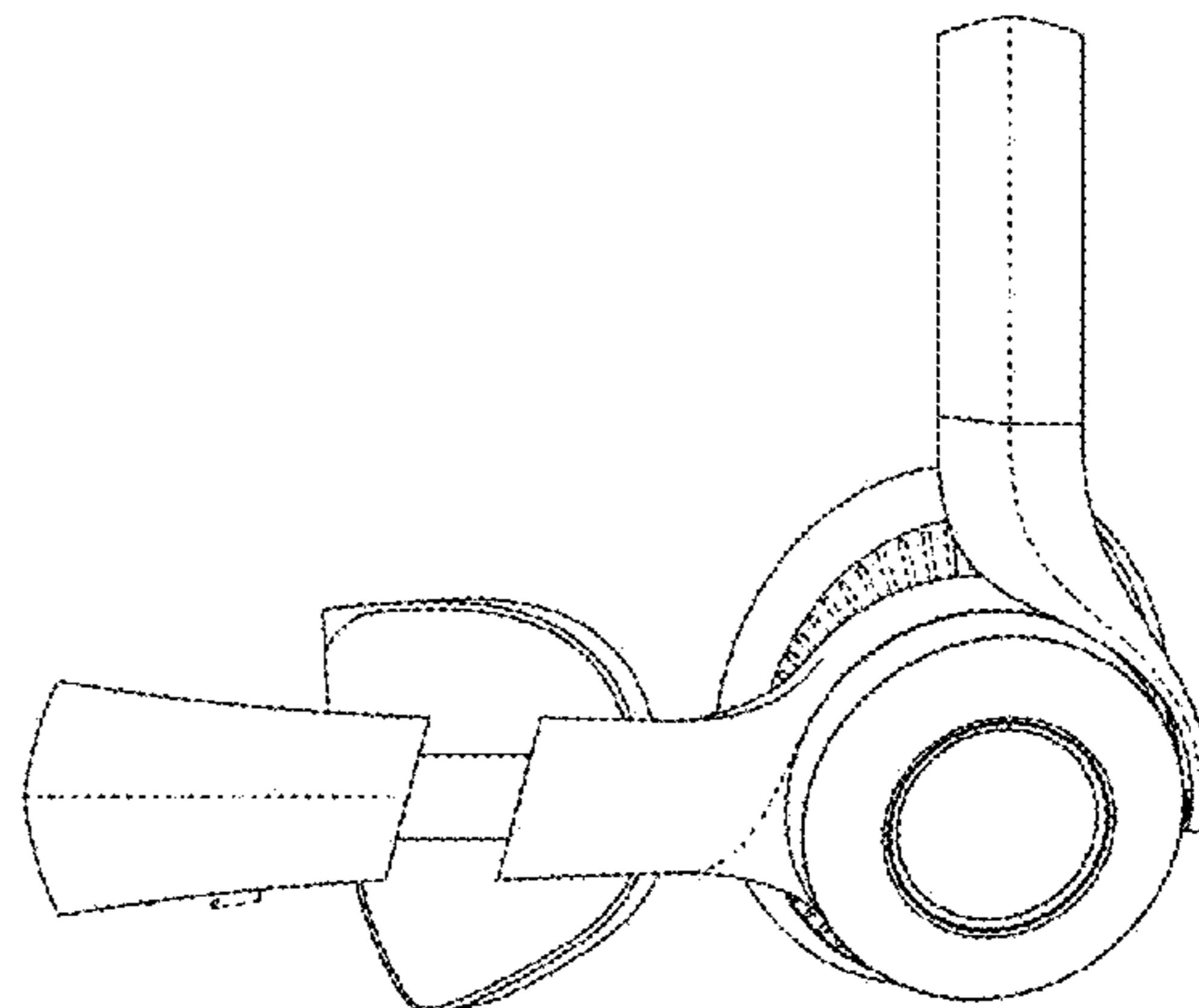
The ornamental design for a wearable display device, as shown and described.

**DESCRIPTION**

FIG. 1 is a front side view of the wearable display device in accordance with a first embodiment of the present invention; FIG. 2 is a back side view of the embodiment of the wearable display device depicted in FIG. 1; FIG. 3 is a left side view of the embodiment of the wearable display device depicted in FIG. 1; FIG. 4 is a right side view of the embodiment of the wearable display device depicted in FIG. 1; FIG. 5 is a top side view of the embodiment of the wearable display device depicted in FIG. 1; FIG. 6 is a bottom side view of the embodiment of the wearable display device depicted in FIG. 1; FIG. 7 is a perspective view illustrating a first practical application of the embodiment of the wearable display device depicted in FIG. 1; FIG. 8 is a right side view illustrating a second practical application of the embodiment of the wearable display device depicted in FIG. 1; and, FIG. 9 is a perspective view illustrating a third practical application of the embodiment of the wearable display device depicted in FIG. 1.

The broken lines showing the environment in the Figures are for illustrative purposes only and form no part of the claimed design.

**1 Claim, 9 Drawing Sheets**



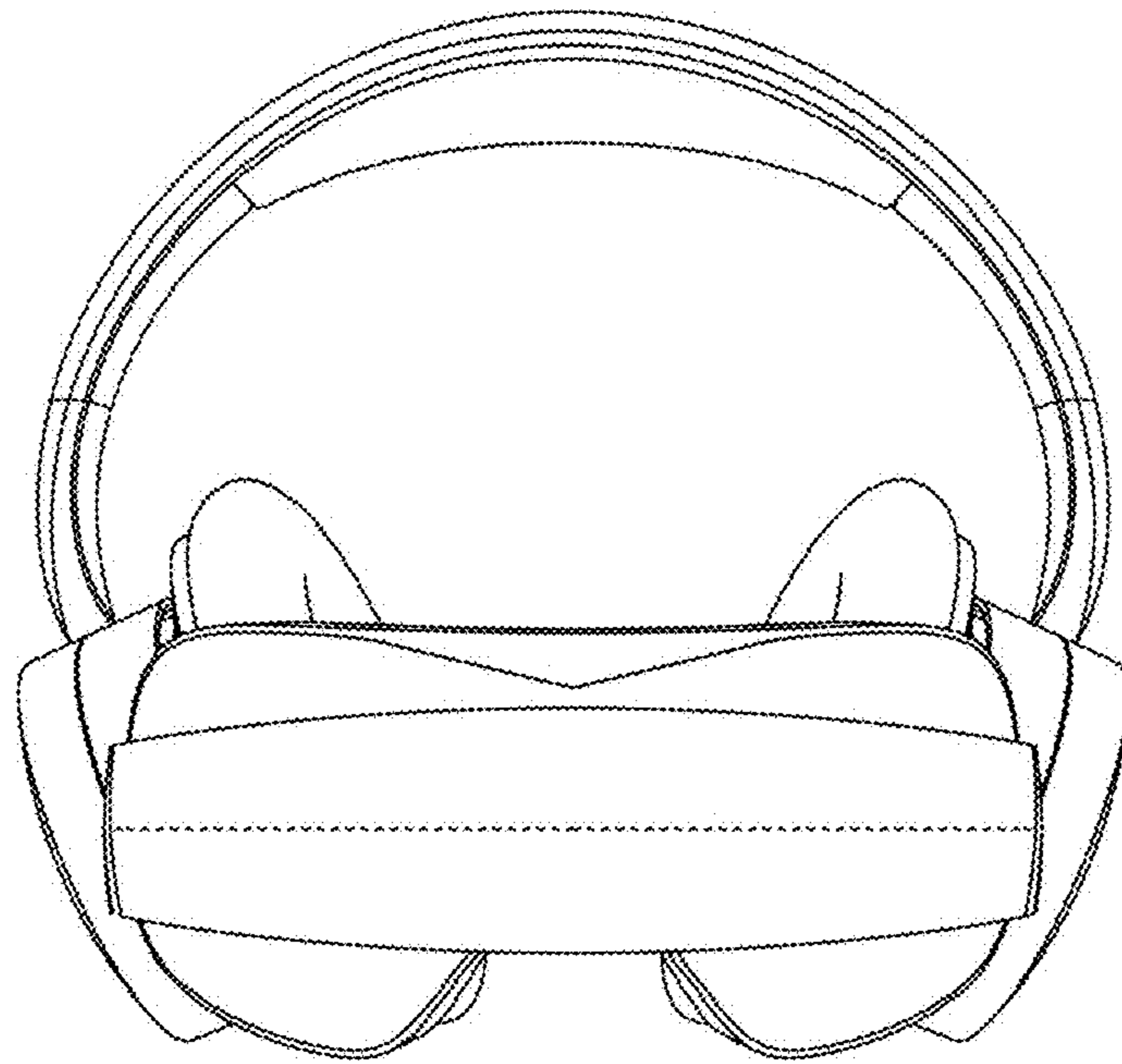


Fig. 1

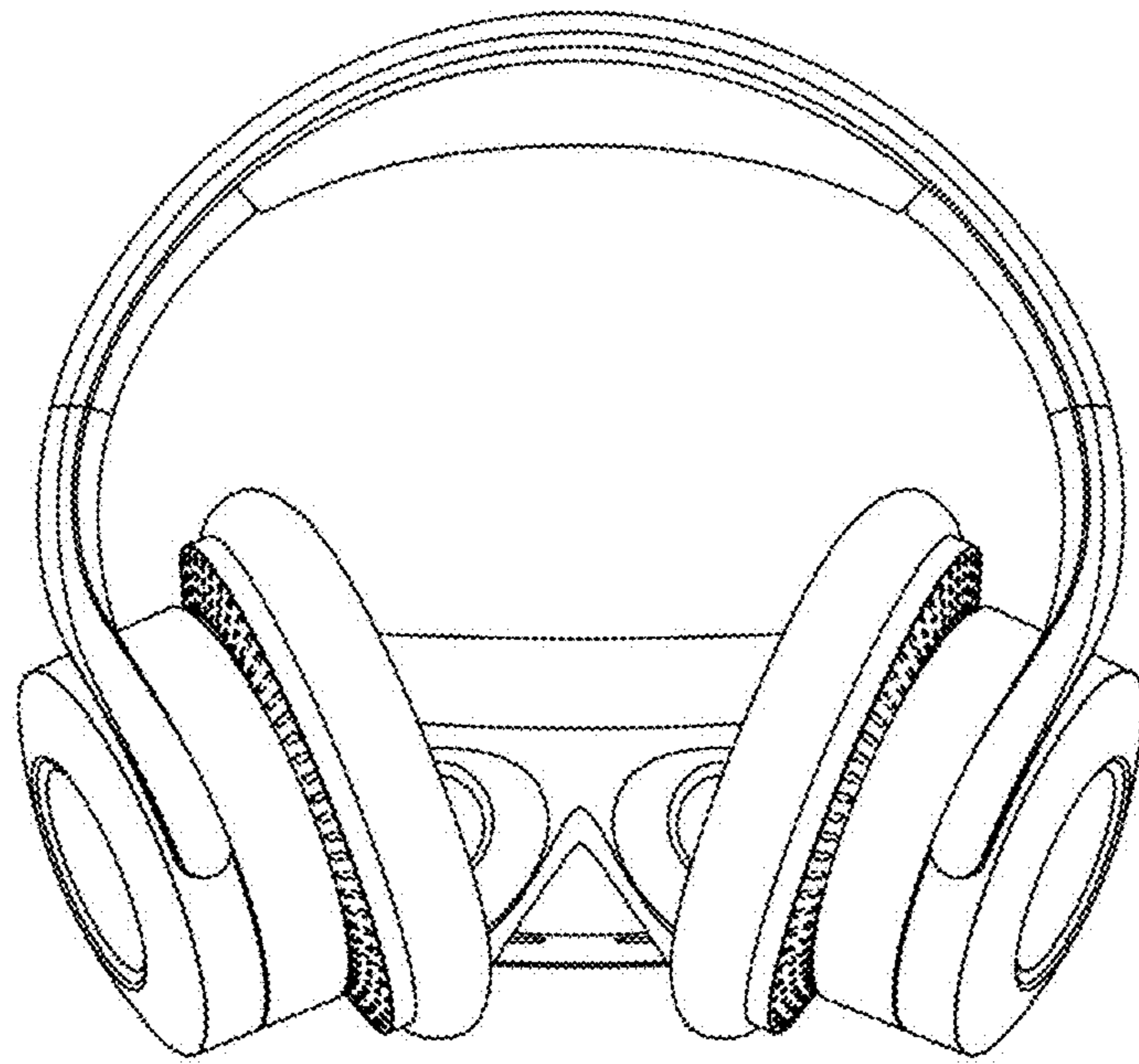


Fig. 2

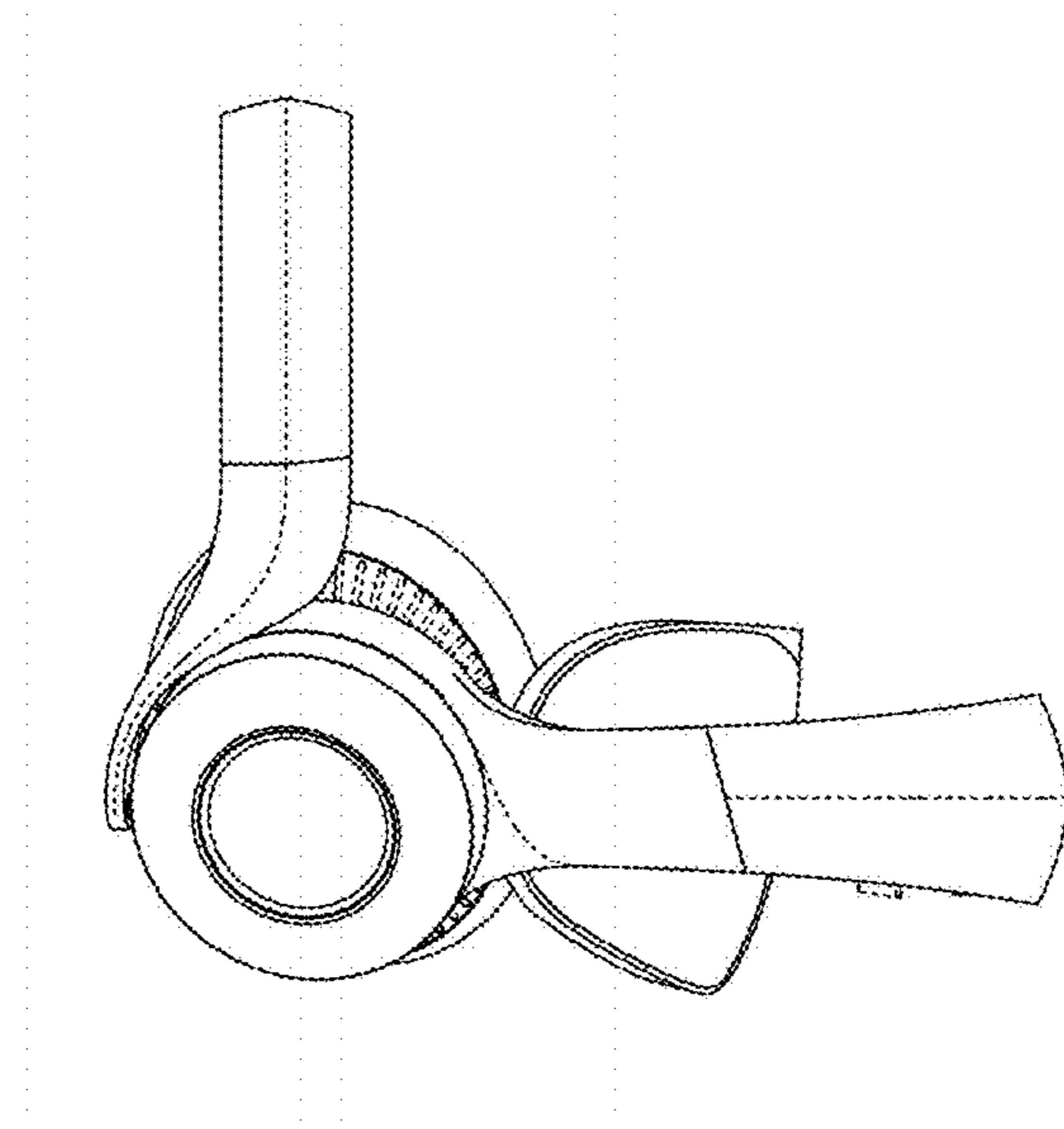


Fig. 3

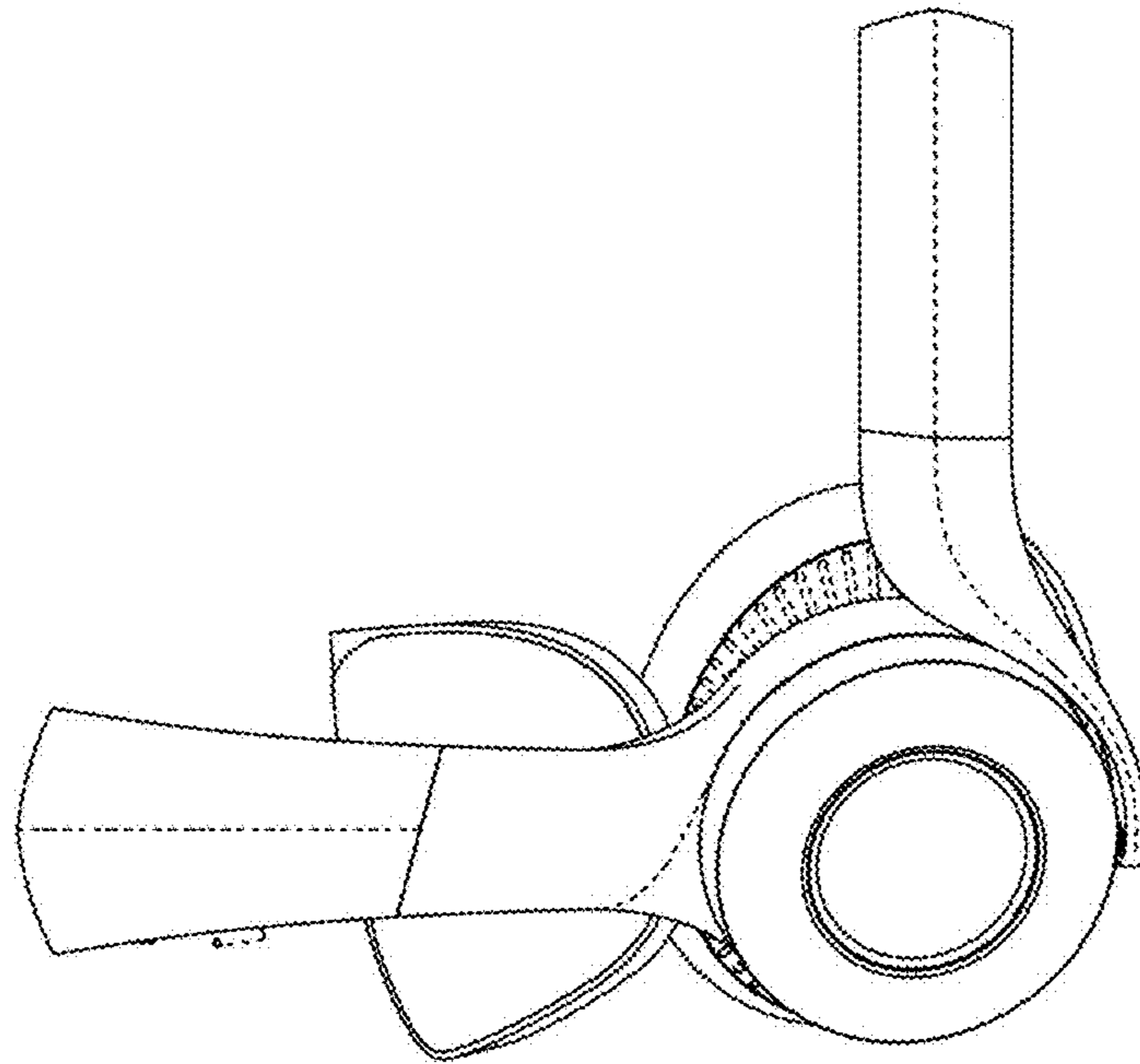


Fig. 4



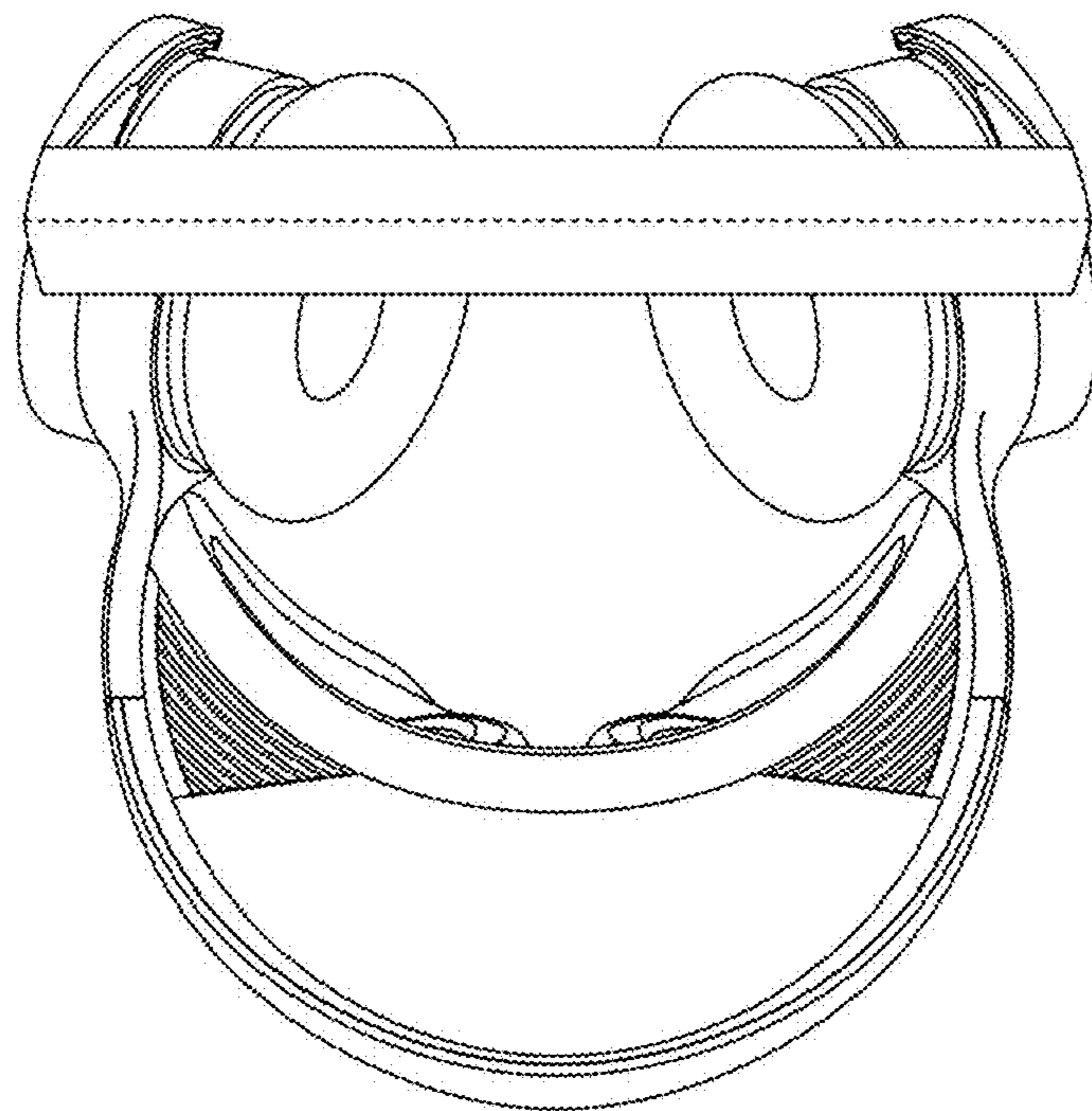


Fig. 5

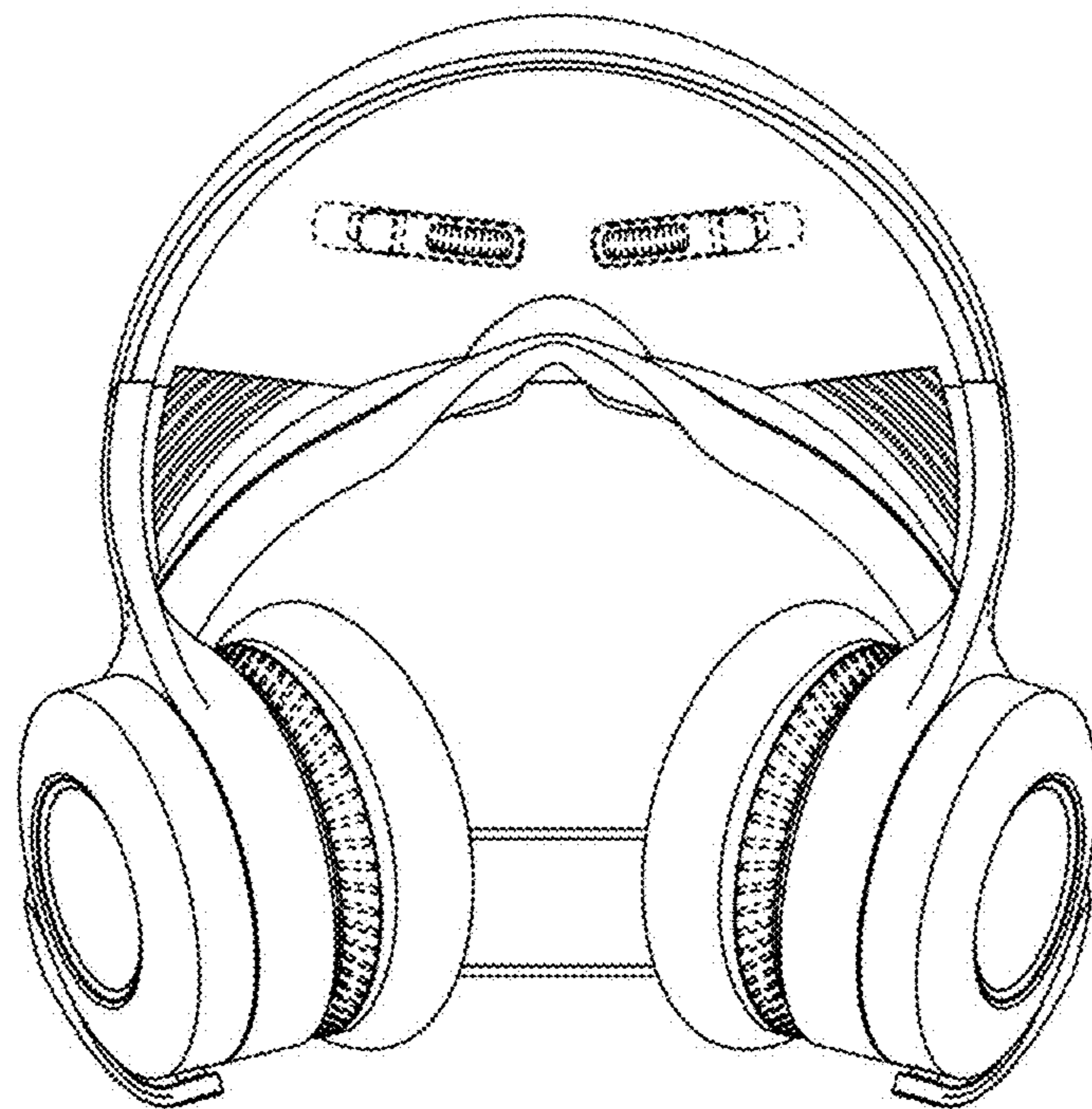


Fig. 6



Fig. 7



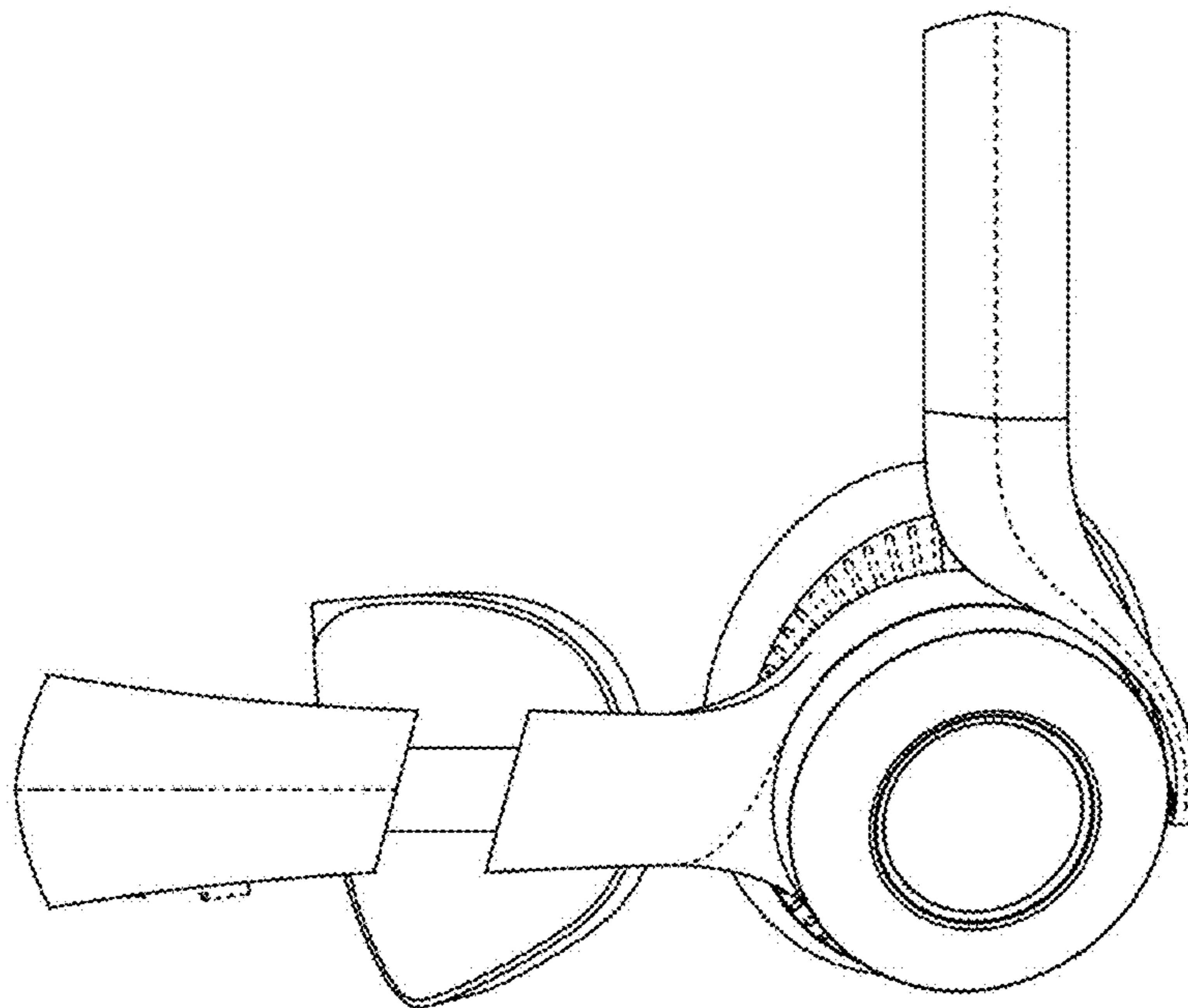


Fig. 8

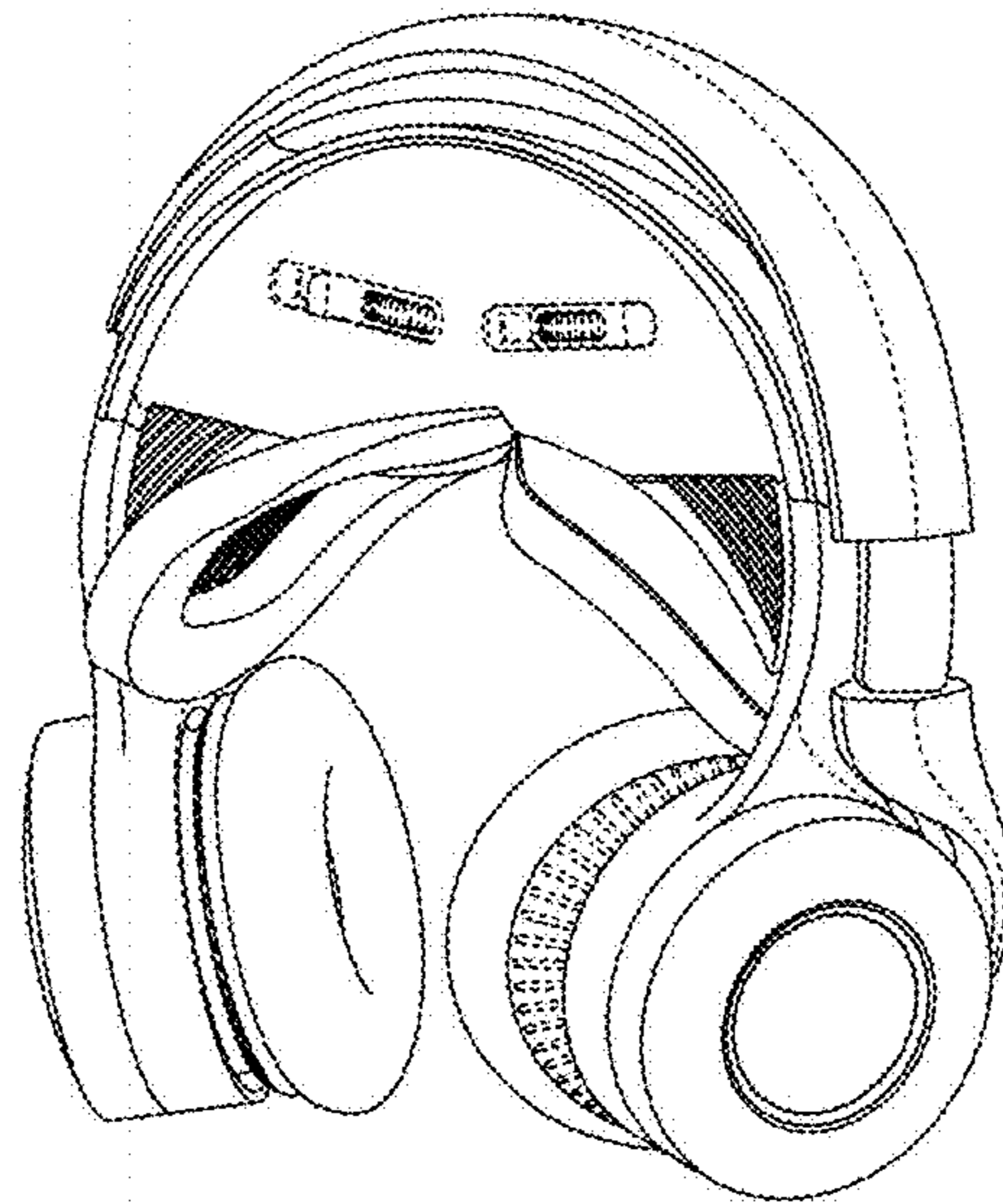


Fig. 9