



US00D773457S

(12) **United States Design Patent** (10) **Patent No.:** **US D773,457 S**
Park et al. (45) **Date of Patent:** **** Dec. 6, 2016**

(54) **WEARABLE DEVICE**

(56) **References Cited**

(71) Applicant: **LG ELECTRONICS INC.**, Seoul (KR)

U.S. PATENT DOCUMENTS

(72) Inventors: **Soonhyun Park**, Seoul (KR);
Cheolwoong Shin, Seoul (KR);
Hongsik Kim, Seoul (KR); **Jinki Min**,
Seoul (KR); **Seunghwan Song**, Seoul
(KR); **Byunghyun Yi**, Seoul (KR);
Jiyoun Cha, Seoul (KR)

3,395,531 A *	8/1968	Caprara	G04B 37/0008 368/291
4,218,873 A *	8/1980	Lang	G04B 37/116 368/276
4,390,288 A *	6/1983	Arnoux	G04B 37/0058 368/276
6,587,400 B1 *	7/2003	Line	G04C 10/00 368/204
D537,371 S *	2/2007	Belamich	D10/39
D577,611 S *	9/2008	Lalo	D10/32
D588,025 S *	3/2009	Belamich	D10/39
D594,352 S *	6/2009	Belamich	D10/39
7,628,530 B2 *	12/2009	Andren	G04B 37/1486 224/177
D755,645 S *	5/2016	Belamich	D10/125

(73) Assignee: **LG ELECTRONICS INC.**, Seoul (KR)

(**) Term: **15 Years**

* cited by examiner

(21) Appl. No.: **29/534,912**

Primary Examiner — Antoine D Davis

(22) Filed: **Jul. 31, 2015**

(74) *Attorney, Agent, or Firm* — Birch, Stewart, Kolasch & Birch, LLP

(30) **Foreign Application Priority Data**

Feb. 2, 2015 (KR) 30-2015-0005722

(51) **LOC (10) Cl.** **14-02**

(52) **U.S. Cl.**
USPC **D14/344; D10/38; D10/70; D10/98**

(58) **Field of Classification Search**
USPC D10/30-39, 65, 70, 78, 97, 98; D11/3;
D14/138 R, 203.5, 203.6, 341, 344, 347;
D24/167, 168, 186
CPC A44C 5/00-5/16; G04B 37/00-37/228;
G04B 45/0069; G04B 47/04; G04B
19/00-19/34; G04B 21/12; G04B 23/12;
G04B 47/00-47/068; G01C 17/00; G01C
21/00-21/3697

See application file for complete search history.

(57) **CLAIM**

The ornamental design for a wearable device, as shown and described.

DESCRIPTION

FIG. 1 is a perspective view of a wearable device showing our new design;
FIG. 2 is a front view thereof;
FIG. 3 is a rear view thereof;
FIG. 4 is a left side view thereof;
FIG. 5 is a right side view thereof;
FIG. 6 is a top plan view thereof; and,
FIG. 7 is a bottom plan view thereof.
The broken lines depict portions of the wearable device that form no part of the claimed design.

1 Claim, 7 Drawing Sheets

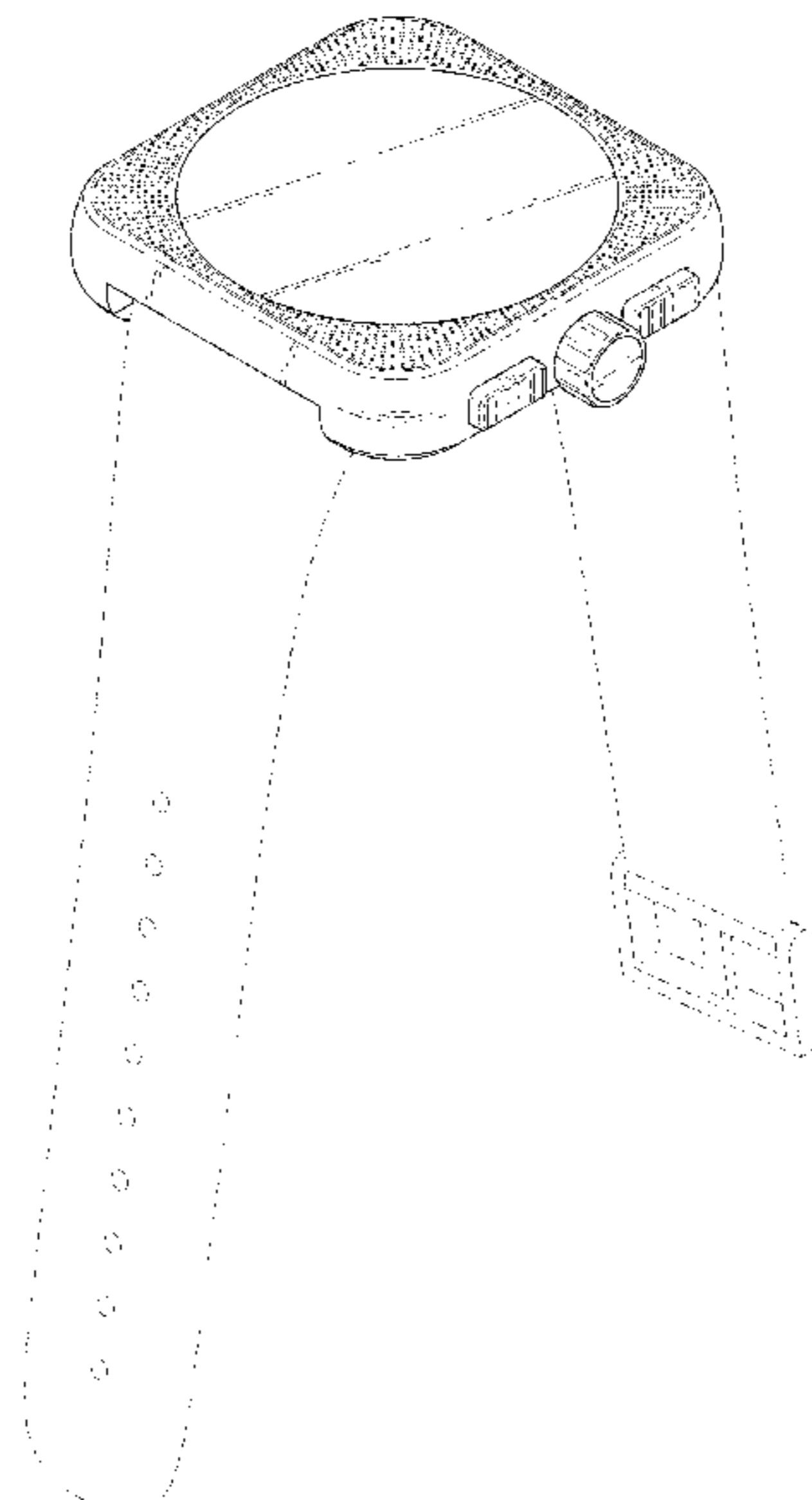


FIG. 1

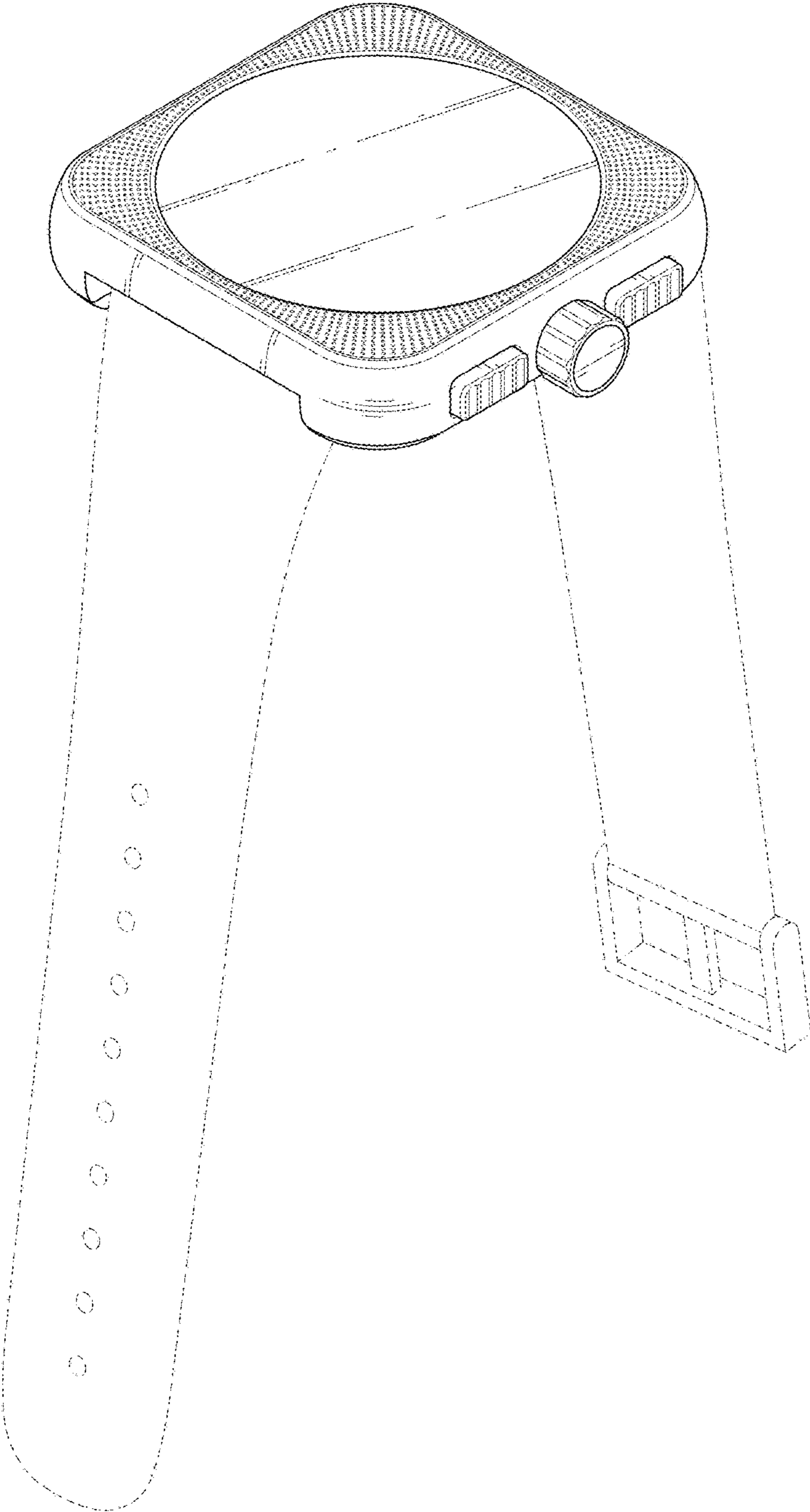


FIG. 2

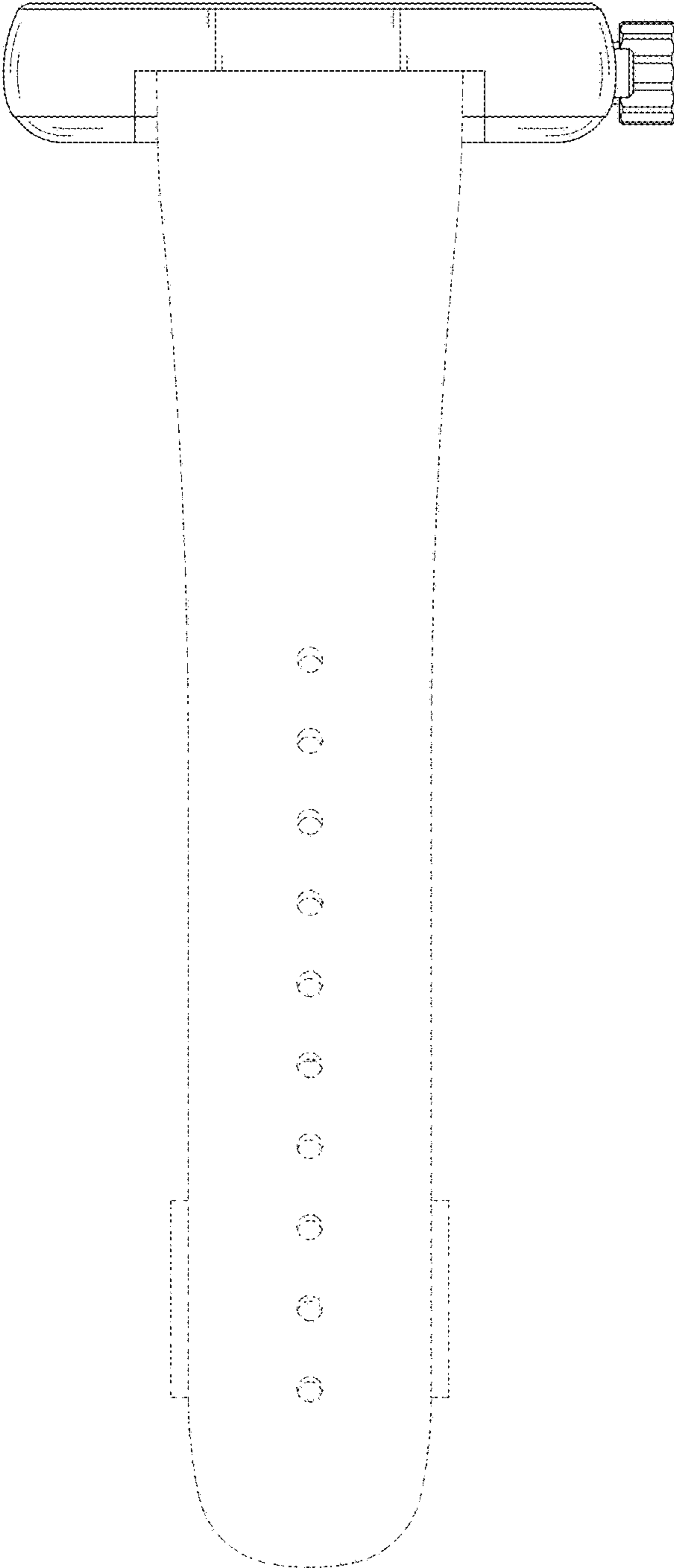


FIG. 3

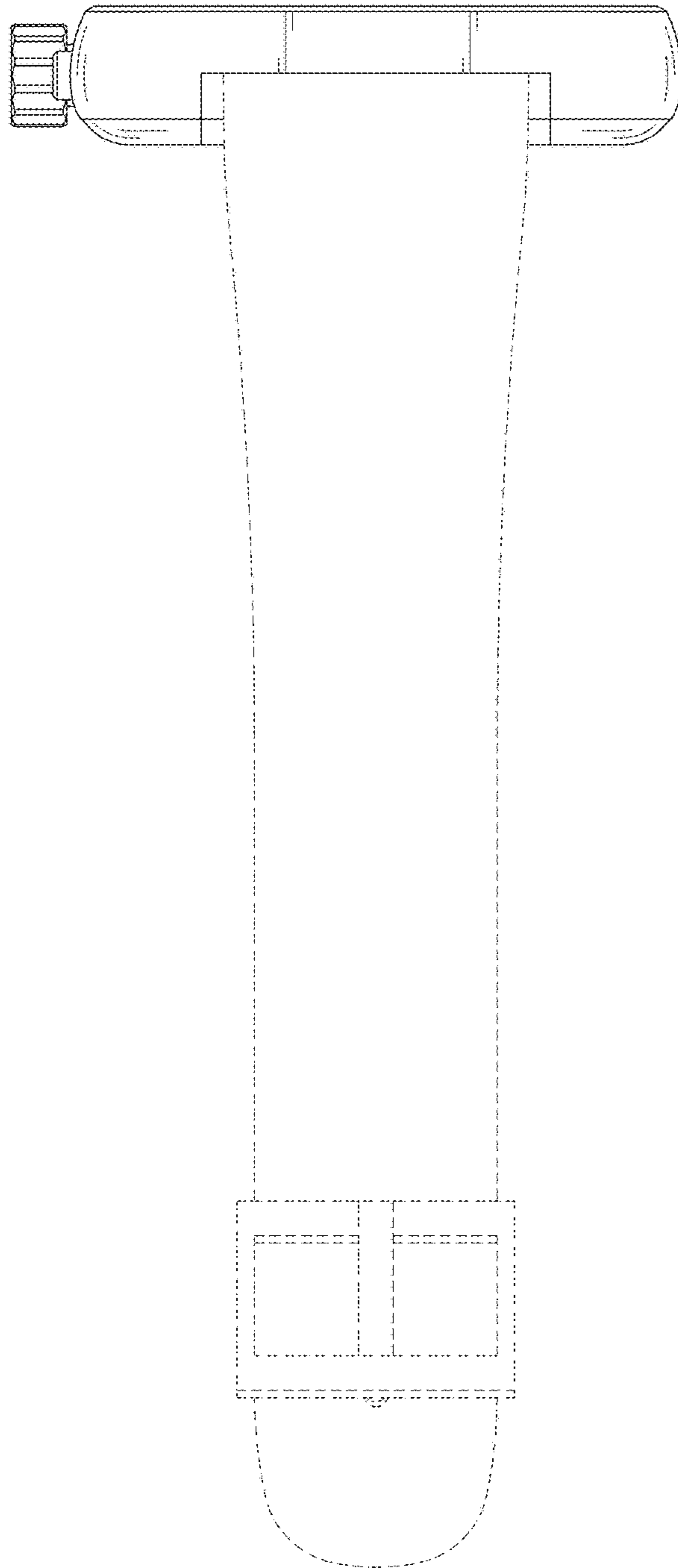


FIG. 4

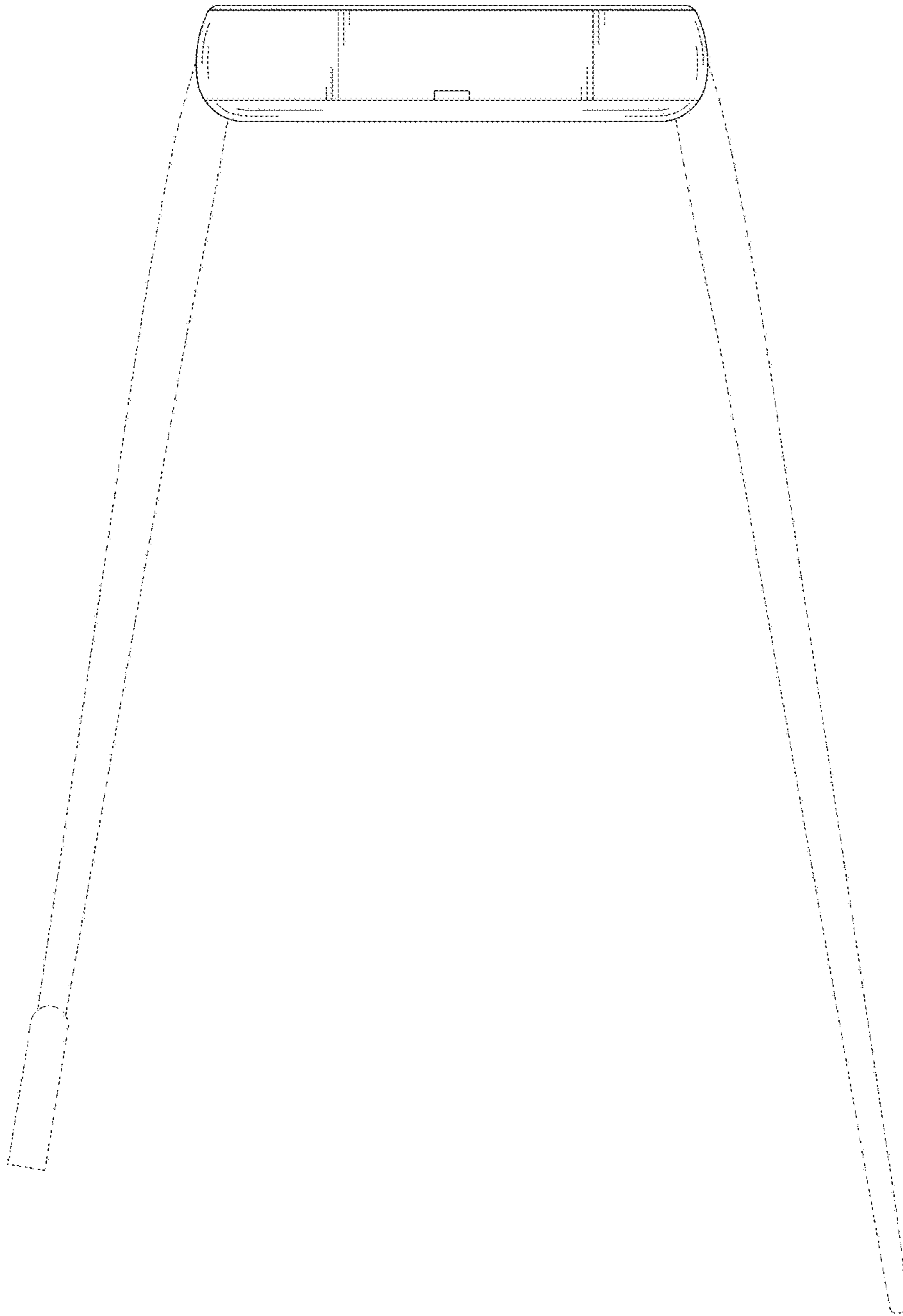


FIG. 5

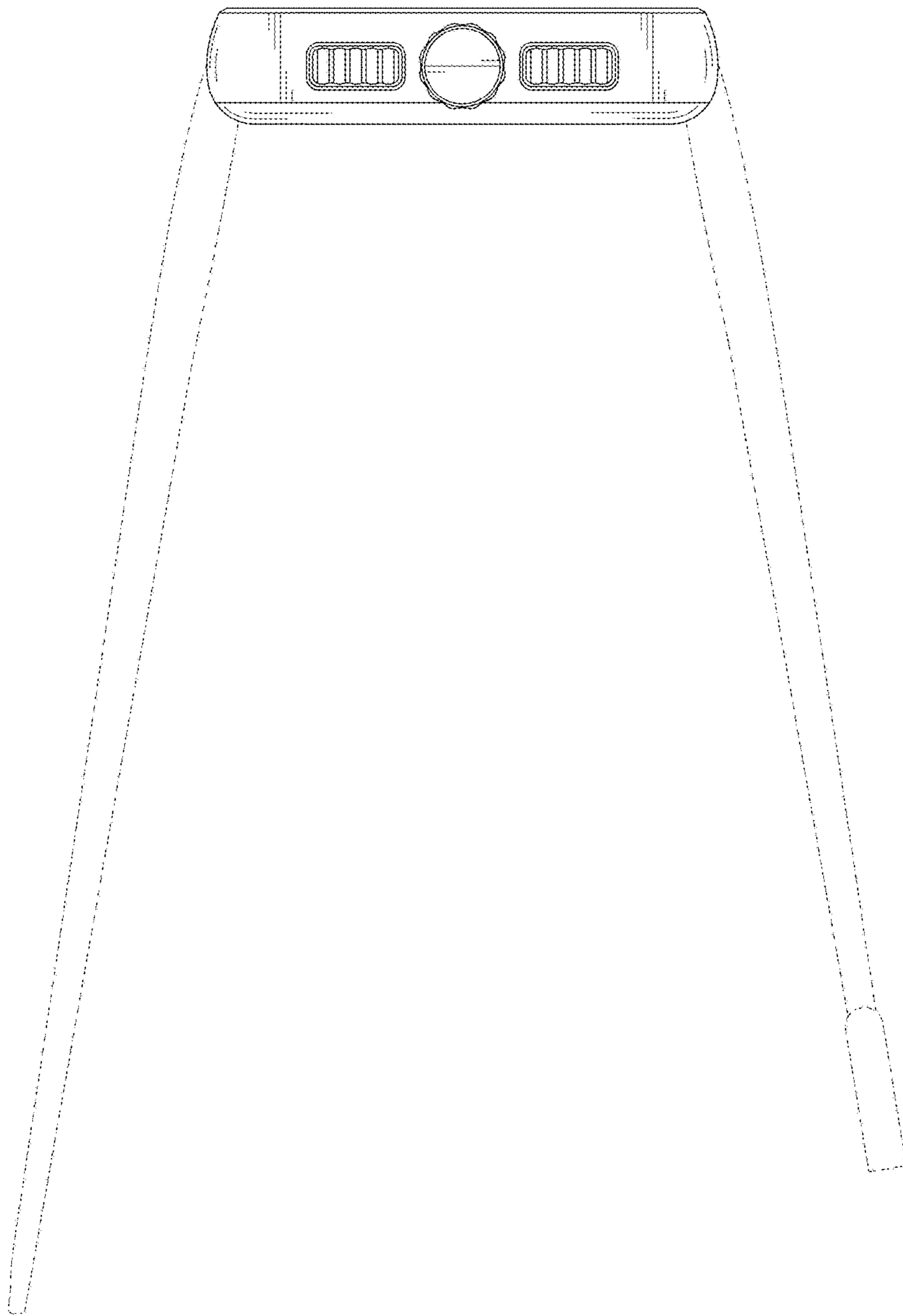


FIG. 6

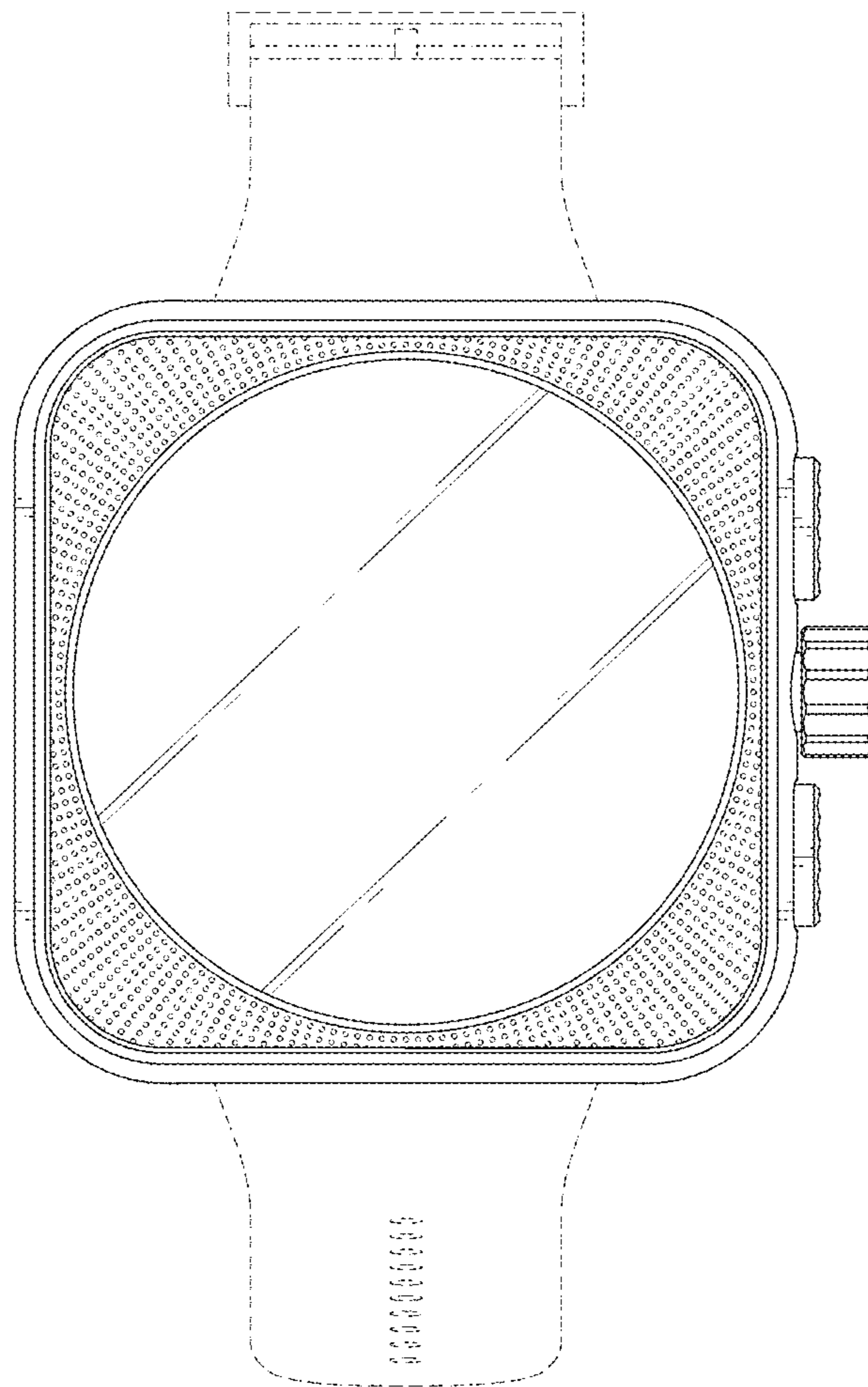


FIG. 7

