



US00D773455S

(12) **United States Design Patent**  
**Lee et al.**

(10) **Patent No.:** **US D773,455 S**  
(45) **Date of Patent:** **\*\* Dec. 6, 2016**

(54) **ELECTRONIC DEVICE**

(71) Applicant: **Samsung Electronics Co., Ltd.**,  
Suwon-si (KR)

(72) Inventors: **Min Hee Lee**, Seoul (KR); **Chul Yong Cho**, Seoul (KR)

(73) Assignee: **Samsung Electronics Co., Ltd.**,  
Suwon-si (KR)

(\*\*) Term: **14 Years**

(21) Appl. No.: **29/510,091**

(22) Filed: **Nov. 25, 2014**

(30) **Foreign Application Priority Data**

May 29, 2014 (KR) ..... 30-2014-0026523

(51) **LOC (10) Cl.** ..... **14-02**

(52) **U.S. Cl.**  
USPC ..... **D14/341**

(58) **Field of Classification Search**

USPC ..... D14/341-347, 137, 138 R,  
138 AA,D14/138 AB, 138 C, 138 G,  
203.1, 203.3, 203.4,D14/203.7, 129, 130,  
147, 218, 247, 248, 332,D14/388, 389,  
315-318, 420, 426, 429, 489,D14/492,  
496; D10/50, 65, 104.1; D18/6; D21/329,  
330; D6/308, 310  
CPC .... G06F 1/1613; G06F 1/1647; G06F 1/1641;  
G06F 3/04883; G06F 3/0486; G06F  
3/04847; G06F 3/04845; G06F 3/04817;  
G06F 3/0484; H04M 1/0279; H04M  
1/0281; H04M 1/0283; A63H 33/3016  
See application file for complete search history.

(56) **References Cited**

**U.S. PATENT DOCUMENTS**

D276,732 S \* 12/1984 Marquez ..... D19/113  
D321,172 S \* 10/1991 Moore, IV ..... D14/389

D370,355 S \* 6/1996 Kenney ..... D6/310  
D547,739 S \* 7/2007 Lewis ..... D14/126  
D548,714 S \* 8/2007 Kim ..... D14/138 AD  
D556,707 S \* 12/2007 Fujii ..... D14/126  
D562,320 S \* 2/2008 Kim ..... D14/375  
D603,361 S \* 11/2009 Kang ..... D14/138 AA  
D608,332 S \* 1/2010 Huang ..... D14/138 G  
D619,990 S \* 7/2010 Lai ..... D14/138 AD  
D634,318 S \* 3/2011 Buckle ..... D14/341  
D642,561 S \* 8/2011 Tang ..... D14/336  
D643,426 S \* 8/2011 A. B. .... D14/316  
D656,497 S \* 3/2012 Chiu ..... D14/341  
D661,266 S \* 6/2012 Laube ..... D14/126  
D662,932 S \* 7/2012 Park ..... D14/341  
D663,281 S \* 7/2012 Hwang ..... D14/138 G  
D695,248 S \* 12/2013 Jeong ..... D14/138 AA

(Continued)

*Primary Examiner* — Barbara Fox

*Assistant Examiner* — Dana K Weiland

(74) *Attorney, Agent, or Firm* — NSIP Law

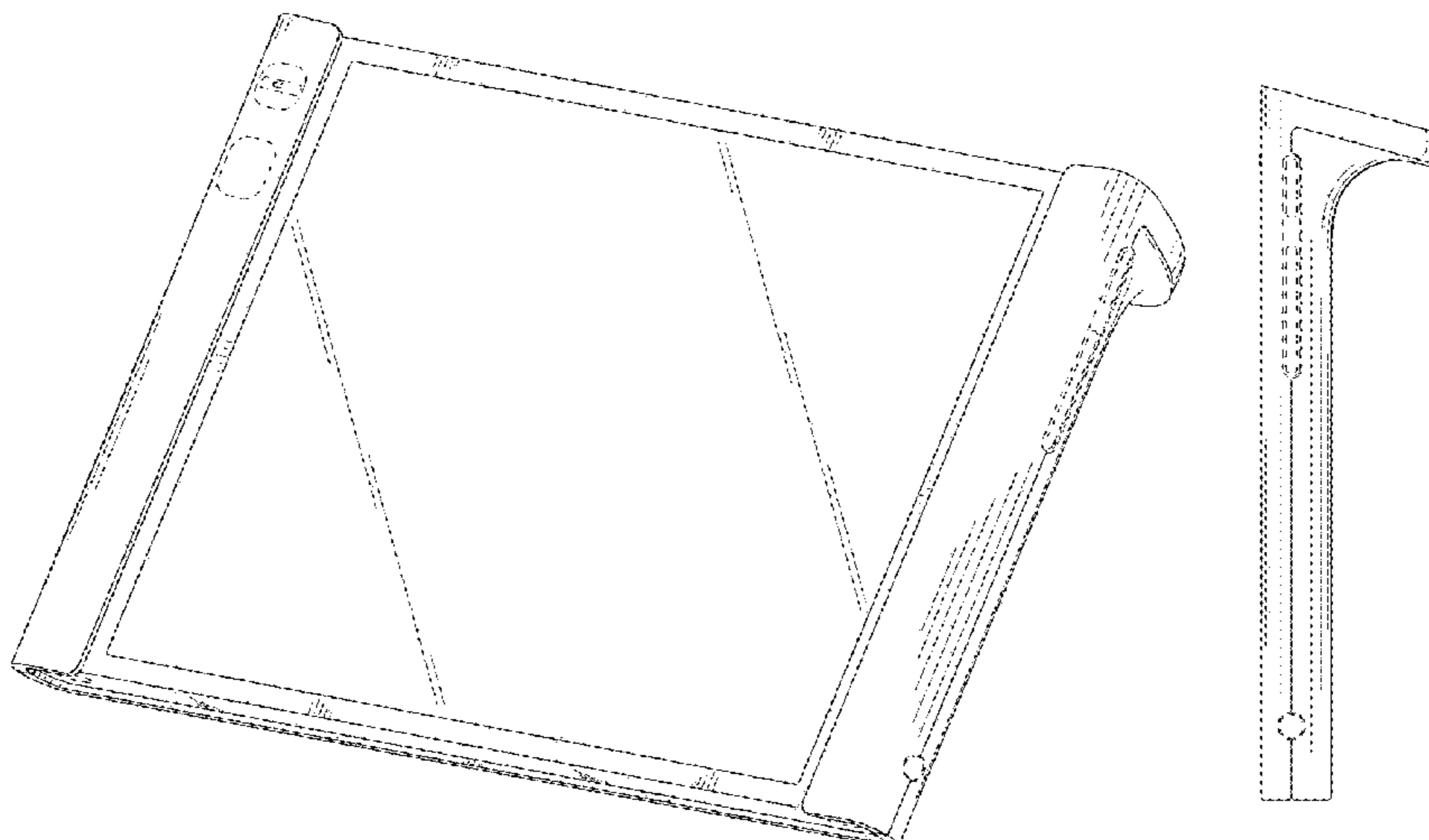
(57) **CLAIM**

We claim the ornamental design for an electronic device, as shown and described.

**DESCRIPTION**

FIG. 1 is a front perspective view of an electronic device showing our new design;  
FIG. 2 is a front view thereof;  
FIG. 3 is a rear view thereof;  
FIG. 4 is a left-side view thereof;  
FIG. 5 is a right-side view thereof;  
FIG. 6 is a top view thereof;  
FIG. 7 is a bottom view thereof;  
FIG. 8 is a top rear perspective view thereof;  
FIG. 9 is a bottom rear perspective view thereof;  
FIG. 10 is a right-side perspective view thereof; and,  
FIG. 11 is a left-side perspective view thereof.  
The broken lines in the figures show portions of the electronic device which form no part of the claimed design.

**1 Claim, 10 Drawing Sheets**



(56)

**References Cited**

U.S. PATENT DOCUMENTS

D712,399 S *	9/2014	Sohn .....	D14/336
D723,448 S *	3/2015	Woo .....	D12/400
D726,136 S *	4/2015	Cho .....	D14/126
D741,319 S *	10/2015	Yun .....	D14/341
D744,990 S *	12/2015	Lee .....	D14/138 G
D747,285 S *	1/2016	Kim .....	D14/138 G
D749,564 S *	2/2016	Cho .....	D14/341
D755,785 S *	5/2016	Sirotych .....	D14/341

\* cited by examiner

FIG. 1

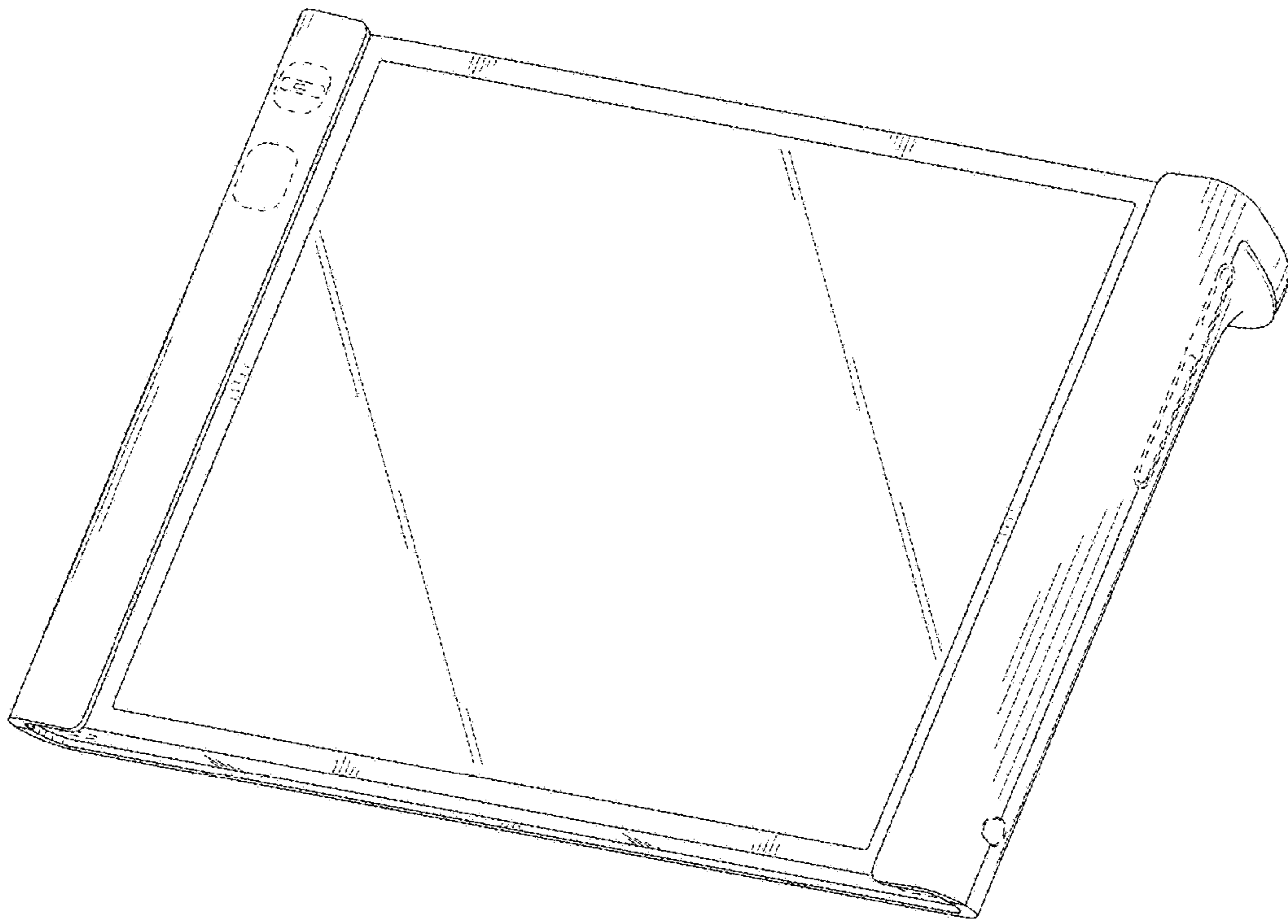


FIG. 2

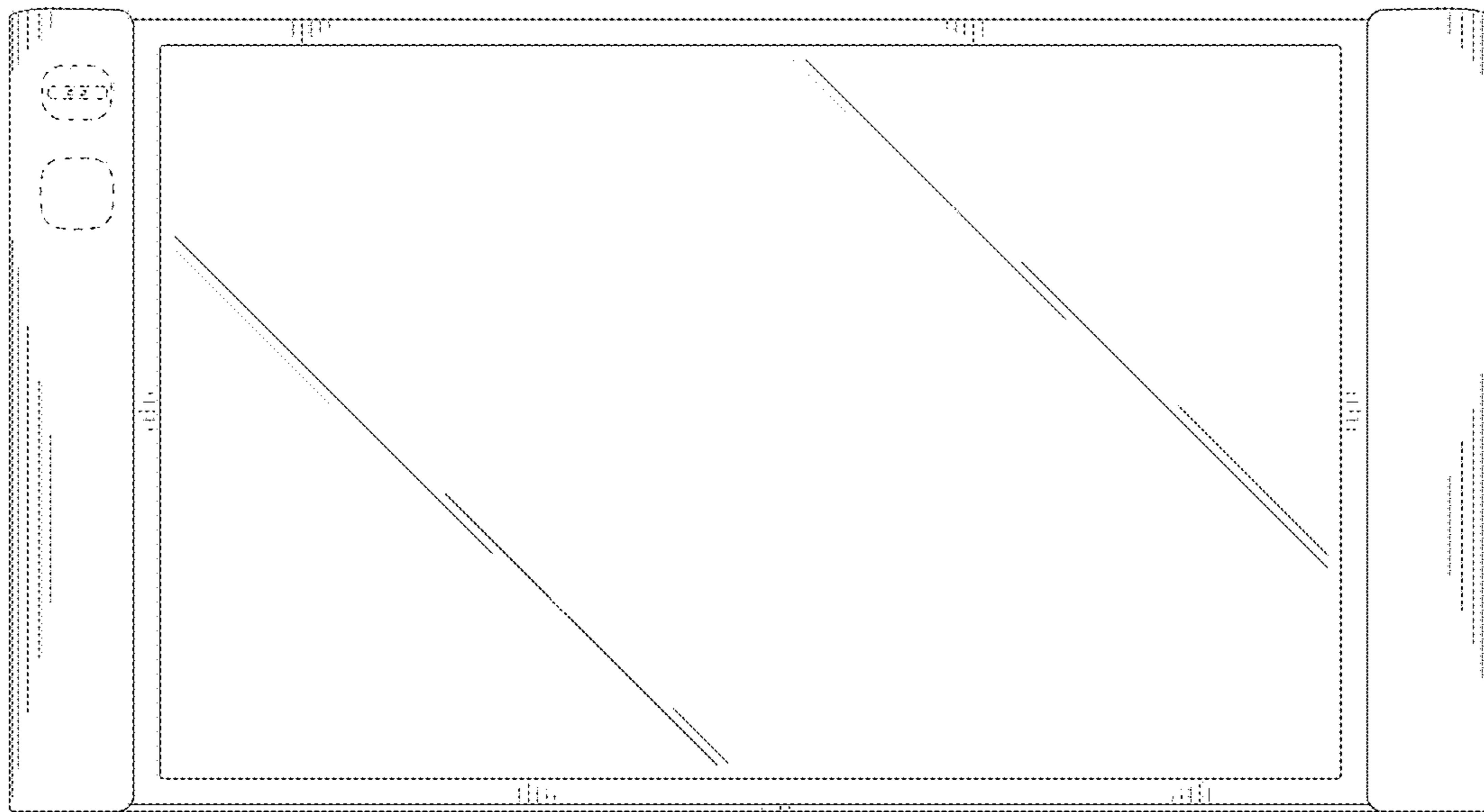


FIG. 3

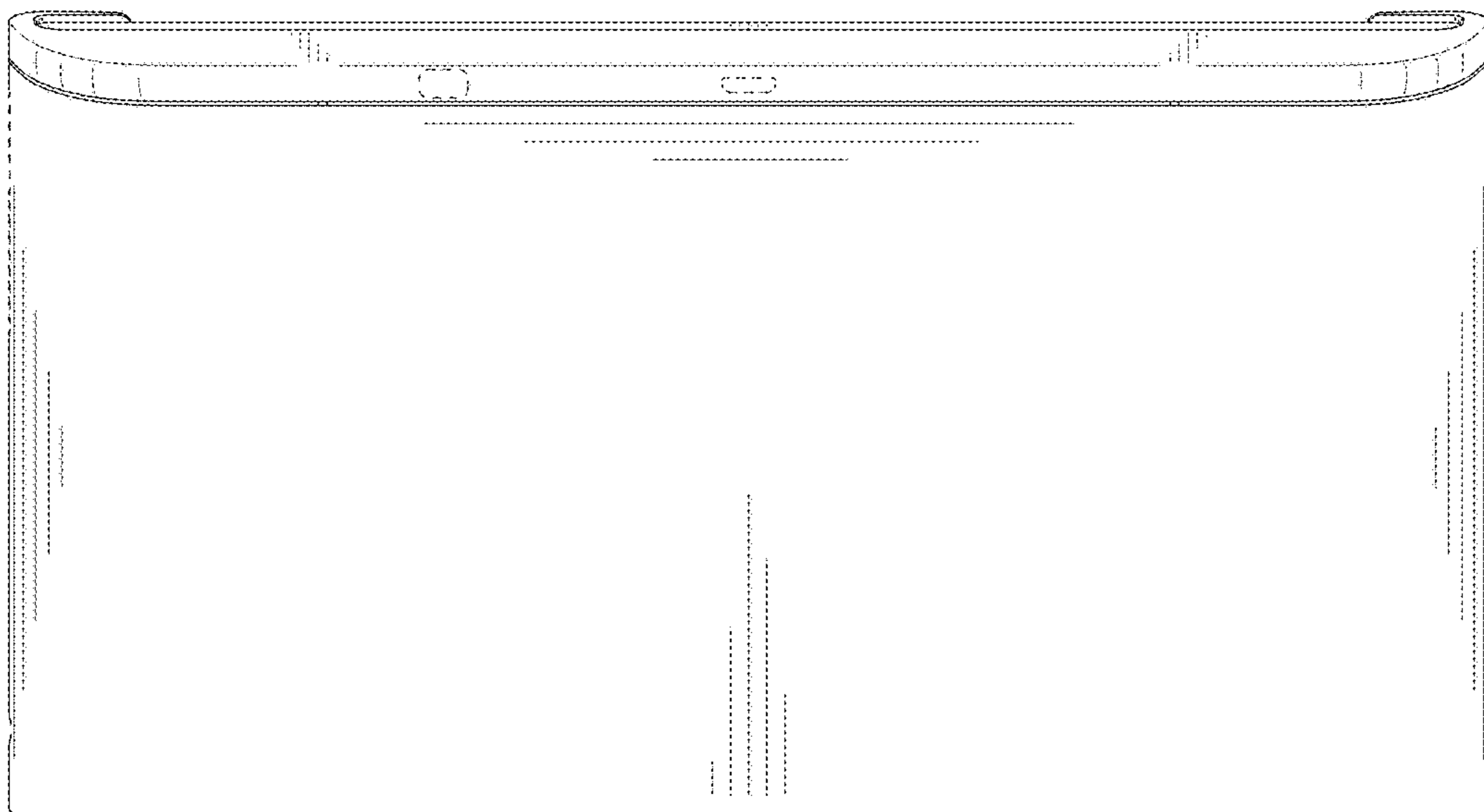


FIG. 4

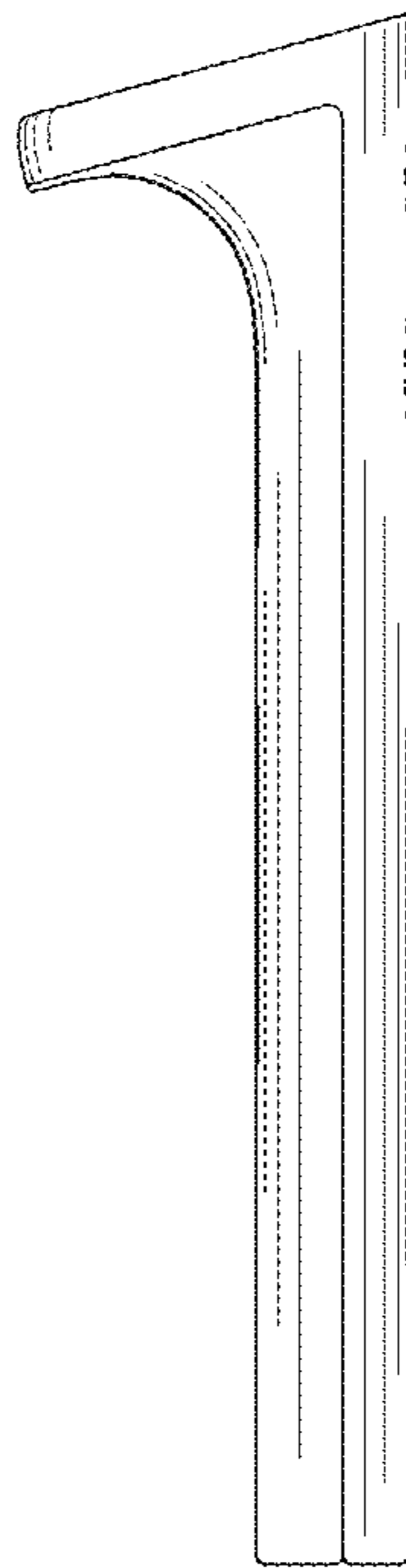


FIG. 5

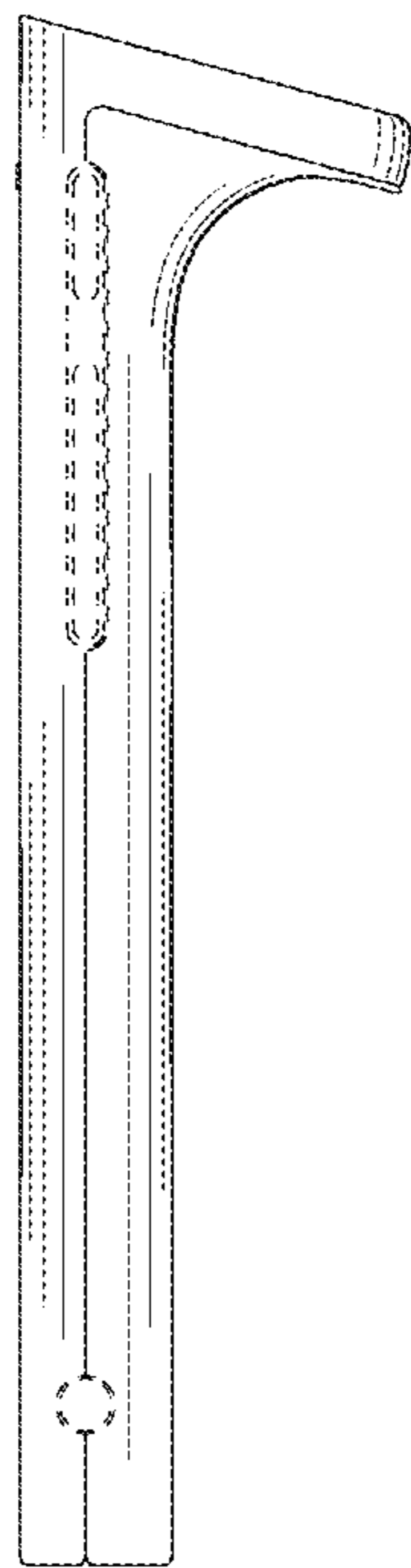


FIG. 6

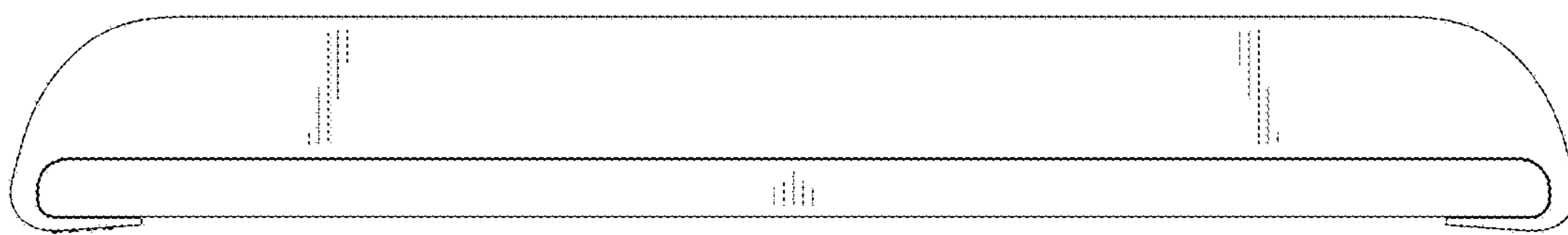


FIG. 7

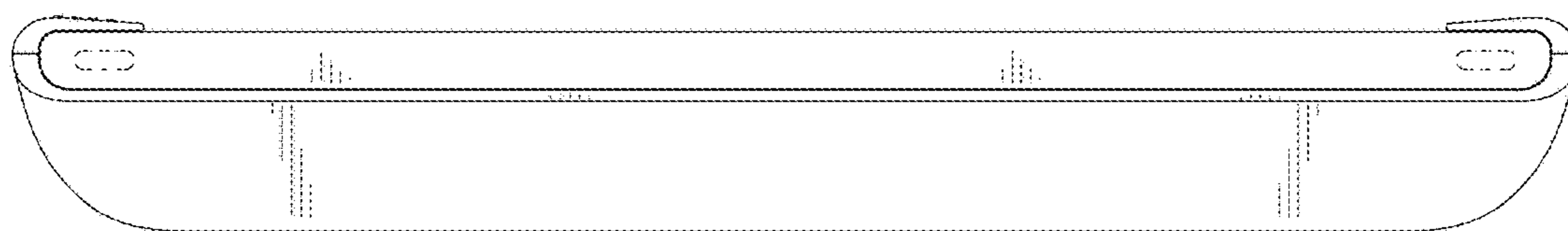




FIG. 8

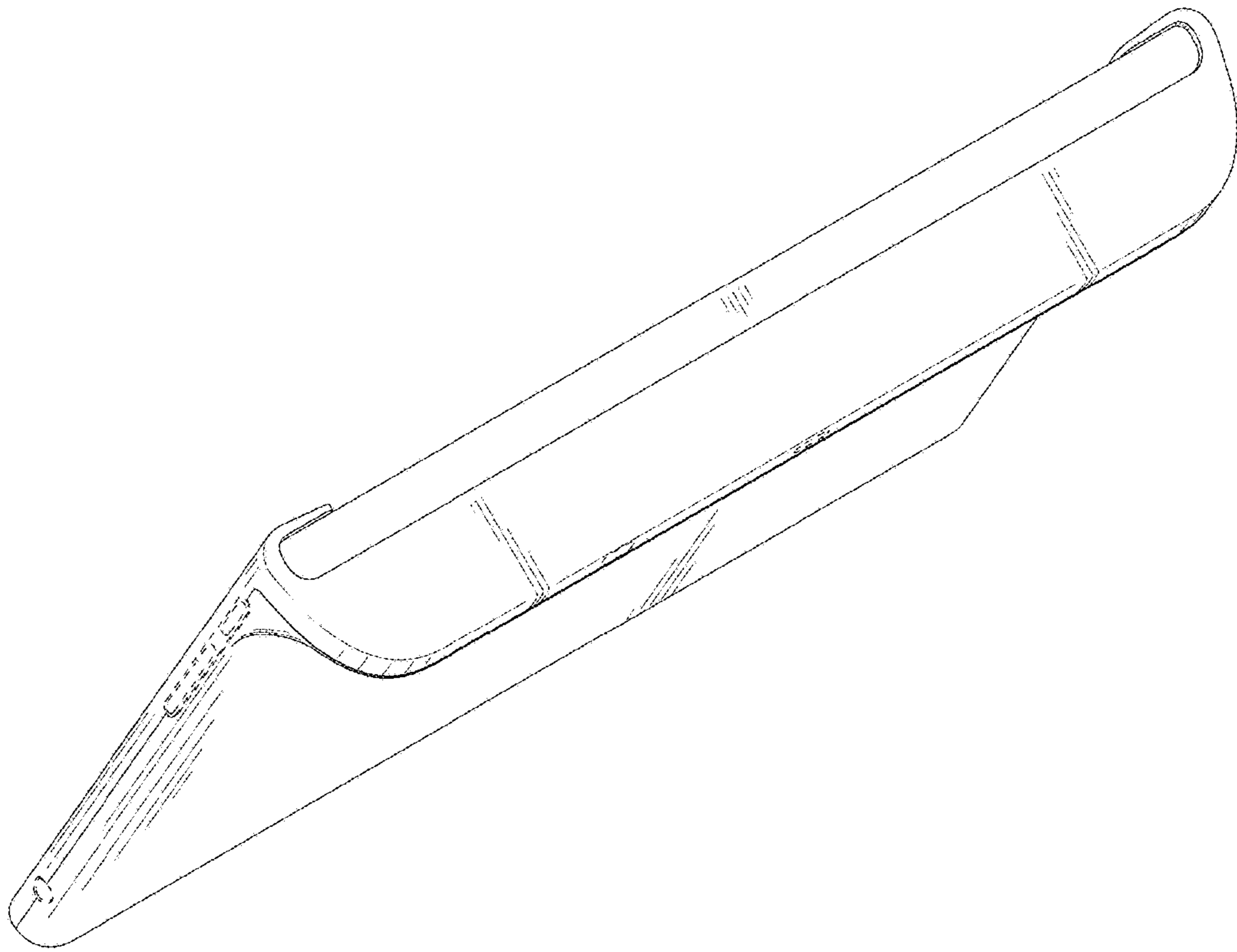


FIG. 9

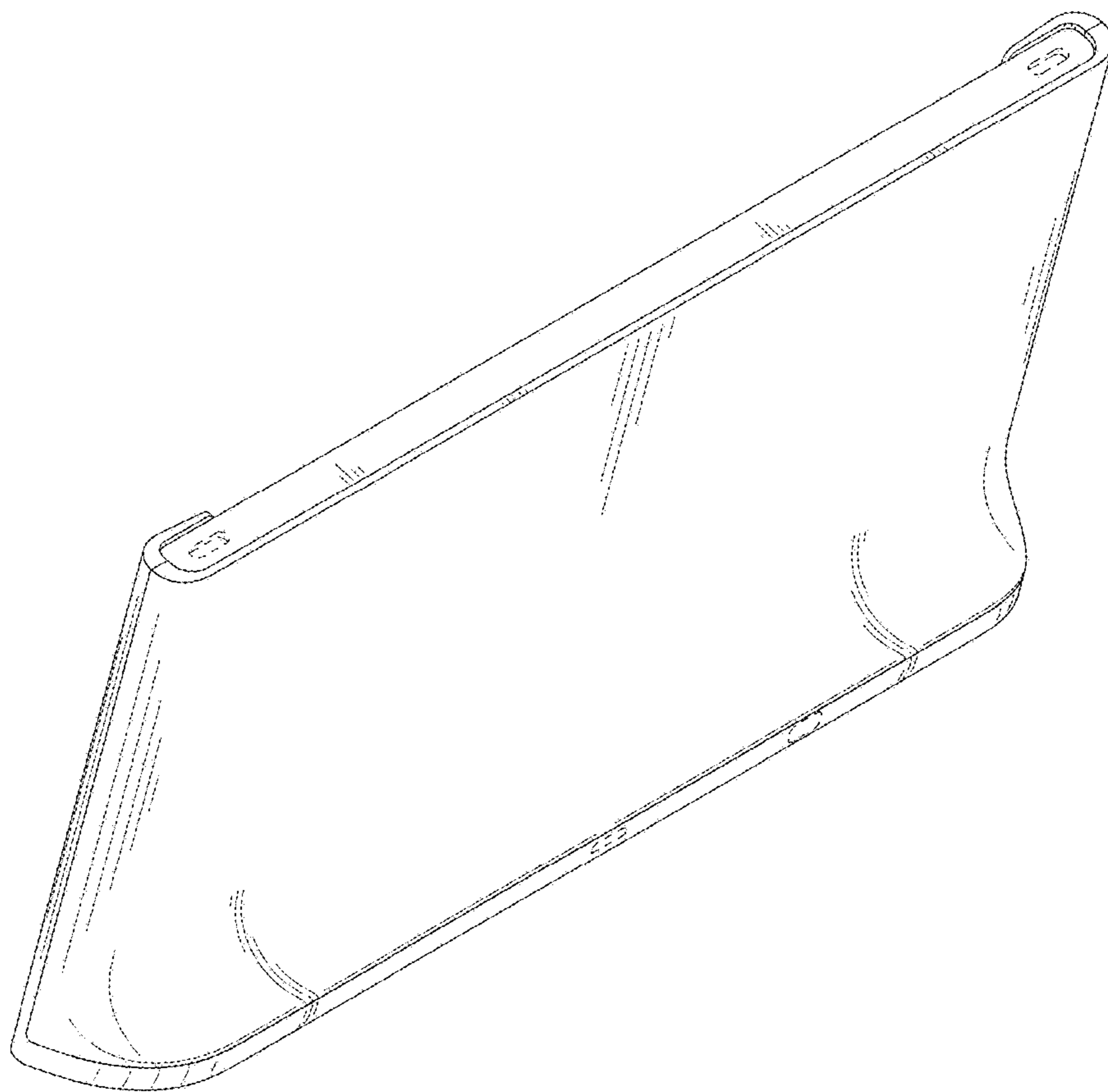


FIG. 10

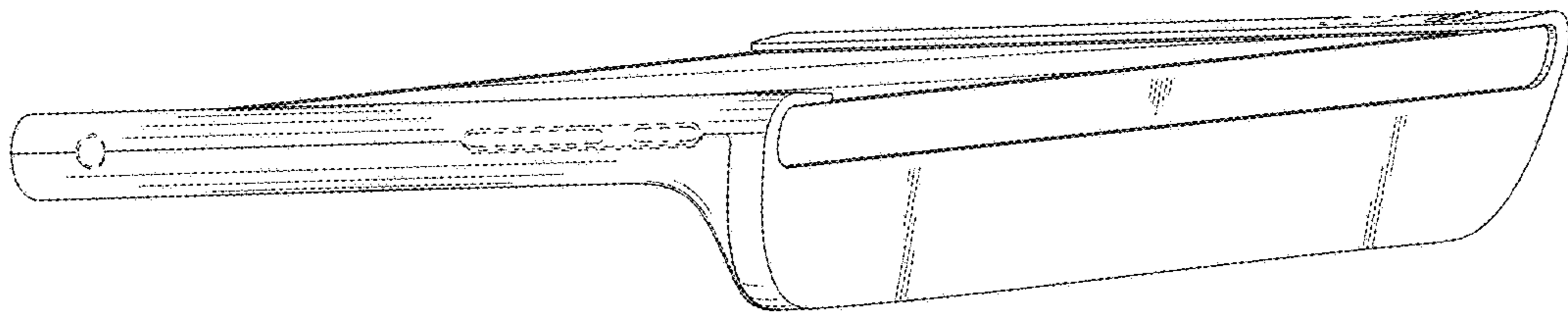


FIG. 11

