



US00D773452S

(12) **United States Design Patent**
Cheah et al.

(10) **Patent No.:** **US D773,452 S**
(45) **Date of Patent:** **** Dec. 6, 2016**

- (54) **ELECTRONIC DEVICE WITH FLEXIBLE HINGE**
- (71) Applicant: **Intel Corporation**, Santa Clara, CA (US)
- (72) Inventors: **Bok Eng Cheah**, Gelugor (MY); **Howe Yin Loo**, Bayan Lepas (MY); **Min Suet Lim**, Bayan Lepas (MY); **Jackson Chung Peng Kong**, Tanjung Tokong (MY); **Poh Tat Oh**, Bayan Lepas (MY)
- (73) Assignee: **Intel Corporation**, Santa Clara, CA (US)
- (**) Term: **15 Years**
- (21) Appl. No.: **29/539,359**
- (22) Filed: **Sep. 14, 2015**
- (51) **LOC (10) Cl.** **14-02**
- (52) **U.S. Cl.**
USPC **D14/315**
- (58) **Field of Classification Search**
USPC D14/315-327; D18/1, 2, 7, 11; 235/145 A, 145 R; 341/22, 23; 345/104, 345/156, 168, 169, 173; 361/679.08, 361/679.09, 679.11, 679.26, 679.27
CPC G06F 1/16; G06F 1/1616; G06F 1/1626; G06F 1/1632; G06F 1/1613; G06F 1/1601; G06F 1/1618; G06F 1/162; G06F 1/166; G06F 1/1654; G06F 1/1681; G06F 1/1637; G06F 1/1688; H01R 35/02; H03M 11/00; G09B 13/04; H03K 17/94; G09G 5/00; F16M 11/10; H05K 5/00; H05K 5/0226; H04M 1/0237; E05D 11/0081; E05D 3/10; E05D 11/082; E05Y 2900/606; Y10T 16/52
See application file for complete search history.

- (56) **References Cited**
U.S. PATENT DOCUMENTS
D705,773 S * 5/2014 Tian D14/316
D708,177 S * 7/2014 Honda D14/316
D717,792 S * 11/2014 Ji D14/316

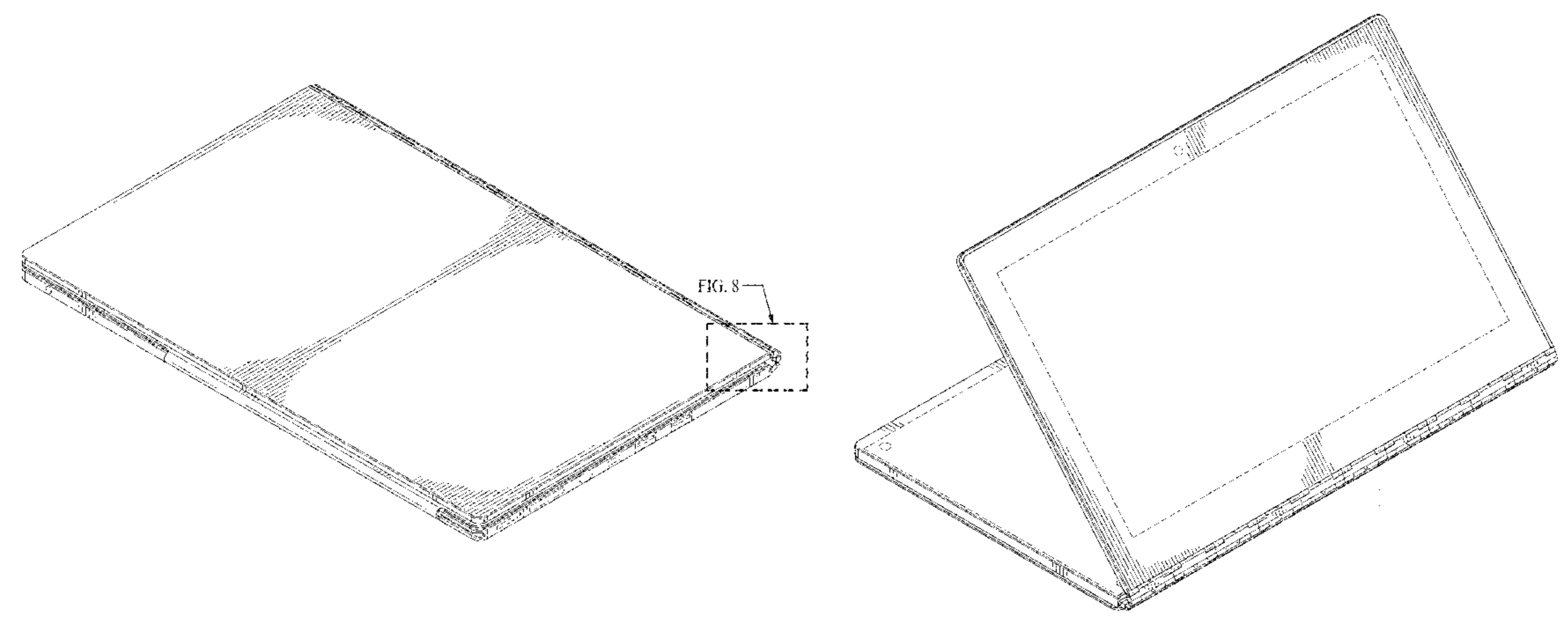
D729,792 S * 5/2015 Kurimoto D14/315
* cited by examiner
Primary Examiner — Freda S Nunn
(74) *Attorney, Agent, or Firm* — Patent Capital Group

(57) **CLAIM**
The ornamental design for an electronic device with flexible hinge, as shown and described.

DESCRIPTION

FIG. 1 is a perspective view illustrating a design for an electronic device with flexible hinge in a closed configuration;
FIG. 2 is a front view thereof;
FIG. 3 is a back view thereof;
FIG. 4 is a side view thereof;
FIG. 5 is another side view thereof;
FIG. 6 is a top view thereof;
FIG. 7 is a bottom view thereof;
FIG. 8 is an enlarged view thereof as indicated in FIG. 1;
FIG. 9 is a perspective view illustrating the design for the electronic device with flexible hinge in an open configuration;
FIG. 10 is a front view thereof;
FIG. 11 is a back view thereof;
FIG. 12 is a side view thereof;
FIG. 13 is another side view thereof;
FIG. 14 is a top view thereof;
FIG. 15 is a bottom view thereof;
FIG. 16 is an enlarged view thereof as indicated in FIG. 9;
FIG. 17 is a perspective view illustrating the design for the electronic device with flexible hinge in a flat configuration; and,
FIG. 18 is a perspective view illustrating the design for the electronic device with flexible hinge in a standing tablet configuration.
The broken lines and the unshaded regions bounded by broken lines form no part of the claimed design.

1 Claim, 16 Drawing Sheets



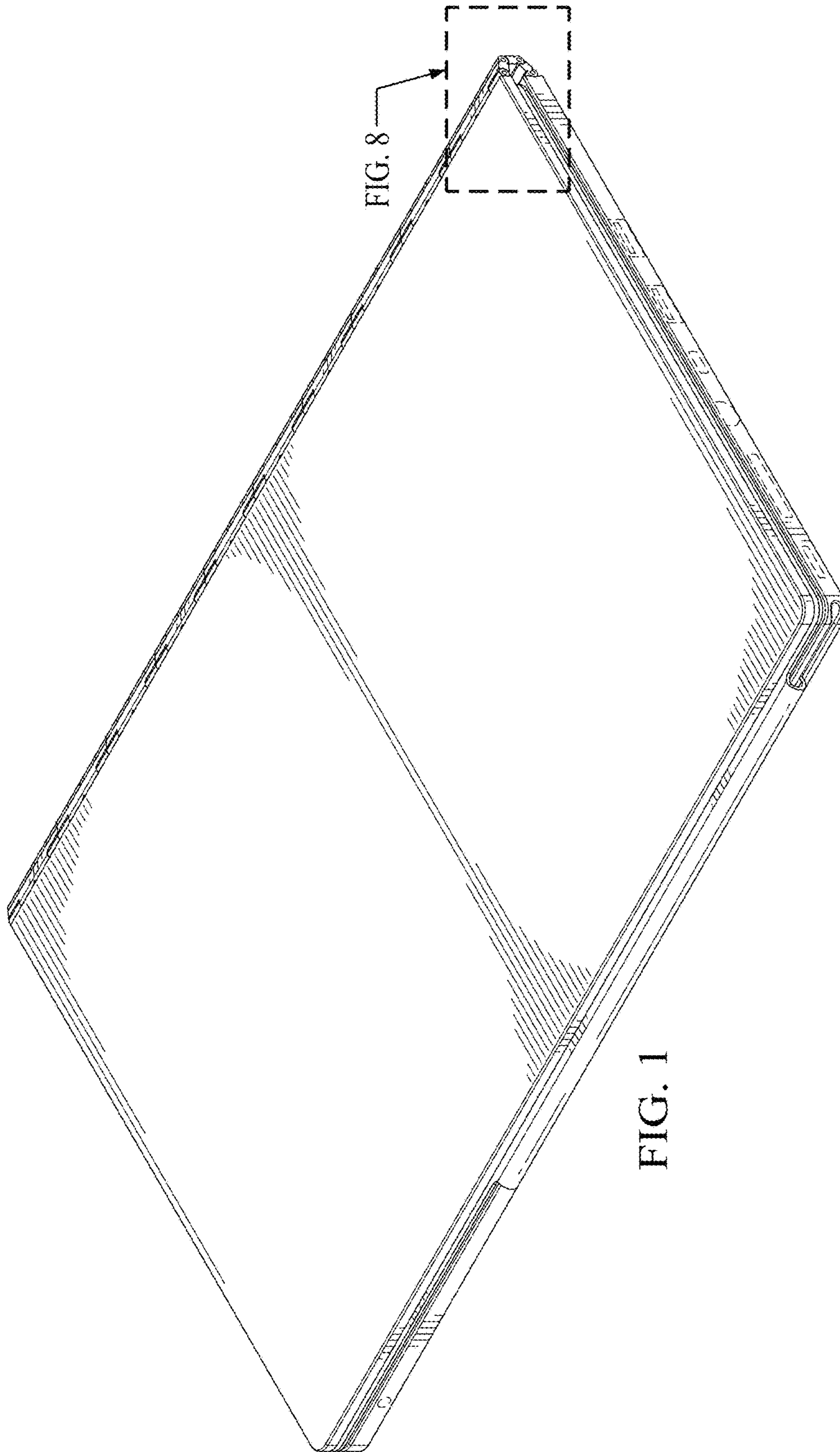


FIG. 8

FIG. 1

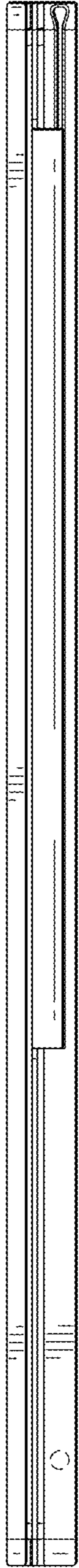


FIG. 2

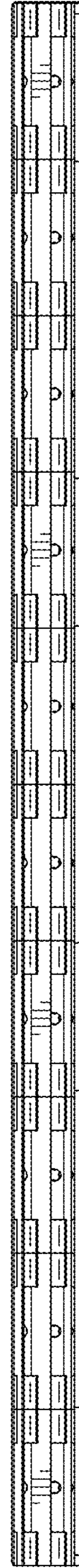


FIG. 3

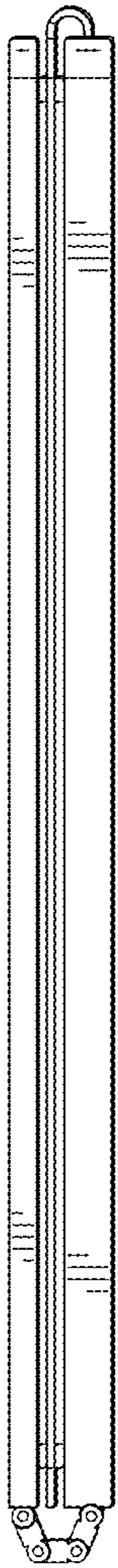


FIG. 4



FIG. 5

ELECTRONIC DEVICE WITH FLEXIBLE HINGE
FILING DATE: SEPTEMBER 14, 2015
INVENTORS: BOK ENG CHEAH, ET AL.
ATTORNEY DOCKET NO. P82760DS

4/16

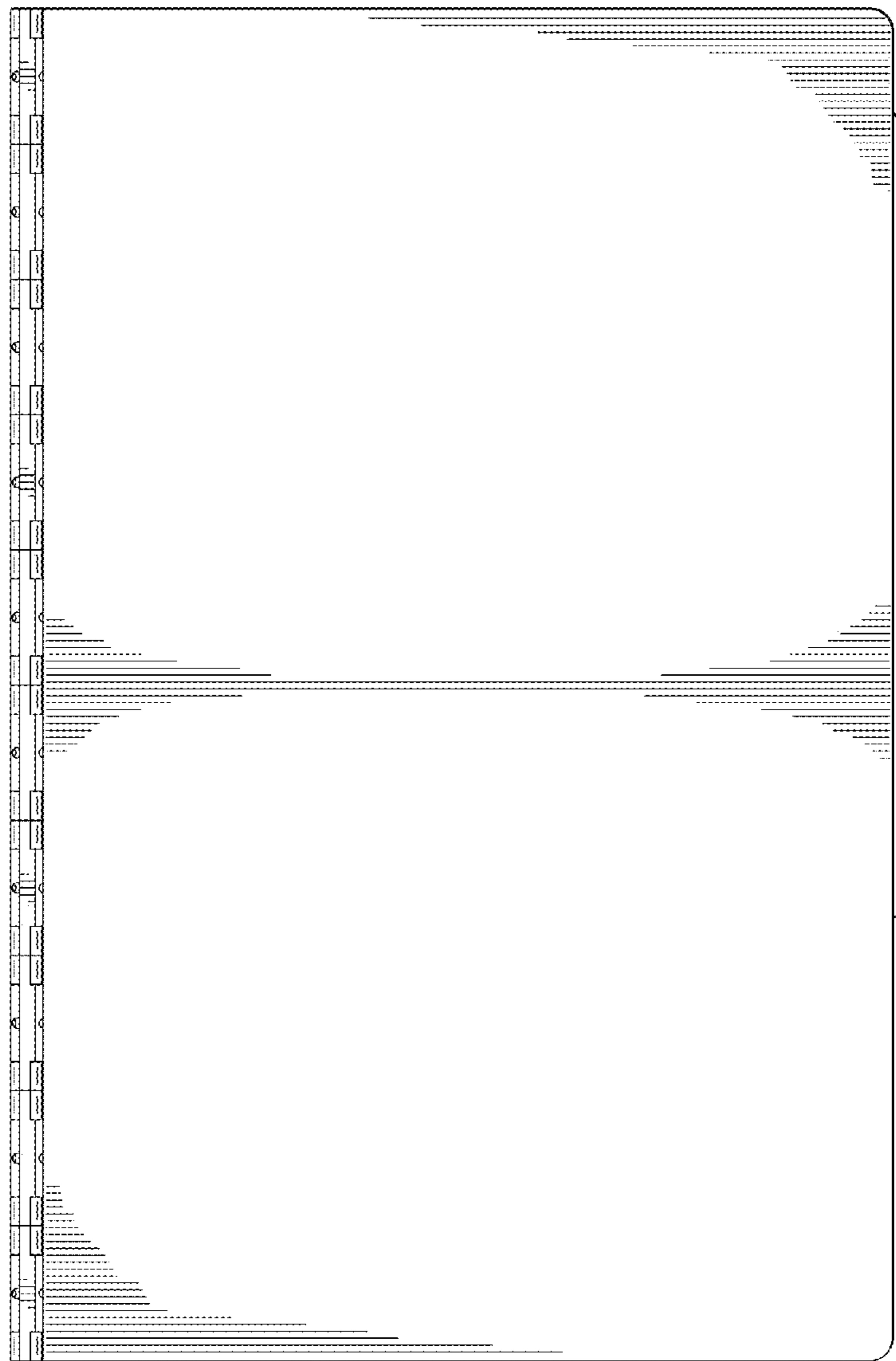


FIG. 6

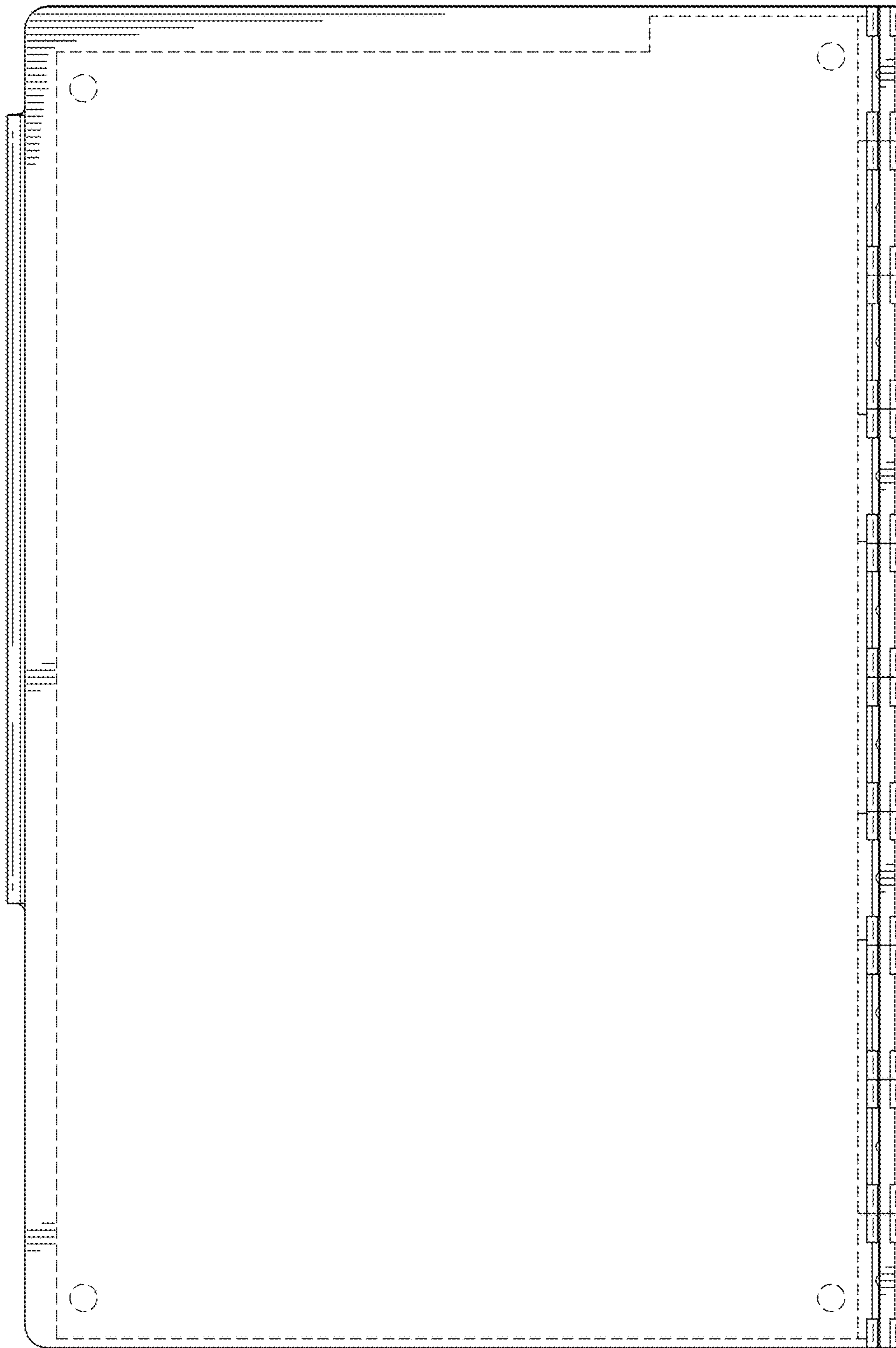


FIG. 7

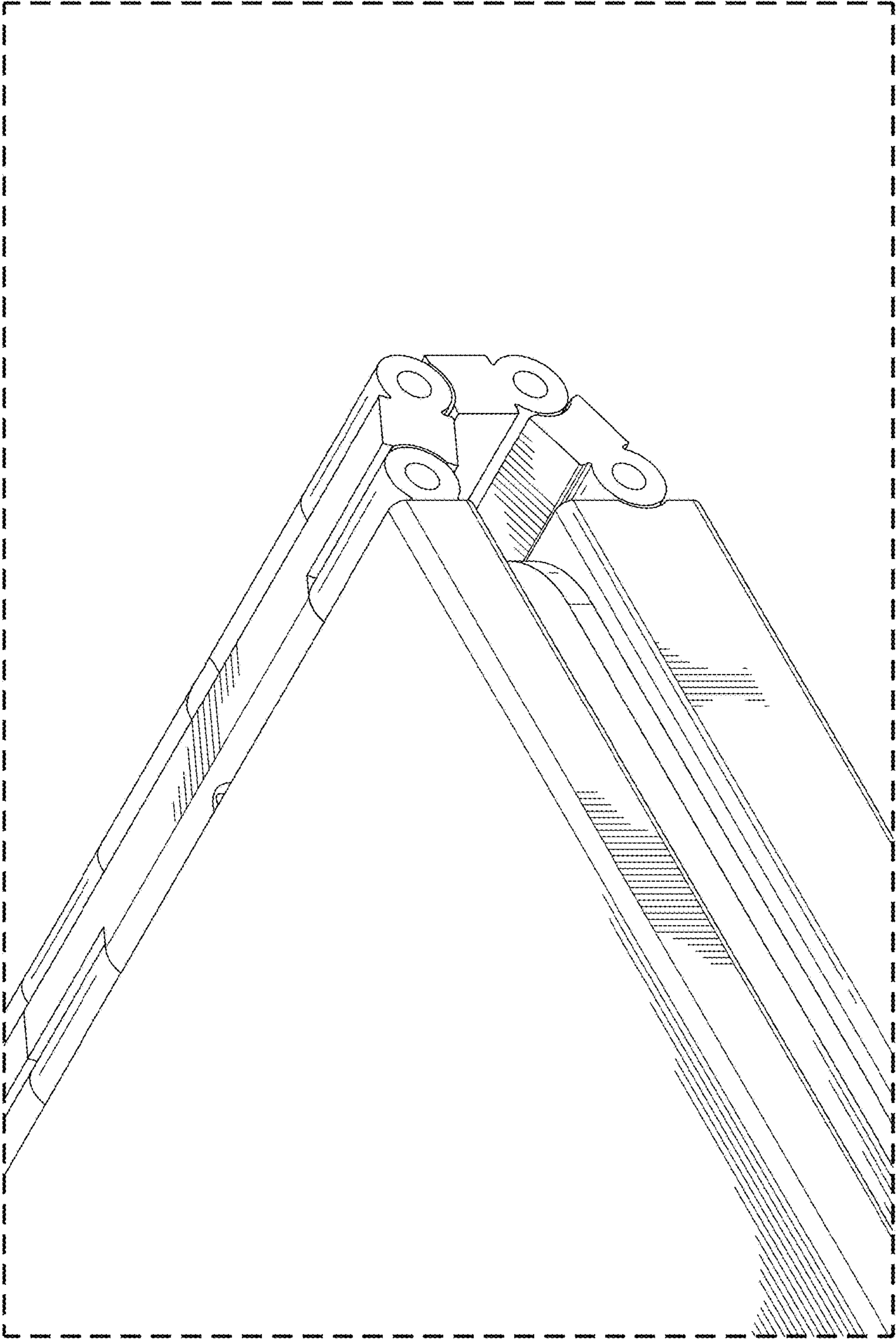
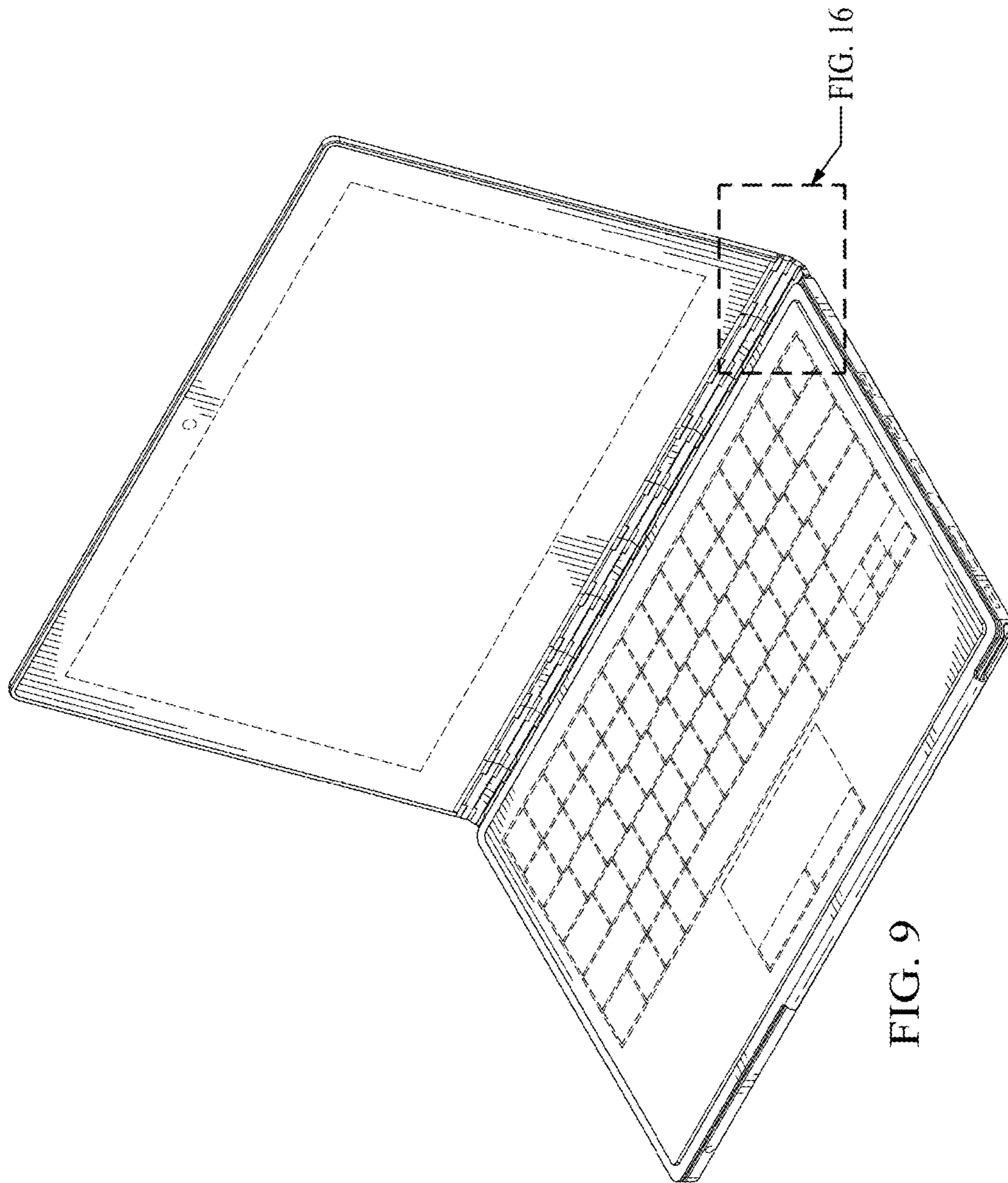


FIG. 8



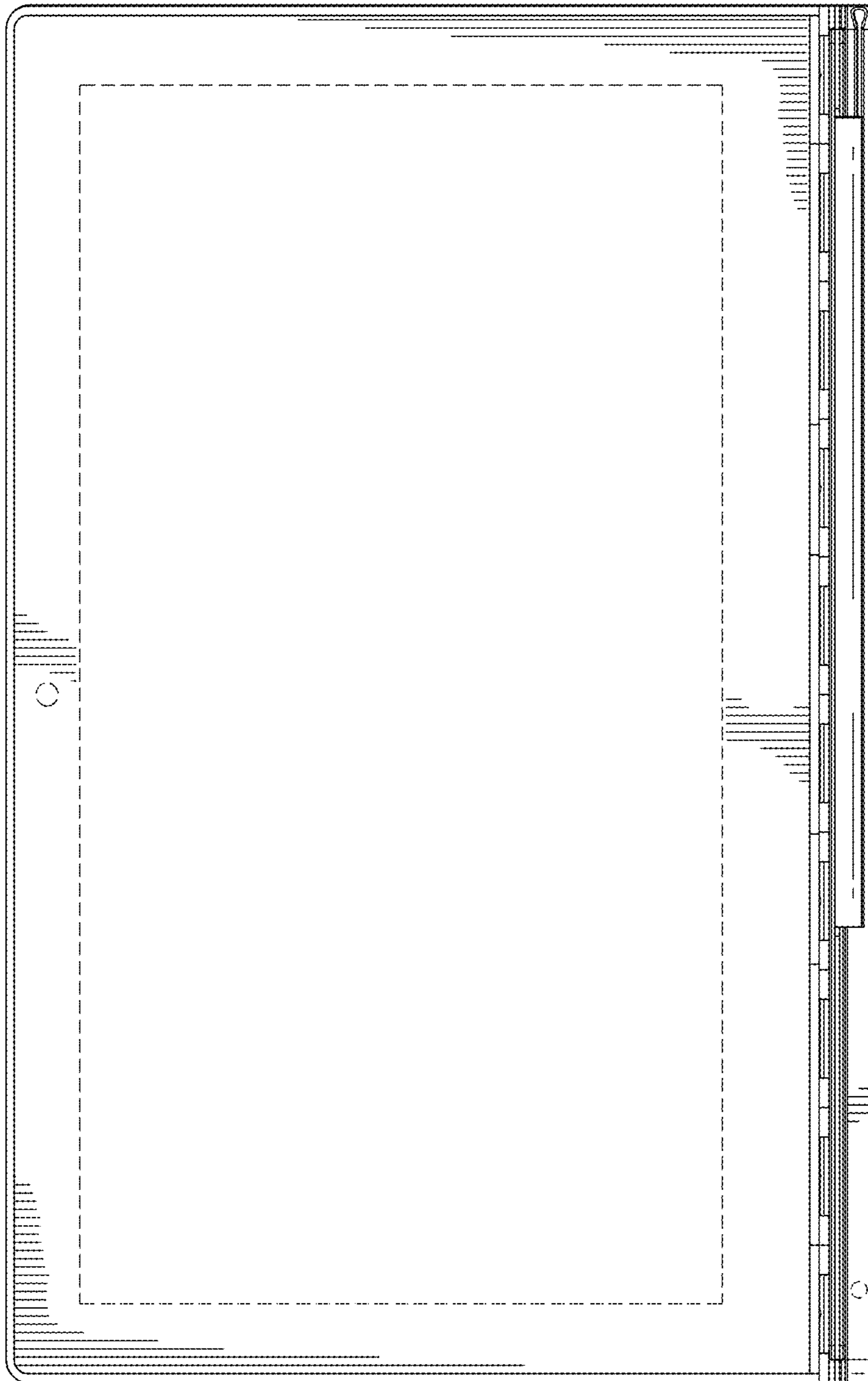


FIG. 10

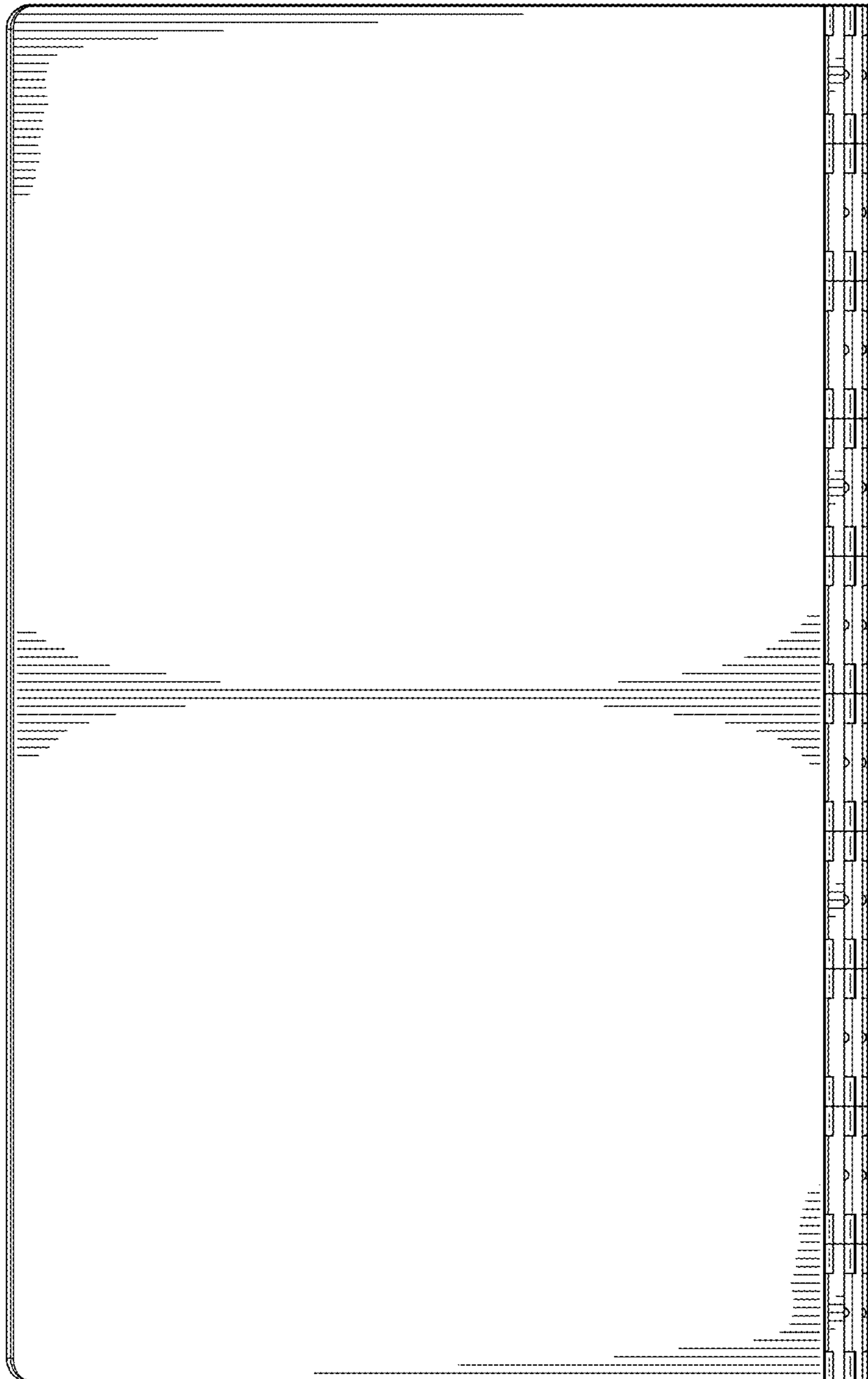


FIG. 11

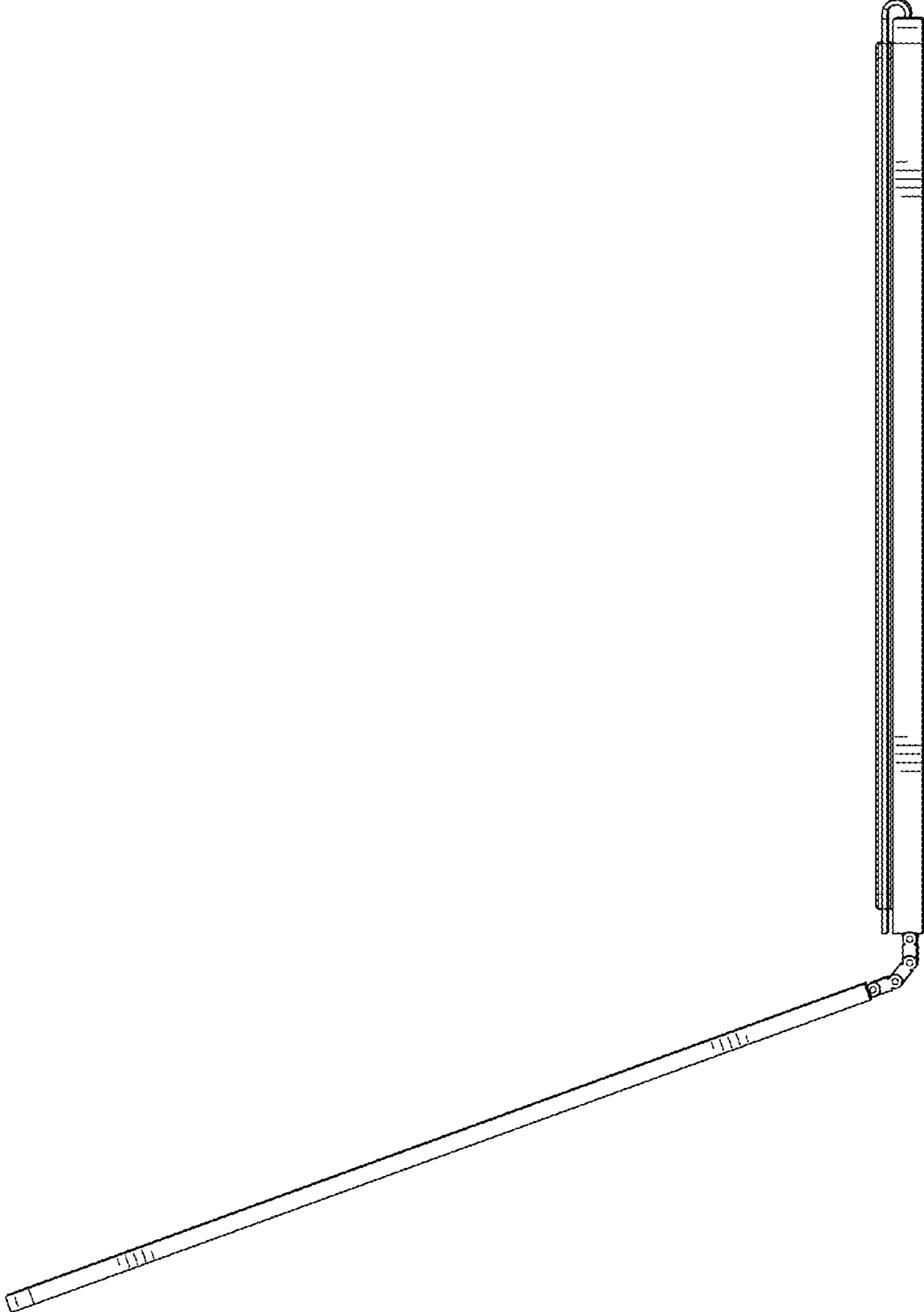


FIG. 12

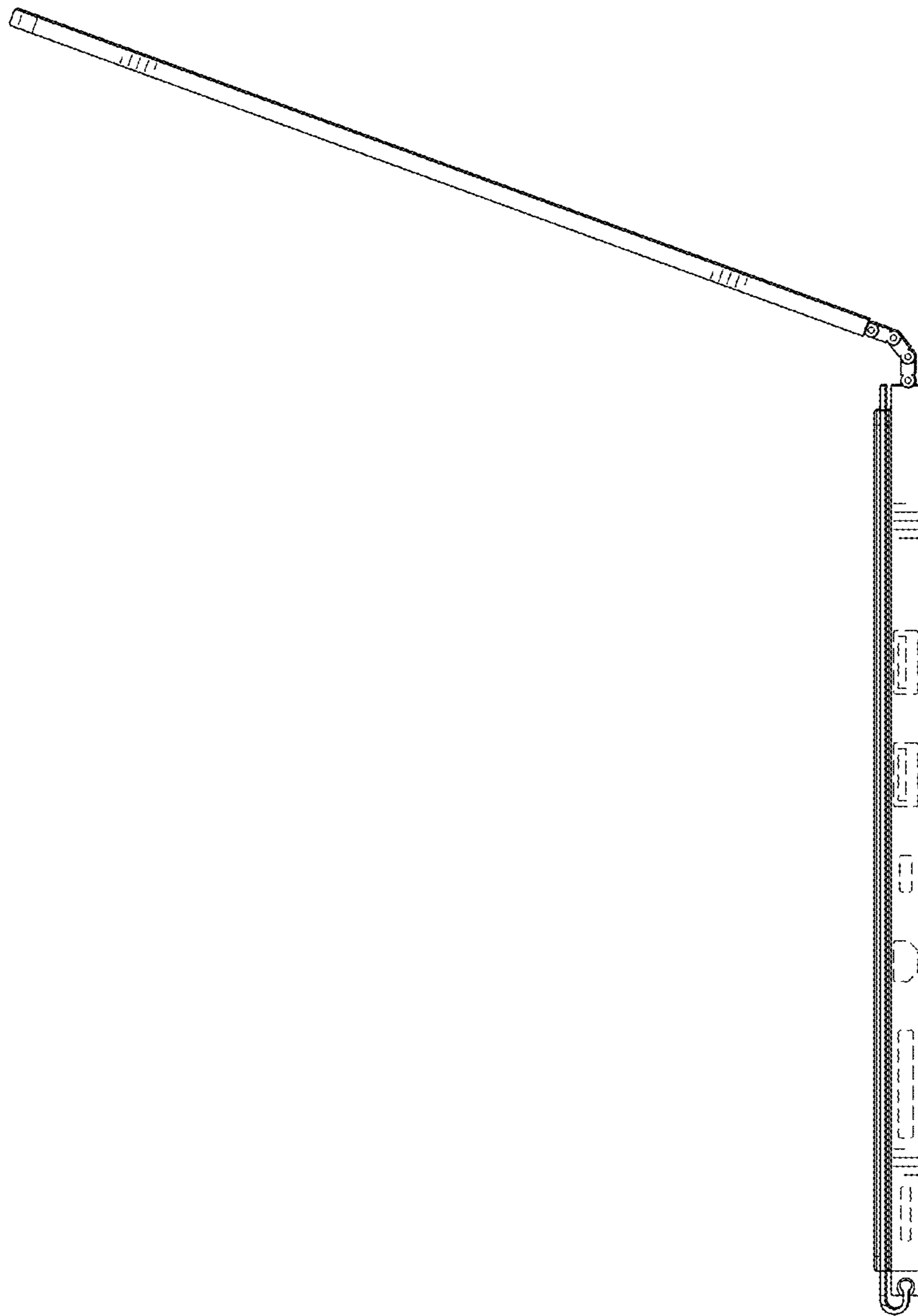


FIG. 13

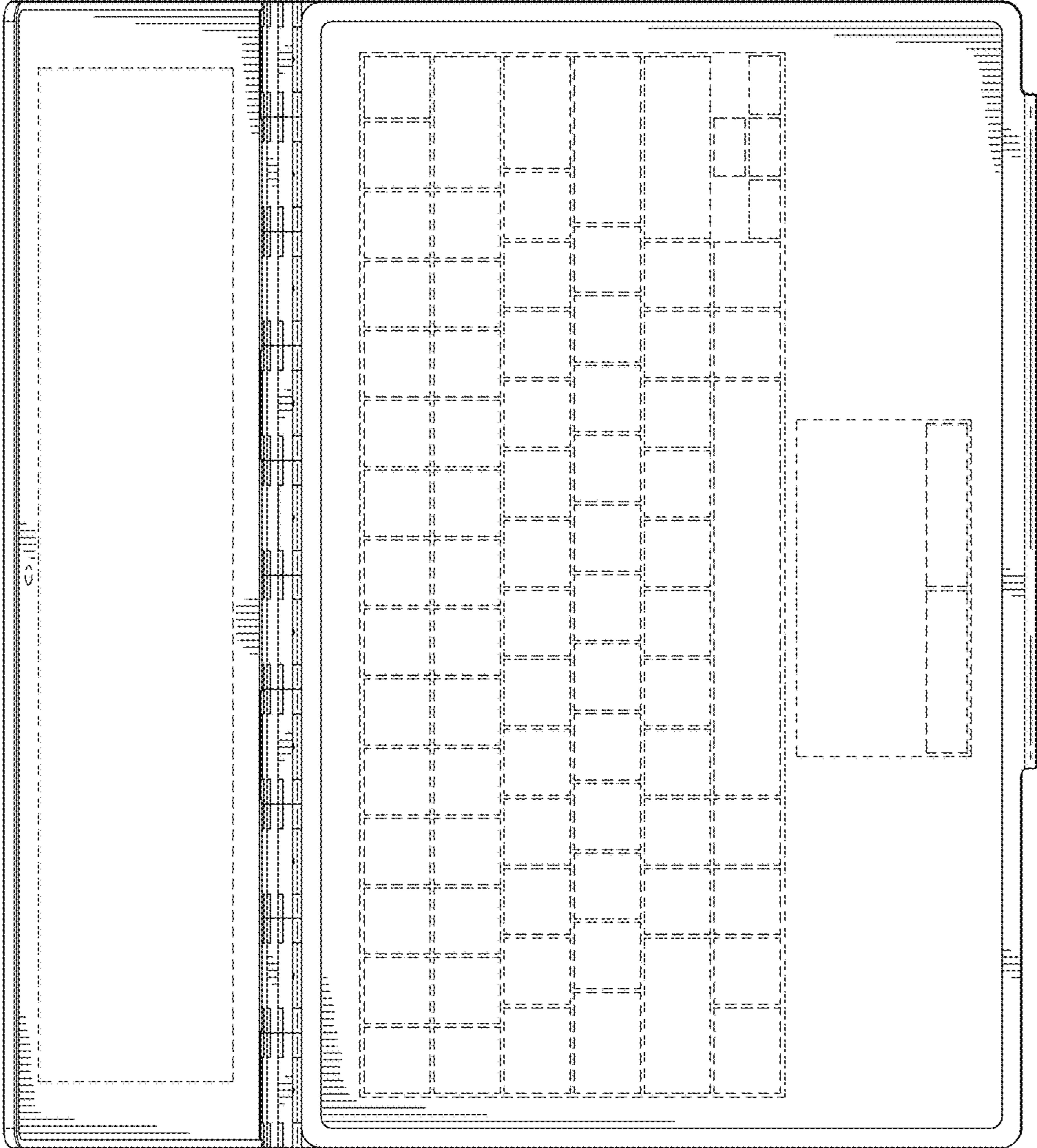


FIG. 14

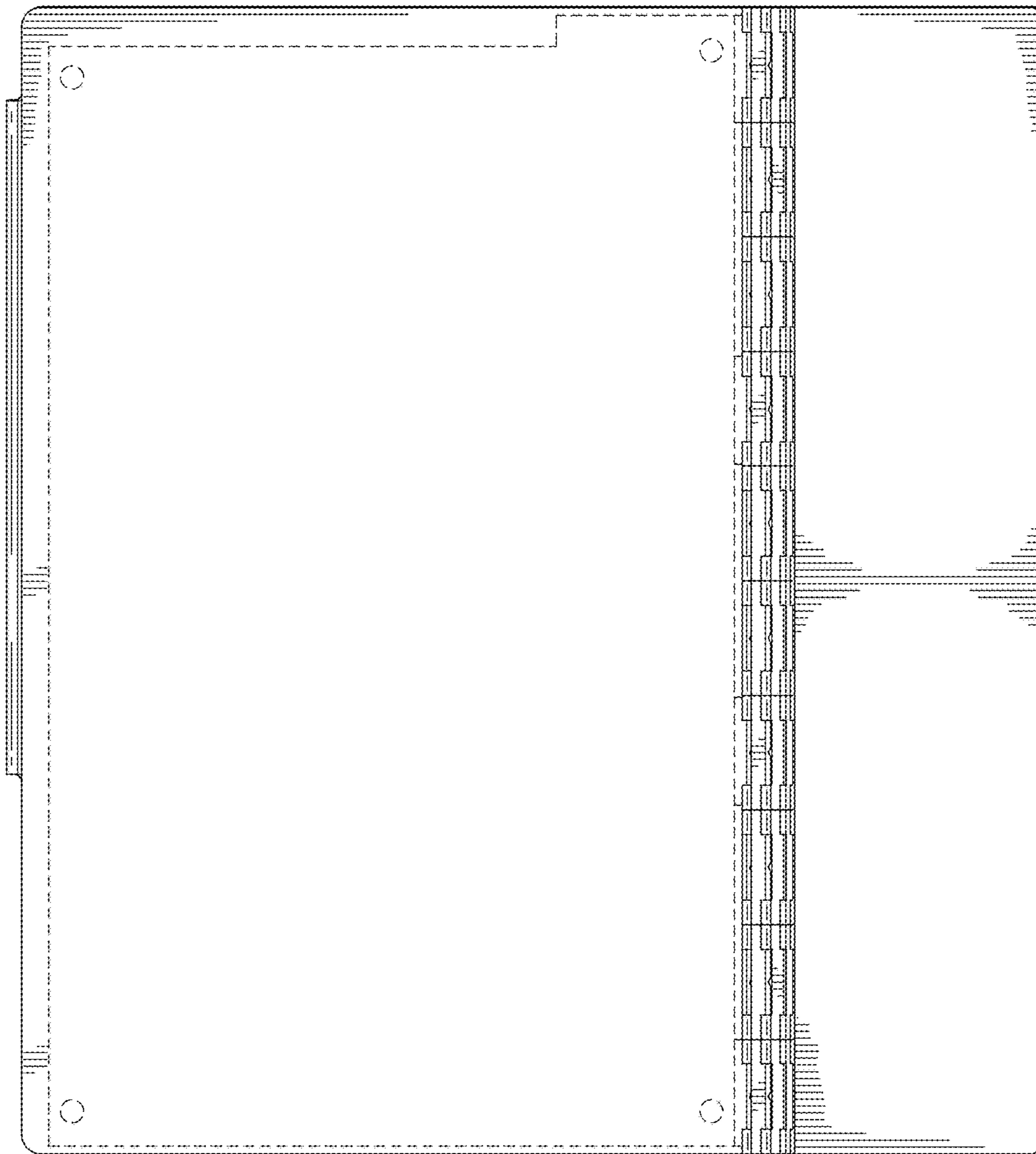


FIG. 15

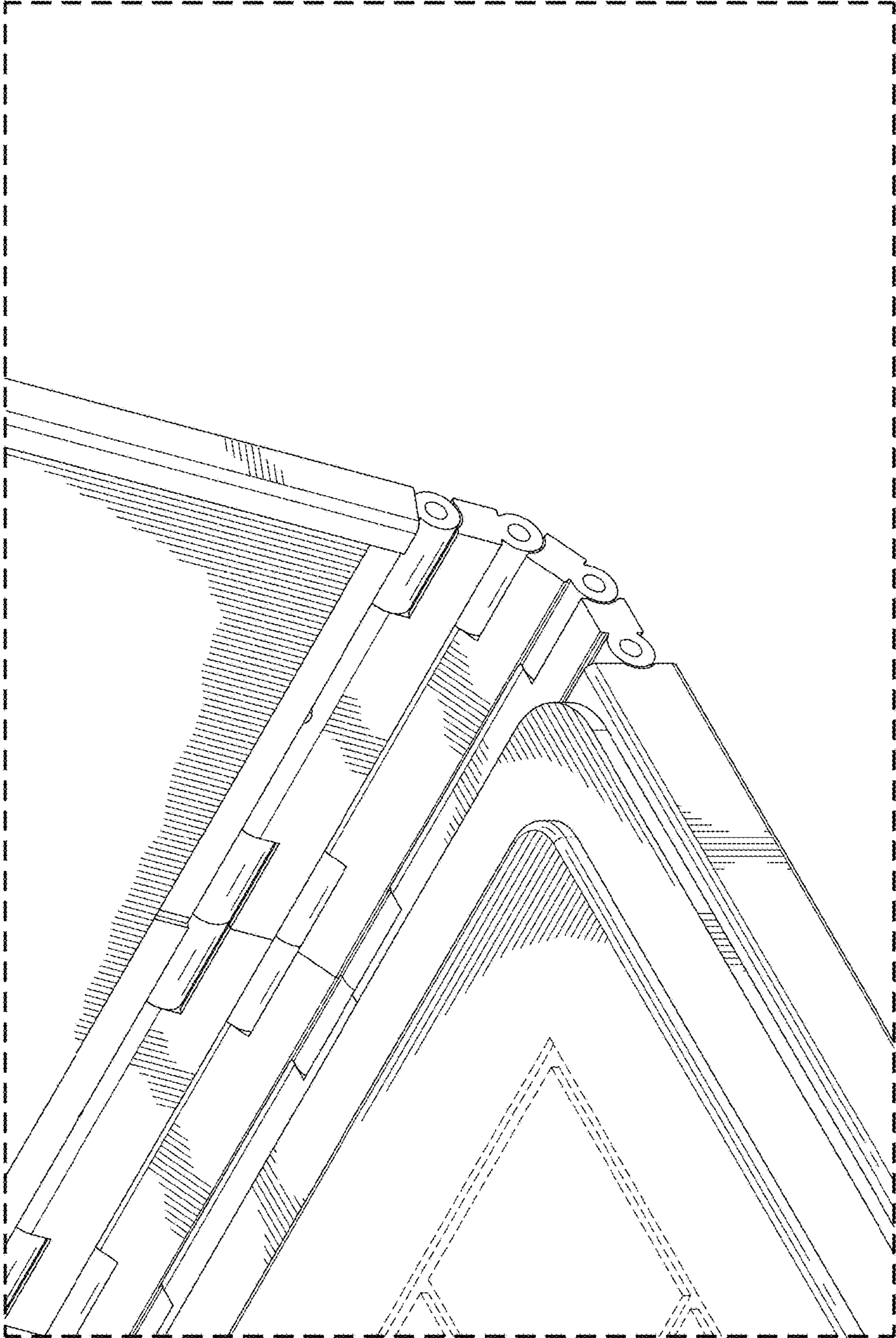


FIG. 16

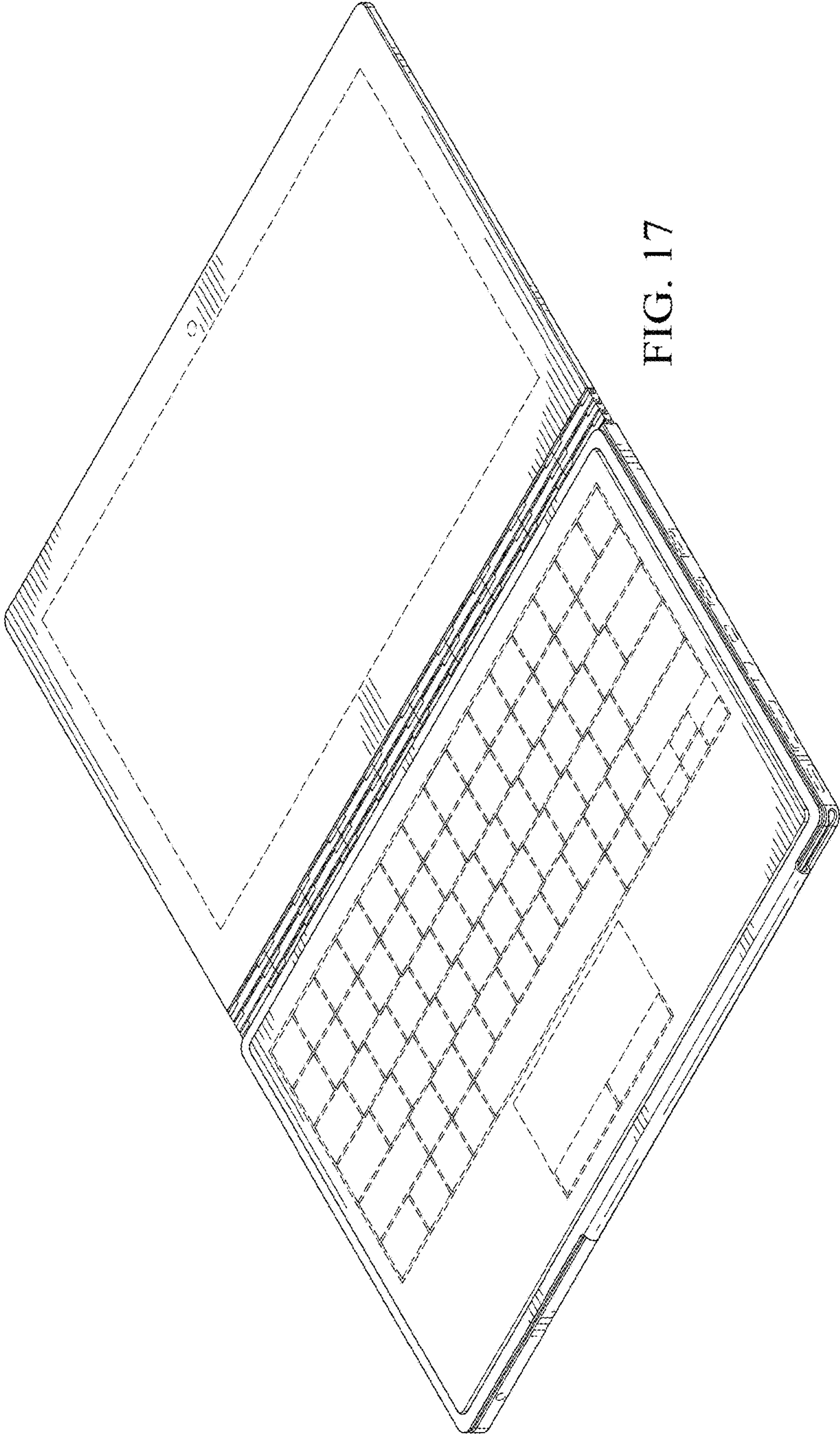


FIG. 17

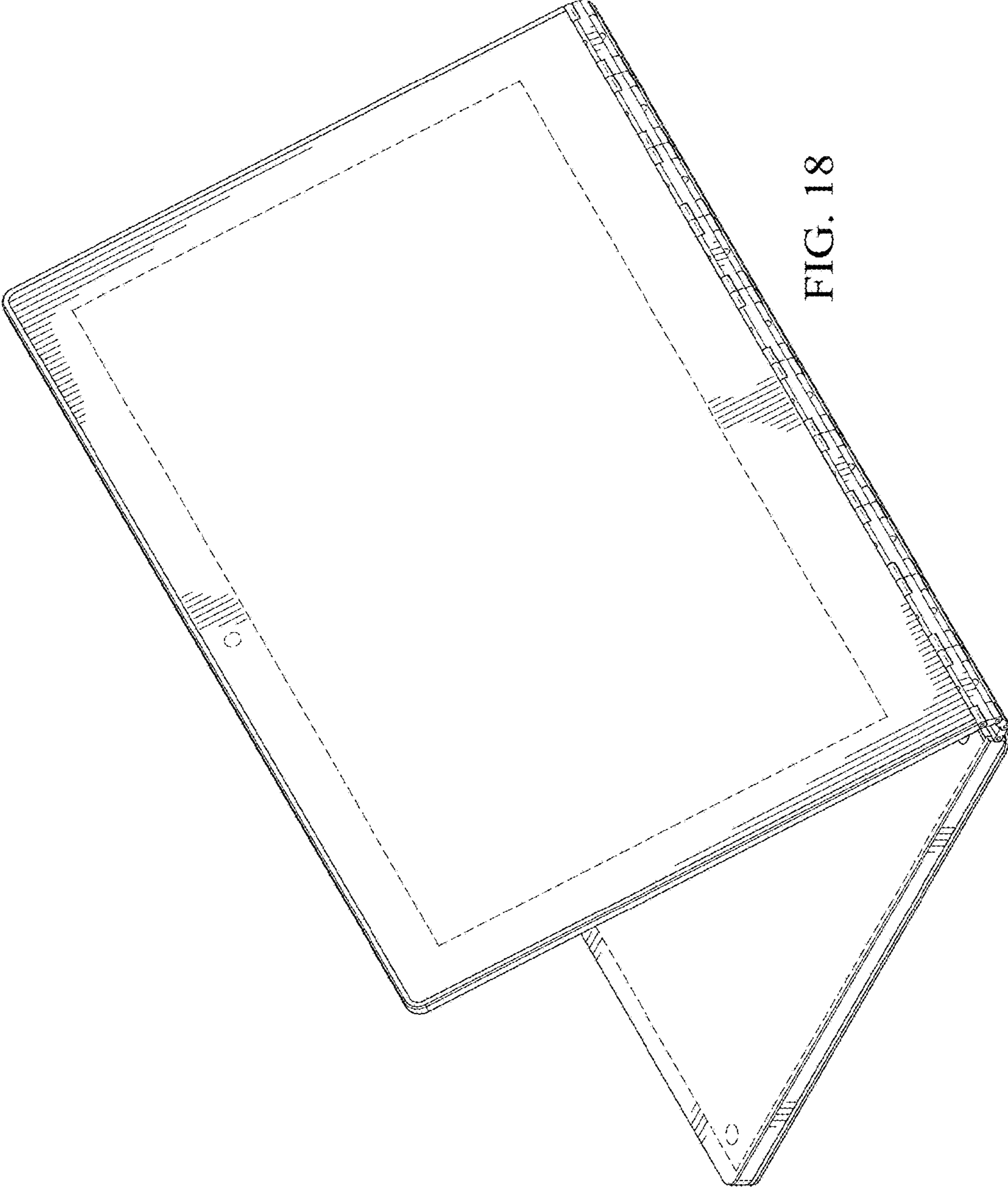


FIG. 18