



US00D773450S

(12) **United States Design Patent** (10) **Patent No.:** **US D773,450 S**
Ent et al. (45) **Date of Patent:** **** Dec. 6, 2016**

(54) **SERVER UNIT PLENUM**

(71) Applicant: **Lenovo (Singapore) Pte. Ltd.,**
Singapore (SG)

(72) Inventors: **Ali Kathryn Ent**, Garner, NC (US);
David W. Hill, Cary, NC (US); **John**
David Swansey, Durham, NC (US);
Gerard Francis Muenkel, Raleigh, NC
(US)

(73) Assignee: **Lenovo (Singapore) Pte. Ltd.**

(**) Term: **14 Years**

(21) Appl. No.: **29/499,059**

(22) Filed: **Aug. 11, 2014**

(51) **LOC (10) Cl.** **14-02**

(52) **U.S. Cl.**
USPC **D14/301**

(58) **Field of Classification Search**
USPC D14/240, 300, 301, 308, 313,
314, D14/348-356, 364-368, 441-446;
D13/162, D13/184, 199; 312/223.1-223.3,
351.11; 360/99.01-99.12;
369/34.01-36.01; 361/679.31-679.33,
679.37, 679.39, 361/679.46, 679.53,
679.4, 679.41, 727
CPC G06F 1/20; G06F 1/181; G06F 1/187;
G06F 1/184; H05K 7/16; H05K 7/1424;
H05K 7/20145; H05H 7/20
See application file for complete search history.

(56) **References Cited**

U.S. PATENT DOCUMENTS

D435,559 S * 12/2000 Tanaka D14/444
6,549,398 B2 * 4/2003 Chen G06F 1/184
312/223.1

D481,385 S * 10/2003 Tanaka D14/308
D626,955 S * 11/2010 Brusca D14/301
D635,563 S * 4/2011 Brusca D14/301
D690,706 S * 10/2013 Mueller D14/441
D693,336 S * 11/2013 Youens D14/300
D707,224 S * 6/2014 Bae D14/349
2015/0277518 A1 10/2015 Farrow et al.

OTHER PUBLICATIONS

U.S. Appl. No. 14/229,887, filed Mar. 29, 2014.
Harmon, TweakTown, "Lenovo ThinkStation P900 Workstation
Review—Specifications and Layout", Servers in IT/Datacenter,
Posted: Mar. 19, 2015 8:09 PM, <http://www.tweaktown.com/reviews/7035/lenovo-thinkstation-p900-workstation-review/index2.html> (9 pages).

* cited by examiner

Primary Examiner — Freda S Nunn

(74) *Attorney, Agent, or Firm* — Brian J. Pangrle

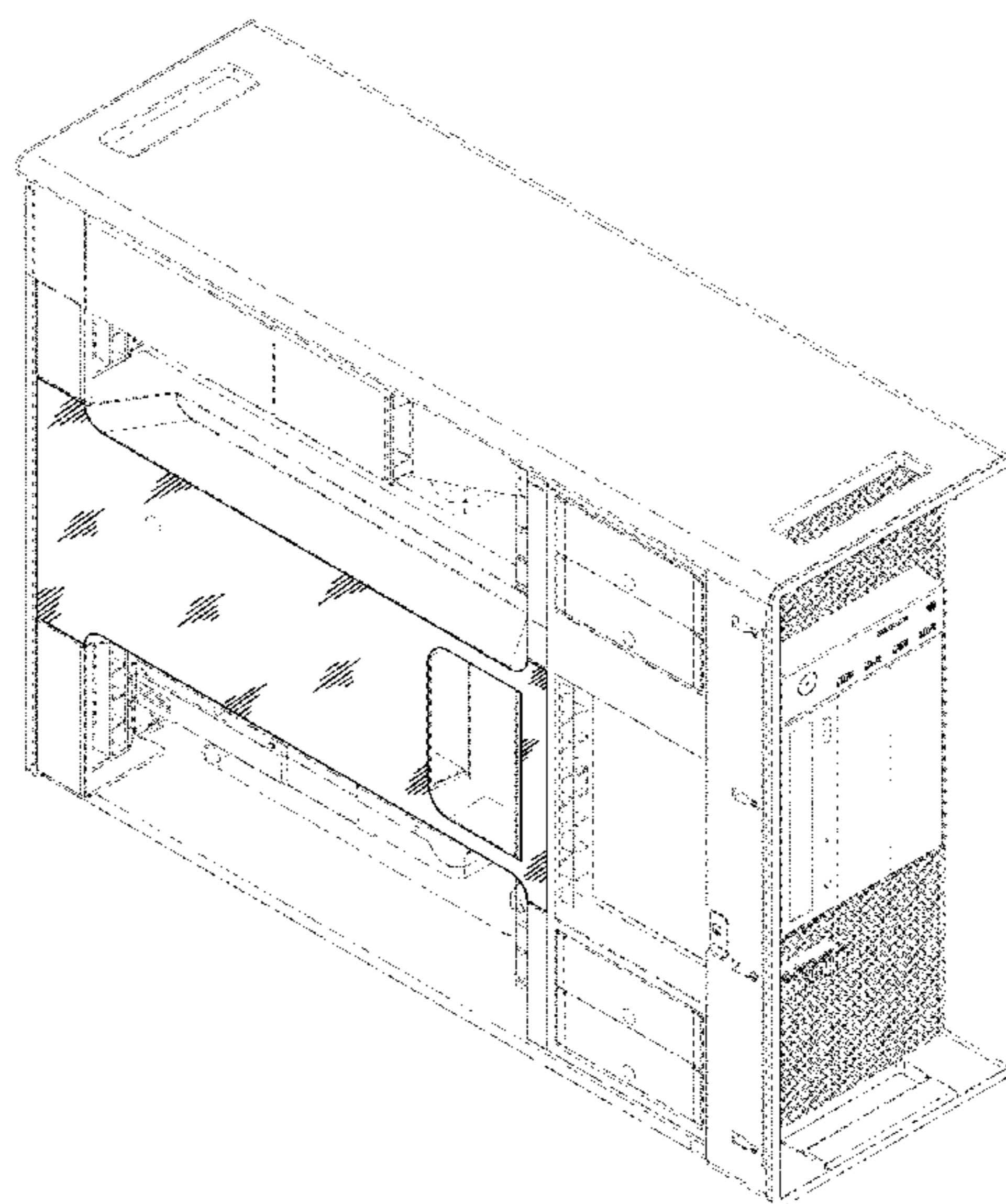
(57) **CLAIM**

The ornamental design for a server unit plenum, as shown and described.

DESCRIPTION

FIG. 1 is a side view of a server unit with a server unit plenum showing our design;
FIG. 2 is a perspective view thereof;
FIG. 3 is a plan view of the server unit plenum;
FIG. 4 is a side view thereof;
FIG. 5 is a first end view thereof;
FIG. 6 is a second end view thereof; and,
FIG. 7 is a perspective view thereof.
The broken lines in the drawings illustrate portions of the server unit, or the server unit plenum, or environment and form no part of the claimed design.

1 Claim, 7 Drawing Sheets



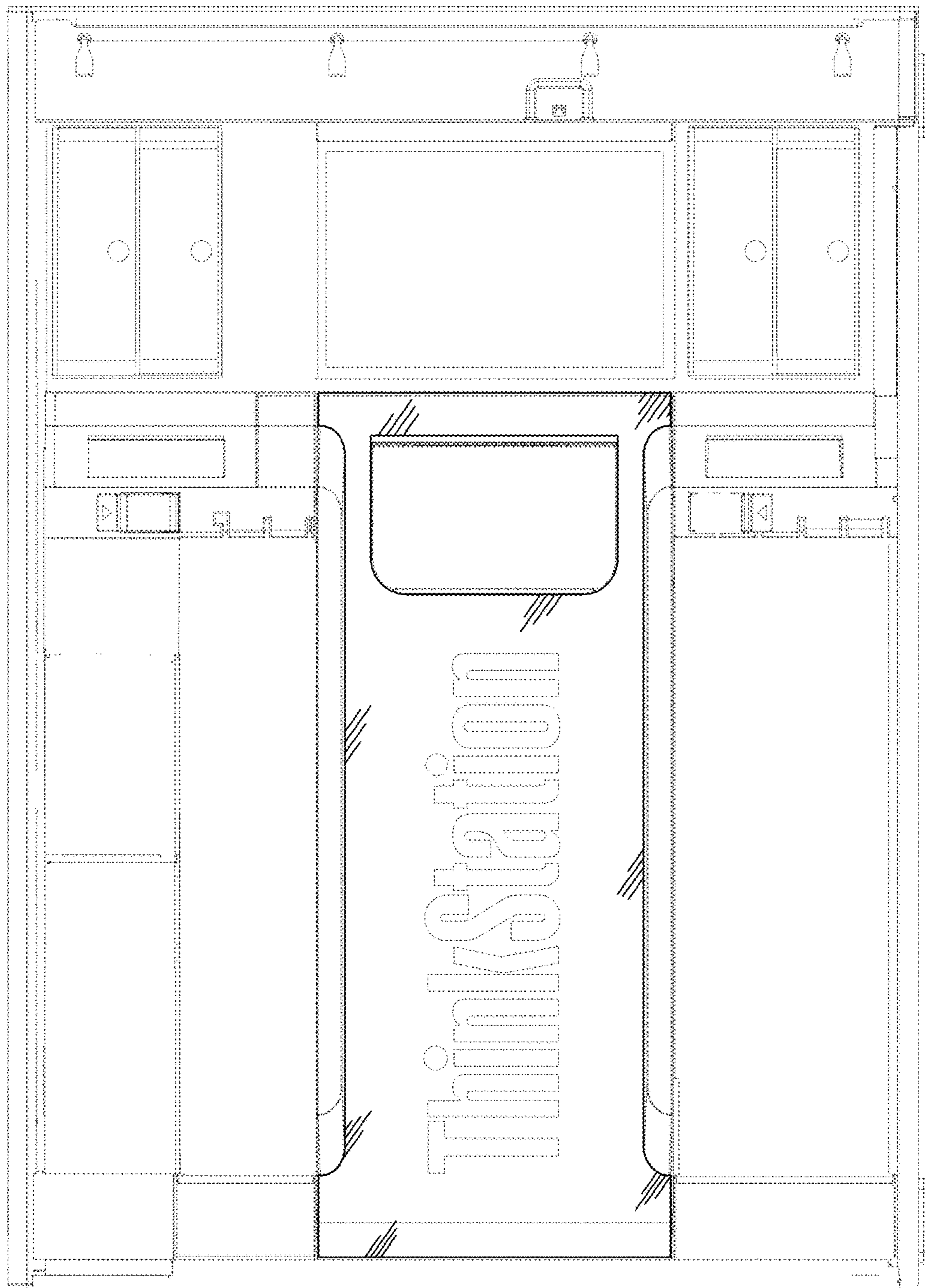


FIG. 1

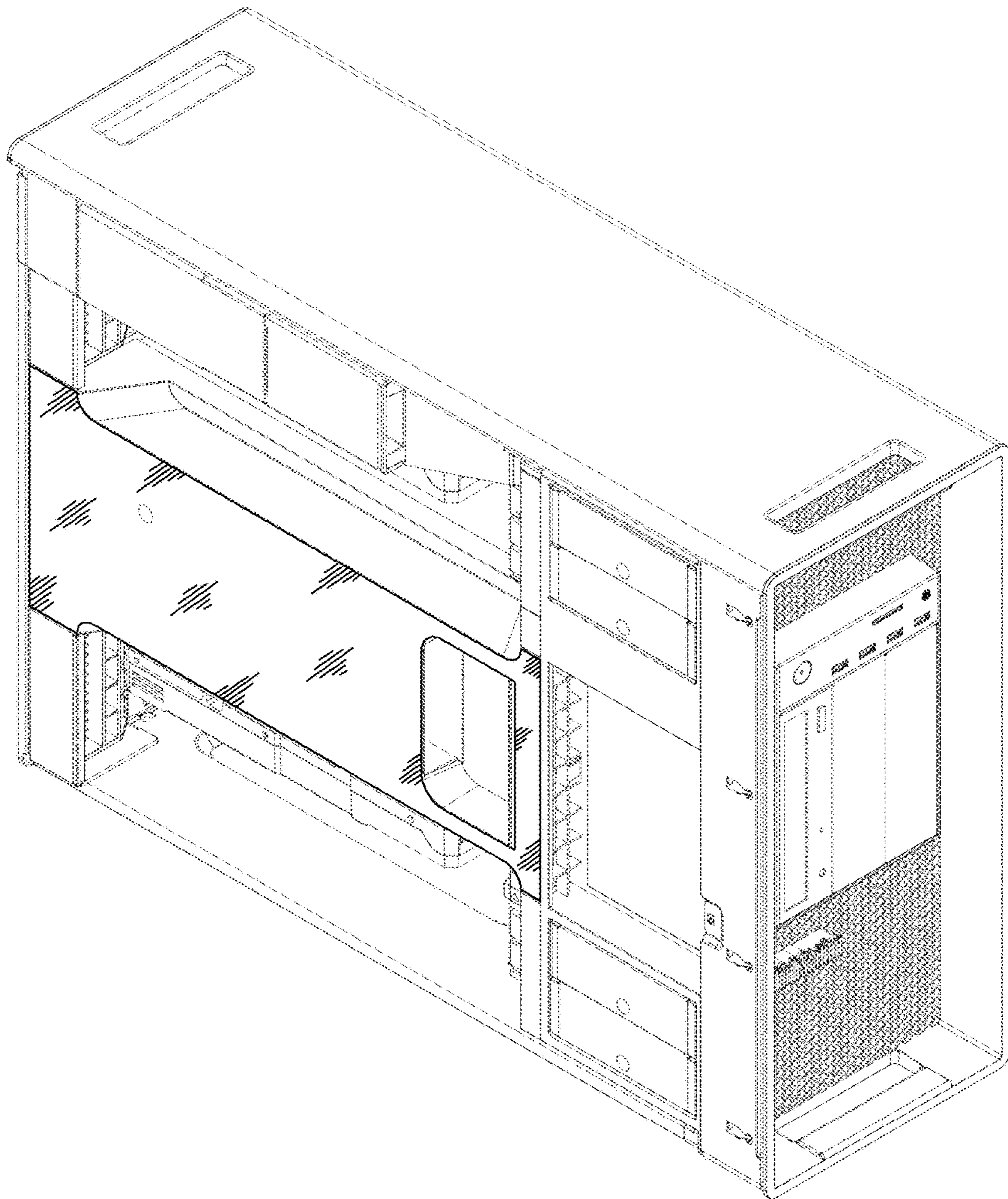


FIG. 2

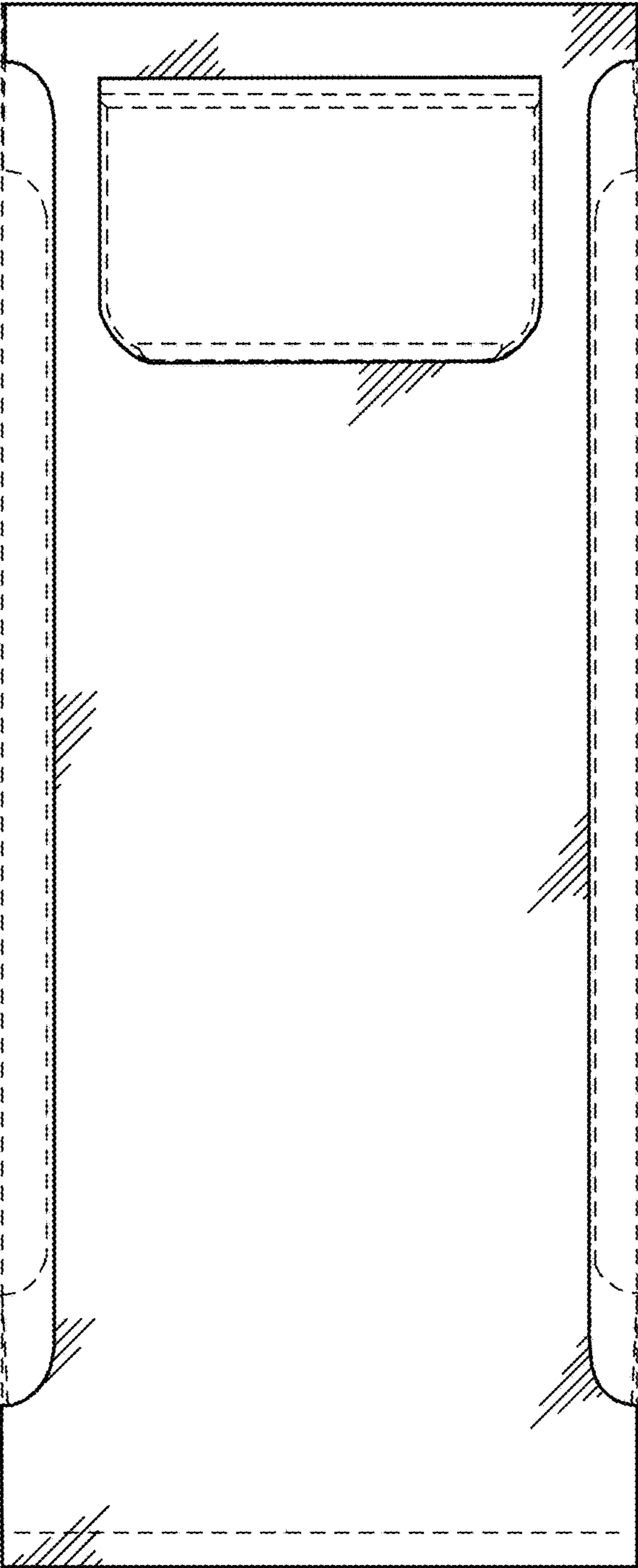


FIG. 3

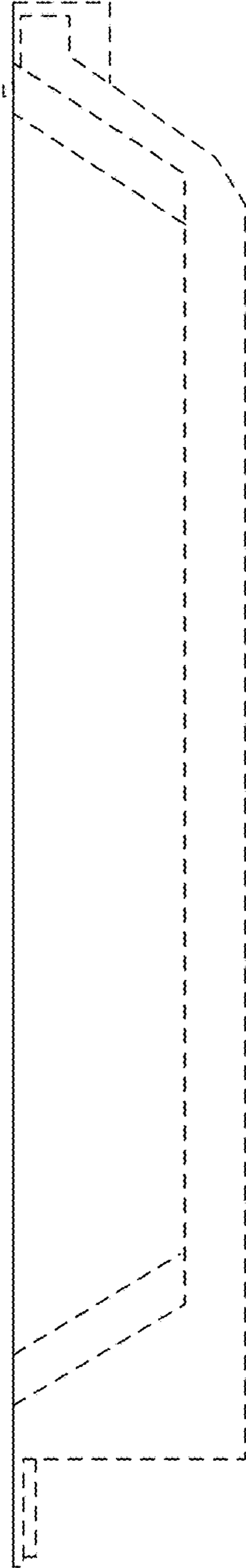


FIG. 4

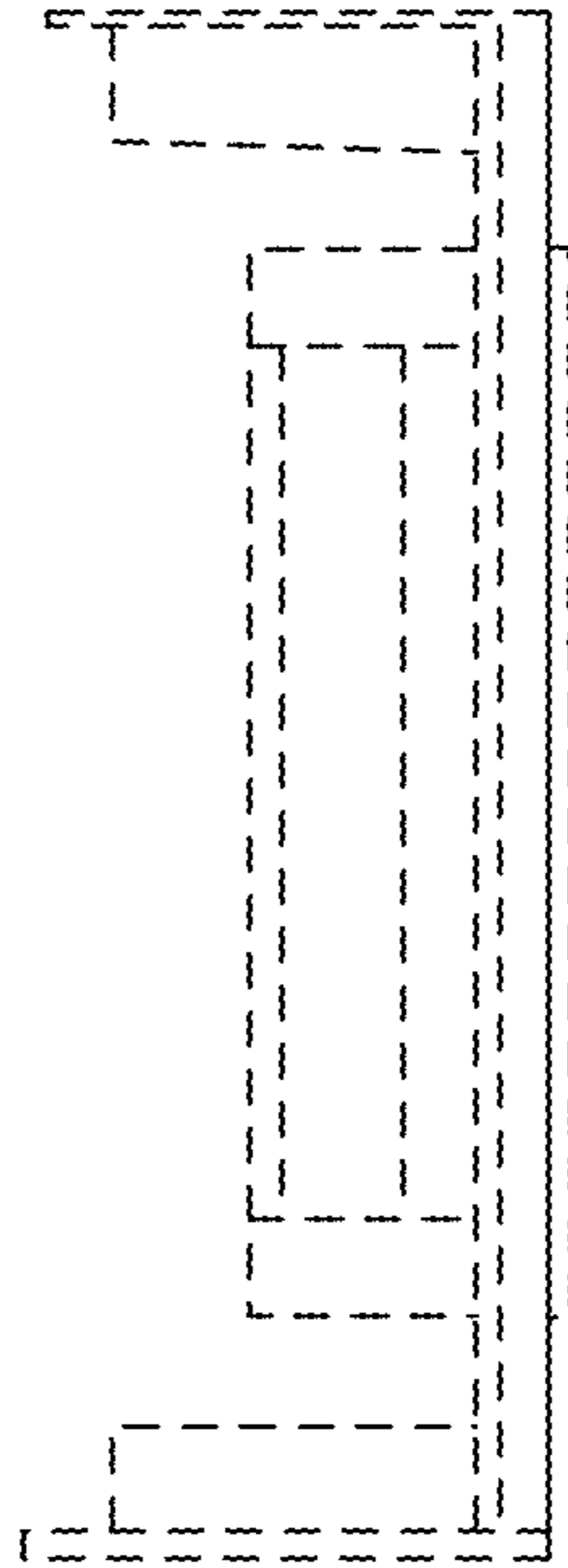


FIG. 5

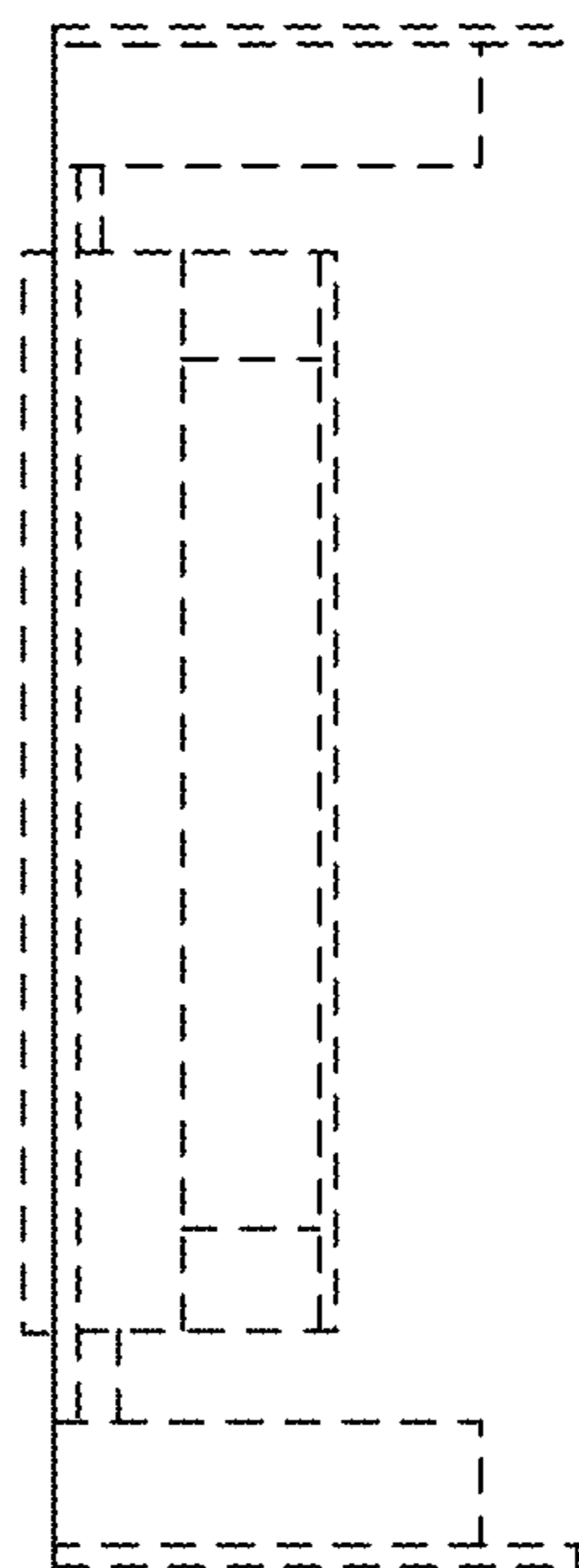


FIG. 6

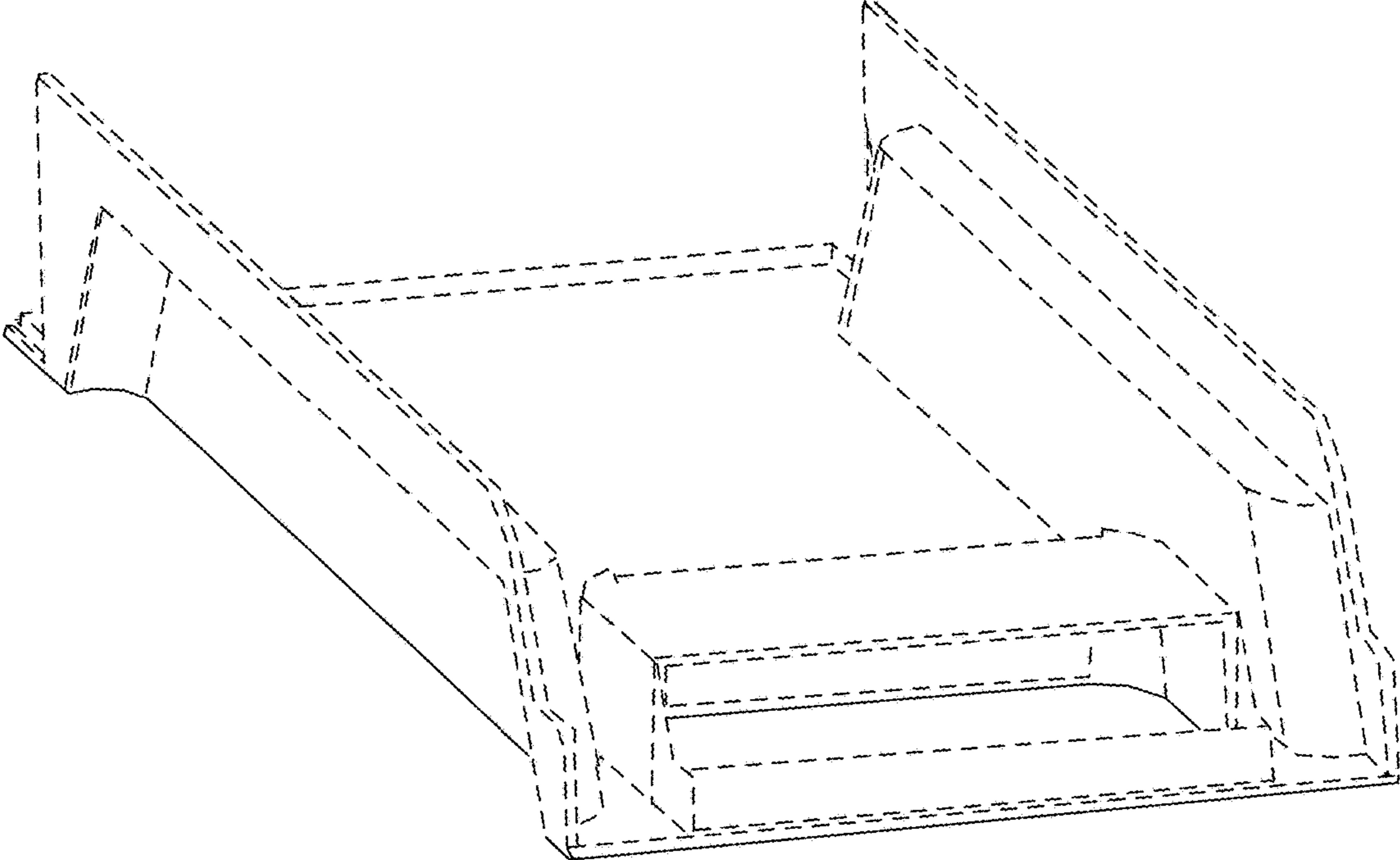


FIG. 7