



US00D773449S

(12) **United States Design Patent** (10) **Patent No.:** **US D773,449 S**
Mellano et al. (45) **Date of Patent:** **** Dec. 6, 2016**

(54) **MOBILE PHONE HOLDER** D542,028 S * 5/2007 Yang D3/218
D669,890 S * 10/2012 Hopkins D14/251
(71) Applicant: **MOVIEFARM S.r.l.**, Milan (IT) D679,693 S * 4/2013 Rashid D14/250
D689,853 S * 9/2013 Smith D14/253
(72) Inventors: **Massimo Mellano**, Milan (IT); D691,991 S * 10/2013 Mohan D14/250
Giovanni Vella, Milan (IT) D697,305 S * 1/2014 Culver D2/639
8,714,422 B2 * 5/2014 Yu A45F 5/00
224/197
(73) Assignees: **MOVIEFARM S.R.L.**, Milan (IT); D707,673 S * 6/2014 Lan D14/253
Giovanni Vella, Milan (IT) D717,538 S * 11/2014 Bransfield D3/218
D717,804 S * 11/2014 Budge D14/447
(**) Term: **15 Years** D719,144 S * 12/2014 Eulette D14/250
D719,951 S * 12/2014 Fenton D14/253
(21) Appl. No.: **29/540,917** 9,060,588 B2 * 6/2015 Bransfield A45F 5/02
D749,558 S * 2/2016 Nielsen D14/251
(22) Filed: **Sep. 29, 2015** D749,839 S * 2/2016 Fairbrother D3/218
D751,284 S * 3/2016 Kishimoto D3/218

(30) **Foreign Application Priority Data**

Mar. 31, 2015 (EM) 002672899-0001

(51) **LOC (10) Cl.** **14-03**

(52) **U.S. Cl.**
USPC **D14/253**; D3/218

(58) **Field of Classification Search**

USPC D14/253, 251, 252, 447, 451, 452,
440,D14/434, 458, 432, 439, 457, 460,
238.1, 140,D14/142, 149, 217, 148,
140.8, 140.11, 209.1,D14/151, 140.9;
D13/107, 108; D12/415, 223, D12/114;
D3/218; D16/242-245, 250, 237, 203,
D16/214, 219; D6/675, 672, 673, 675.4,
553, D6/676, 310
CPC B60R 2011/0008; B60R 11/02; B60R
11/0241; B60R 11/0258; B60R 11/0252;
B60R 2011/0294; F16M 11/00; F16M
11/04; F16M 11/041; F16M 11/02; F16M
11/06; H04M 1/02; A47F 7/022; B62J
11/00

See application file for complete search history.

(56) **References Cited**

U.S. PATENT DOCUMENTS

6,662,986 B2 * 12/2003 Lehtonen A45F 5/02
224/222
D500,591 S * 1/2005 Greene D3/218

* cited by examiner

Primary Examiner — Susan Bennett Hattan

Assistant Examiner — Janice Hallmark

(74) *Attorney, Agent, or Firm* — Shuttleworth &
Ingersoll, PLC; Timothy J. Klima

(57) **CLAIM**

The ornamental design for a mobile phone holder, as shown.

DESCRIPTION

FIG. 1 is a front perspective view of a mobile phone holder;
FIG. 2 is a front view thereof;
FIG. 3 is a side view thereof;
FIG. 4 is a rear view thereof;
FIG. 5 is an opposite side view thereof;
FIG. 6 is a bottom view thereof; and,
FIG. 7 is a top view thereof.

The broken lines in FIG. 1 depict environmental subject matter only and form no part of the claimed design.

1 Claim, 7 Drawing Sheets

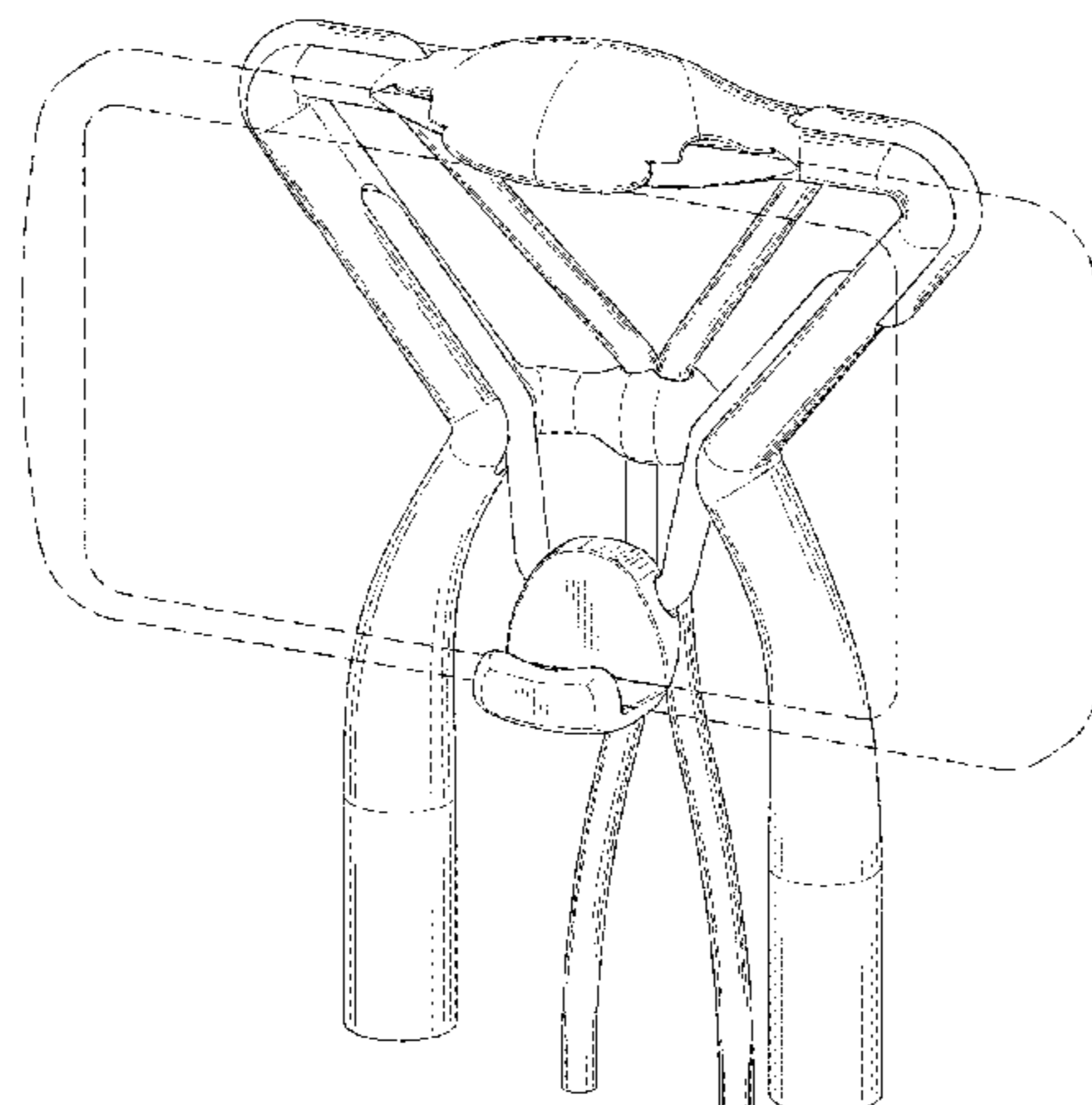


Fig.1

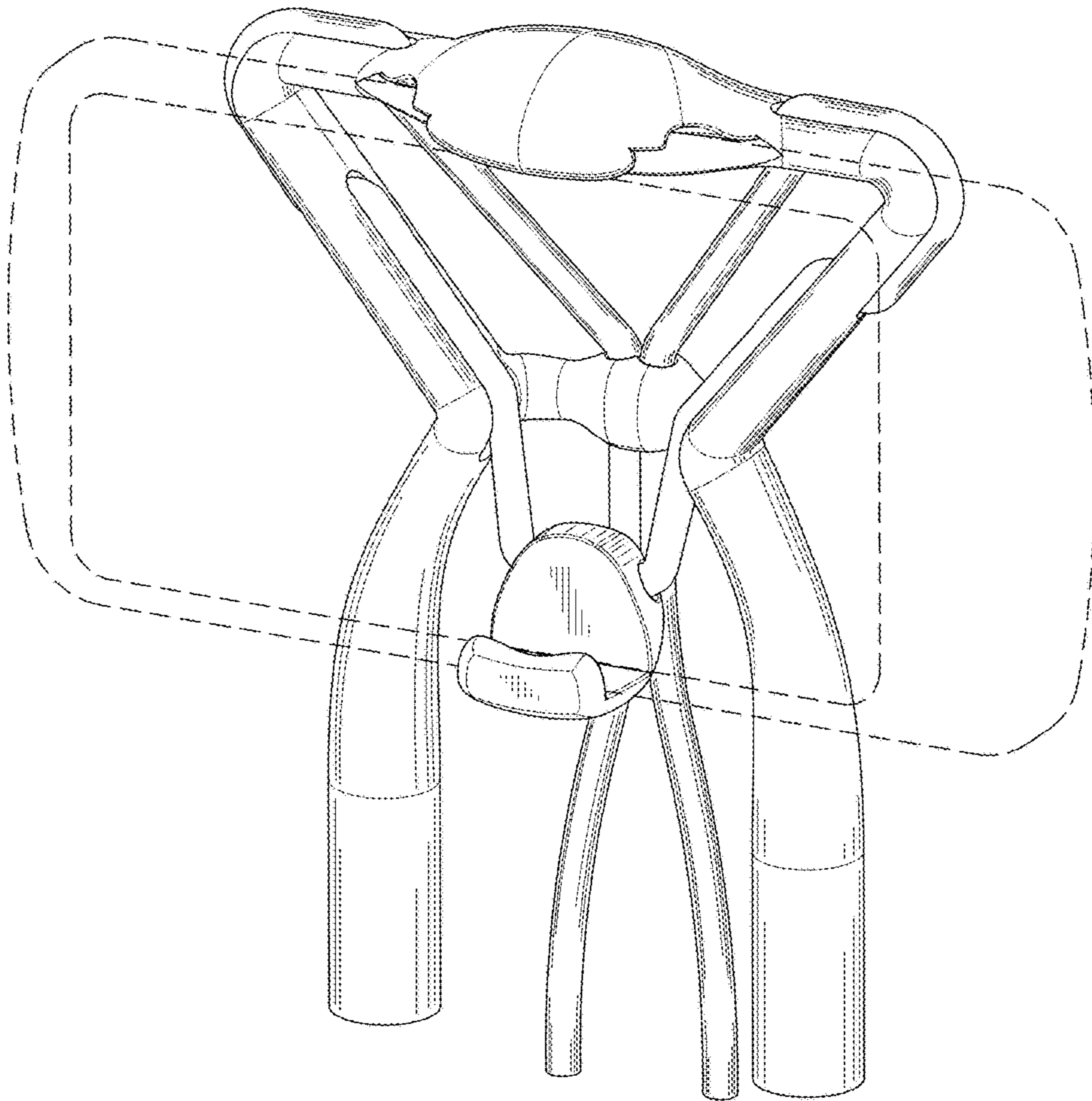


Fig. 2

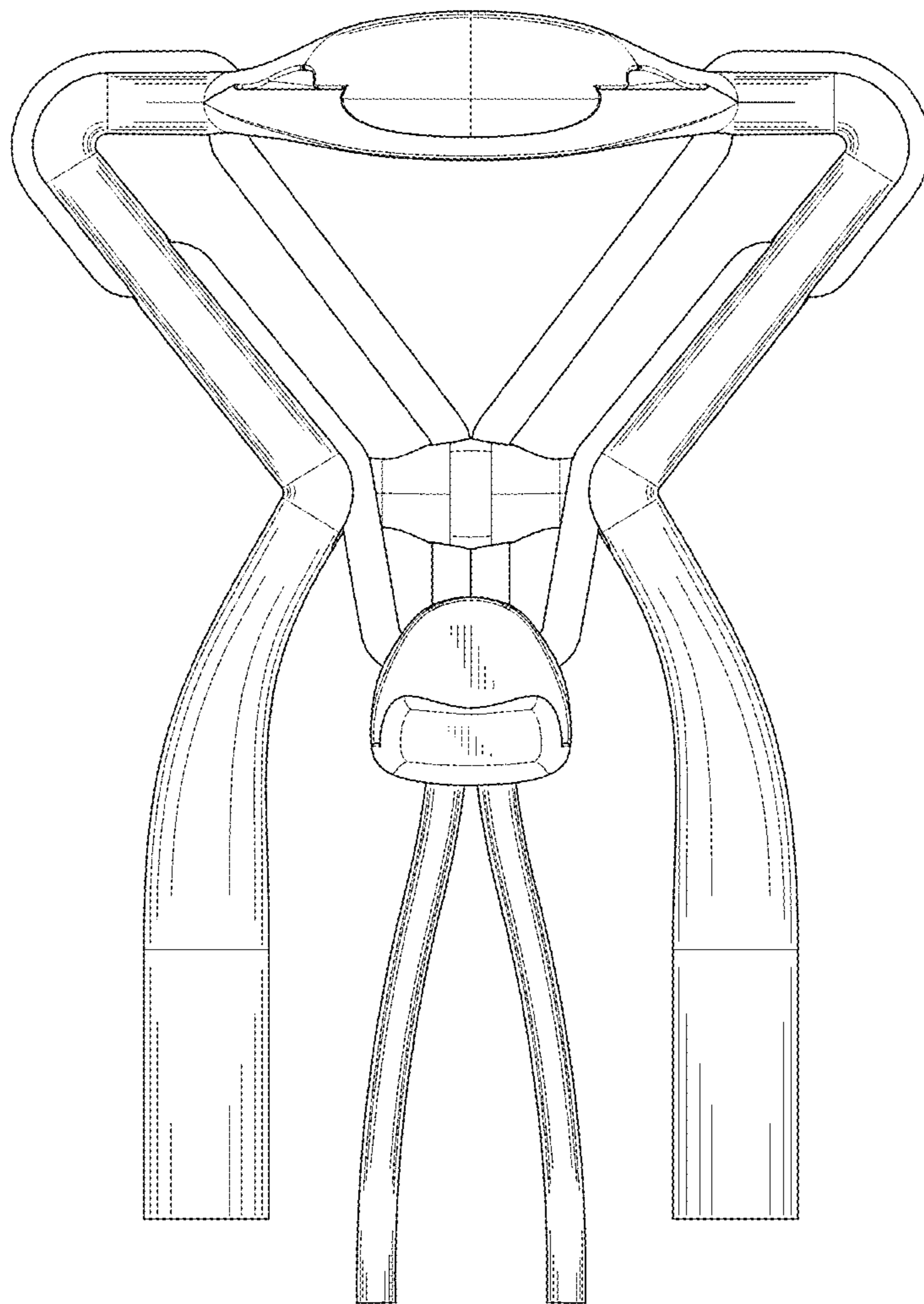


Fig. 3

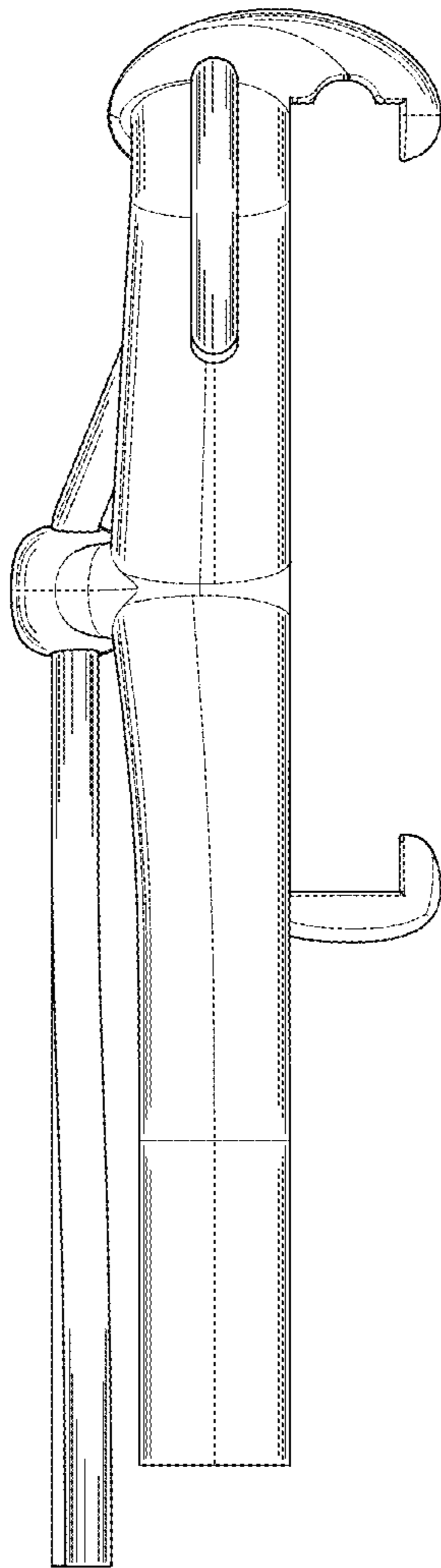


Fig. 4

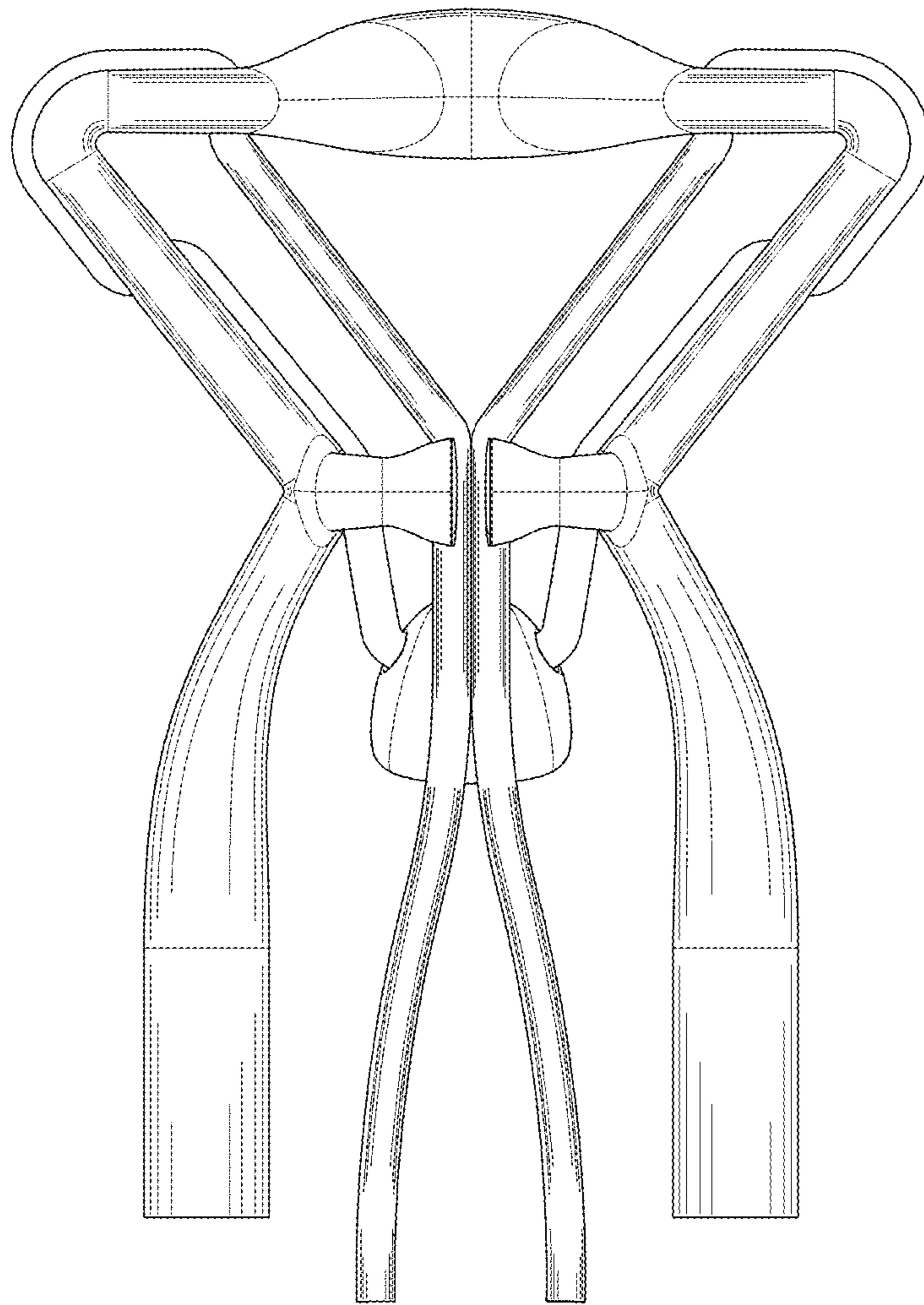


Fig. 5

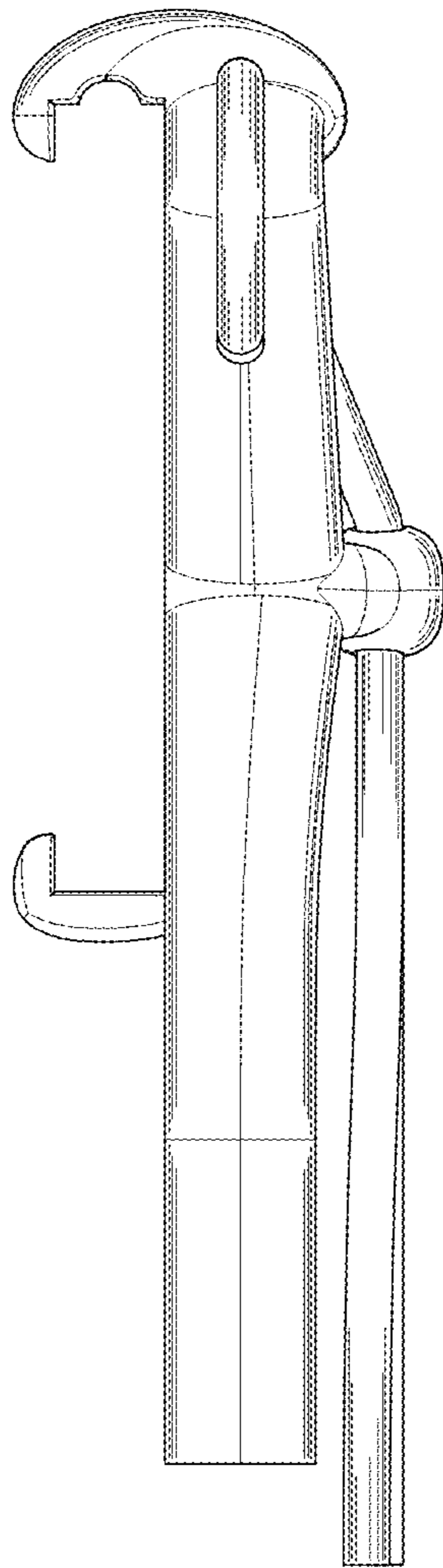


Fig.6

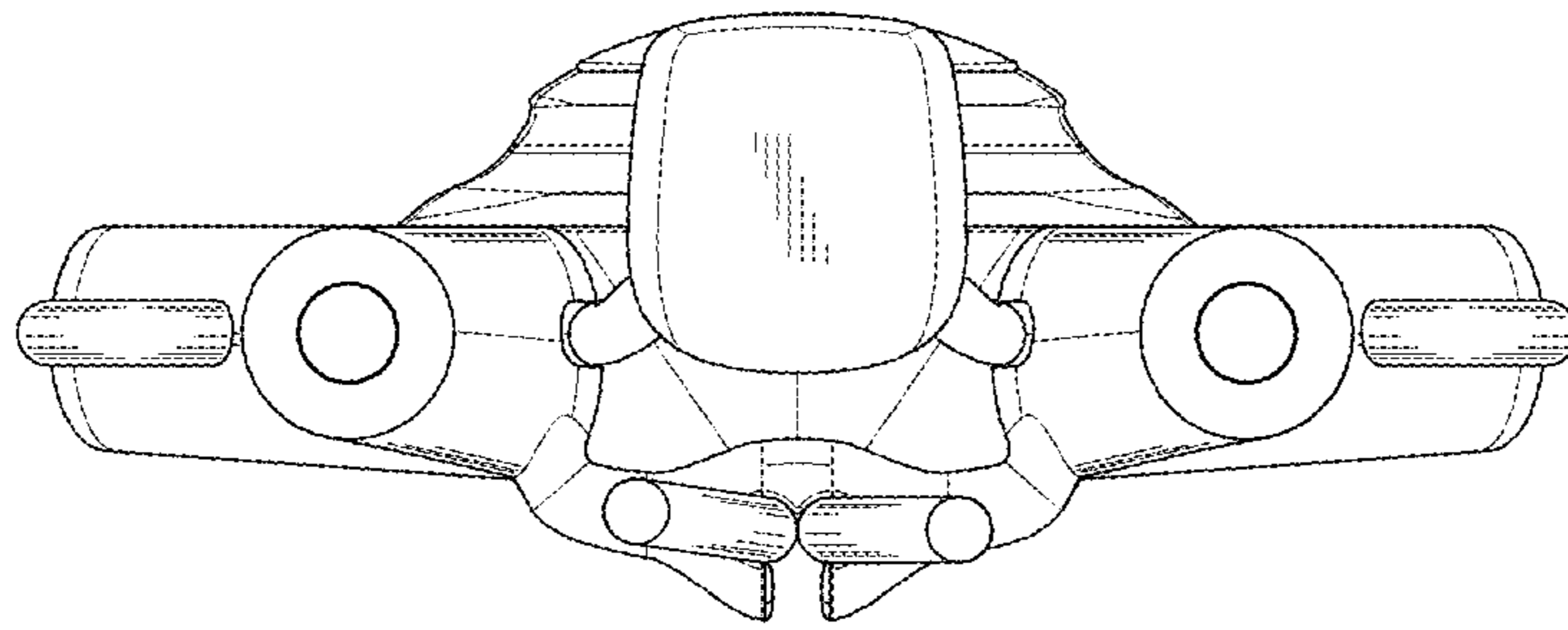


Fig. 7

