



US00D773443S

(12) **United States Design Patent**  
**Sano**

(10) **Patent No.:** **US D773,443 S**  
(45) **Date of Patent:** **\*\* Dec. 6, 2016**

(54) **ANTENNA**  
(71) Applicant: **Panasonic Intellectual Property Management Co., Ltd., Osaka (JP)**  
(72) Inventor: **Yoshihiko Sano, Mie (JP)**  
(73) Assignee: **Panasonic Intellectual Property Management Co., Ltd., Osaka (JP)**  
(\*\*) Term: **15 Years**  
(21) Appl. No.: **29/529,272**  
(22) Filed: **Jun. 5, 2015**  
(30) **Foreign Application Priority Data**

Dec. 19, 2014 (JP) ..... 2014-028482

(51) **LOC (10) Cl.** ..... **14-03**  
(52) **U.S. Cl.**  
USPC ..... **D14/230; D14/233**

(58) **Field of Classification Search**  
USPC ..... D14/138, 230-238, 299, 358; D12/42, D12/43; 343/700 R-705, 711-713, 735, 736, 343/741, 748, 767, 795, 819, 840, 846, 866, 343/871-908; 455/90.2, 90.3, 91, 128, 269, 455/344, 347, 562.1  
CPC ..... H01Q 7/00; H01Q 13/10; H01Q 9/285; H01Q 19/30; H01Q 19/12; H01Q 1/38; H01Q 1/36; H04B 1/0475; H04B 1/034; H05K 11/00  
See application file for complete search history.

(56) **References Cited**  
**U.S. PATENT DOCUMENTS**  
2,498,350 A \* 2/1950 Walsh ..... H01Q 1/085  
174/151  
2,509,903 A \* 5/1950 Brode ..... F42C 13/04  
102/214  
2,931,897 A \* 4/1960 Tuve ..... G01W 1/08  
343/700 R

3,346,865 A \* 10/1967 Jones, Jr. .... H01Q 13/106  
333/239  
D209,506 S \* 12/1967 Gaida ..... D14/233  
D225,221 S \* 11/1972 Sikorski et al. .... D10/109.1  
3,757,698 A \* 9/1973 Jacobson ..... F42B 10/46  
244/131  
4,037,540 A \* 7/1977 Keydel ..... F42C 13/00  
102/214  
D255,449 S \* 6/1980 Liautaud ..... D14/233  
D282,172 S \* 1/1986 Mabuchi ..... D14/233  
4,725,475 A \* 2/1988 Fiscus ..... H01Q 1/422  
343/872  
D307,143 S \* 4/1990 Ashihara ..... D14/230  
D327,691 S \* 7/1992 Ogawa ..... D14/230  
D361,569 S \* 8/1995 Jervis ..... D14/230  
5,568,162 A \* 10/1996 Samsel ..... H01Q 1/526  
343/726  
6,020,854 A \* 2/2000 Jagnow ..... H01Q 1/281  
343/705

(Continued)

*Primary Examiner* — John Windmuller  
(74) *Attorney, Agent, or Firm* — Panasonic IP Management; Kerry S. Culpepper

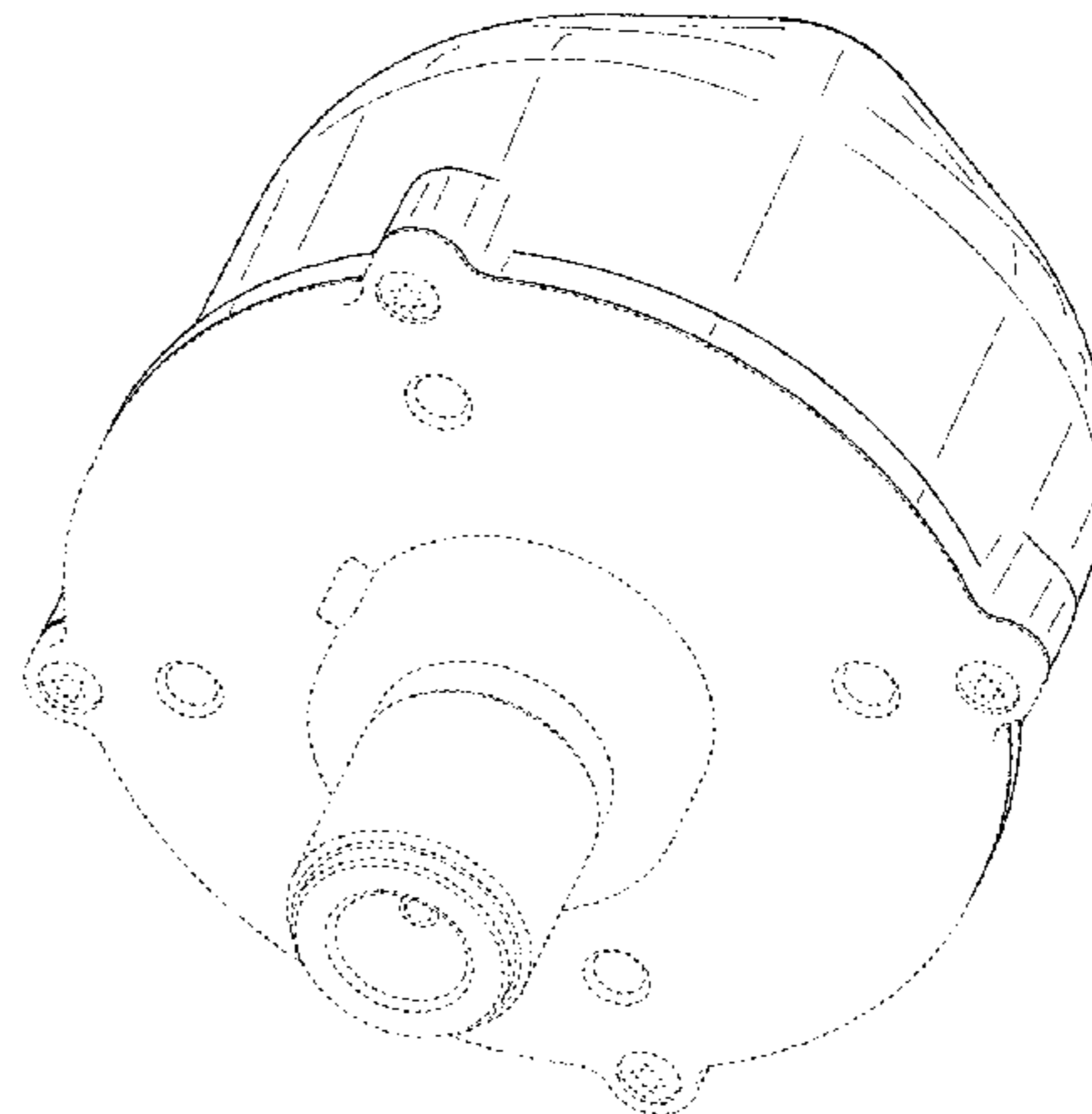
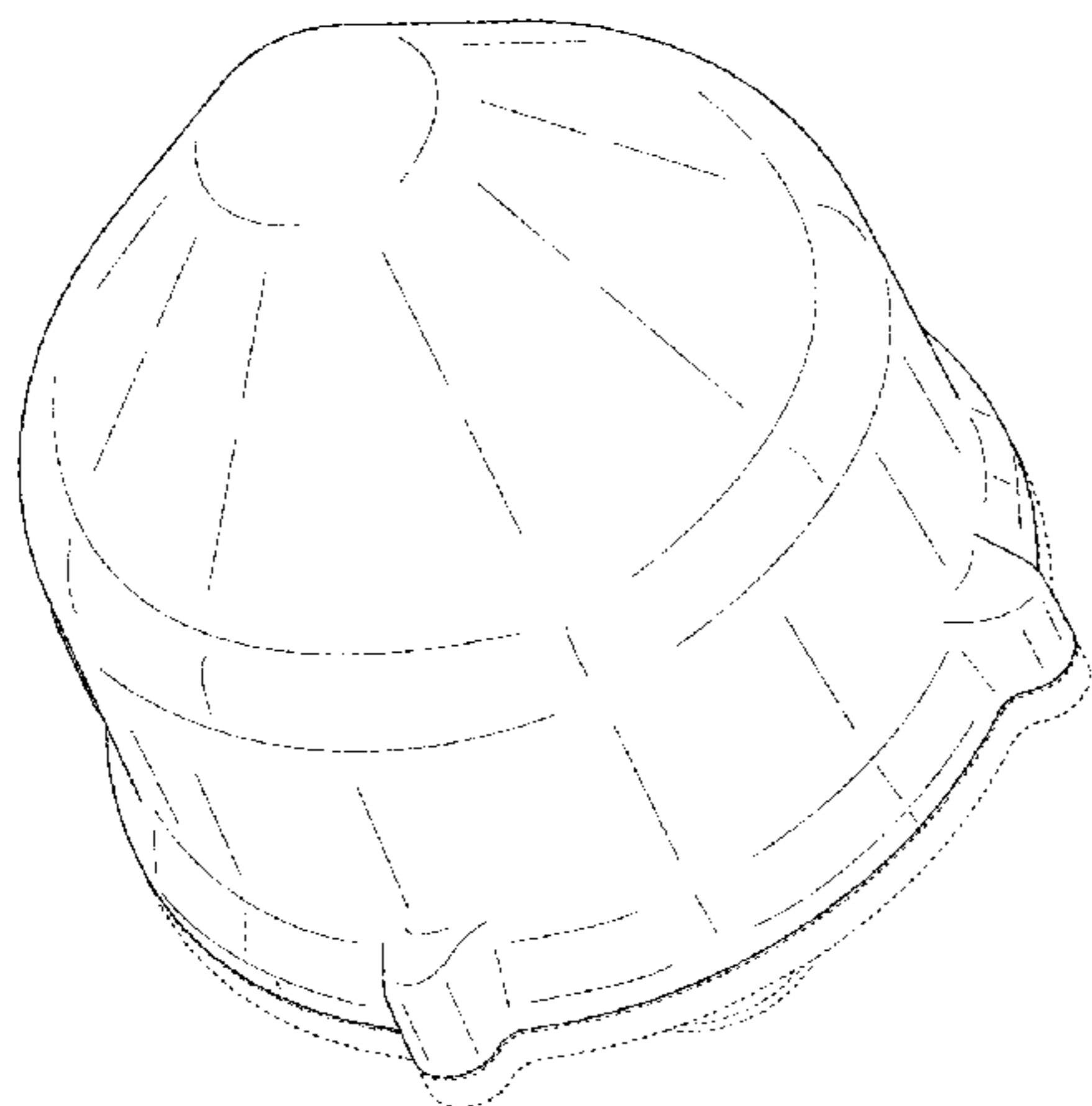
(57) **CLAIM**

The ornamental design for an antenna, as shown and described.

**DESCRIPTION**

FIG. 1 is a top perspective view of an antenna of the present invention;  
FIG. 2 is a bottom perspective view thereof;  
FIG. 3 is a front view thereof;  
FIG. 4 is a rear view thereof;  
FIG. 5 is a first side view thereof;  
FIG. 6 is a second side view thereof;  
FIG. 7 is a top view thereof; and,  
FIG. 8 is a bottom view thereof.  
The broken lines illustrate a portion of the antenna that forms no part of the claimed design.

**1 Claim, 8 Drawing Sheets**



(56)

**References Cited**

U.S. PATENT DOCUMENTS

6,023,245	A *	2/2000	Gomez	.....	H01Q 9/0407 343/700 MS
6,111,549	A *	8/2000	Feller	.....	H01Q 9/28 343/700 MS
D480,712	S *	10/2003	Noro	.....	D14/230
6,697,031	B2 *	2/2004	Jocher	.....	H01Q 9/28 343/790
D489,712	S *	5/2004	Nagatomi	.....	D14/230
7,006,047	B2 *	2/2006	Marsan	.....	H01Q 1/28 343/705
7,498,969	B1 *	3/2009	Paulsen	.....	F41G 7/346 102/211
7,548,202	B1 *	6/2009	Jennings	.....	F42C 13/04 342/418
D623,633	S *	9/2010	Bliss	.....	D14/233
D632,281	S *	2/2011	Hoehn	.....	D14/218
D634,308	S *	3/2011	Bliss	.....	D14/233
9,028,103	B2 *	5/2015	Lee	.....	F21K 9/135 362/294
2005/0110649	A1 *	5/2005	Fredericks	.....	B64D 47/06 340/815.45

\* cited by examiner

FIG. 1

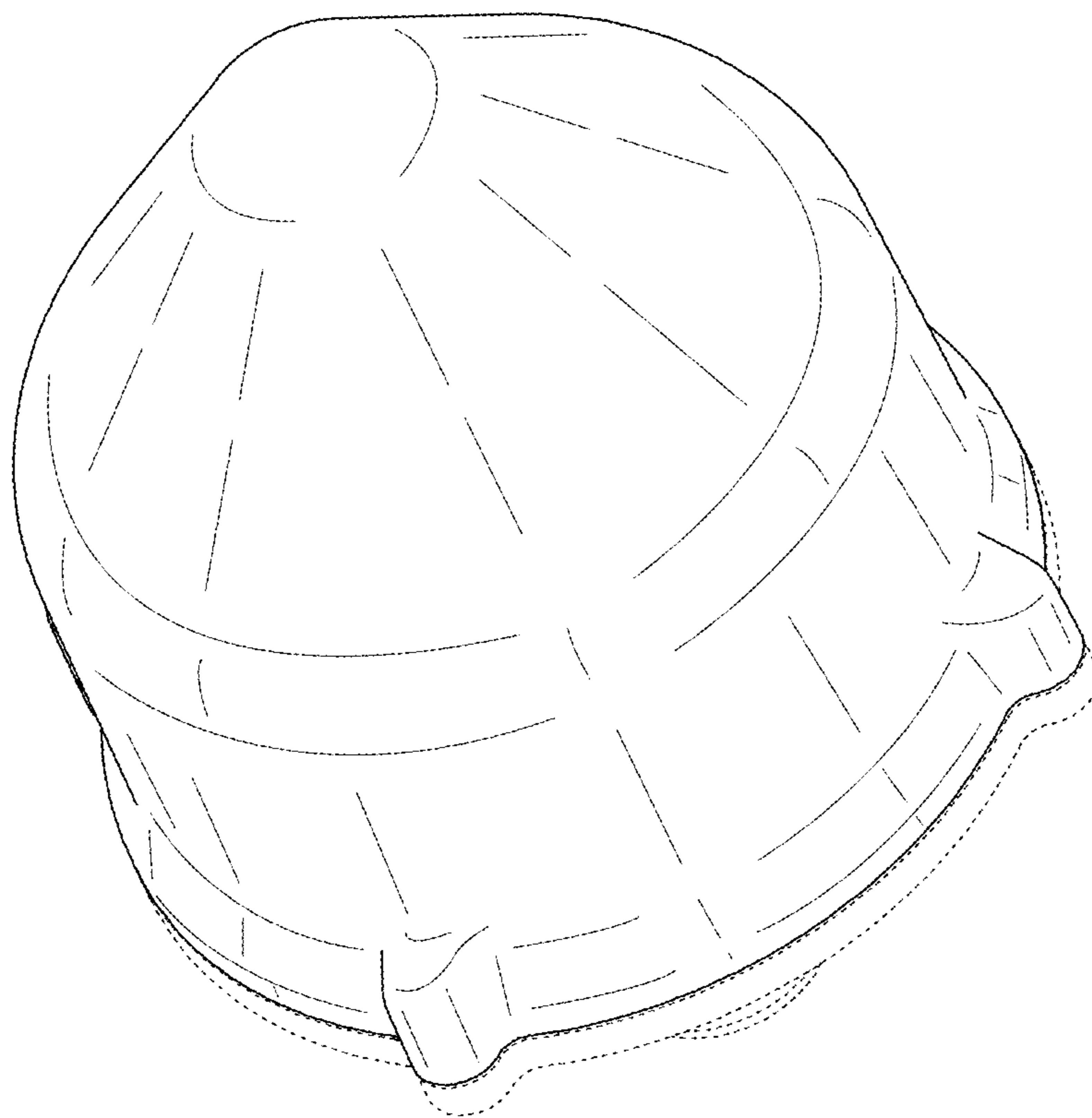


FIG. 2

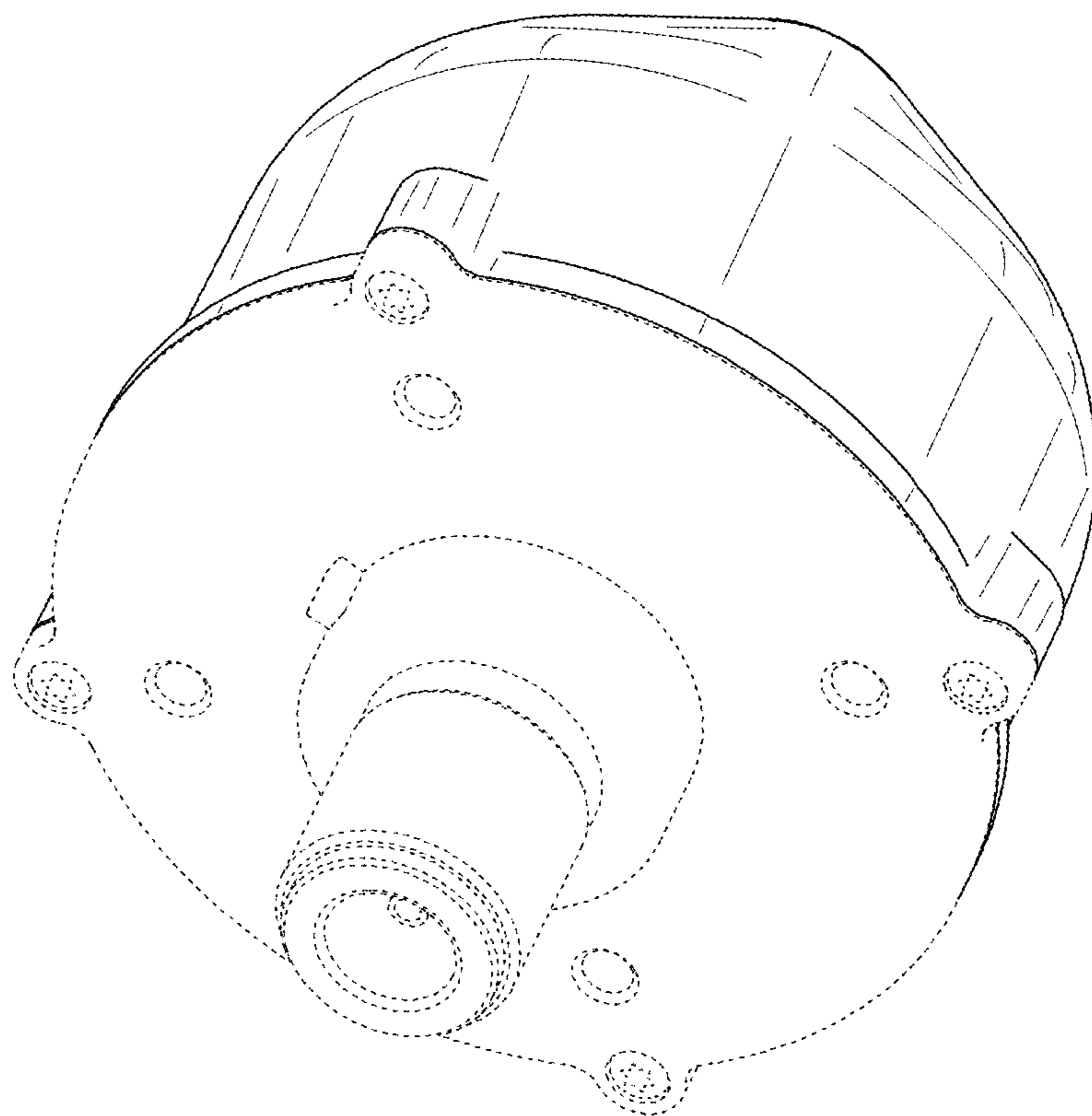


FIG. 3

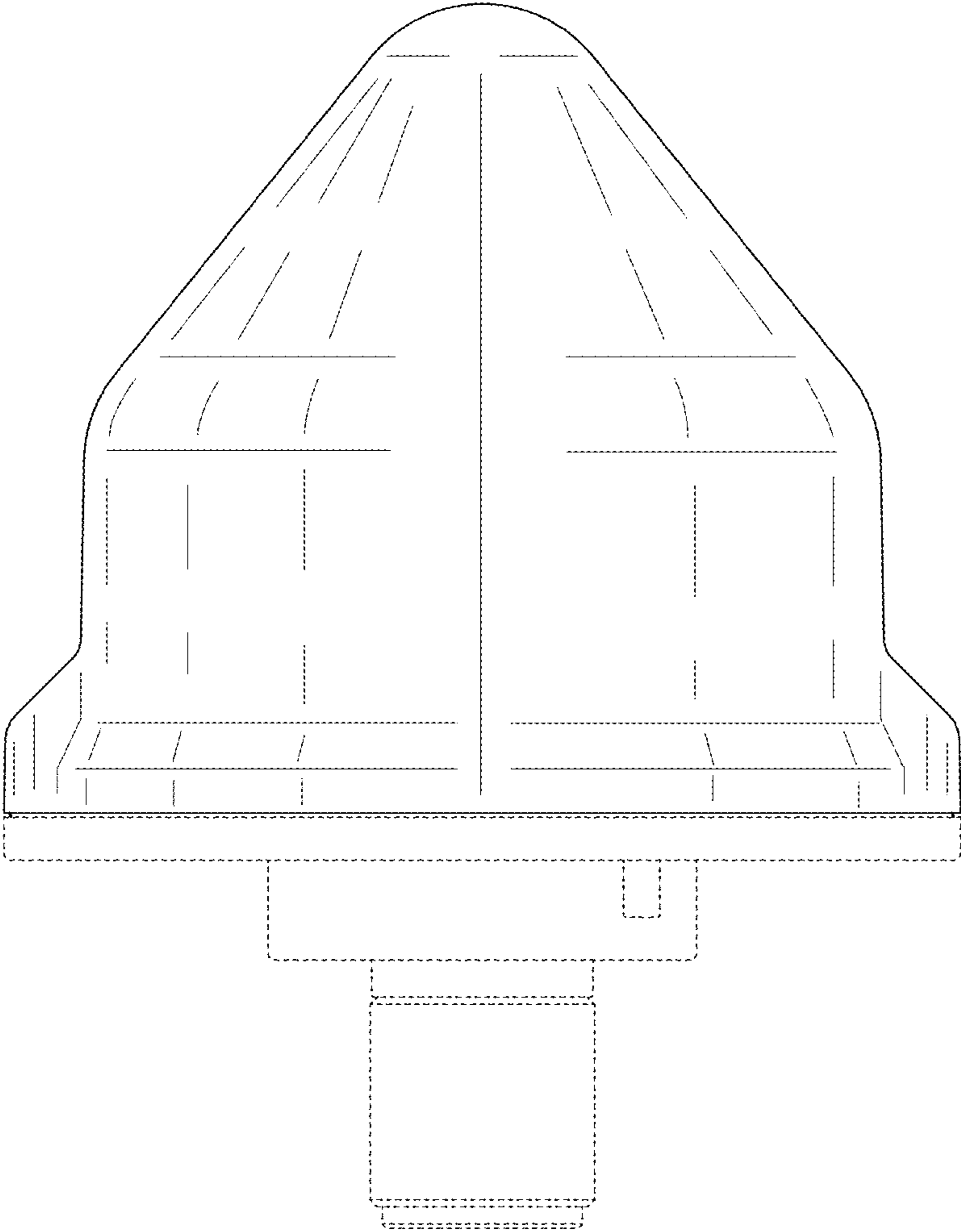


FIG. 4

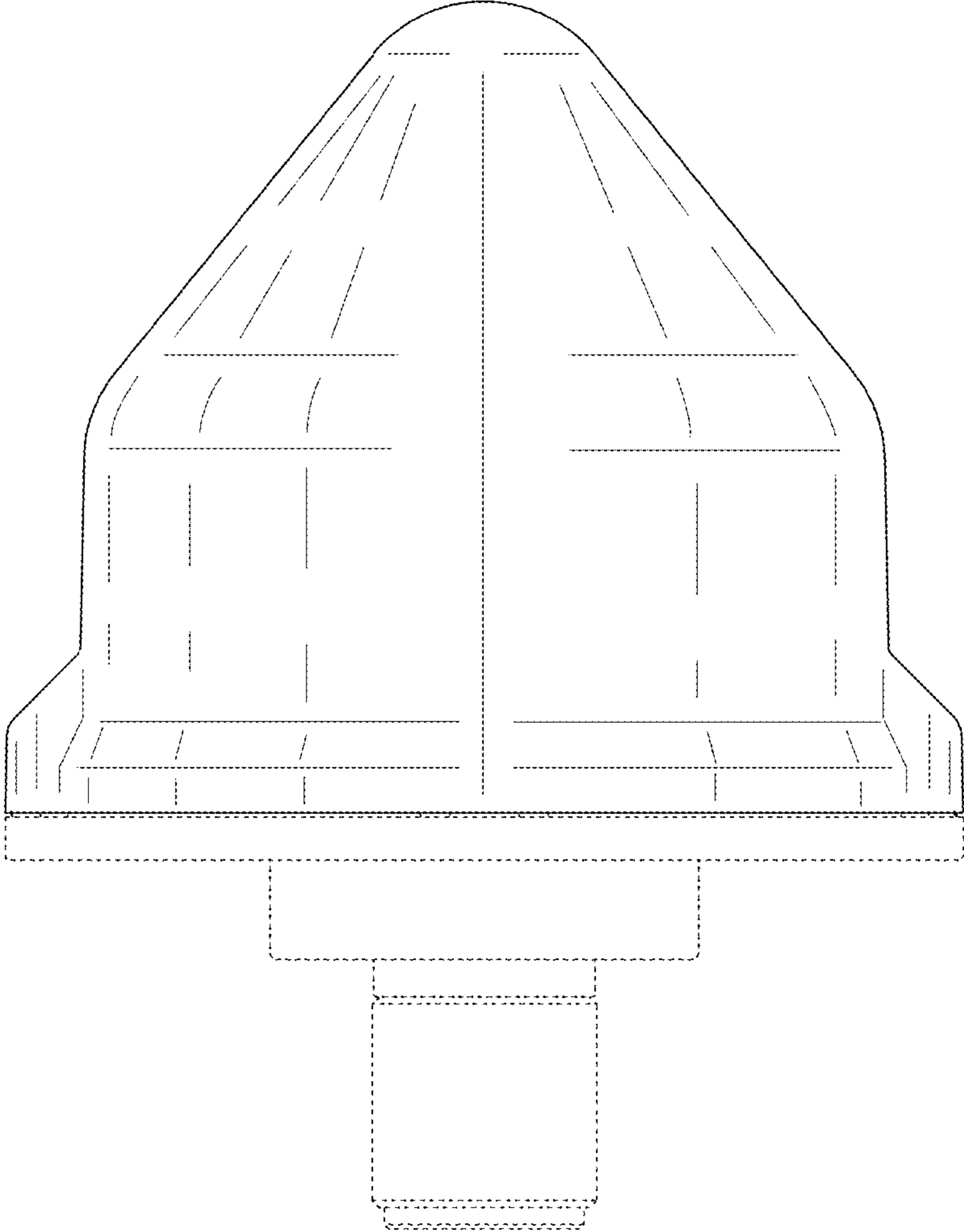


FIG. 5

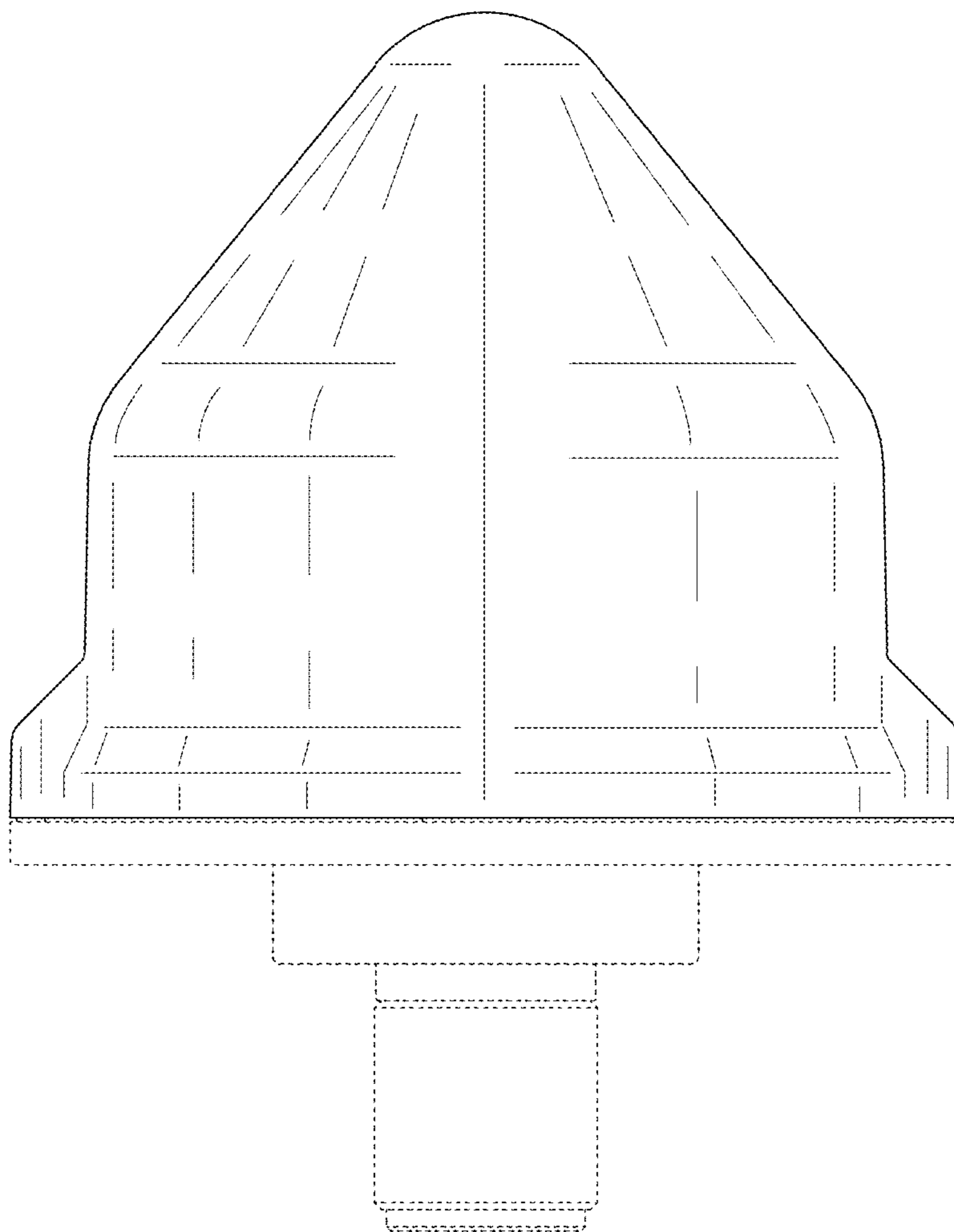


FIG. 6

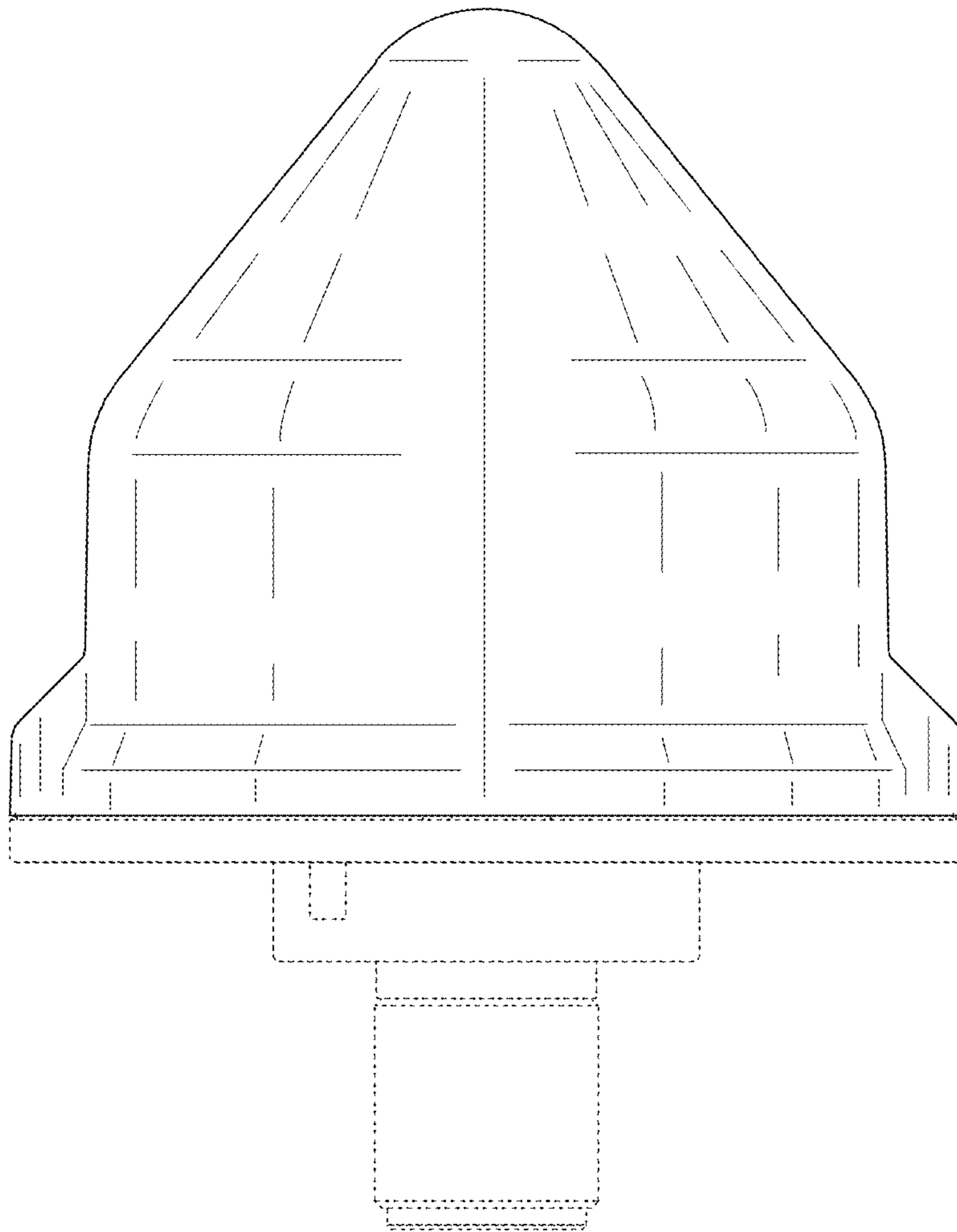




FIG. 7

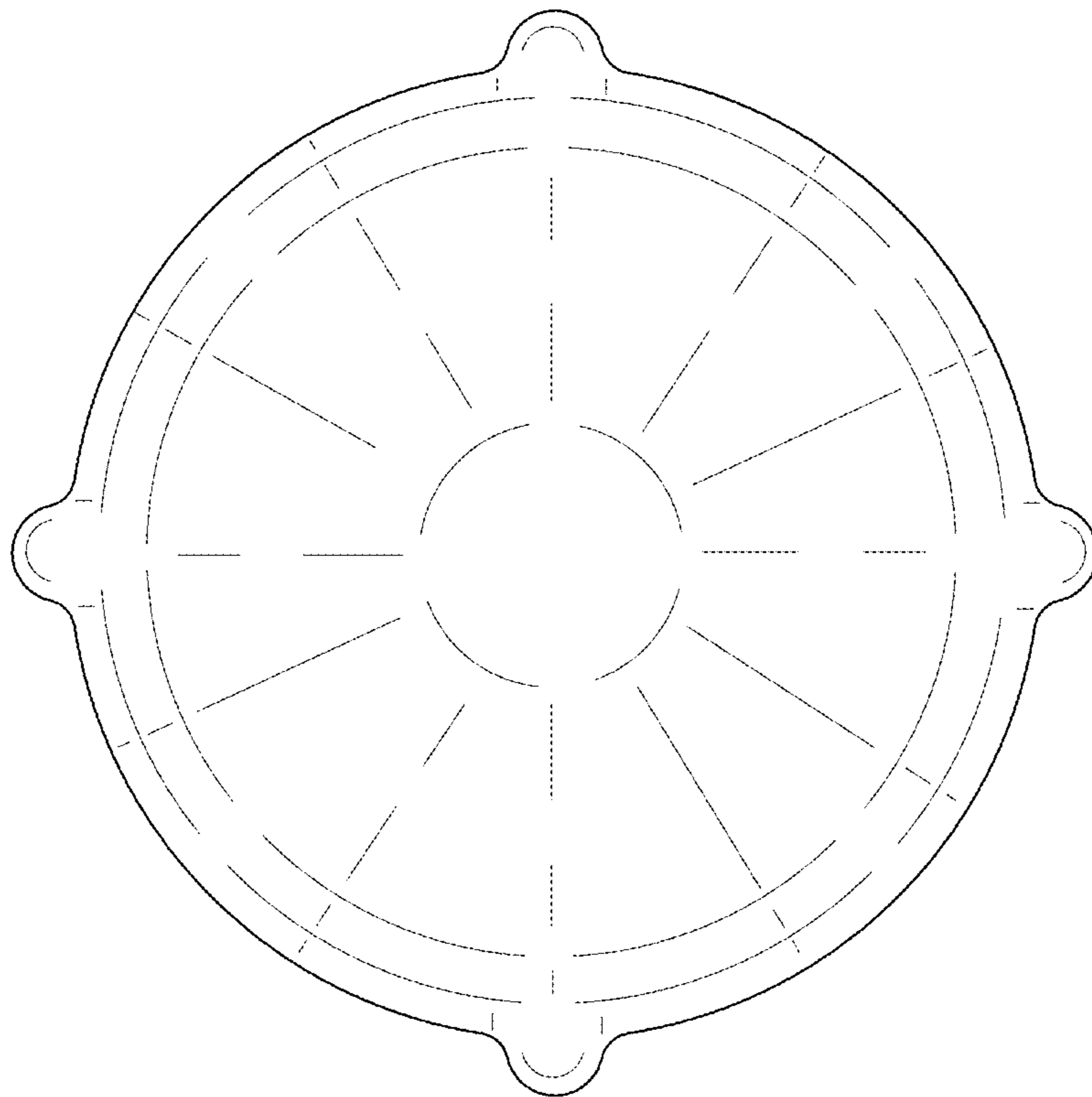


FIG. 8

