



US00D773438S

(12) **United States Design Patent**
Walker et al.

(10) **Patent No.:** **US D773,438 S**

(45) **Date of Patent:** **** Dec. 6, 2016**

- (54) **HEADPHONE**
- (71) Applicant: **Harman International Industries, Incorporated**, Northridge, CA (US)
- (72) Inventors: **Jason Walker**, St. Louis, MO (US); **Eric Sia**, St. Louis, MO (US); **Effrosini Karayiannis**, St. Louis, MO (US)
- (73) Assignee: **Harman International Industries, Incorporated**, Northridge, CA (US)
- (**) Term: **15 Years**
- (21) Appl. No.: **29/535,246**
- (22) Filed: **Aug. 5, 2015**
- (51) **LOC (10) Cl.** **14-01**
- (52) **U.S. Cl.**
USPC **D14/223**
- (58) **Field of Classification Search**
USPC D14/205, 223; D24/174, 182; 181/129, 181/130, 135; 379/430, 431; 381/380, 381, 381/322, 328; 455/90.3, 575.1
CPC H04R 25/00; H04R 1/10; H04R 1/1016
See application file for complete search history.

(56) **References Cited**
U.S. PATENT DOCUMENTS

2,474,135	A *	6/1949	White	H04R 25/656	381/330
2,641,327	A *	6/1953	Balmer	H04R 1/105	181/129
D174,053	S *	2/1955	Norris	455/351	
2,910,679	A *	10/1959	Baldwin	B60K 28/06	200/61.47
3,440,365	A *	4/1969	Hazell	H04M 1/05	379/430
3,821,647	A *	6/1974	Minasian	H04B 1/06	381/380
3,906,478	A *	9/1975	Smey	B60K 28/06	340/575
4,004,229	A *	1/1977	File	H04B 1/088	336/233
4,453,050	A *	6/1984	Enokido	H04R 1/1066	381/330

4,585,089	A *	4/1986	Topholm	H04R 25/65	181/130
D284,859	S *	7/1986	Okada	D14/192	
4,617,431	A *	10/1986	Scott	H04M 1/05	181/20
D293,107	S *	12/1987	Muller	D14/197	
D299,344	S *	1/1989	Stevens	D14/249	
5,046,580	A *	9/1991	Barton	H04R 25/656	128/866
D321,881	S *	11/1991	Hopewell	D14/192	
D348,067	S *	6/1994	Lucey	D14/223	
5,625,171	A *	4/1997	Marshall	H04R 1/1058	181/130
D383,757	S *	9/1997	Dobrusskin	D14/223	
D407,089	S *	3/1999	Norin	D14/206	
5,881,161	A *	3/1999	Liu	H04R 1/1066	381/370

(Continued)

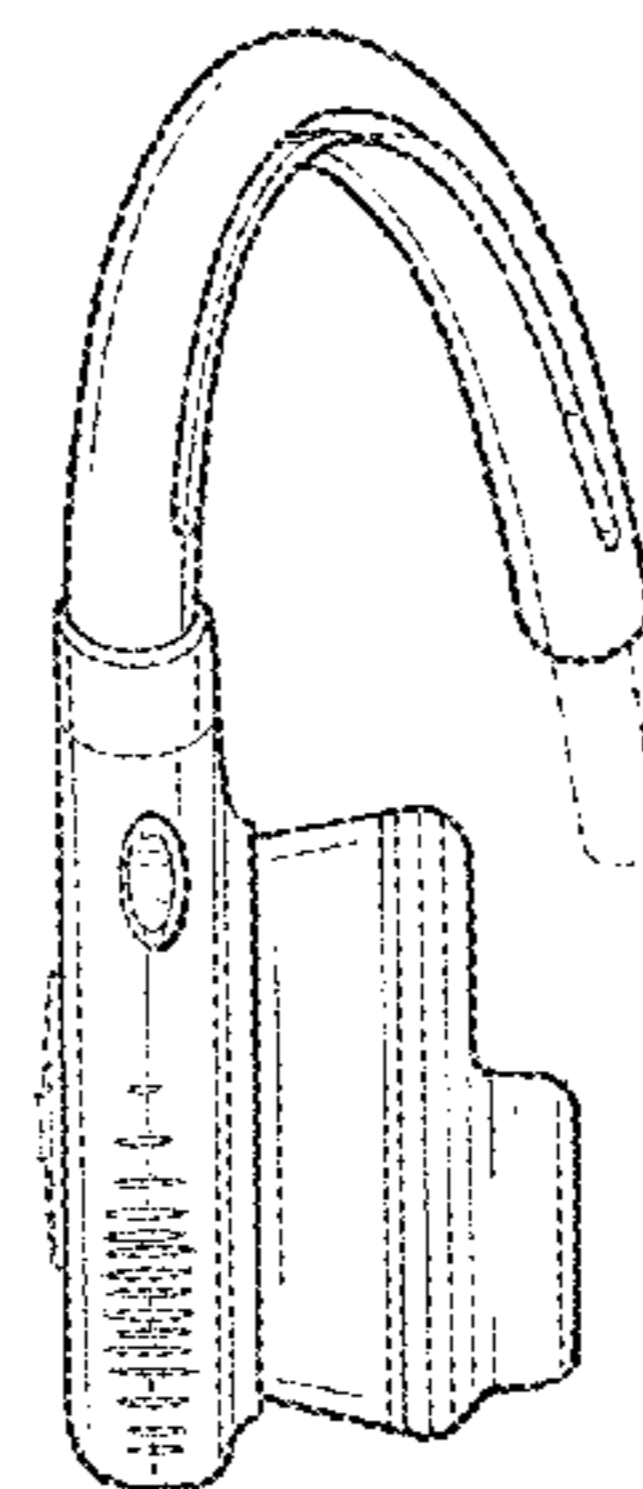
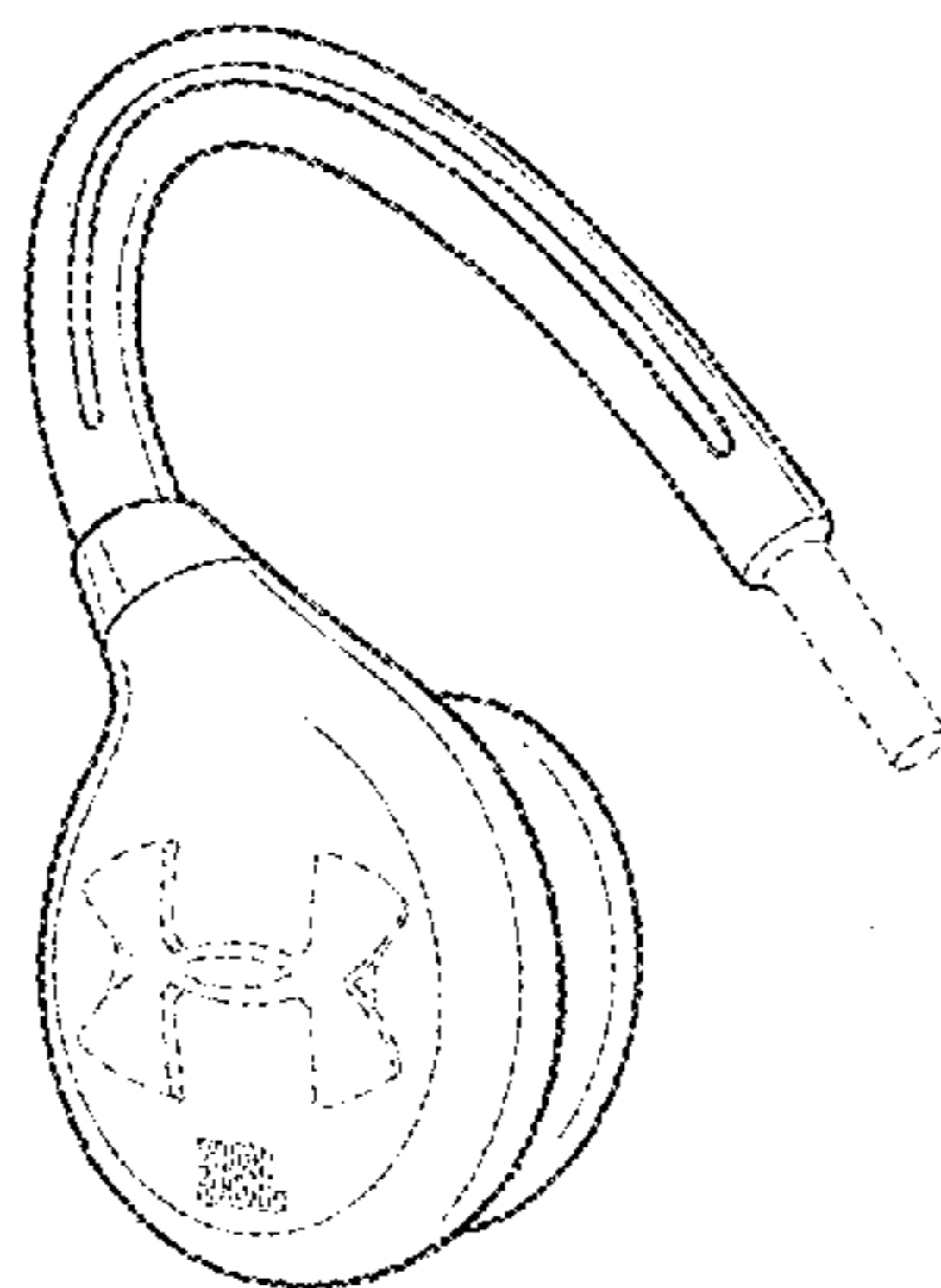
Primary Examiner — Paula Greene
(74) *Attorney, Agent, or Firm* — Plumsea Law Group, LLC

(57) **CLAIM**
The ornamental design for a headphone, as shown and described.

DESCRIPTION

FIG. 1 is a perspective view of a right-handed embodiment of a headphone showing our new design; FIG. 2 is a side elevational view of one side thereof; FIG. 3 is a side elevational view of the opposite side thereof; FIG. 4 is a front elevational view thereof; FIG. 5 is a rear elevational view thereof; FIG. 6 is a top plan view thereof; FIG. 7 is a bottom plan view thereof; FIG. 8 is a perspective view of a left-handed embodiment of the headphone showing our new design; FIG. 9 is a side elevational view of one side thereof; FIG. 10 is a side elevational view of the opposite side thereof; FIG. 11 is a front elevational view thereof; FIG. 12 is a rear elevational view thereof; FIG. 13 is a top plan view thereof; and, FIG. 14 is a bottom plan view thereof. The broken line showings form no part of the claimed design.

1 Claim, 6 Drawing Sheets



(56)

References Cited

U.S. PATENT DOCUMENTS

D441,739 S *	5/2001	Hayes	D14/223	7,346,180 B2 *	3/2008	Ham	H04R 1/105 381/370
D443,261 S *	6/2001	Yuyama	D14/223	D573,137 S *	7/2008	Polito	D14/223
6,418,230 B1 *	7/2002	McDonald	H04R 1/10 379/426	D580,910 S *	11/2008	Kim	D14/205
D470,129 S *	2/2003	Hlas	D14/205	D593,075 S *	5/2009	Williams	D14/223
D474,178 S *	5/2003	Eroma	D14/205	D593,076 S *	5/2009	Kung	D14/223
6,785,396 B2 *	8/2004	Shirata	H04R 1/105 381/374	D603,847 S *	11/2009	Chung	D14/223
D510,575 S *	10/2005	Leong	D14/205	D617,780 S *	6/2010	Jaakkola	D14/223
D518,816 S *	4/2006	Naito	D14/205	D622,265 S *	8/2010	Rye	D14/223
D532,110 S *	11/2006	Bailey	D24/174	D639,787 S *	6/2011	Quek	D14/223
D535,642 S *	1/2007	Garcia	D14/206	D695,719 S *	12/2013	Burgett	D14/223
D543,968 S *	6/2007	Wong	D14/205	D719,131 S *	12/2014	Toelle	D14/205
D563,394 S *	3/2008	Donaldson	D14/223	D719,132 S *	12/2014	Toelle	D14/205
					D742,355 S *	11/2015	Toelle	D14/205
					D742,356 S *	11/2015	Toelle	D14/205
					2009/0285434 A1 *	11/2009	Williams	H04R 1/1091 381/375

* cited by examiner

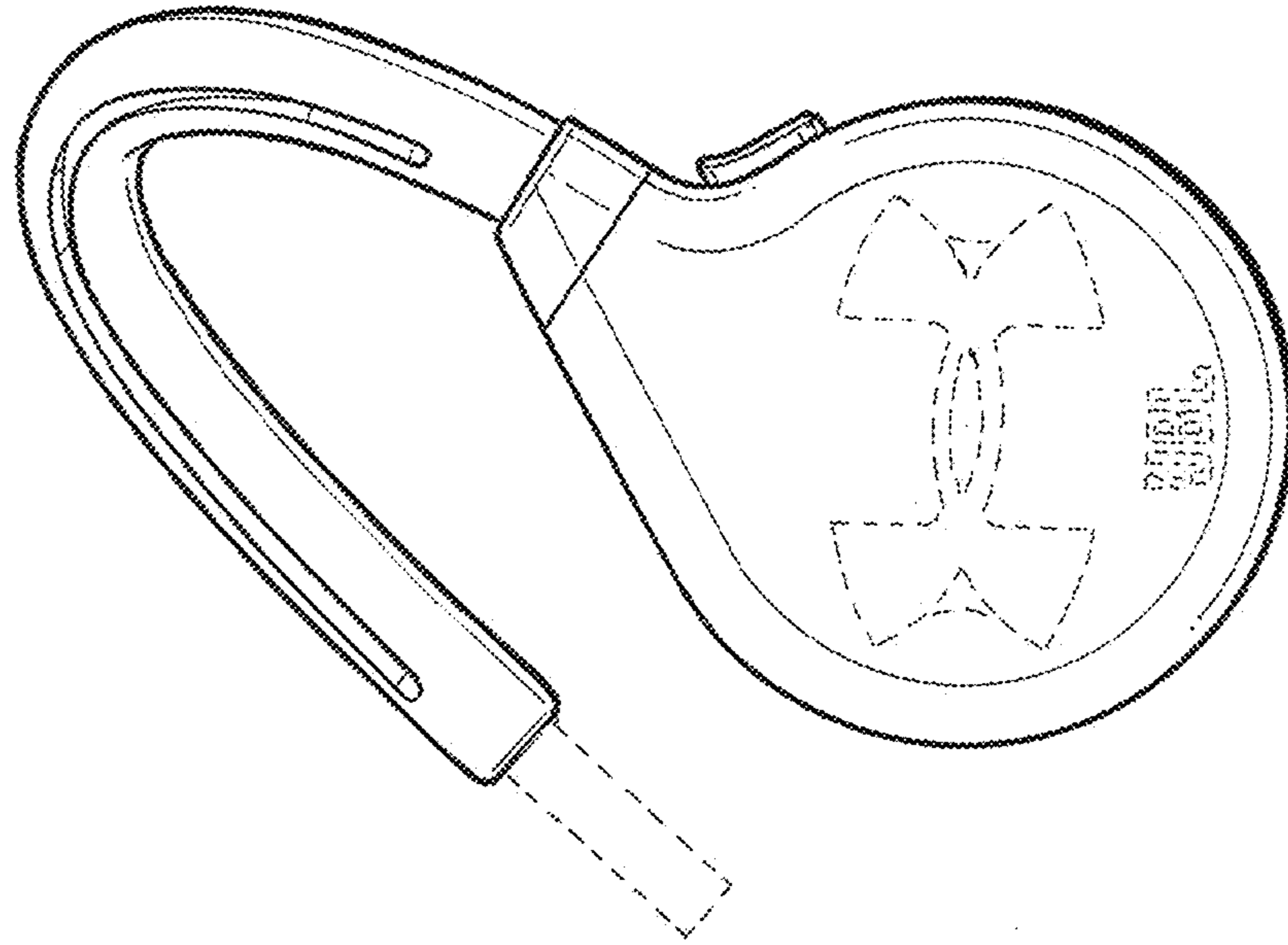


FIG. 2

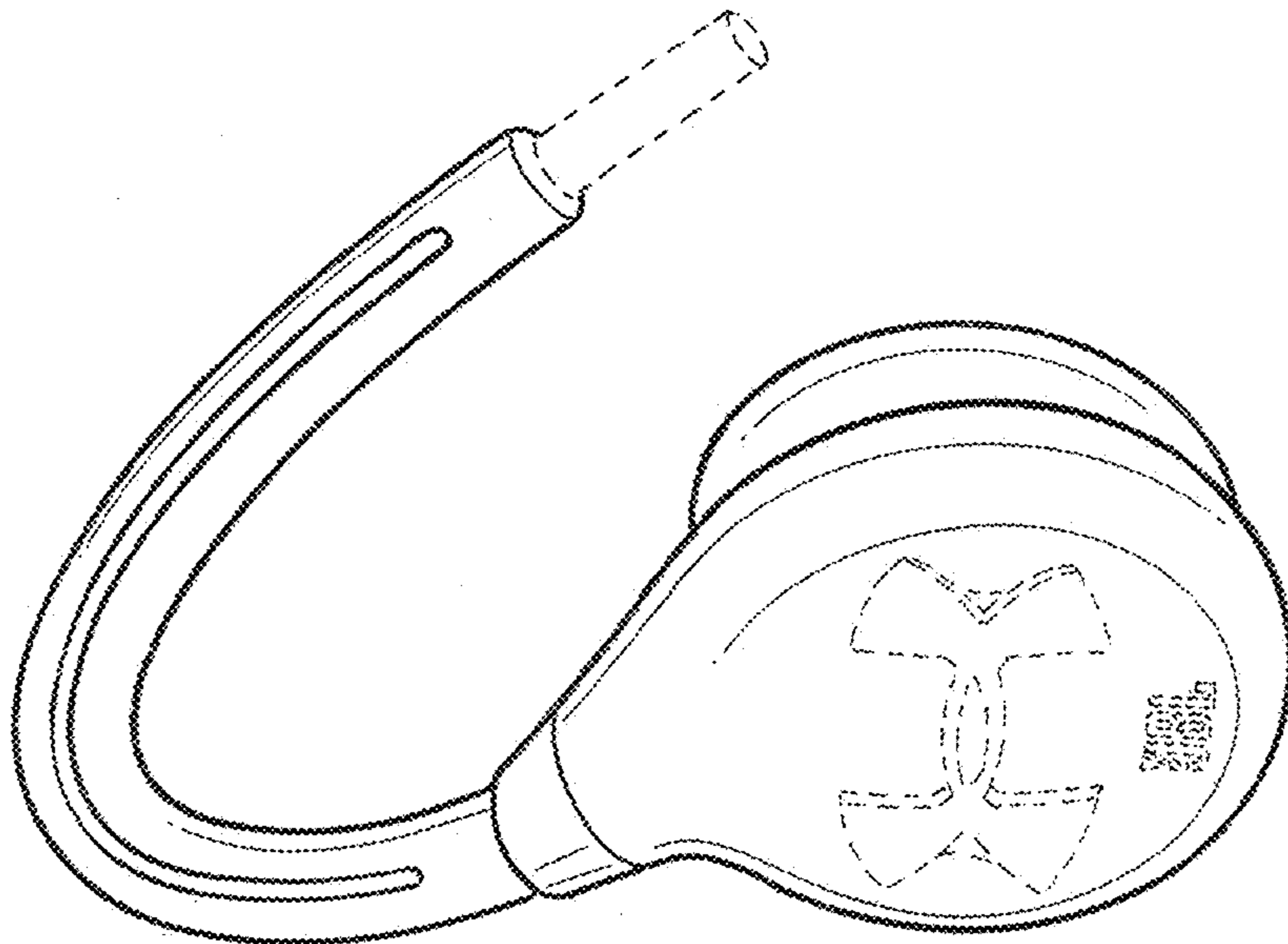


FIG. 1

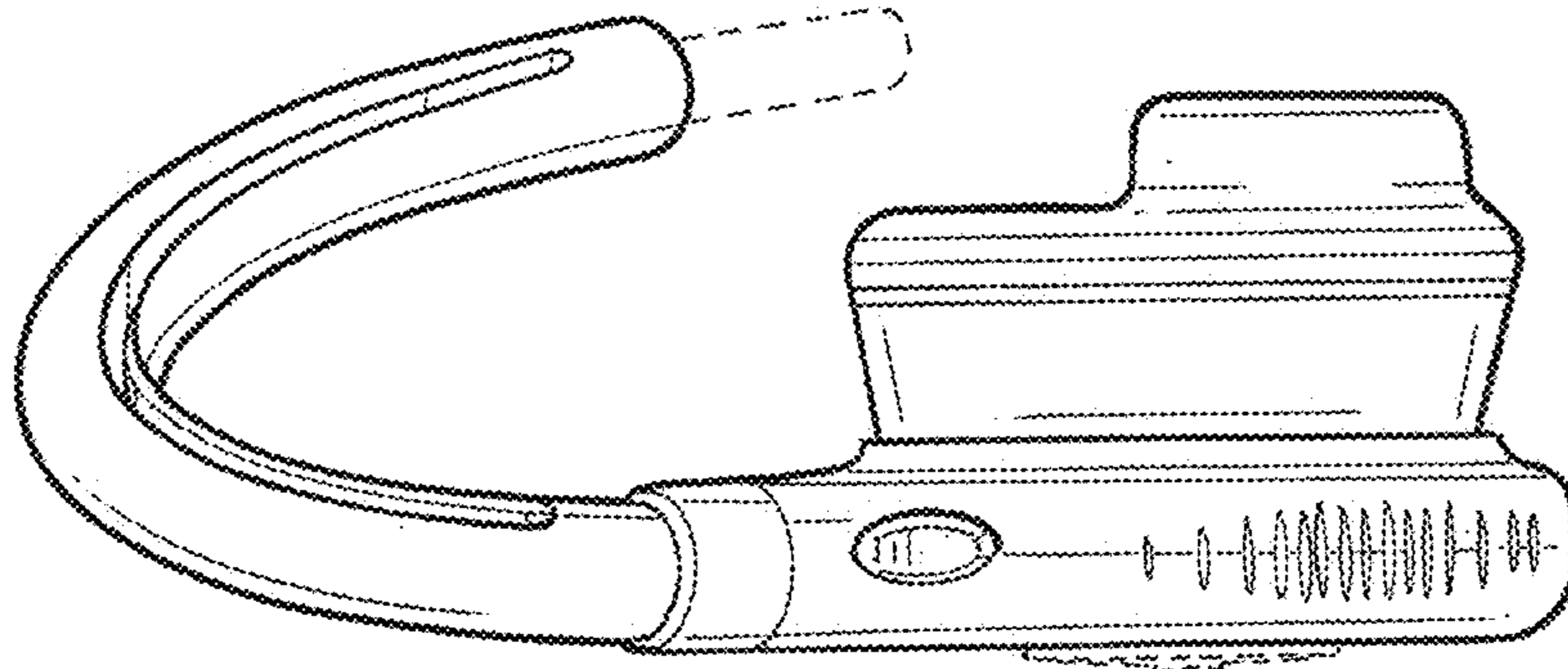


FIG. 4

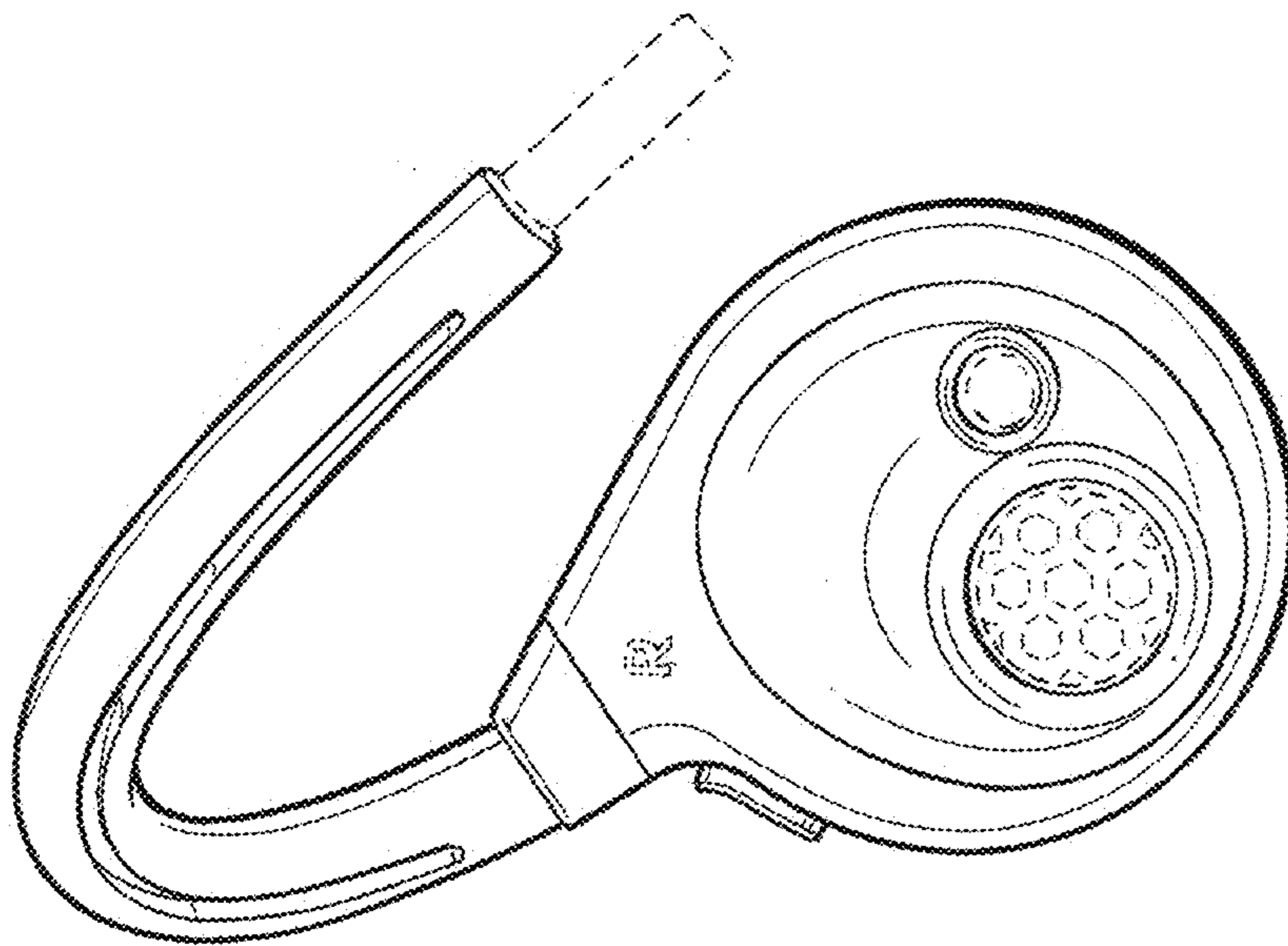


FIG. 3

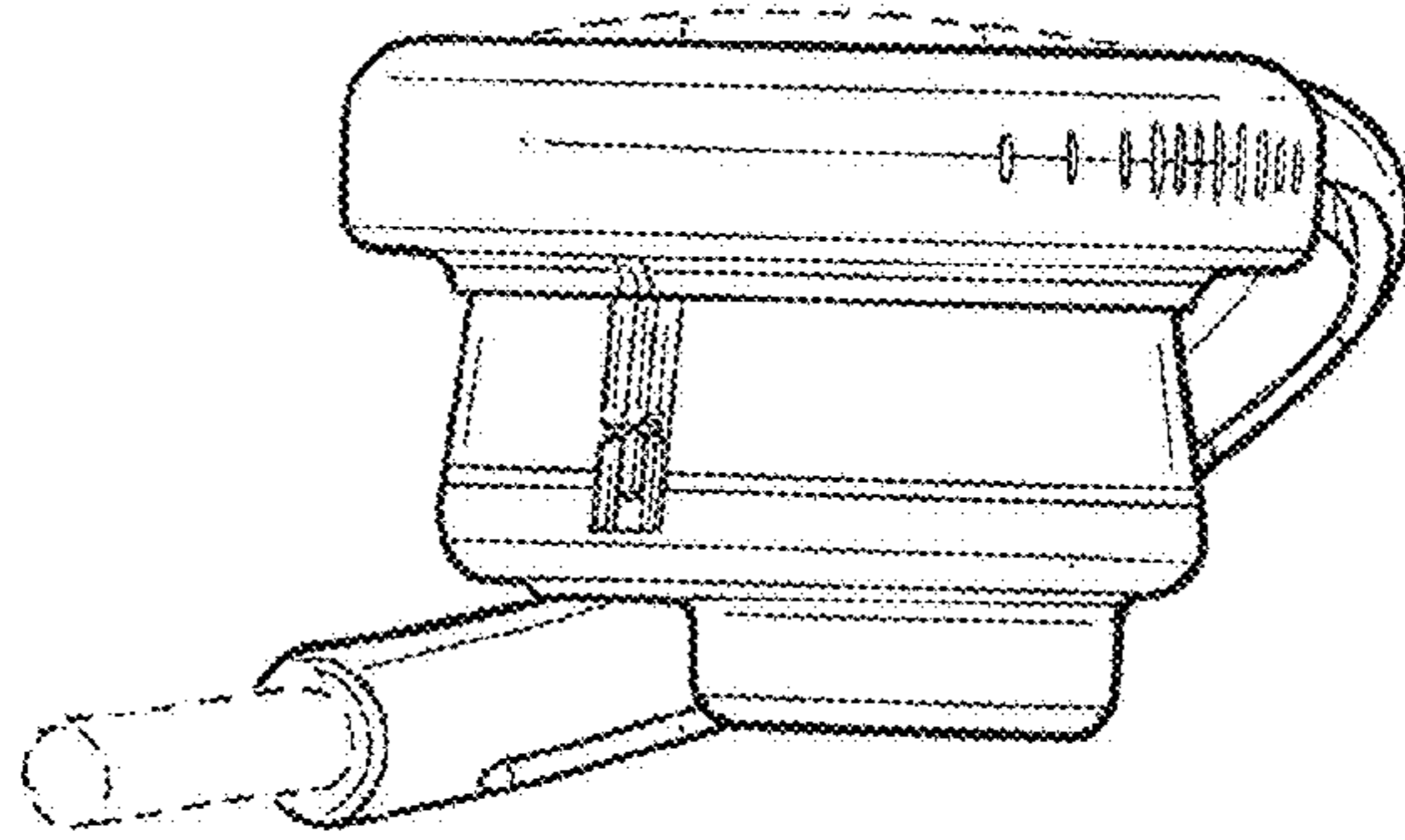


FIG. 7

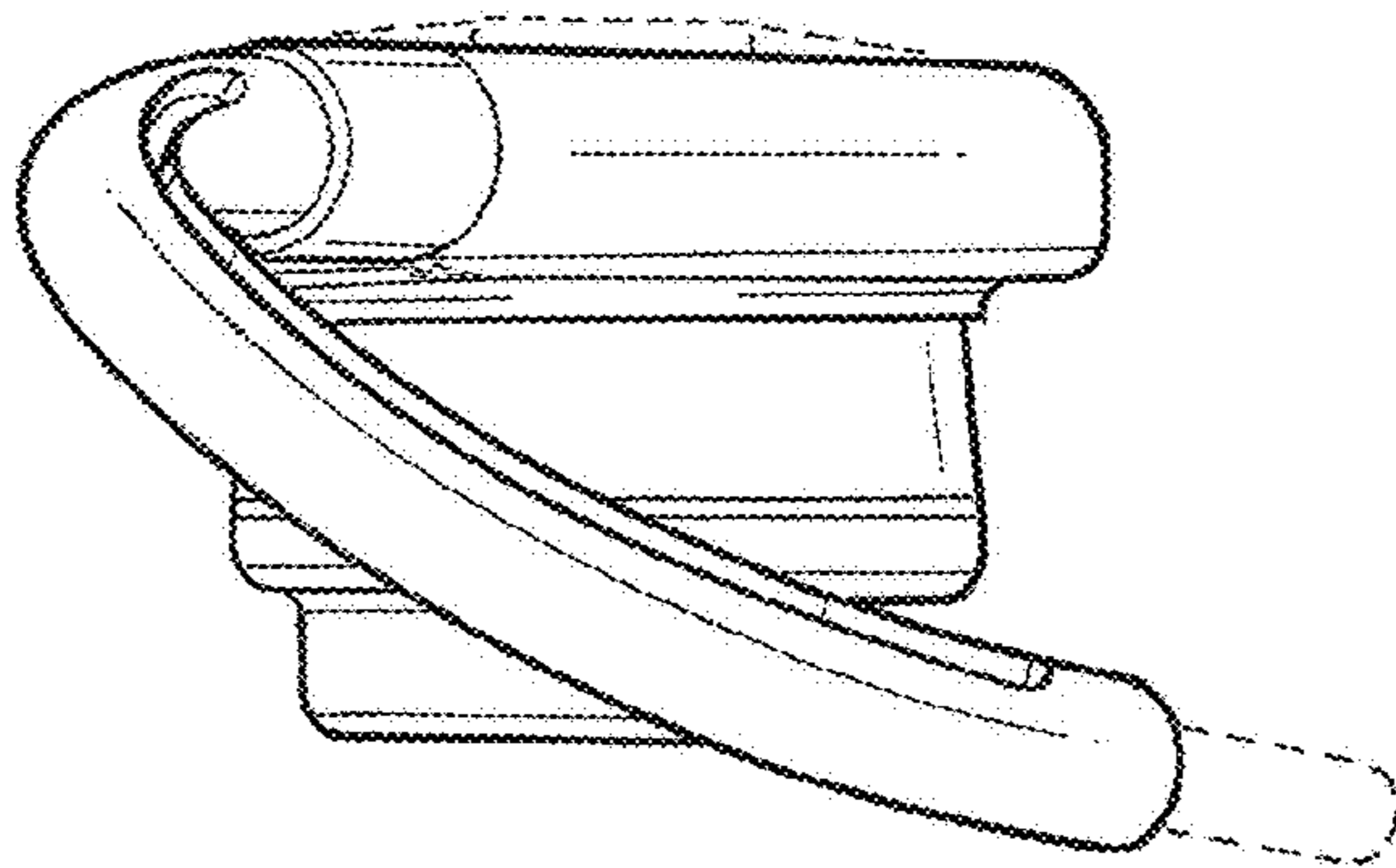


FIG. 6

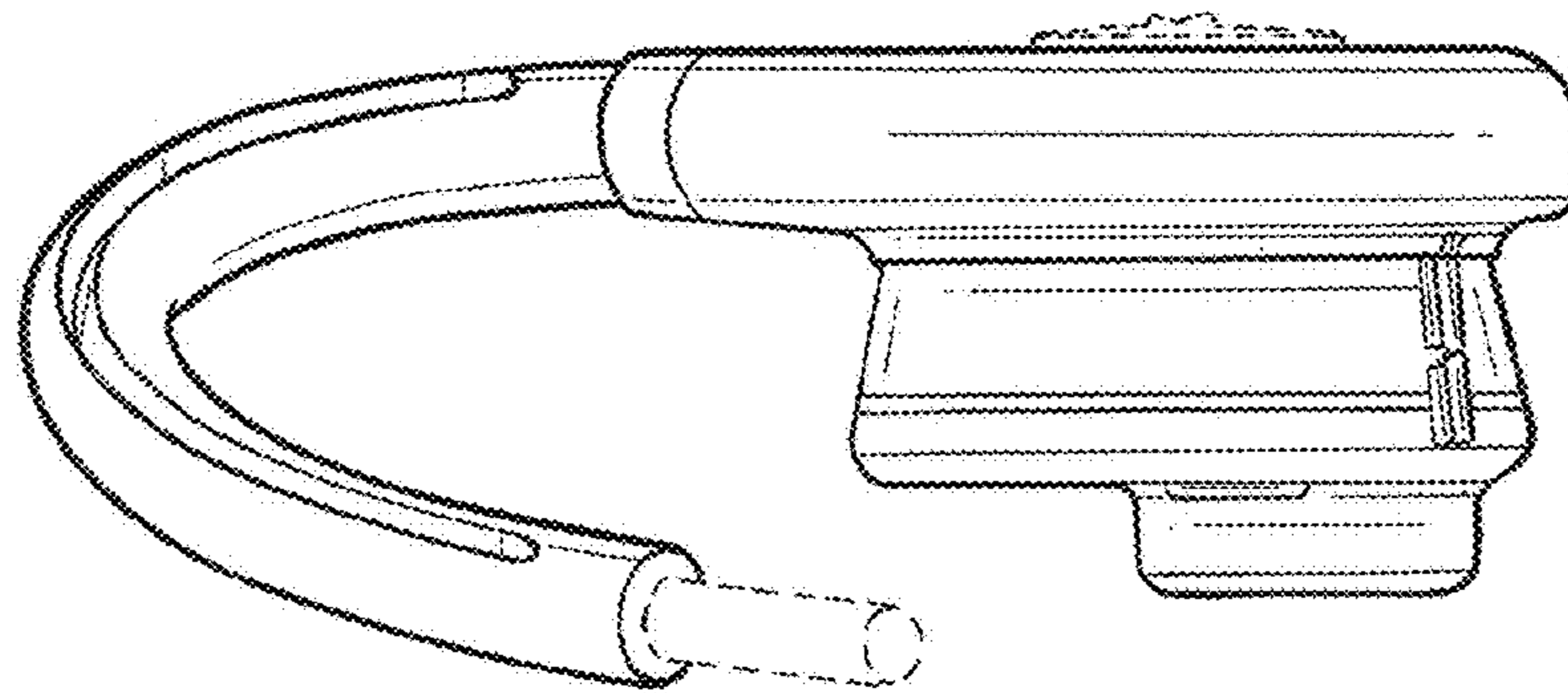


FIG. 5

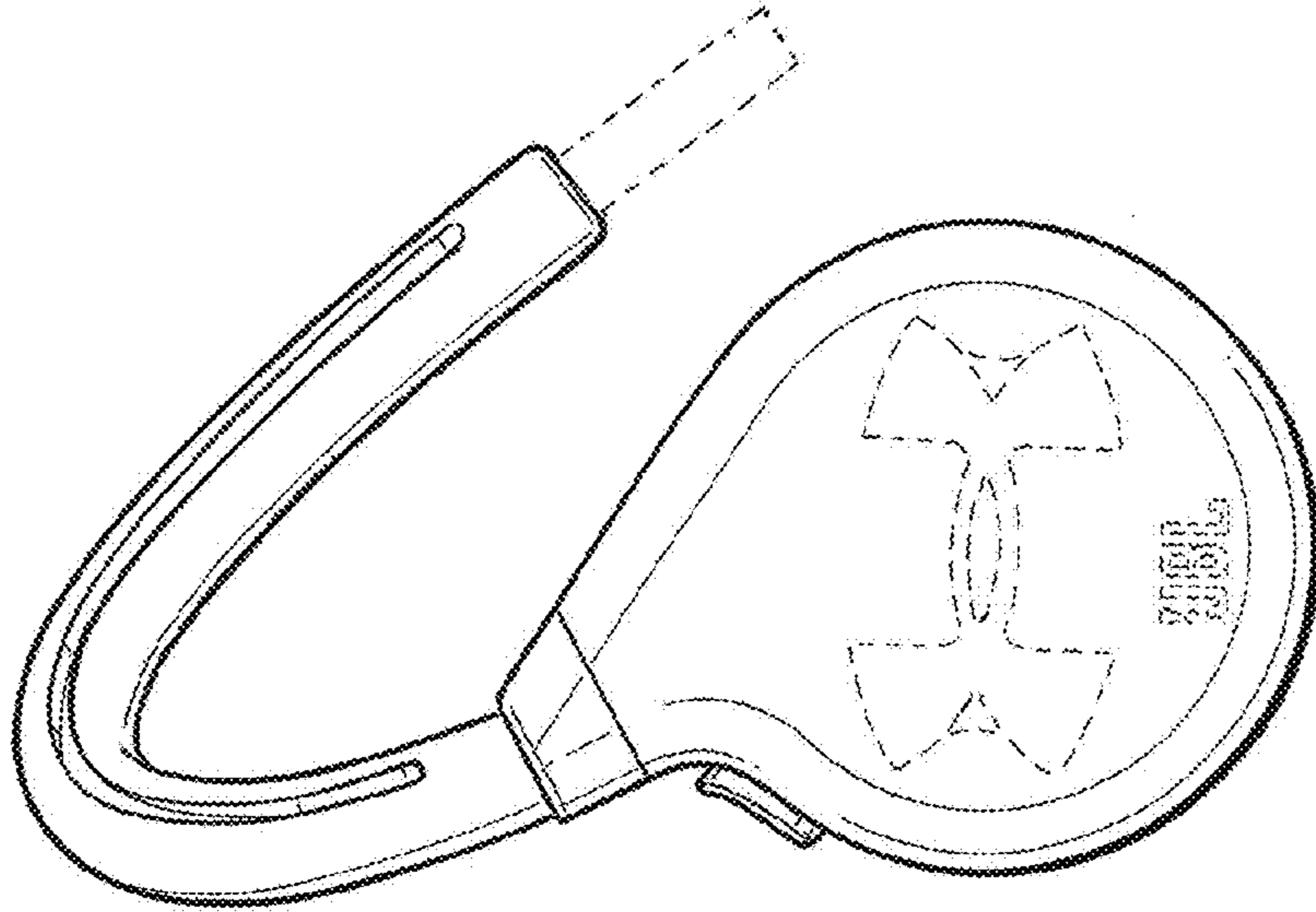


FIG. 9

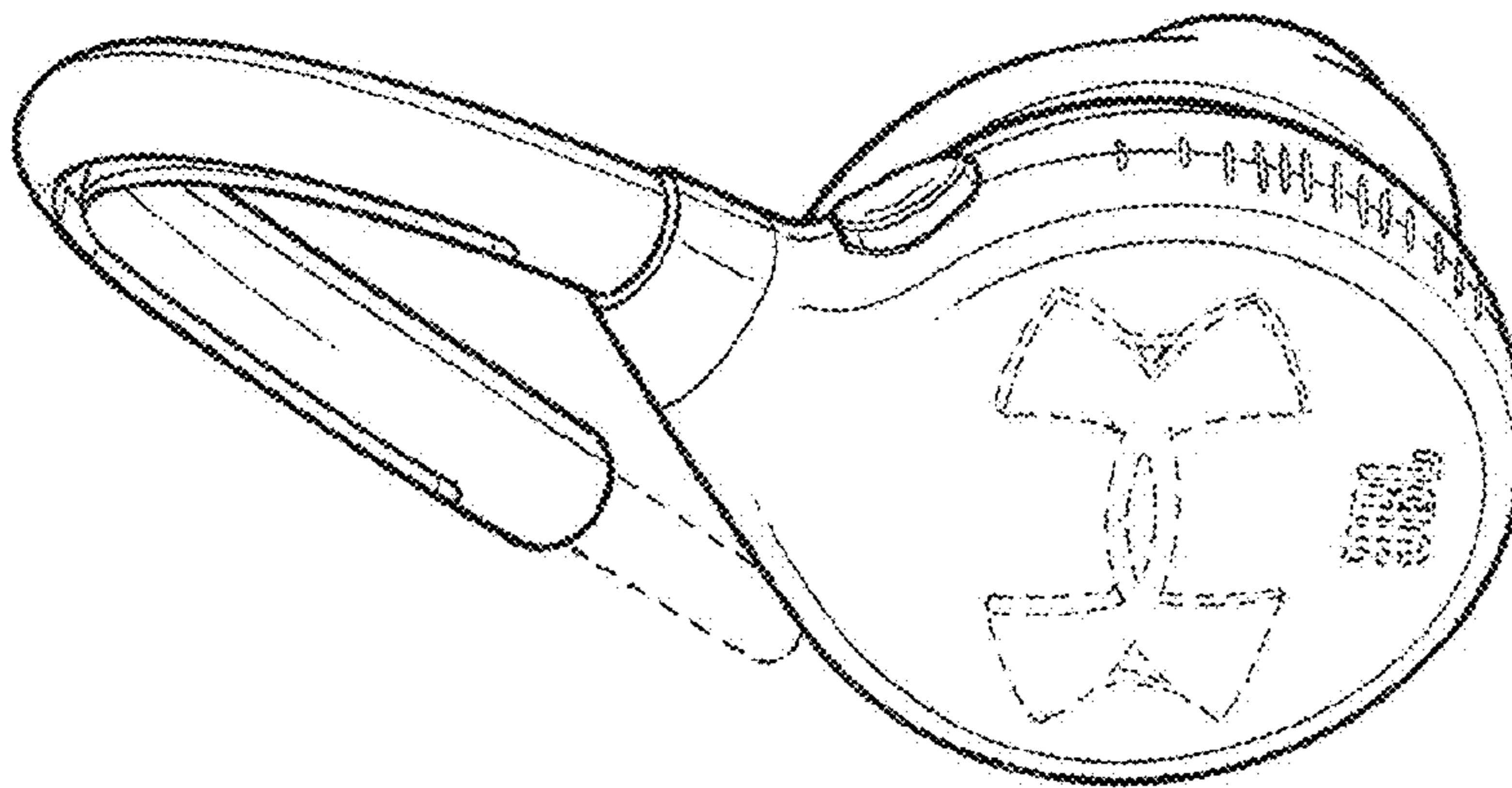


FIG. 8

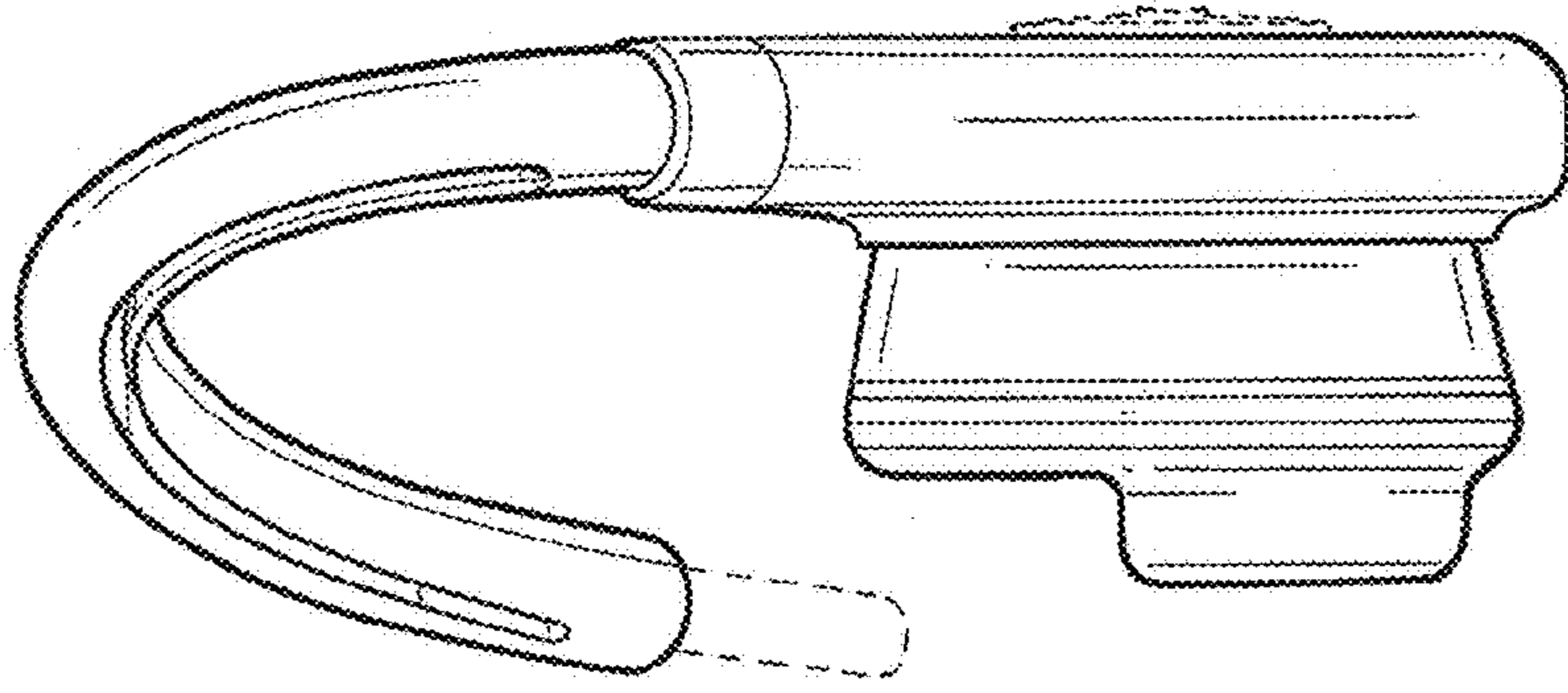


FIG. 11

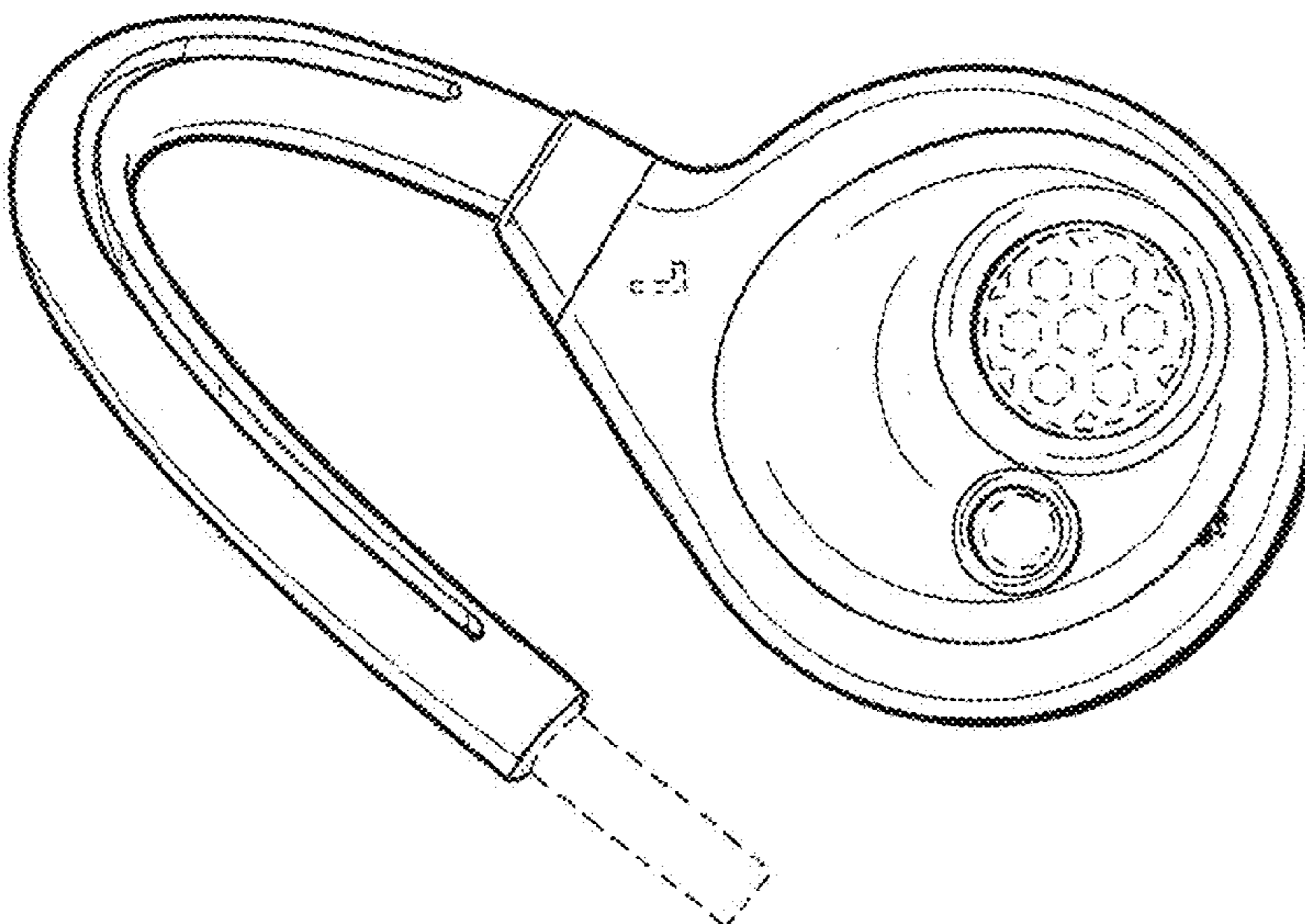


FIG. 10

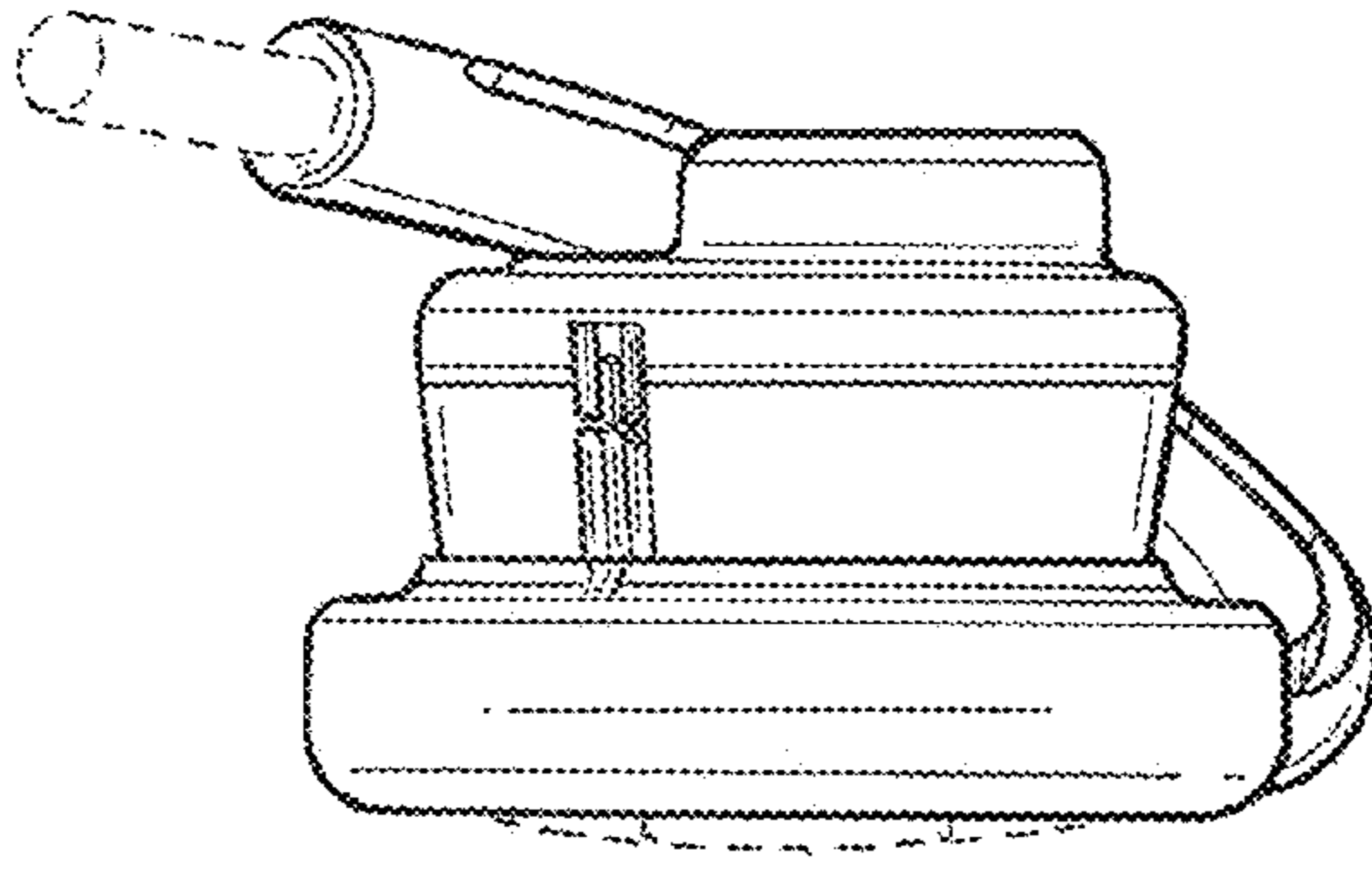


FIG. 14

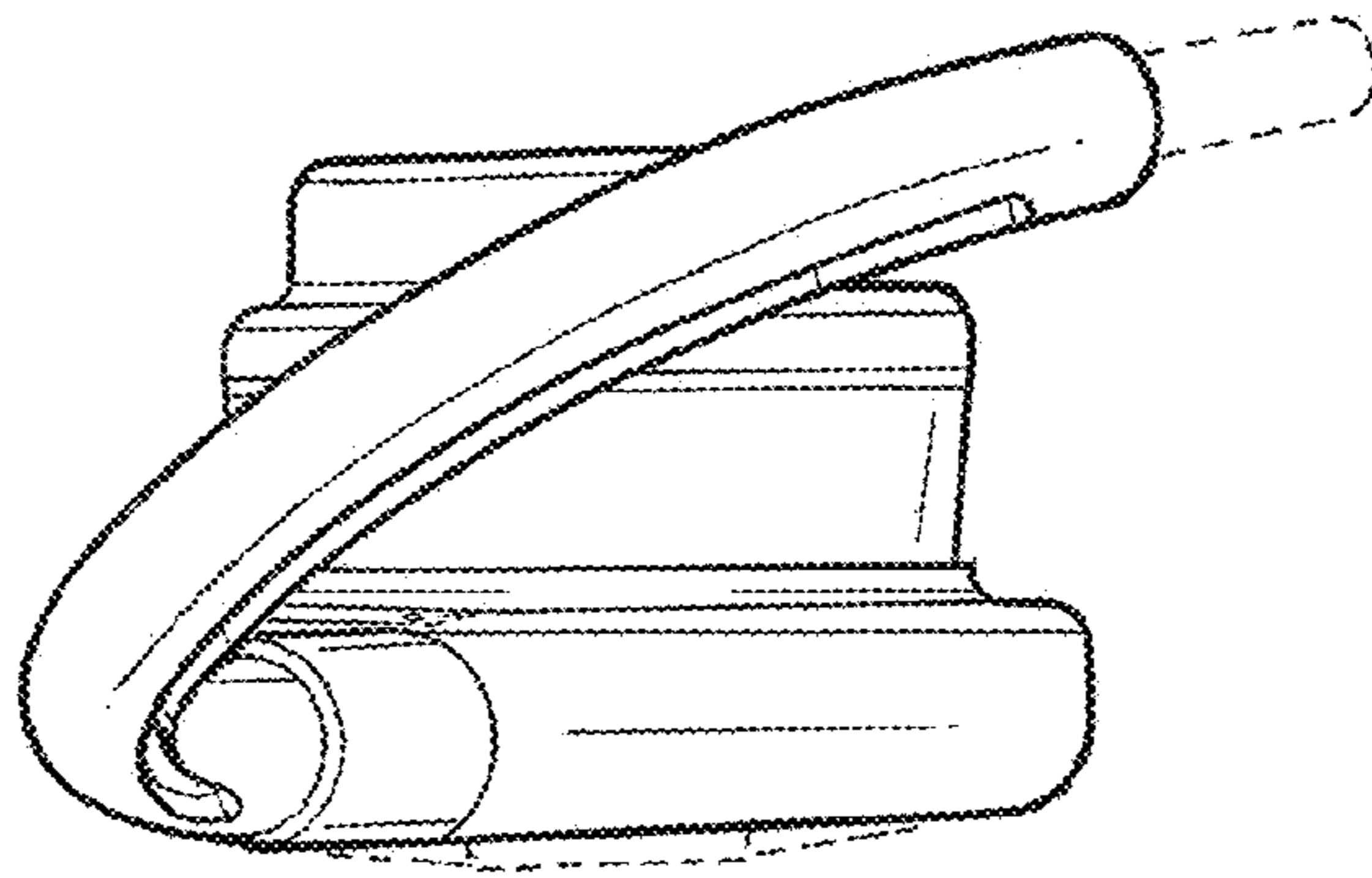


FIG. 13

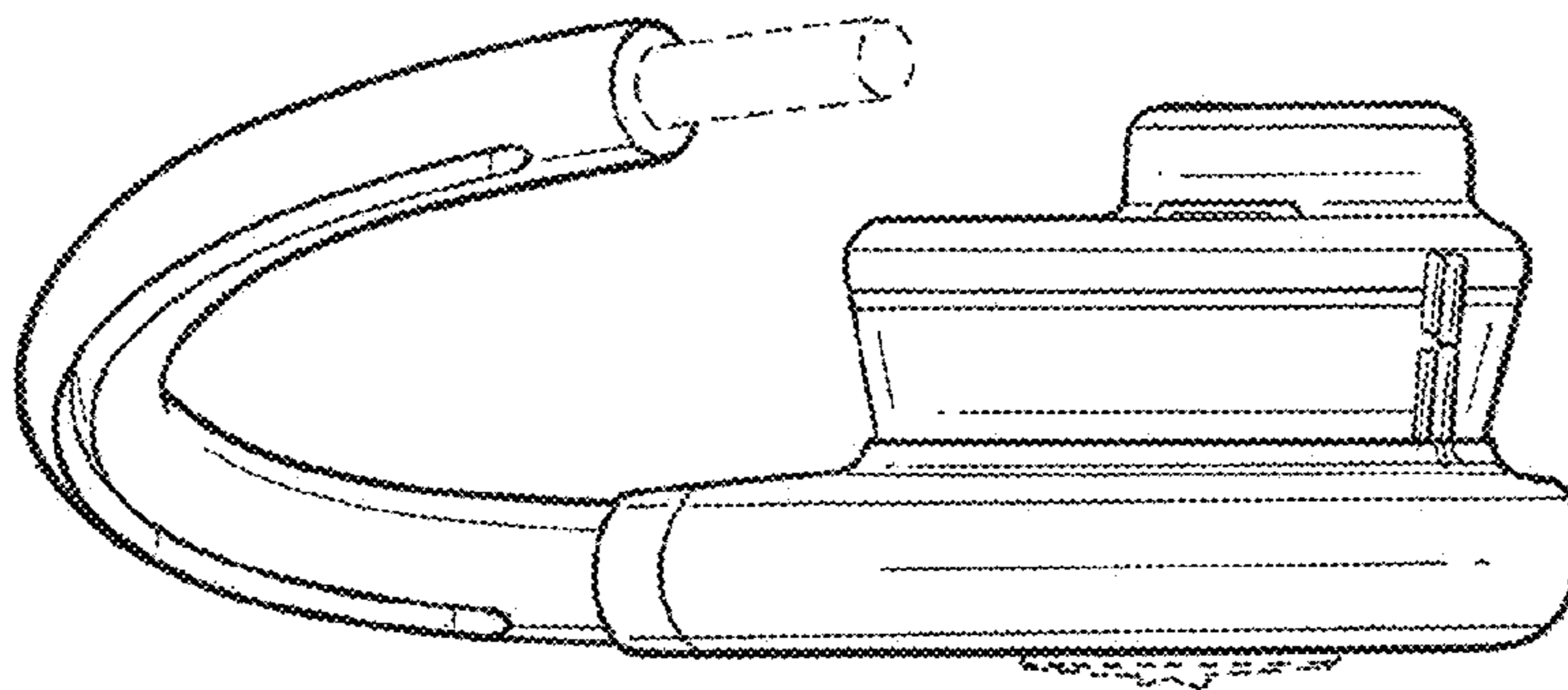


FIG. 12