



US00D773437S

(12) **United States Design Patent**
Lee et al.

(10) **Patent No.:** **US D773,437 S**
(45) **Date of Patent:** **** Dec. 6, 2016**

- (54) **PORTABLE EARSET**
- (71) Applicant: **LG ELECTRONICS INC.**, Seoul (KR)
- (72) Inventors: **Kunwoo Lee**, Seoul (KR); **Jaeyoung Kim**, Seoul (KR)
- (73) Assignee: **LG ELECTRONICS INC.**, Seoul (KR)
- (**) Term: **15 Years**
- (21) Appl. No.: **29/534,886**
- (22) Filed: **Jul. 31, 2015**
- (30) **Foreign Application Priority Data**
Feb. 3, 2015 (KR) 30-2015-0005925
- (51) **LOC (10) Cl.** **14-01**
- (52) **U.S. Cl.**
USPC **D14/223**
- (58) **Field of Classification Search**
USPC D14/223, 205, 217, 221, 224, 149, 150, D14/248, 253, 192; D13/108; 320/113; 181/129, 181/130, 135; 379/430, 431; 381/380, 381, 322, 381/312, 384, 328; 455/90.1, 575.2
CPC H04R 25/00; H04R 1/10
See application file for complete search history.

- (56) **References Cited**
U.S. PATENT DOCUMENTS
1,852,130 A * 4/1932 Schier H04R 25/656 381/328
2,671,149 A * 3/1954 Hubbell H01H 21/14 200/275
2,971,065 A * 2/1961 Busse H04R 25/456 381/104
D215,375 S * 9/1969 Doggert D10/118
3,496,306 A * 2/1970 Pollak H04R 25/608 29/896.21

- 3,537,909 A * 11/1970 Horton H01M 2/1044 206/0.84
- D232,863 S * 9/1974 Tong D14/192
- 4,457,396 A * 7/1984 James H04R 1/345 181/129
- 4,539,708 A * 9/1985 Norris H04B 1/088 455/100
- D287,764 S * 1/1987 Topholm D24/174
- D287,765 S * 1/1987 Topholm D24/174
- D300,528 S * 4/1989 Drane D13/171
- D321,881 S * 11/1991 Hopewell D14/192
- D344,949 S * 3/1994 So D14/192
- D346,598 S * 5/1994 McCay D14/137
- D367,274 S * 2/1996 Gobindram D14/143
- D374,658 S * 10/1996 Bever D13/171
- D377,337 S * 1/1997 Schaeffer D13/171
- 5,594,314 A * 1/1997 Hagiuda H01M 10/48 320/110
- D382,307 S * 8/1997 Sharpe, III D14/188
- D384,072 S * 9/1997 Ng D14/192

(Continued)

Primary Examiner — Paula Greene
(74) *Attorney, Agent, or Firm* — Birch, Stewart, Kolasch & Birch, LLP

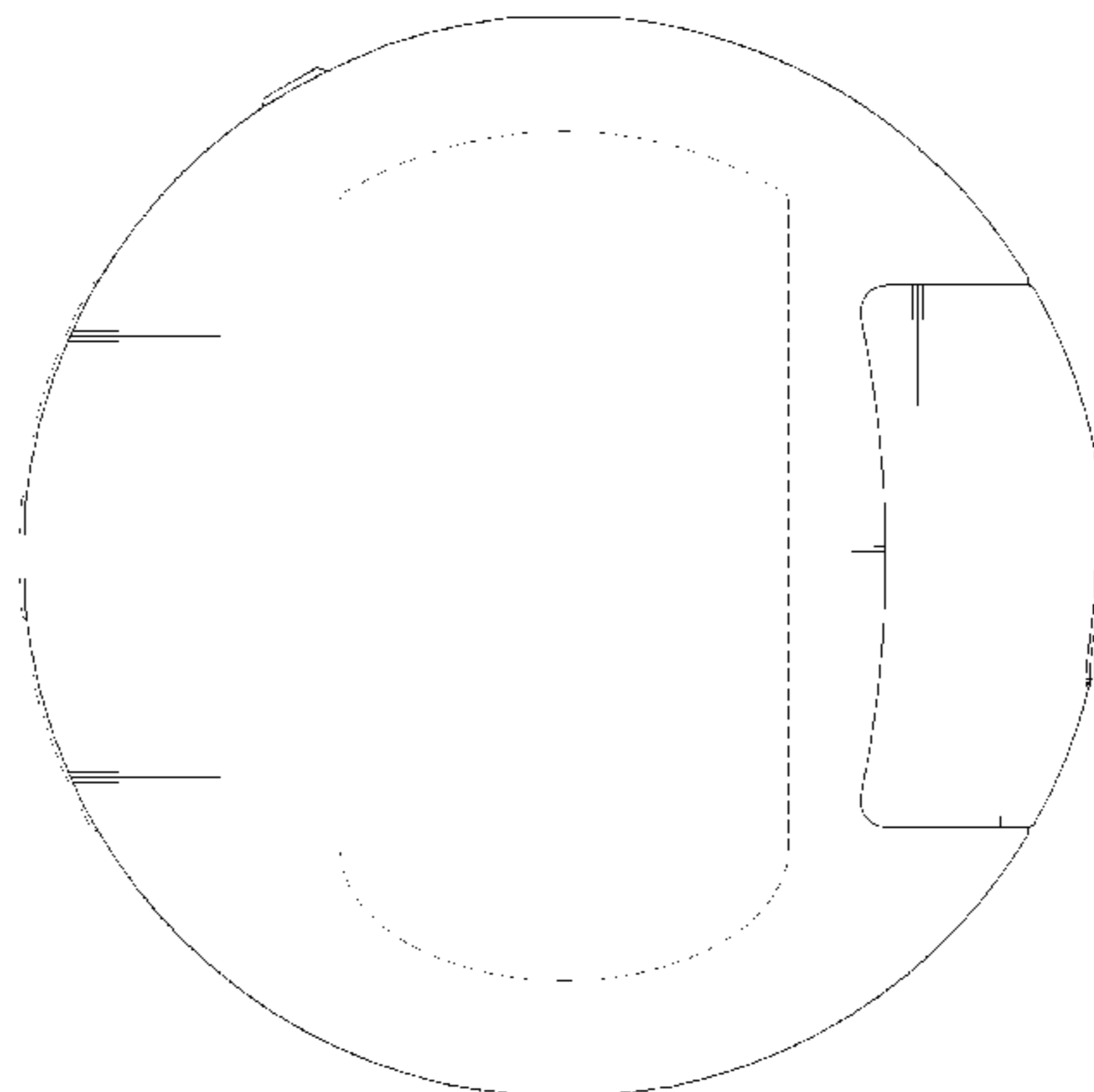
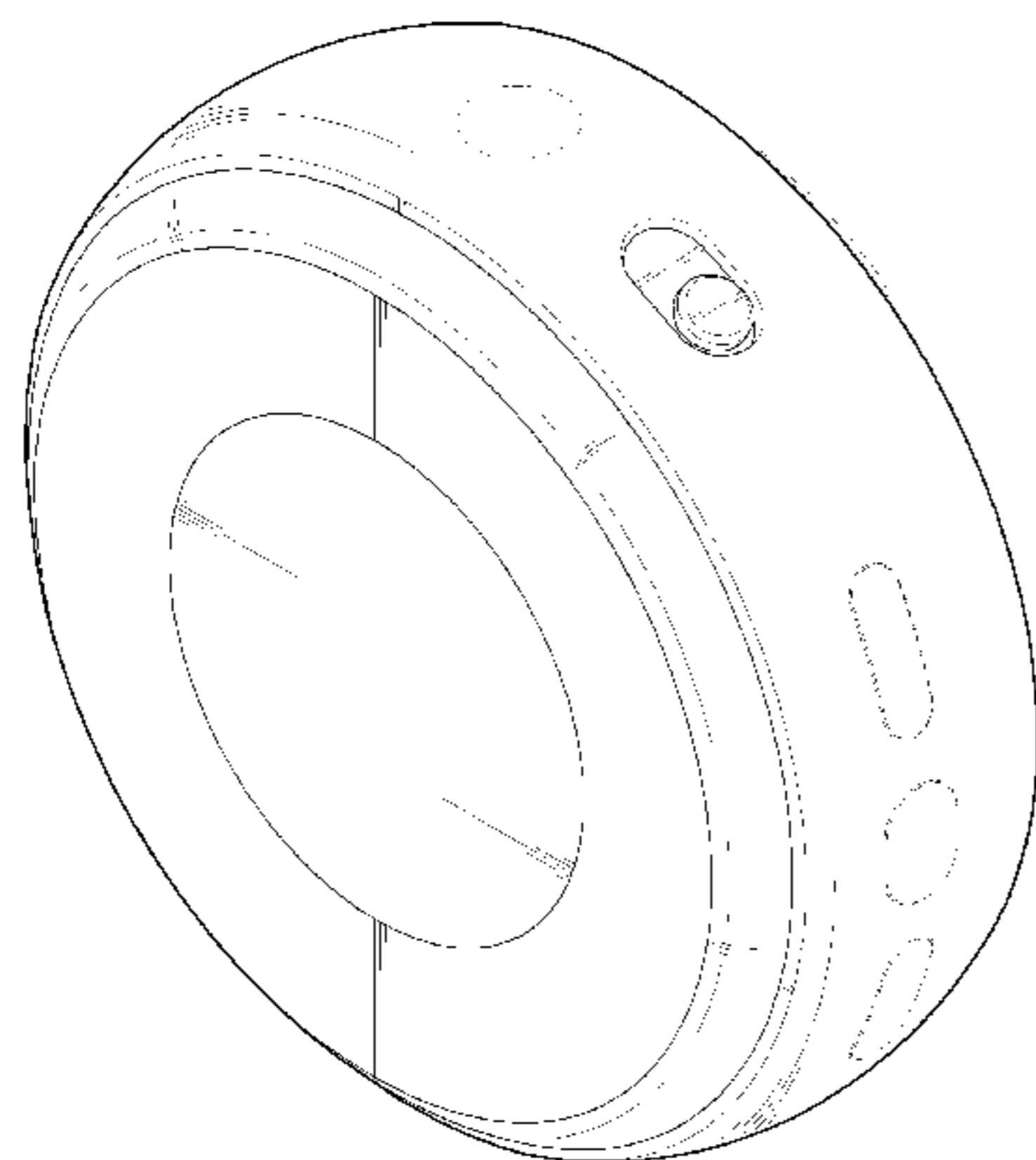
(57) **CLAIM**

The ornamental design for a portable earset, as shown and described.

DESCRIPTION

FIG. 1 is a perspective view of a portable earset showing our new design;
FIG. 2 is a front view thereof;
FIG. 3 is a rear view thereof;
FIG. 4 is a left side view thereof;
FIG. 5 is a right side view thereof;
FIG. 6 is a top plan view thereof;
FIG. 7 is a bottom plan view thereof; and,
FIG. 8 is a reference view thereof showing the earset is detached from the subject design.
The broken lines depict portions of the portable earset that form no part of the claimed design.

1 Claim, 7 Drawing Sheets



(56)

References Cited

U.S. PATENT DOCUMENTS

- | | | | | | | | |
|---------------|---------|-----------------|------------|-------------------|---------|------------------|------------|
| D388,721 S * | 1/1998 | Kinner | D10/104.1 | D514,095 S * | 1/2006 | Wilson | D14/223 |
| 5,812,680 A * | 9/1998 | Glendon | H04R 25/60 | D518,477 S * | 4/2006 | Chen | D14/205 |
| | | | 381/322 | D519,985 S * | 5/2006 | Wikel | D14/205 |
| D407,985 S * | 4/1999 | Pimentel | D10/104.2 | D557,684 S * | 12/2007 | Pundsack | D14/205 |
| D417,465 S * | 12/1999 | Kreitz | D14/192 | D568,290 S * | 5/2008 | Wikel | D14/205 |
| 6,059,081 A * | 5/2000 | Patterson | H02G 11/02 | D628,153 S * | 11/2010 | Fujii | D13/108 |
| | | | 191/12.2 A | D635,961 S * | 4/2011 | Gidden | D14/223 |
| D433,005 S * | 10/2000 | McGugan | D14/142 | D643,833 S * | 8/2011 | Lee | D14/223 |
| D438,132 S * | 2/2001 | Givings | D10/104.1 | D651,590 S * | 1/2012 | Kang | D14/223 |
| D439,574 S * | 3/2001 | Katayama | D14/192 | D664,950 S * | 8/2012 | Rye | D14/223 |
| D459,299 S * | 6/2002 | Hughes | D13/108 | 8,275,166 B2 * | 9/2012 | Wu | H04R 25/00 |
| D464,630 S * | 10/2002 | Woodworth | D13/171 | | | | 381/328 |
| D467,895 S * | 12/2002 | Hirano | D14/192 | D671,096 S * | 11/2012 | Song | D14/223 |
| D469,411 S * | 1/2003 | Decosse | D13/171 | D680,063 S * | 4/2013 | Sasada | D13/103 |
| D481,709 S * | 11/2003 | Solderits | D14/223 | D685,771 S * | 7/2013 | Bertenthal | D14/223 |
| D482,674 S * | 11/2003 | Rath | D14/206 | D693,796 S * | 11/2013 | Birger | D14/223 |
| D496,029 S * | 9/2004 | Skulley | D14/224 | D714,765 S * | 10/2014 | Goransson | D14/223 |
| D505,411 S * | 5/2005 | Sakai | D14/192 | D718,234 S * | 11/2014 | Rautiainen | D13/108 |
| D505,859 S * | 6/2005 | Suzuki | D8/358 | D718,236 S * | 11/2014 | Murray | D13/108 |
| D512,417 S * | 12/2005 | Hirakawa | D14/223 | D735,131 S * | 7/2015 | Akana | D13/108 |
| D512,718 S * | 12/2005 | Mori | D14/434 | D742,823 S * | 11/2015 | Nitz | D13/103 |
| | | | | 2005/0008147 A1 * | 1/2005 | Lee | H04M 1/05 |
| | | | | | | | 379/431 |

* cited by examiner

FIG. 1

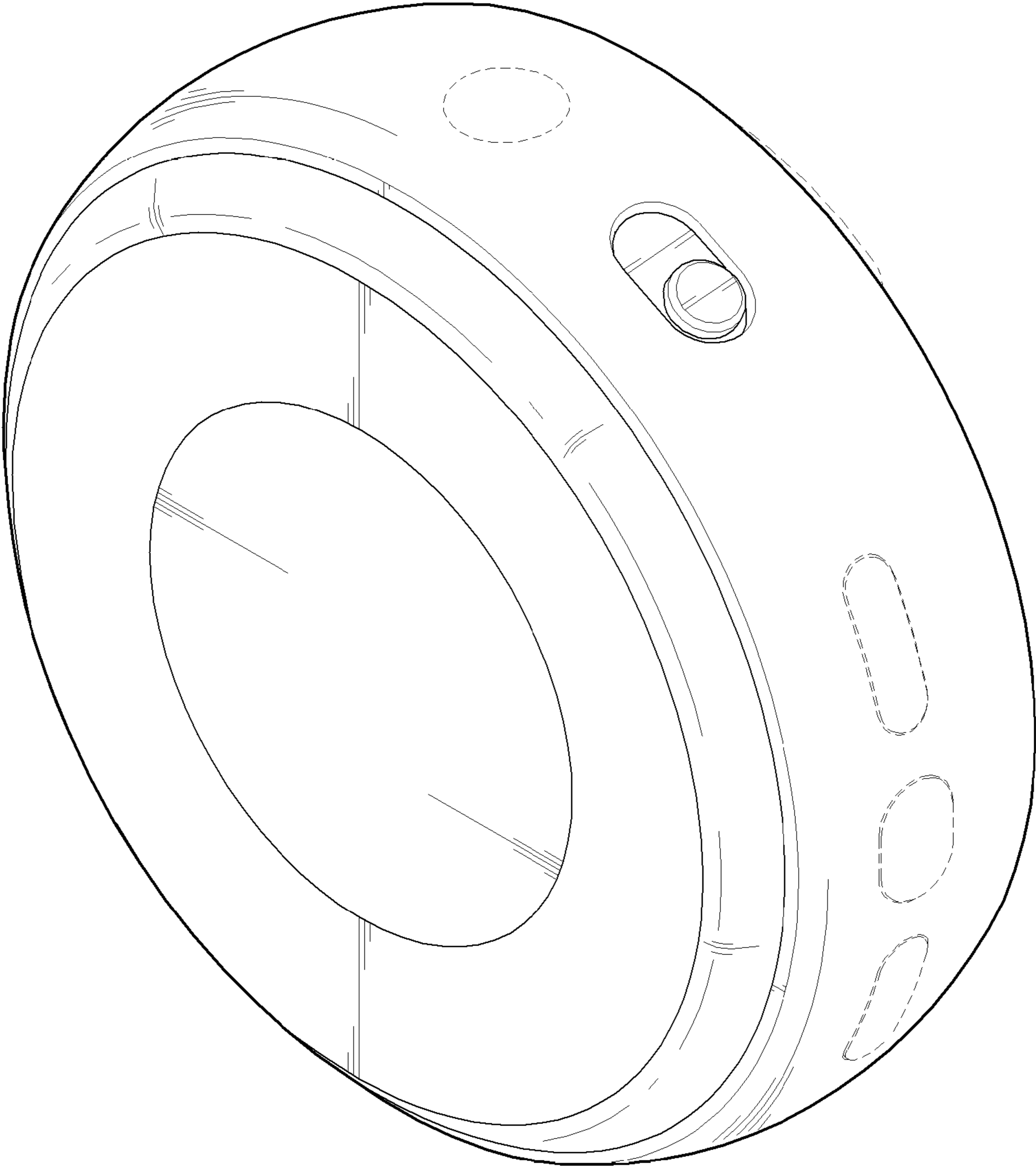


FIG. 2

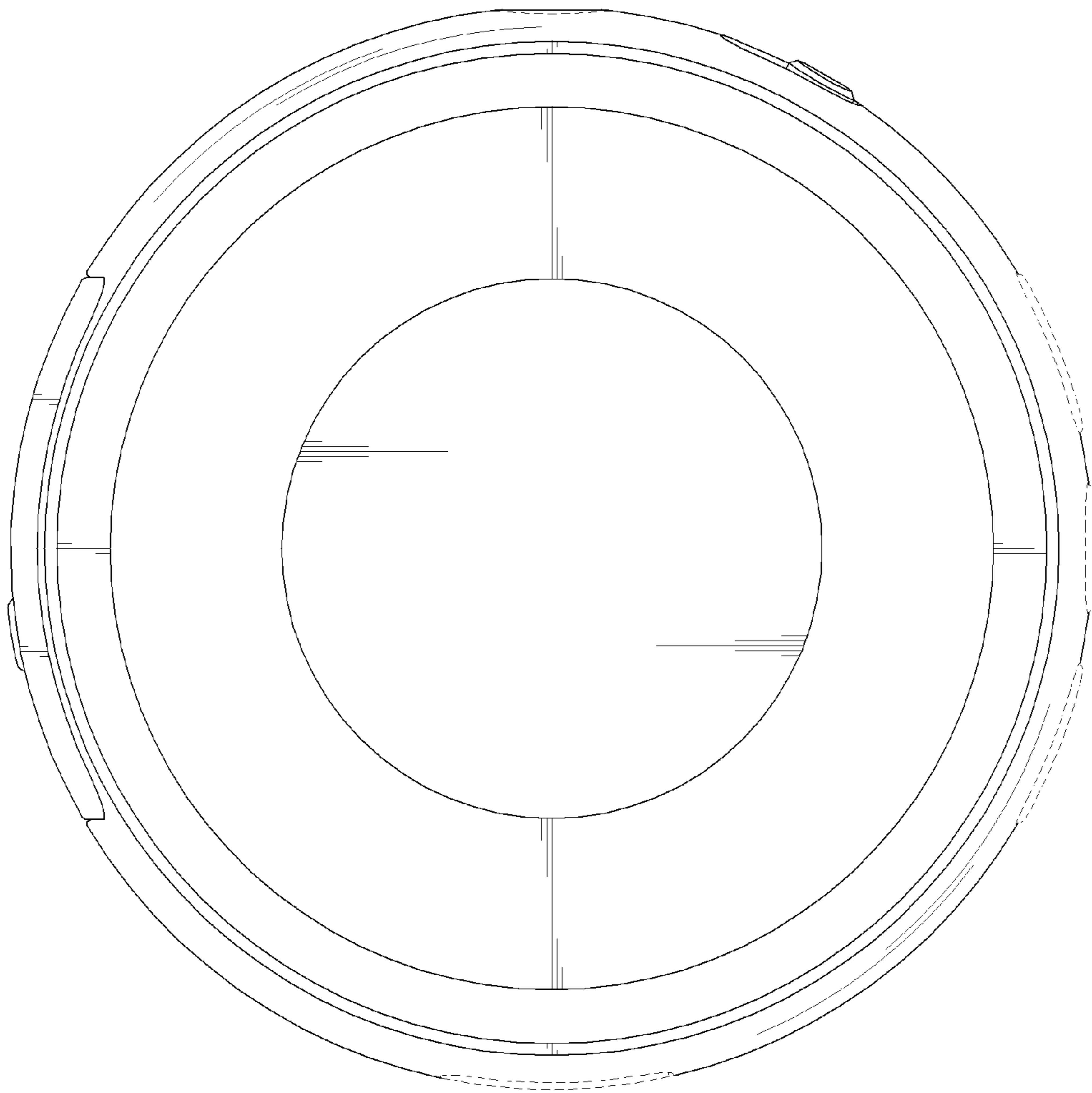


FIG. 3

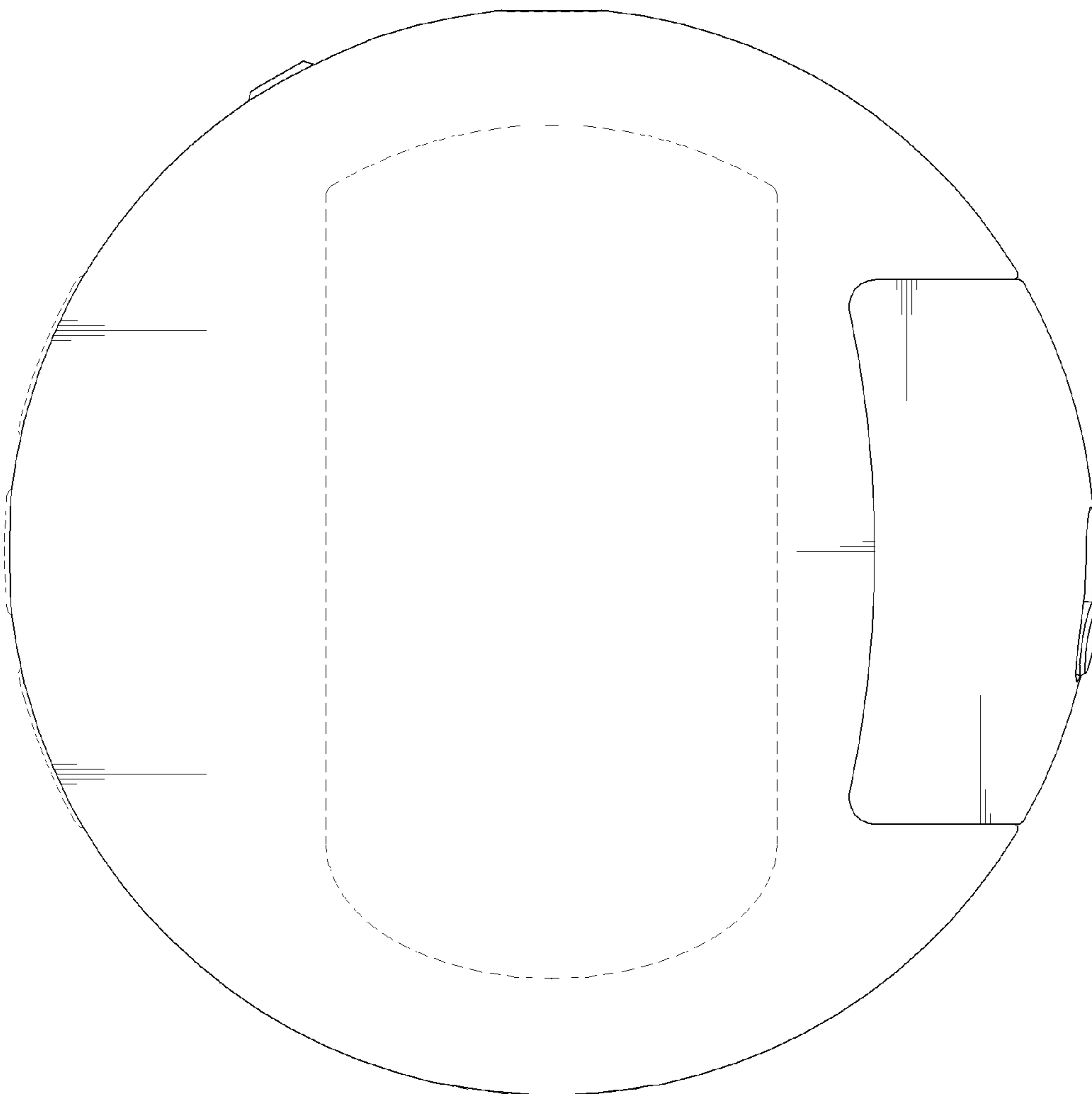


FIG. 4

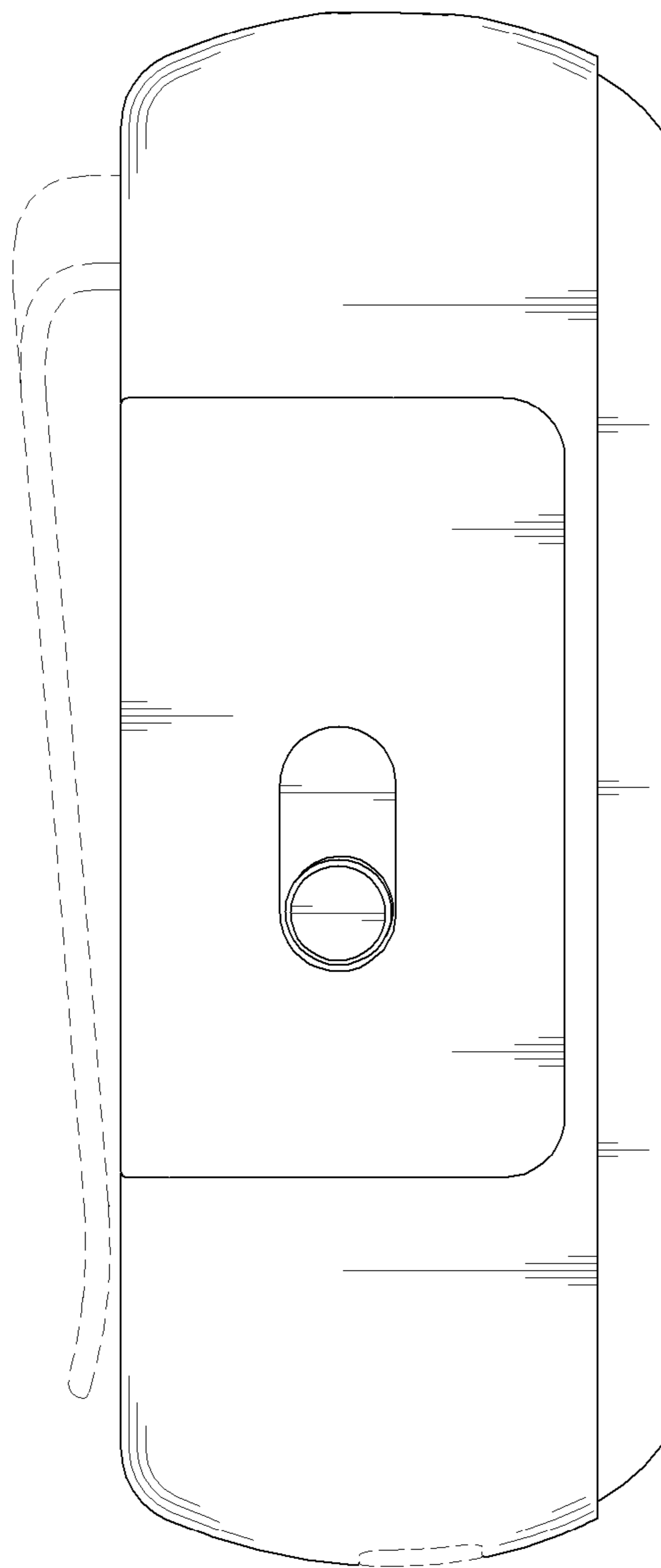


FIG. 5

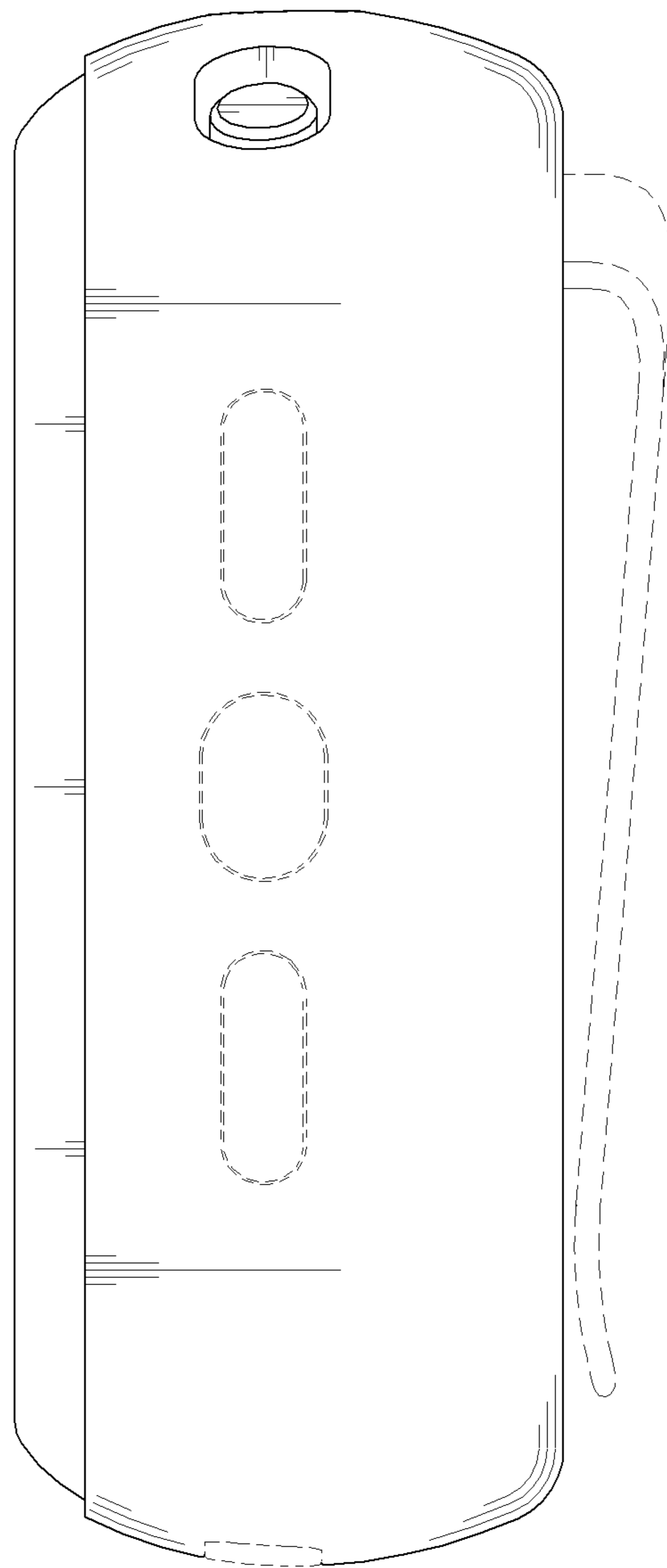


FIG. 6

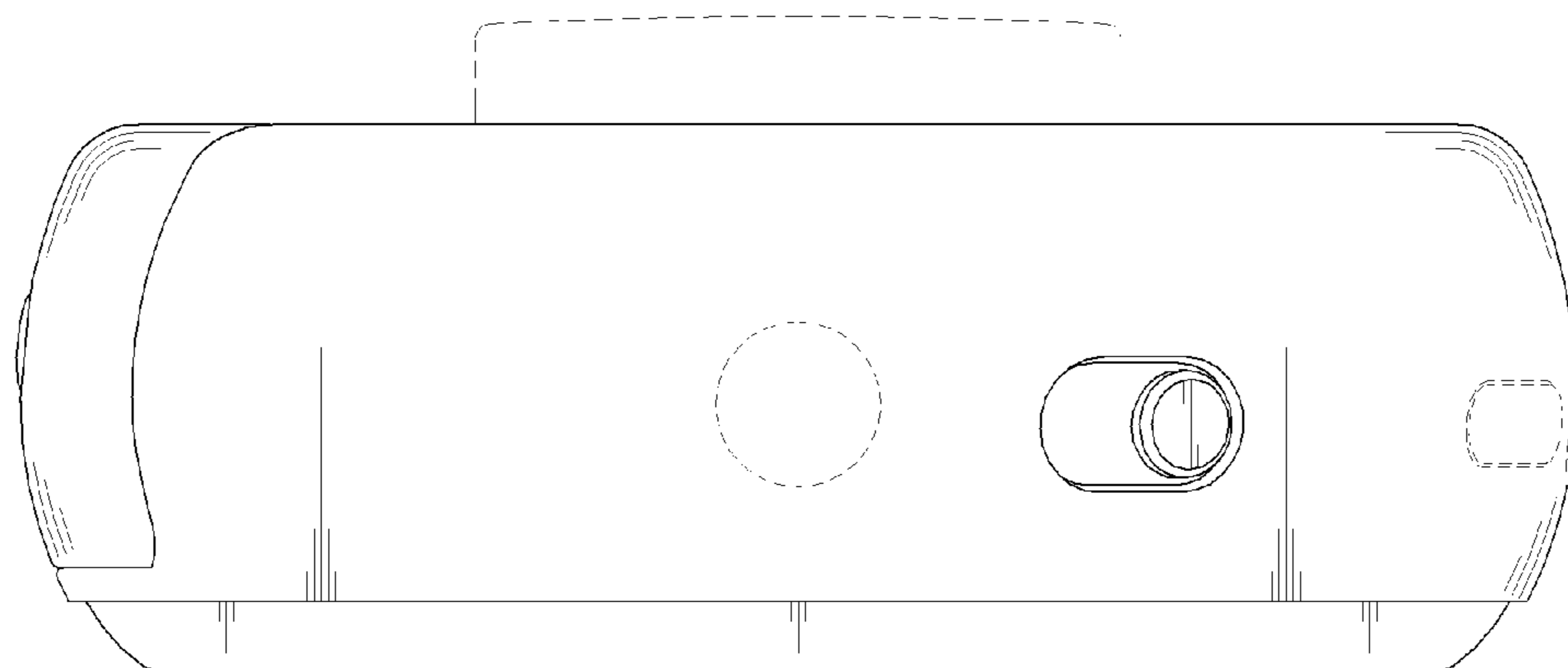


FIG. 7

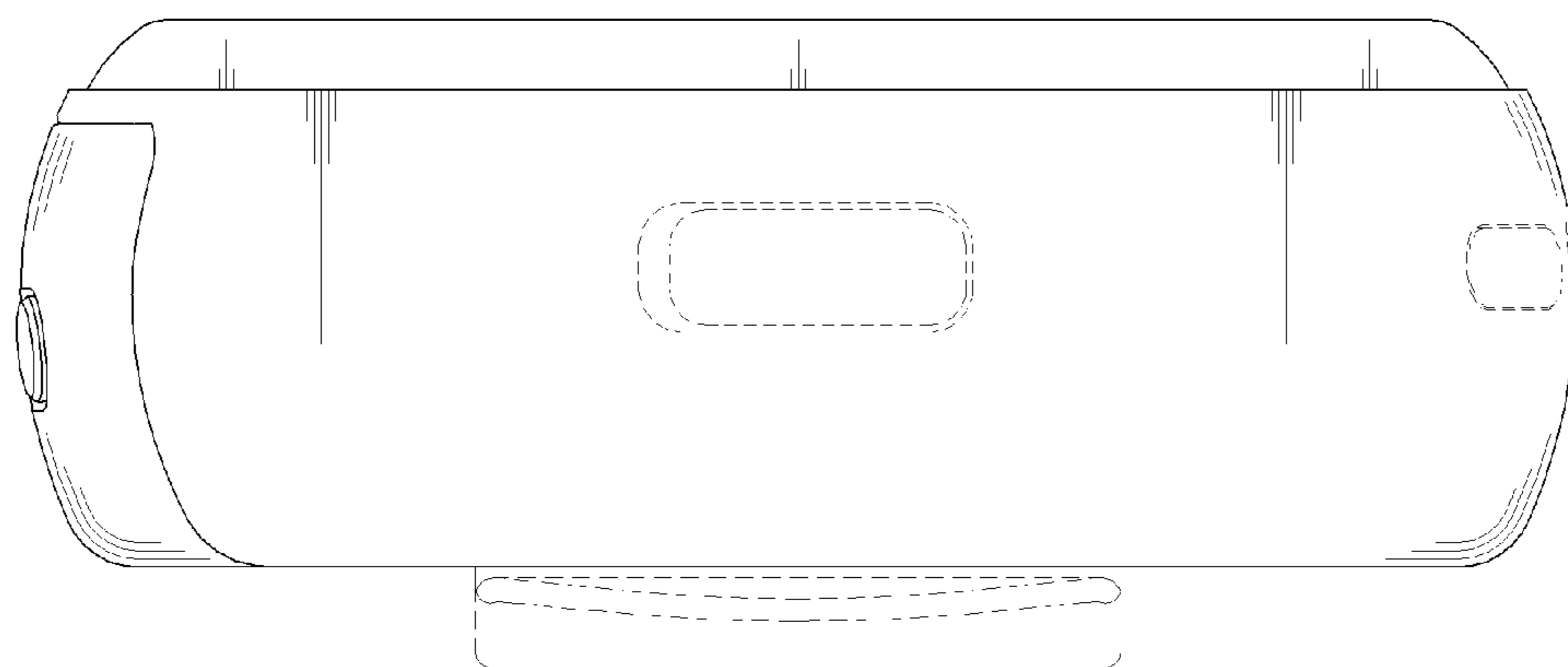


FIG. 8

