



US00D773435S

(12) **United States Design Patent**
Ott et al.

(10) **Patent No.:** **US D773,435 S**
(45) **Date of Patent:** **** Dec. 6, 2016**

- (54) **HEADPHONE**
- (71) Applicant: **Harman International Industries, Incorporated**, Northridge, CA (US)
- (72) Inventors: **Ryan Ott**, St. Louis, MO (US); **Eric Sia**, St. Louis, MO (US); **Effrosini Karayiannis**, St. Louis, MO (US)
- (73) Assignee: **Harman International Industries, Incorporated**, Northridge, CA (US)
- (**) Term: **15 Years**
- (21) Appl. No.: **29/535,249**
- (22) Filed: **Aug. 5, 2015**
- (51) **LOC (10) Cl.** **14-01**
- (52) **U.S. Cl.**
USPC **D14/205; D14/223**
- (58) **Field of Classification Search**
USPC D14/205, 223; 181/129, 130, 135;
379/430, 431; 381/380, 381, 370, 374,
381/164; 455/90.3, 569.1
CPC H04R 1/1016; H04R 1/10; H04R 25/00;
H04R 1/1066; H04R 1/105
See application file for complete search history.

(56) **References Cited**
U.S. PATENT DOCUMENTS

- 4,646,872 A * 3/1987 Kamon H04R 1/225
181/129
- 4,736,435 A * 4/1988 Yokoyama H04R 9/10
381/322
- 4,965,838 A * 10/1990 Kamon H04R 1/1016
381/322
- 4,981,194 A * 1/1991 Kamon H04R 1/08
181/129
- D331,062 S * 11/1992 Kanno D14/223
- 5,363,444 A * 11/1994 Norris H04M 1/05
379/430
- D353,379 S * 12/1994 Nakamura D14/223
- 5,373,555 A * 12/1994 Norris H04M 1/05
379/430
- 5,909,498 A * 6/1999 Smith H04R 1/1016
381/375

- 6,084,976 A * 7/2000 Lin H04R 1/1016
181/129
- D430,146 S * 8/2000 Lin D14/223
- 6,122,369 A * 9/2000 Hwang H04M 1/6058
379/420.03
- D469,753 S * 2/2003 Andre D14/205
- 6,704,429 B2 * 3/2004 Lin H04R 1/1016
181/130
- D531,169 S * 10/2006 Tokioka D14/223
- D554,109 S * 10/2007 Ledbetter D14/223
- D554,627 S * 11/2007 Gondo D14/223
- D566,687 S * 4/2008 Duarte D14/205
- D568,291 S * 5/2008 Andre D14/205
- D572,703 S * 7/2008 Ledbetter D14/205
- D575,269 S * 8/2008 Ledbetter D14/205
- D590,375 S * 4/2009 Komiyama D14/223
- D599,785 S * 9/2009 Matsuda D14/205
- D606,049 S * 12/2009 Matsuda D14/205
- D652,817 S * 1/2012 Lee D14/205
- 8,265,322 B2 * 9/2012 Uchida H04R 1/1075
381/370
- 8,391,536 B2 * 3/2013 Hashimoto H04R 1/1016
381/370
- D698,750 S * 2/2014 Yoon D14/205
- D718,286 S * 11/2014 Yang D14/223
- D718,745 S * 12/2014 Thompson D14/223
- D719,548 S * 12/2014 Thompson D14/223

(Continued)

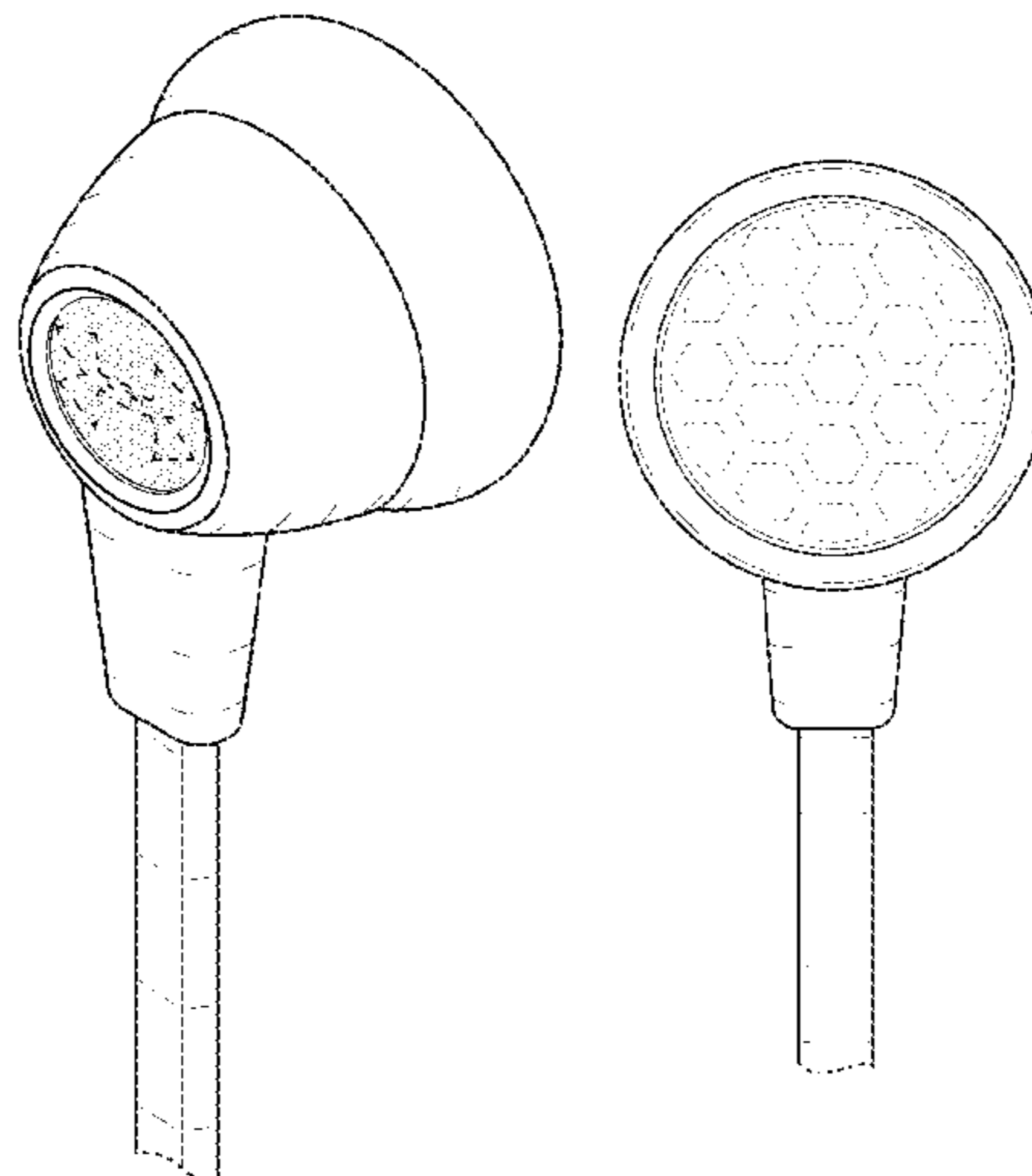
Primary Examiner — Paula Greene
(74) *Attorney, Agent, or Firm* — Plumsea Law Group, LLC

(57) **CLAIM**
The ornamental design for a headphone, as shown and described.

DESCRIPTION

FIG. 1 is a perspective view of a headphone showing our new design;
FIG. 2 is a side elevational view of one side thereof;
FIG. 3 is a side elevational view of the opposite side thereof;
FIG. 4 is a rear elevational view thereof;
FIG. 5 is a front elevational view thereof;
FIG. 6 is a top plan view thereof; and,
FIG. 7 is a bottom plan view thereof.
The broken line showings form no part of the claimed design.

1 Claim, 4 Drawing Sheets



US D773,435 S

(56)

References Cited

U.S. PATENT DOCUMENTS

8,908,888 B2 * 12/2014 Wei H04R 1/1016
381/164
D746,792 S * 1/2016 Kim D14/205

D760,189 S * 6/2016 Kern D14/205
D760,202 S * 6/2016 Hsieh D14/223
2007/0098201 A1 * 5/2007 Chen H04R 1/1016
381/380

* cited by examiner

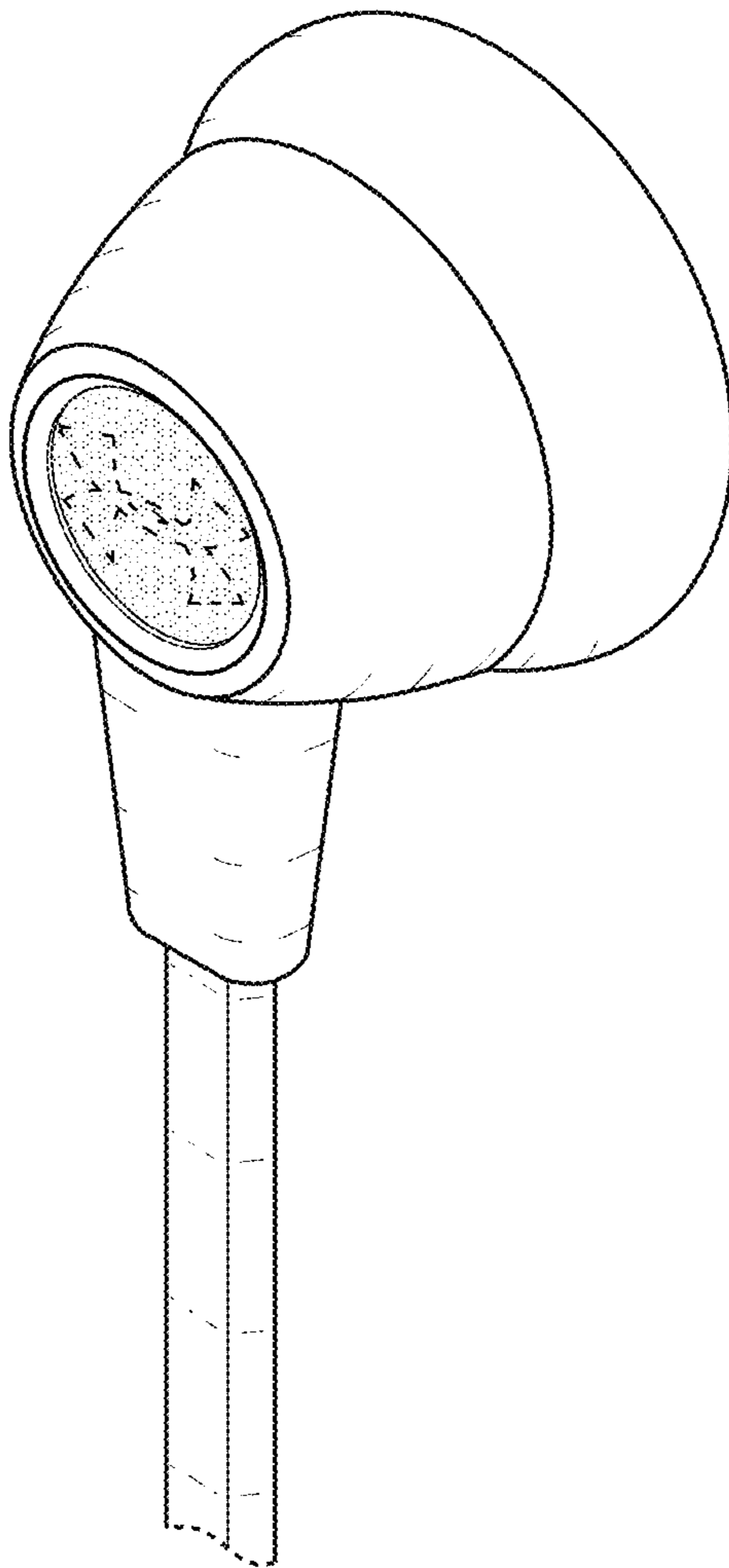


FIG. 1

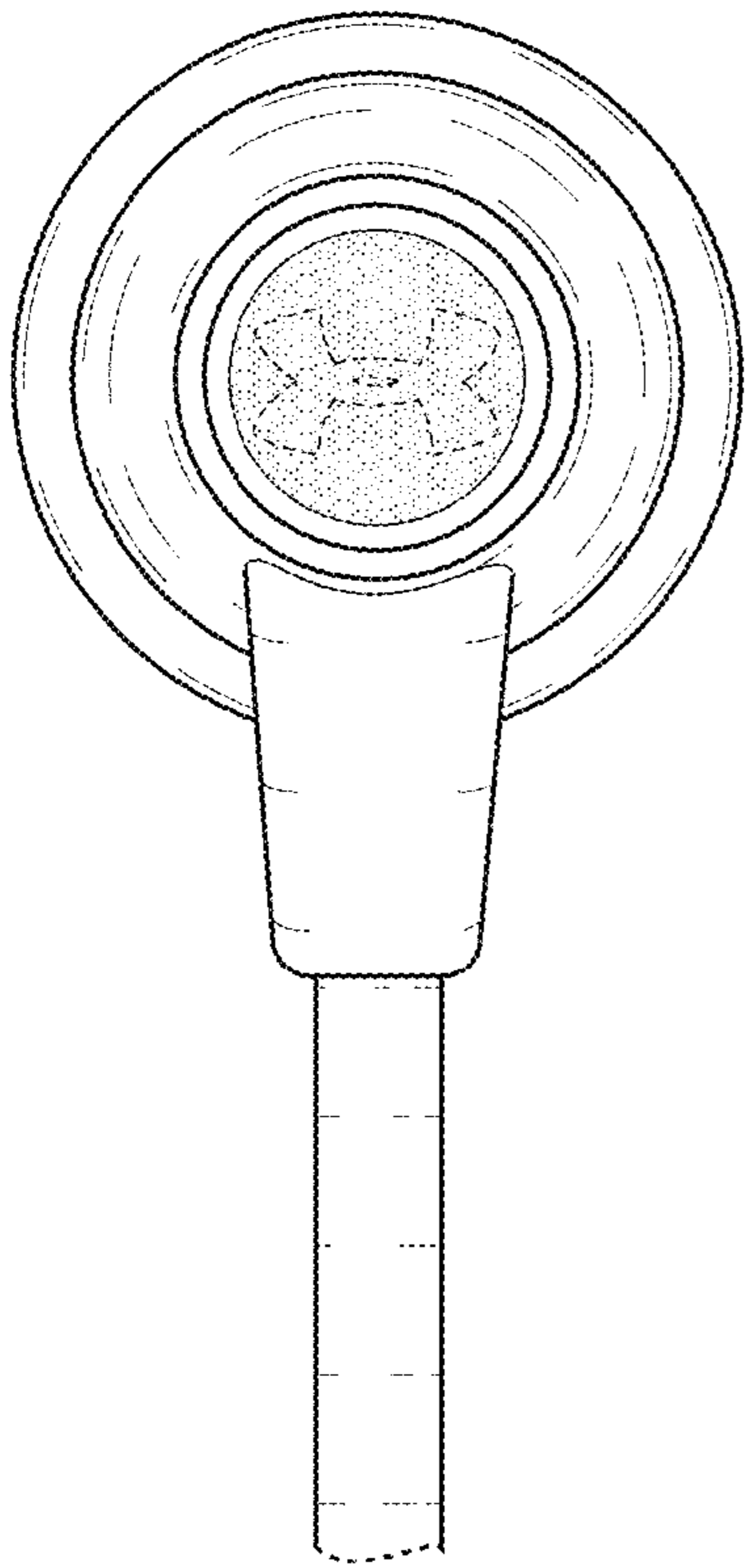


FIG. 2

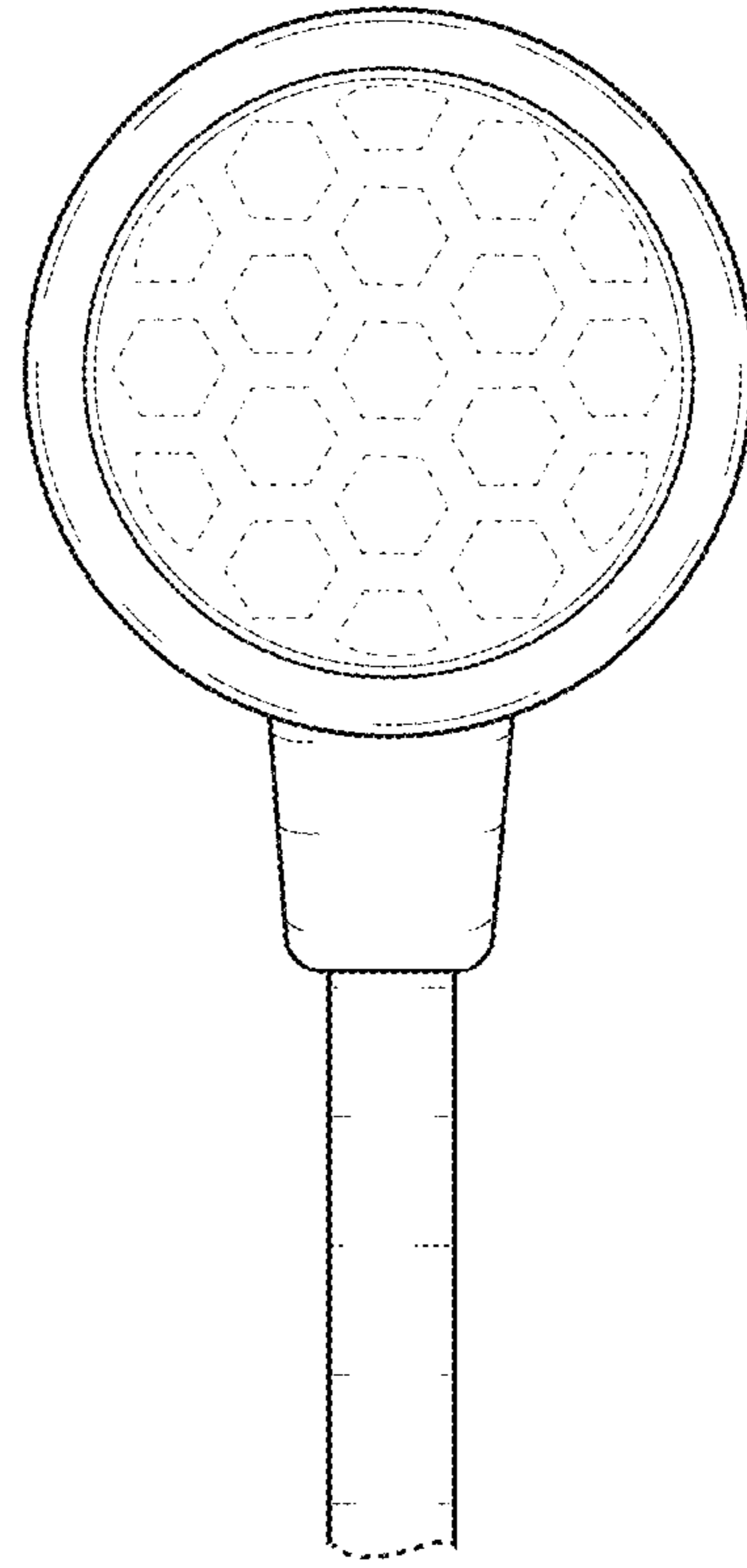


FIG. 3

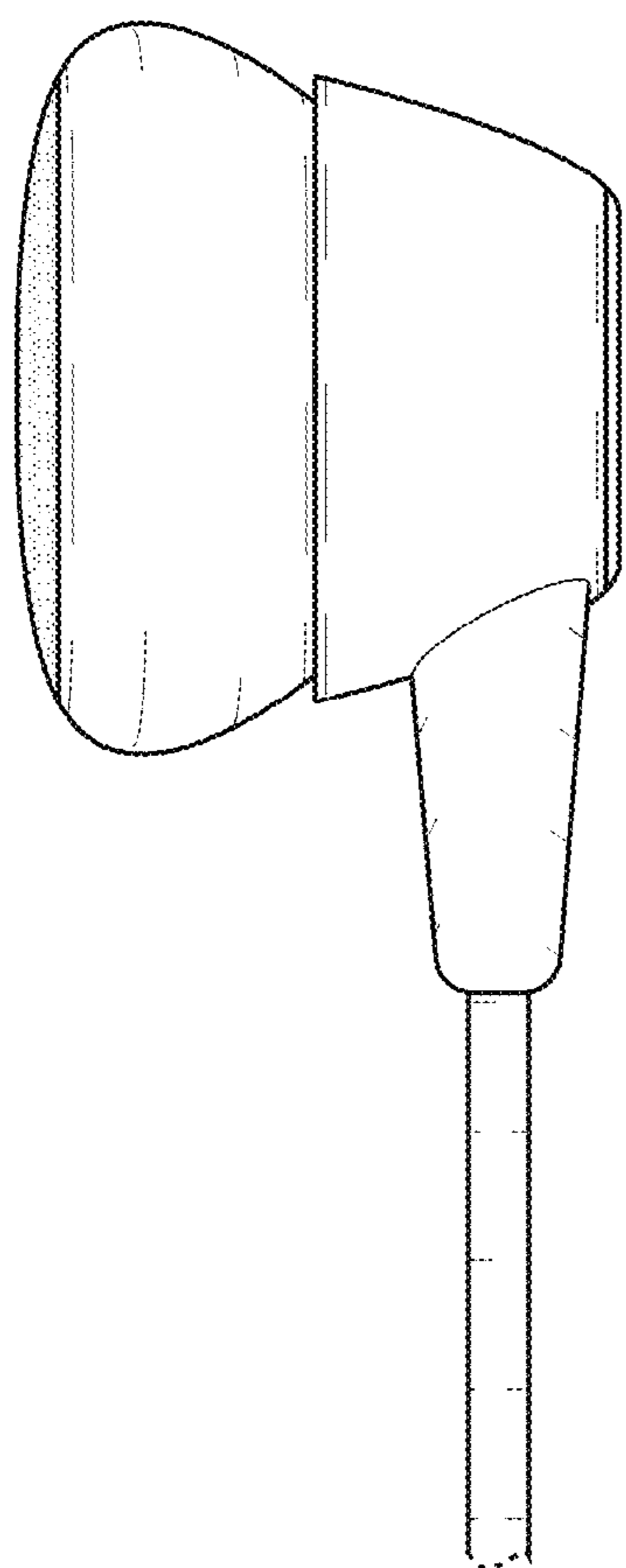


FIG. 4

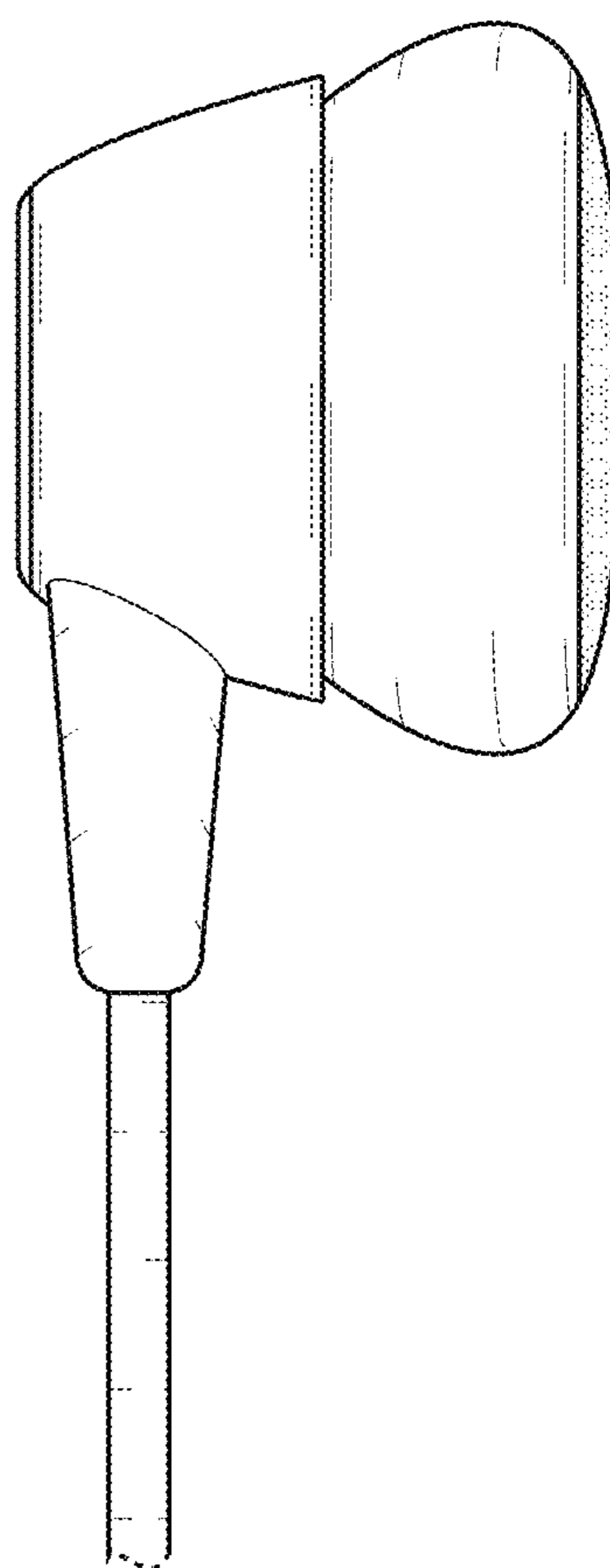


FIG. 5

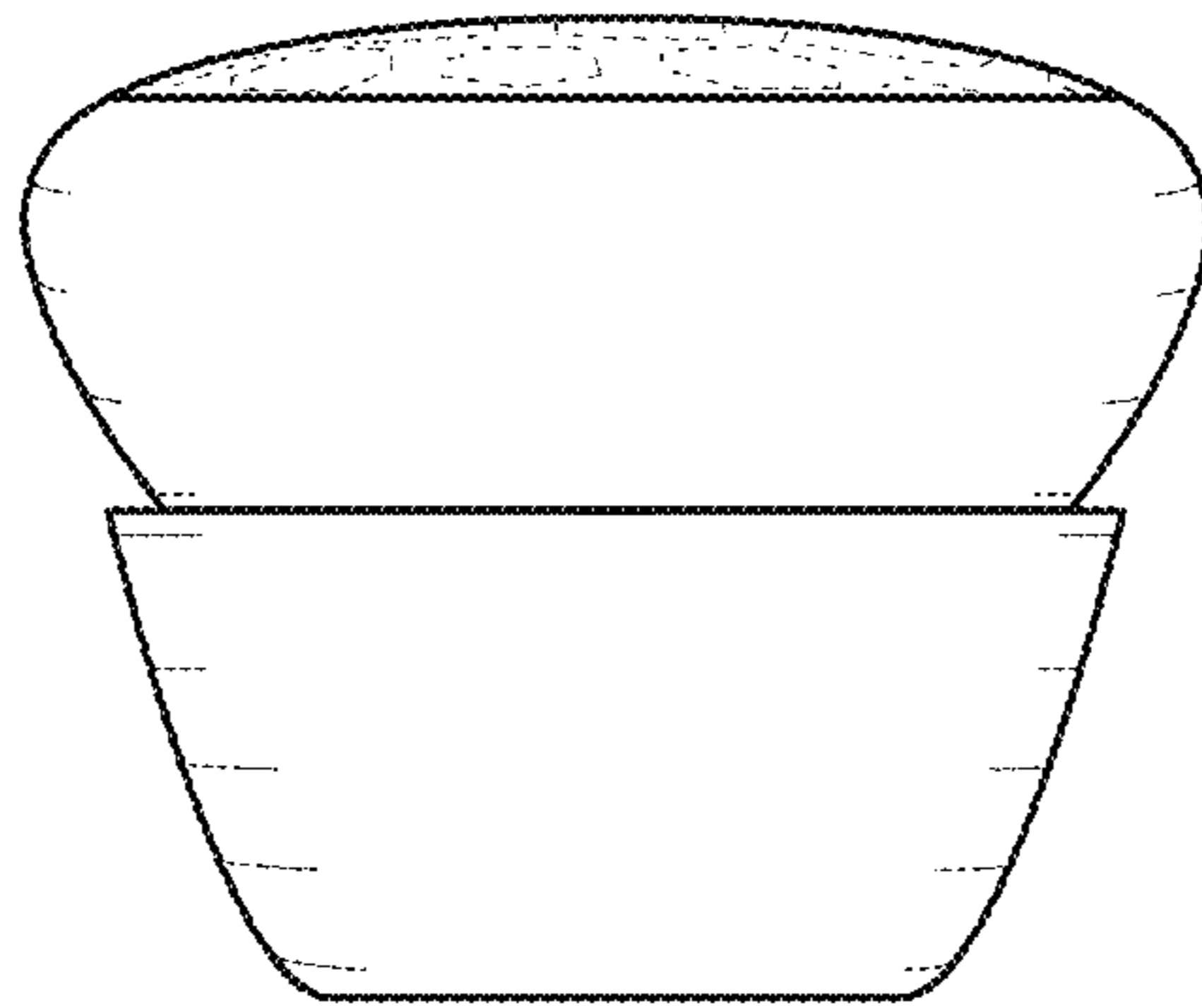


FIG. 6

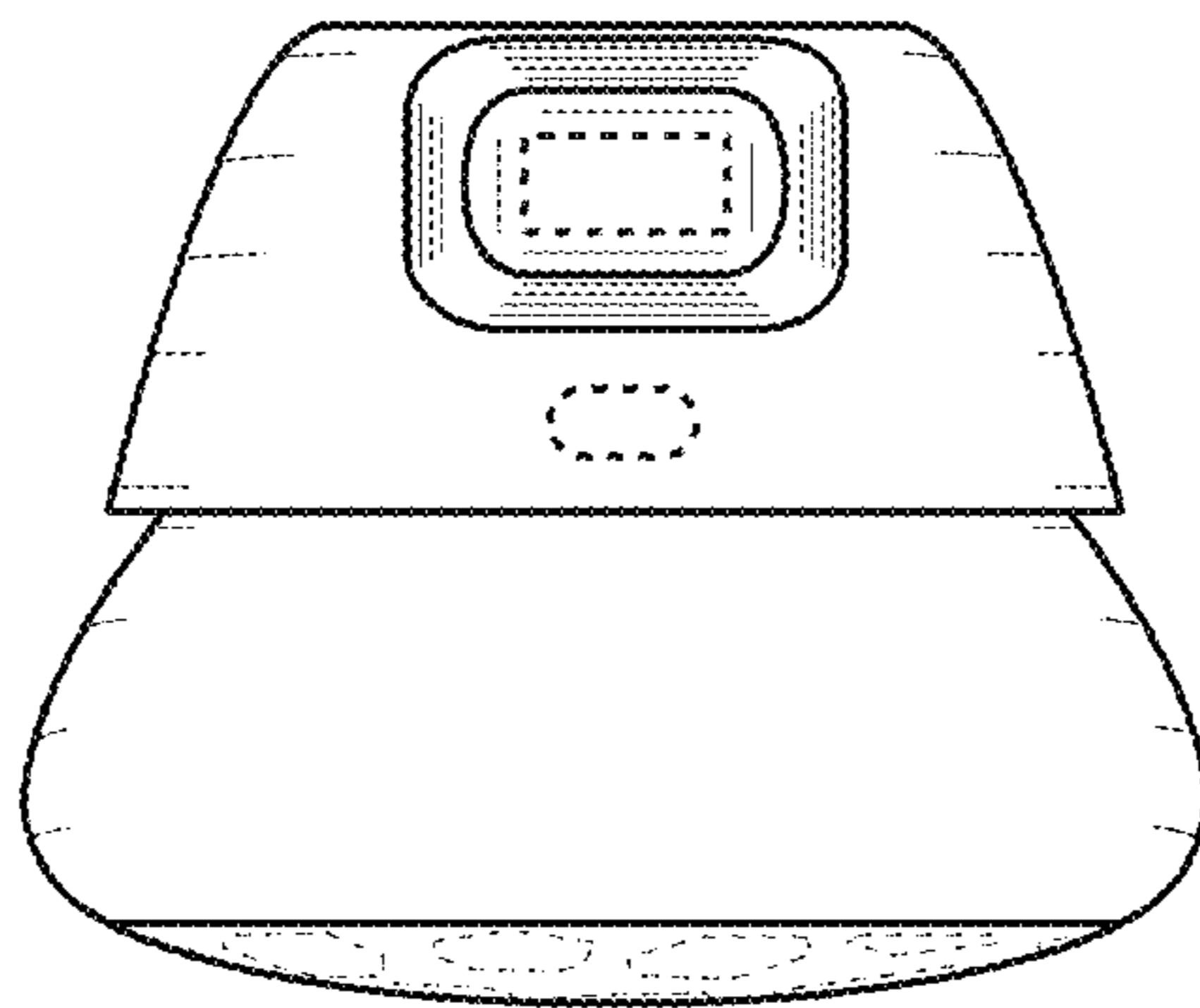


FIG. 7