



US00D773434S

(12) **United States Design Patent** (10) **Patent No.:** **US D773,434 S**
Wu (45) **Date of Patent:** **** Dec. 6, 2016**

(54) **EARPHONE**
(71) Applicant: **Shenzhen Aoni Electronic Industry Co., Ltd.**, Shenzhen (CN)
(72) Inventor: **Shijie Wu**, Shenzhen (CN)
(**) Term: **14 Years**
(21) Appl. No.: **29/525,161**
(22) Filed: **Apr. 27, 2015**
(30) **Foreign Application Priority Data**
Jan. 7, 2015 (CN) 2015 3 0003322
(51) **LOC (10) Cl.** **14-01**
(52) **U.S. Cl.**
USPC **D14/205**
(58) **Field of Classification Search**
USPC D14/205, 223, 249, 240, 188, 192;
D29/112; 2/209; 181/129, 130, 135;
381/380, 381, 370, 377, 378, 374, 385,
381/74; 455/90.3, 575.1
CPC H04R 1/1066; H04R 25/00; H04R 1/10;
H04R 1/105; H04R 1/1016
See application file for complete search history.

(56) **References Cited**
U.S. PATENT DOCUMENTS
D68,060 S * 8/1925 Pacent D14/249
1,560,718 A * 11/1925 Nowosielski H04R 1/1066
381/377
1,606,165 A * 11/1926 Glenn H01B 7/04
123/633
2,537,201 A * 1/1951 Amfitheatrof A61F 11/008
181/136
4,634,816 A * 1/1987 O'Malley H04M 1/05
379/430
D297,324 S * 8/1988 Kohno D14/205
D316,861 S * 5/1991 Yoda D14/205
D318,669 S * 7/1991 Nakayama D14/205
D328,461 S * 8/1992 Daido D14/205
D373,360 S * 9/1996 Kanno D14/205
D375,312 S * 11/1996 Kanno D14/205

D377,021 S * 12/1996 Isono D14/205
6,081,604 A * 6/2000 Hikichi H04R 1/083
381/124
D468,723 S * 1/2003 Pham D14/205
D491,163 S * 6/2004 Green D14/205
D502,938 S * 3/2005 Tokioka D14/205
7,072,483 B2 * 7/2006 Lenhard-
Backhaus H04R 1/1066
381/370
D544,464 S * 6/2007 Lee D14/205
D573,581 S * 7/2008 Gondo D14/205
D584,715 S * 1/2009 Brennwald D14/205
D588,098 S * 3/2009 Kurihara D14/205
D594,847 S * 6/2009 Suzuki D14/205
7,580,539 B2 * 8/2009 Tachikawa H04R 1/1066
381/374
D600,674 S * 9/2009 Brennwald D14/205
D625,705 S * 10/2010 Ohori D14/205
D634,732 S * 3/2011 Kondo D14/205
D639,776 S * 6/2011 Arimoto D14/205
D656,125 S * 3/2012 Komiyama D14/205
D665,775 S * 8/2012 Katsumata D14/205
D675,595 S * 2/2013 Cho D14/205
D684,140 S * 6/2013 Enquist D14/205
D691,109 S * 10/2013 Hardi D14/205
D704,161 S * 5/2014 Morimoto D14/205

(Continued)

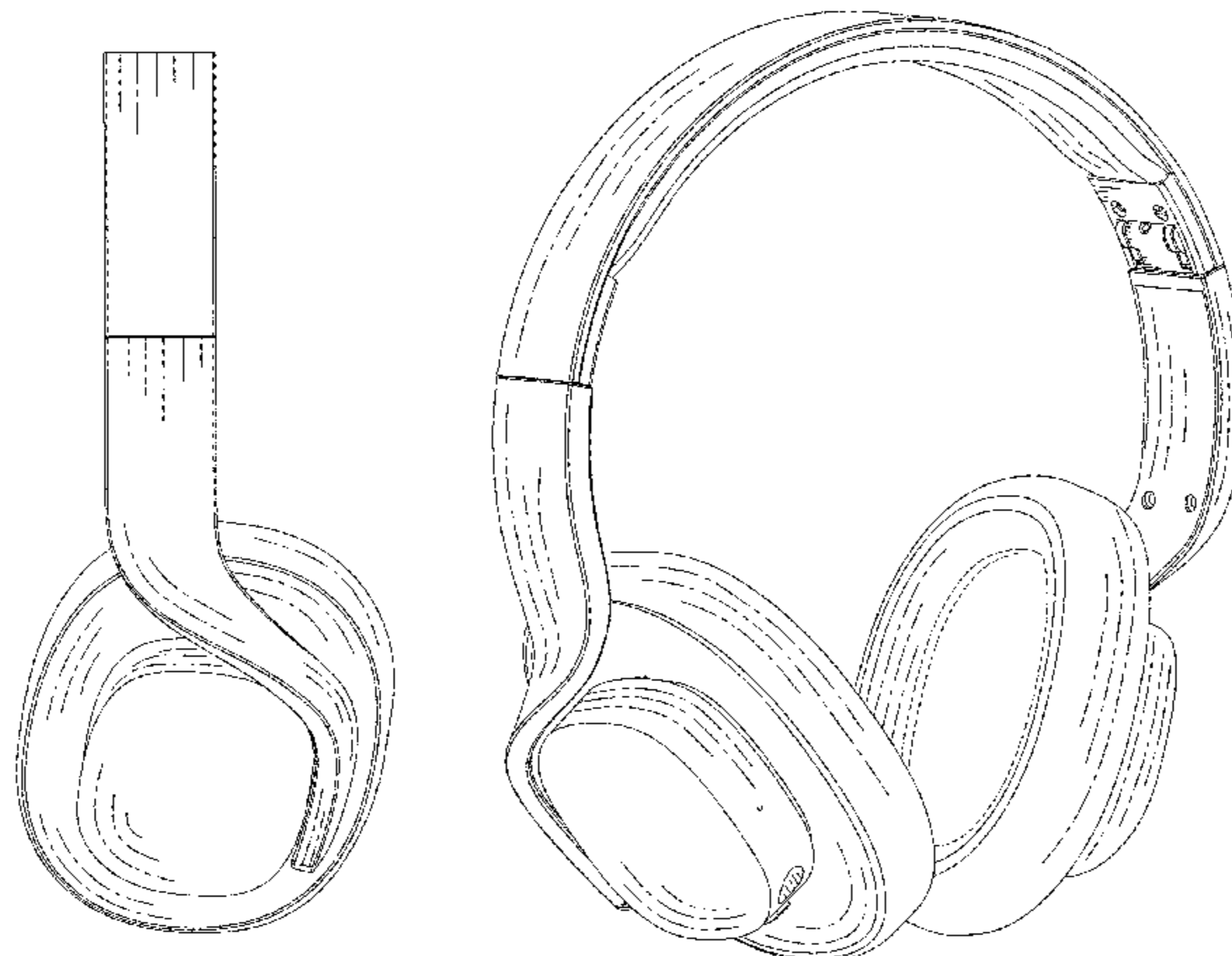
Primary Examiner — Paula Greene
(74) *Attorney, Agent, or Firm* — Prakash Nama; Global IP Services, PLLC

(57) **CLAIM**
The ornamental design for an earphone, as shown and described.

DESCRIPTION

FIG. 1 is a front elevational view of an earphone showing my new design;
FIG. 2 is a rear elevational view thereof;
FIG. 3 is a left side view thereof;
FIG. 4 is a right side view thereof;
FIG. 5 is a top plan view thereof;
FIG. 6 is a bottom plan view thereof;
FIG. 7 is a perspective view thereof; and,
FIG. 8 is another perspective view thereof.
The broken lines form no part of the claimed design.

1 Claim, 7 Drawing Sheets



(56)

References Cited

U.S. PATENT DOCUMENTS

D706,240 S *	6/2014	Szymanski	D14/205	D728,512 S *	5/2015	Nakagawa	D14/205
D706,241 S *	6/2014	Szymanski	D14/205	D729,194 S *	5/2015	Boeckel	D14/205
D707,653 S *	6/2014	Hardi	D14/205	D733,090 S *	6/2015	Petersen	D14/205
D708,163 S *	7/2014	Ishikura	D14/205	D750,041 S *	2/2016	Birger	D14/205
D712,375 S *	9/2014	Miyake	D14/205	D750,593 S *	3/2016	Hardi	D14/205
D715,255 S *	10/2014	Nunez	D14/205	2003/0182713 A1 *	10/2003	Rolla	H04R 5/0335 2/209
8,923,525 B2 *	12/2014	Saideh	H04R 1/1033 381/309	2007/0165899 A1 *	7/2007	Garin	H04R 5/0335 381/377
D727,289 S *	4/2015	Czaniecki	D14/205	2010/0177907 A1 *	7/2010	Morisawa	H04R 5/0335 381/74
9,008,328 B2 *	4/2015	Urano	H04R 1/1025 381/74					

* cited by examiner



FIG. 1

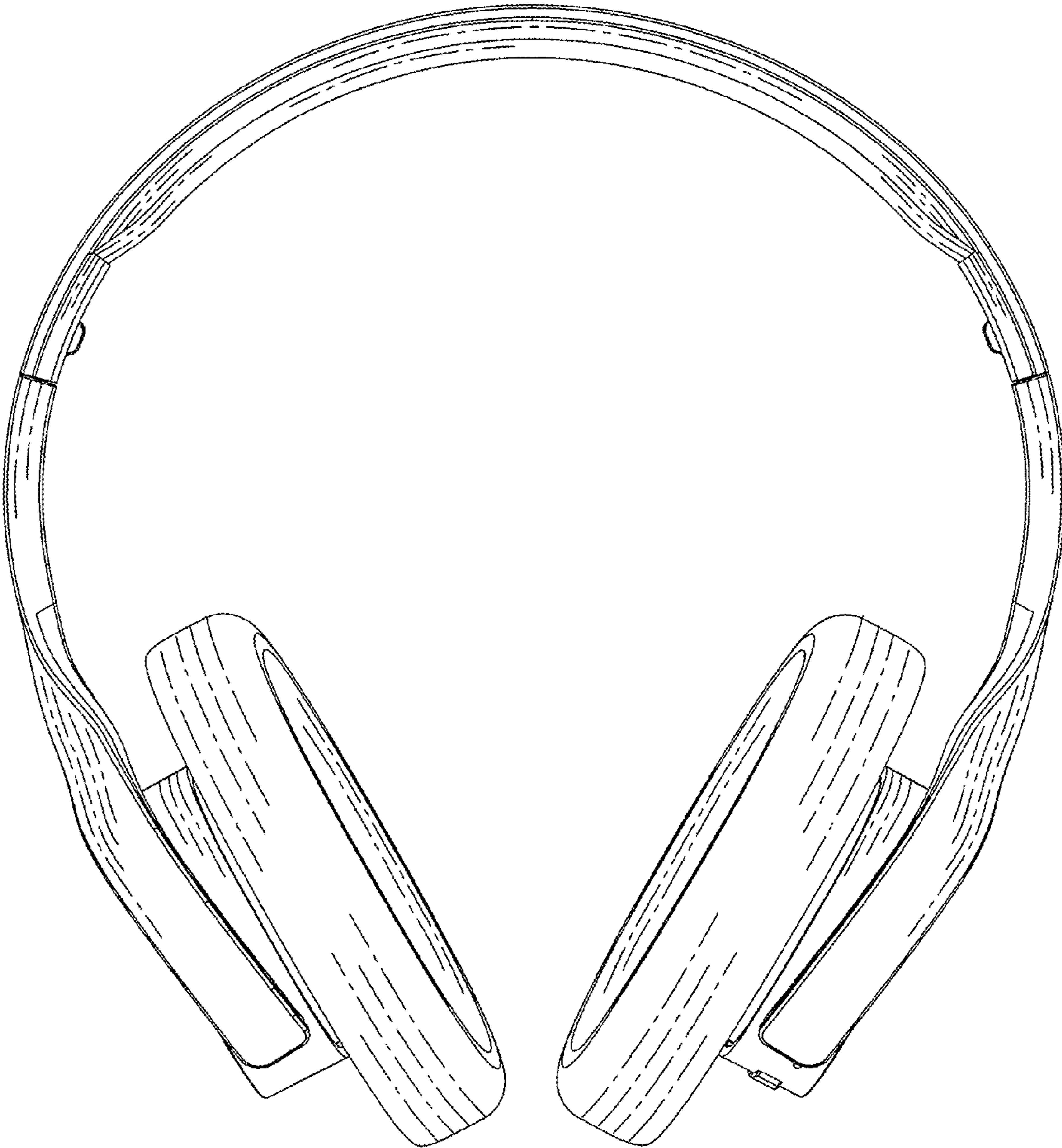


FIG. 2

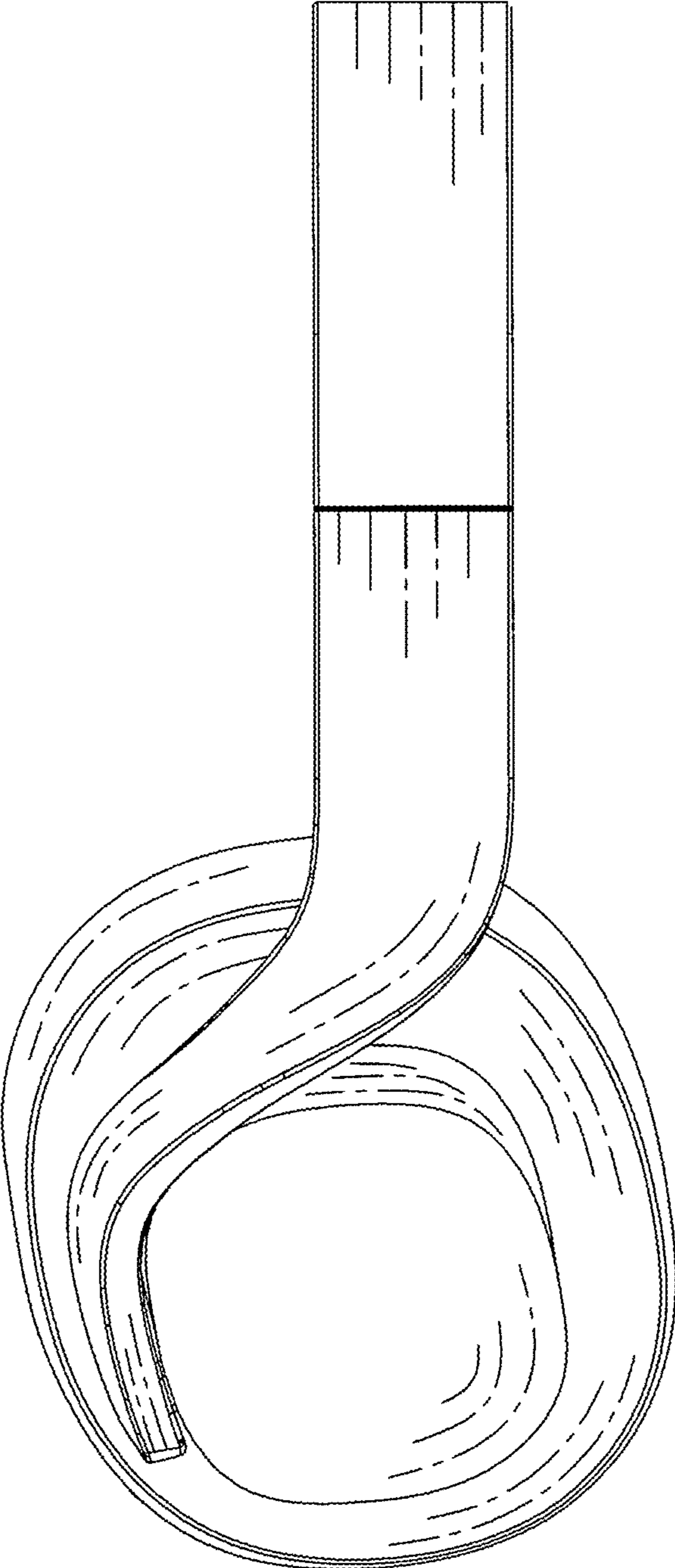


FIG. 3

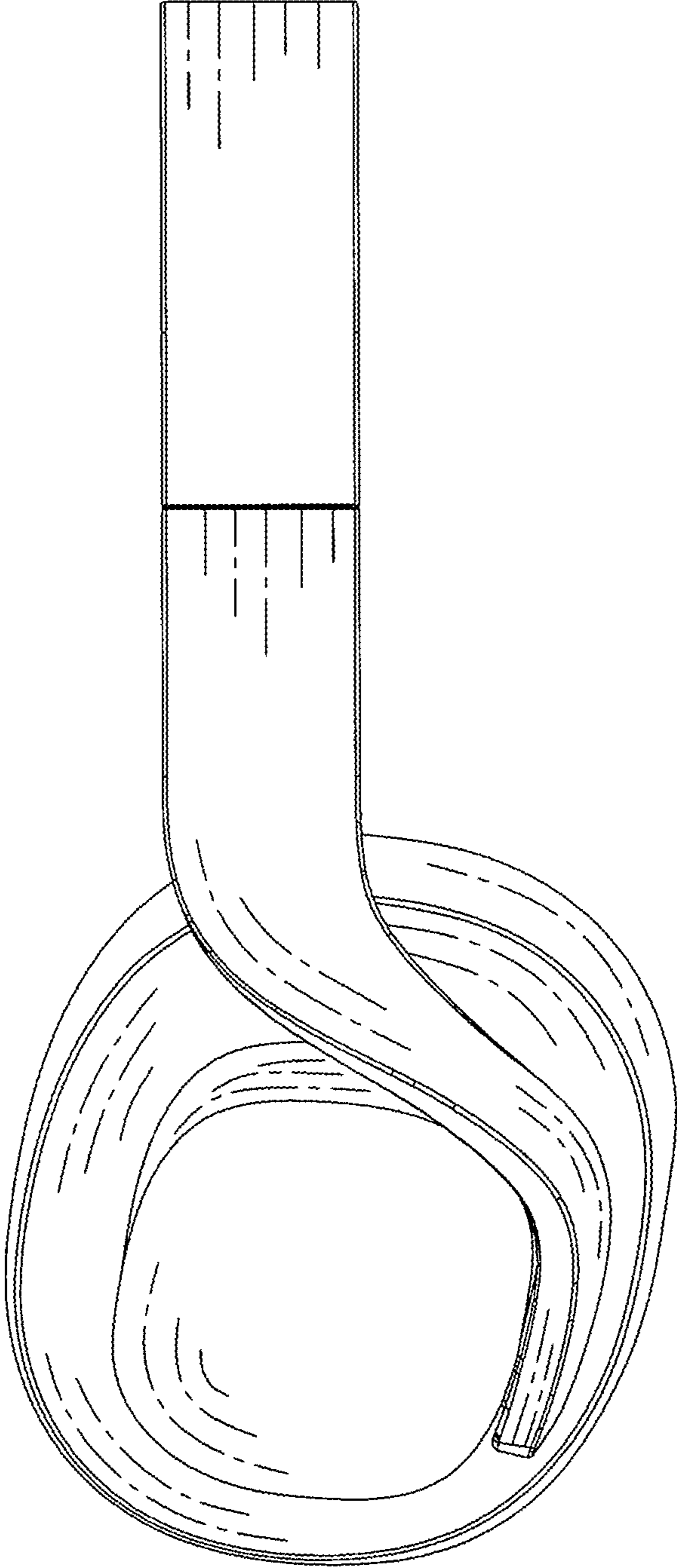


FIG. 4

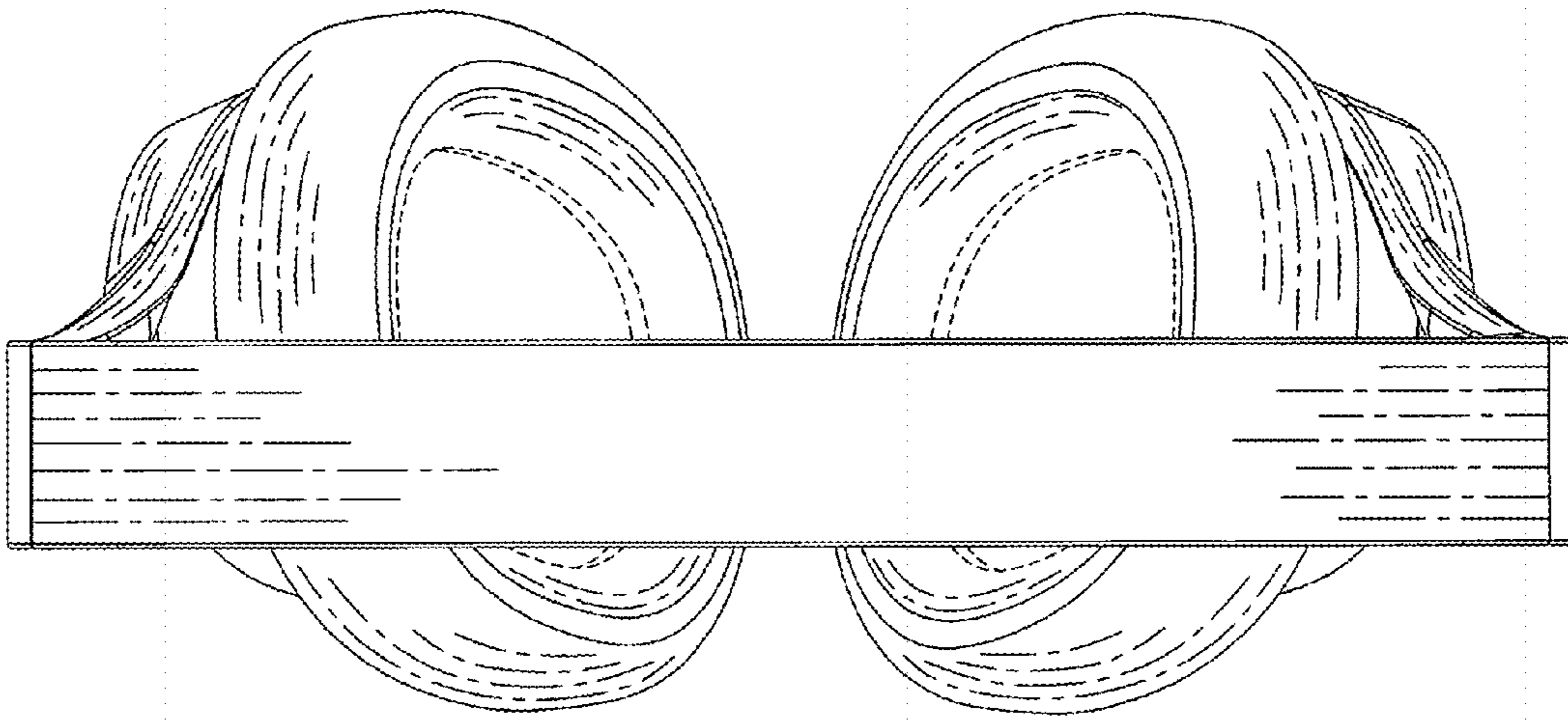


FIG. 5

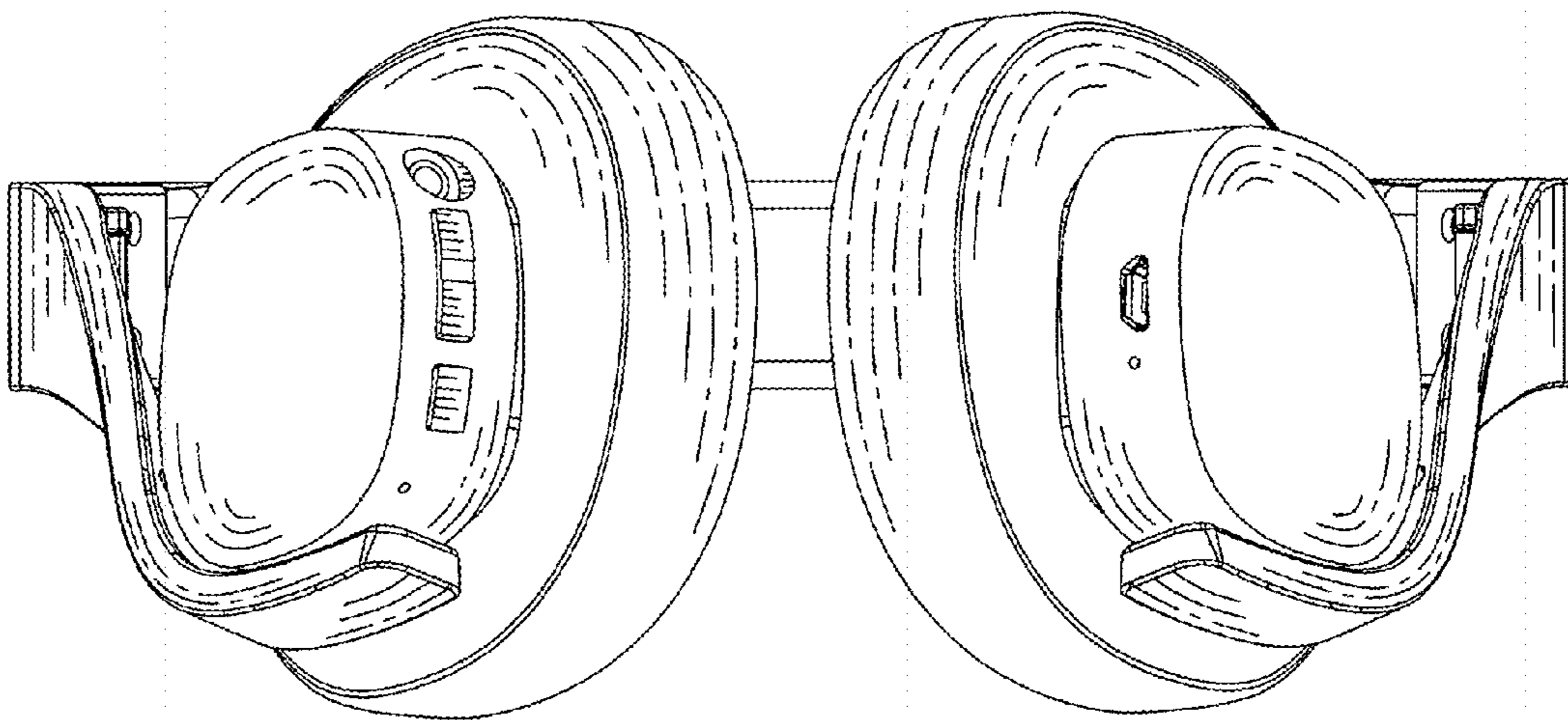


FIG. 6

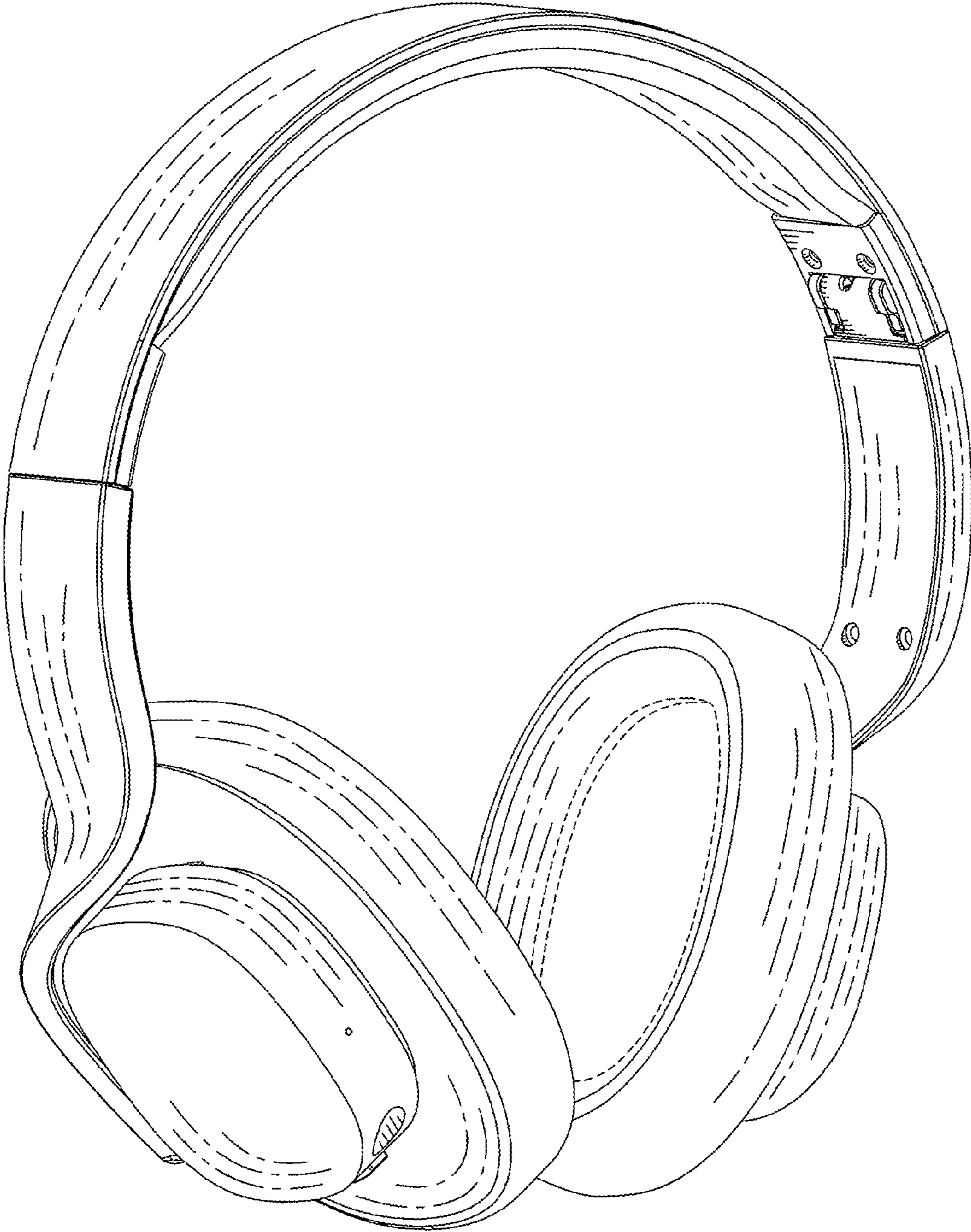


FIG. 7

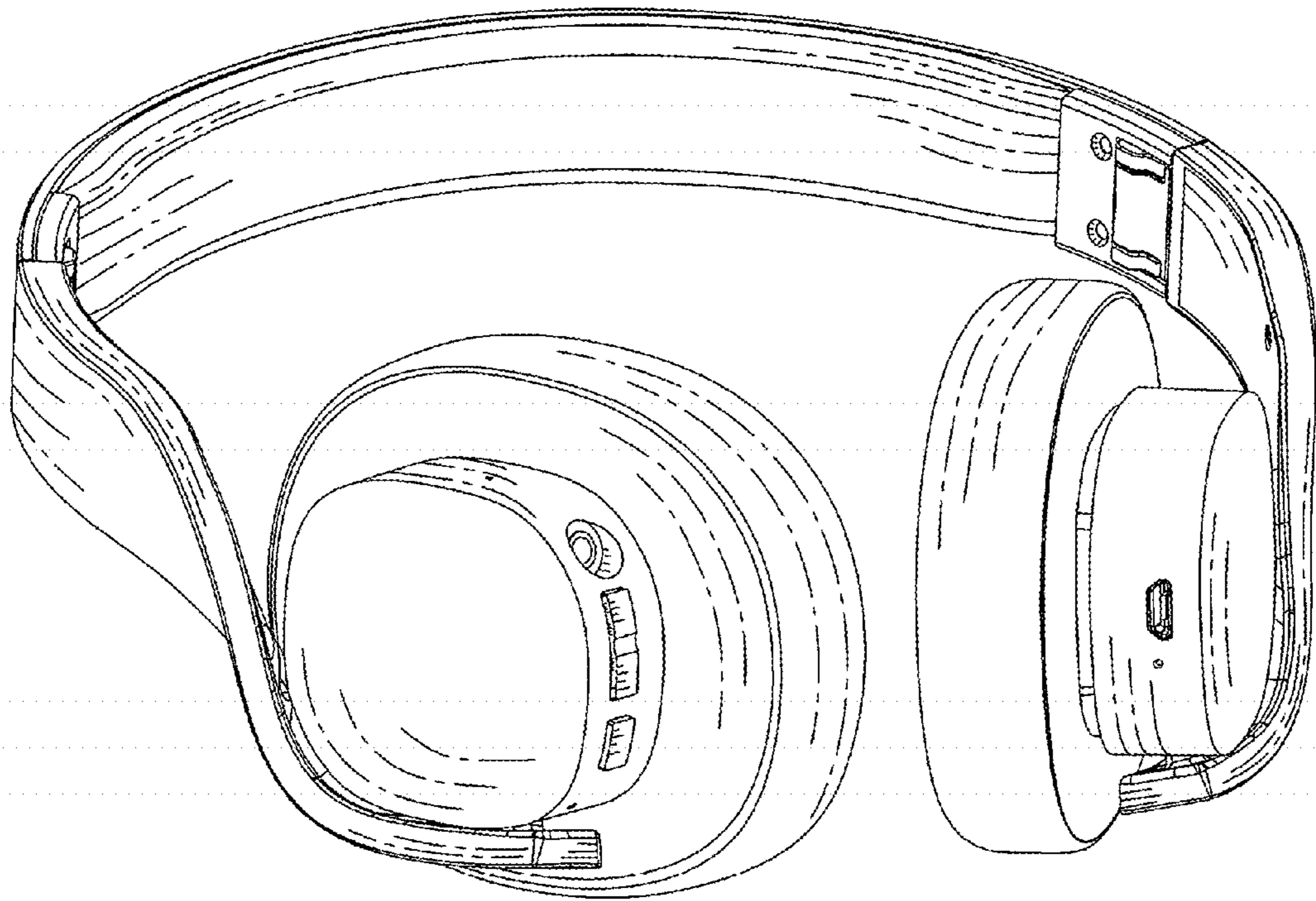


FIG. 8