



US00D773432S

(12) **United States Design Patent** (10) **Patent No.:** **US D773,432 S**
Rowan et al. (45) **Date of Patent:** **** Dec. 6, 2016**

(54) **AMPLIFIER**

(71) Applicants: **Mark David Rowan**, Nashville, TN (US); **Eugenio J. Duarte**, Mount Juliet, TN (US)

(72) Inventors: **Mark David Rowan**, Nashville, TN (US); **Eugenio J. Duarte**, Mount Juliet, TN (US)

(73) Assignee: **Griffin Technology, Inc.**, Nashville, TN (US)

(**) Term: **14 Years**

(21) Appl. No.: **29/512,175**

(22) Filed: **Dec. 17, 2014**

(51) **LOC (10) Cl.** **14-03**

(52) **U.S. Cl.**
USPC **D14/188**

(58) **Field of Classification Search**
USPC D14/162, 167-169, 175, 179, 188, D14/194-198, 217, 257, 265, 299, 496; 330/1 R, 330/3, 4, 250; 381/86, 120; 455/344-351

CPC .. B60R 11/02; B60R 11/0205; B60R 11/0217; G10K 9/22; G10K 15/04; H03F 1/26; H03F 1/3247; H03F 3/24; H03F 3/181; H03F 3/189; H03F 3/45197; H03F 2200/03; H03F 2200/324; H03F 2200/336; H03F 2200/543; H03F 2203/45488; H03G 3/02; H03G 3/20; H04R 1/02; H04R 1/028; H04R 3/00; H04R 3/12; H04R 2420/07; H04R 2499/13

See application file for complete search history.

(56) **References Cited**

U.S. PATENT DOCUMENTS

D429,717 S *	8/2000	Kizawa	D14/204
D535,284 S *	1/2007	Peng	D14/188
D630,193 S *	1/2011	Bennett	D14/167
D733,096 S *	6/2015	Faerber	D14/215
D742,851 S *	11/2015	Matthews	D14/188
2012/0134513 A1 *	5/2012	Garet	G05G 1/08 381/119

* cited by examiner

Primary Examiner — Keli L Hill

(74) *Attorney, Agent, or Firm* — Hornkohl Intellectual Property Law, PLLC; Jason L. Hornkohl

(57) **CLAIM**

The ornamental design for an amplifier, as shown and described.

DESCRIPTION

FIG. 1 is an isometric top view of the new design for an amplifier;

FIG. 2 is an isometric bottom view of the new design for an amplifier;

FIG. 3 is a front view of the amplifier;

FIG. 4 is a back view of the amplifier;

FIG. 5 is a left side view of the amplifier;

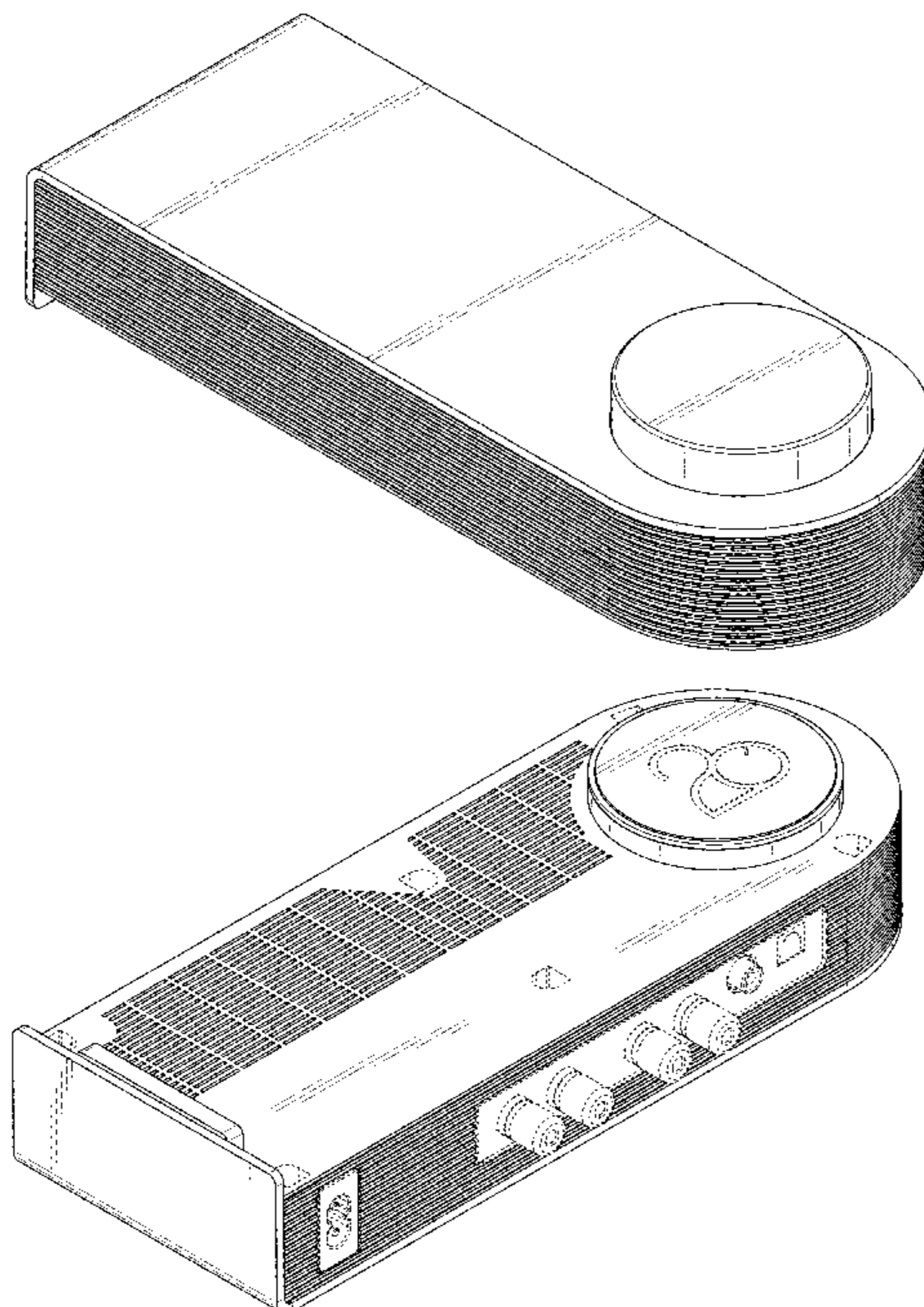
FIG. 6 is a right side view of the amplifier;

FIG. 7 is a top view of the amplifier; and,

FIG. 8 is a bottom view of the amplifier.

The broken lines shown are included for the purpose of illustrating portions of the amplifier that form no part of the claim.

1 Claim, 6 Drawing Sheets



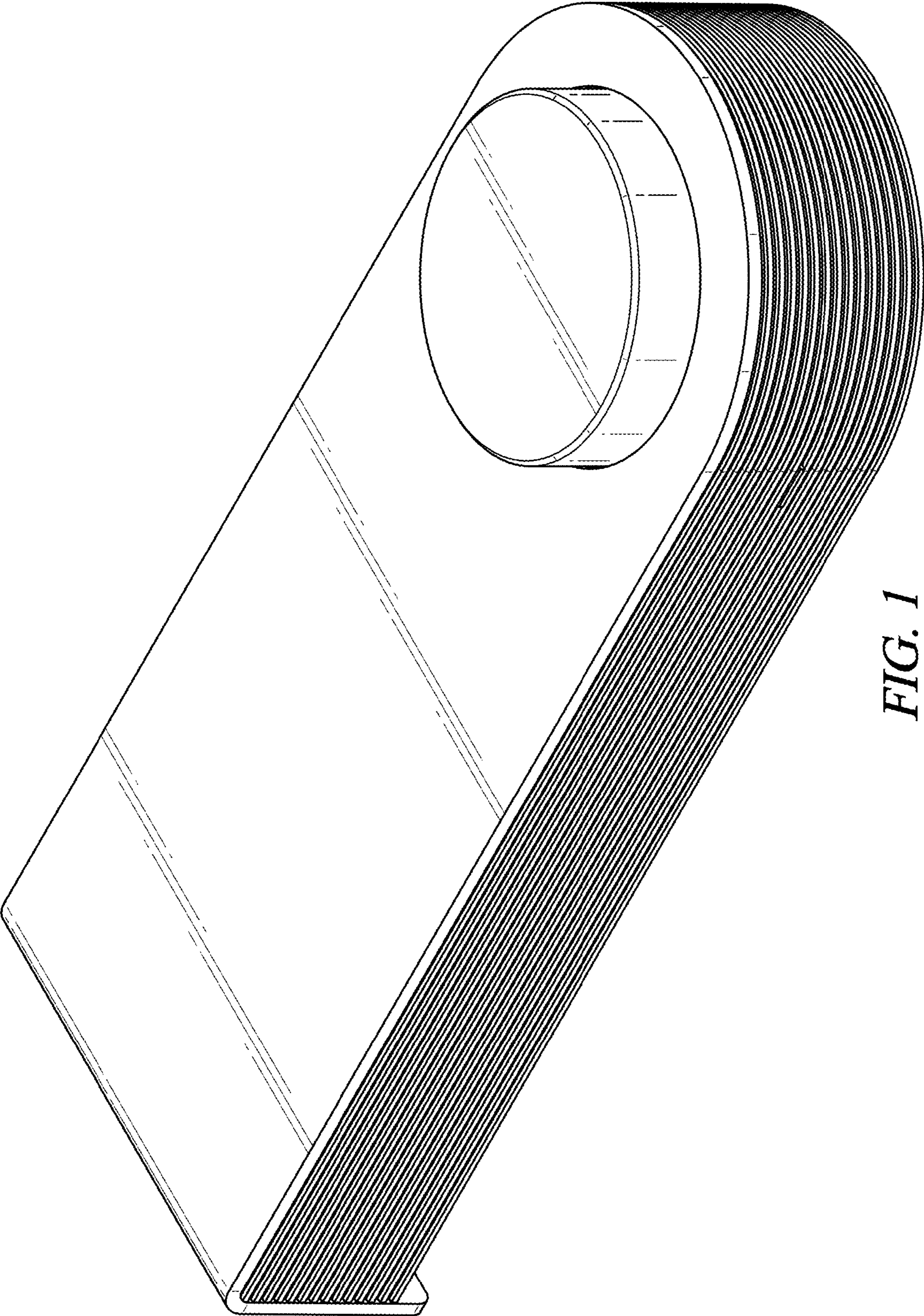


FIG. 1

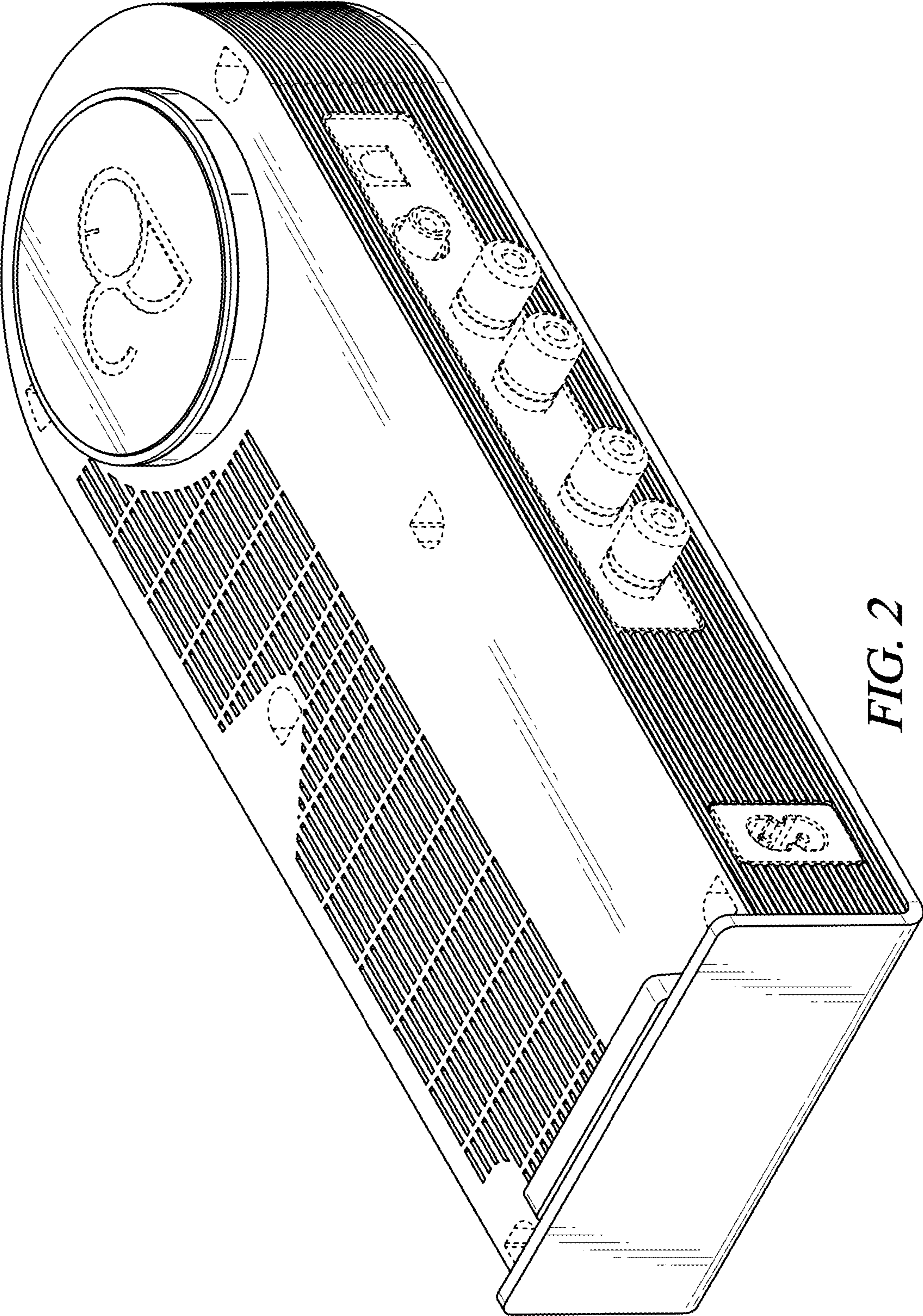


FIG. 2

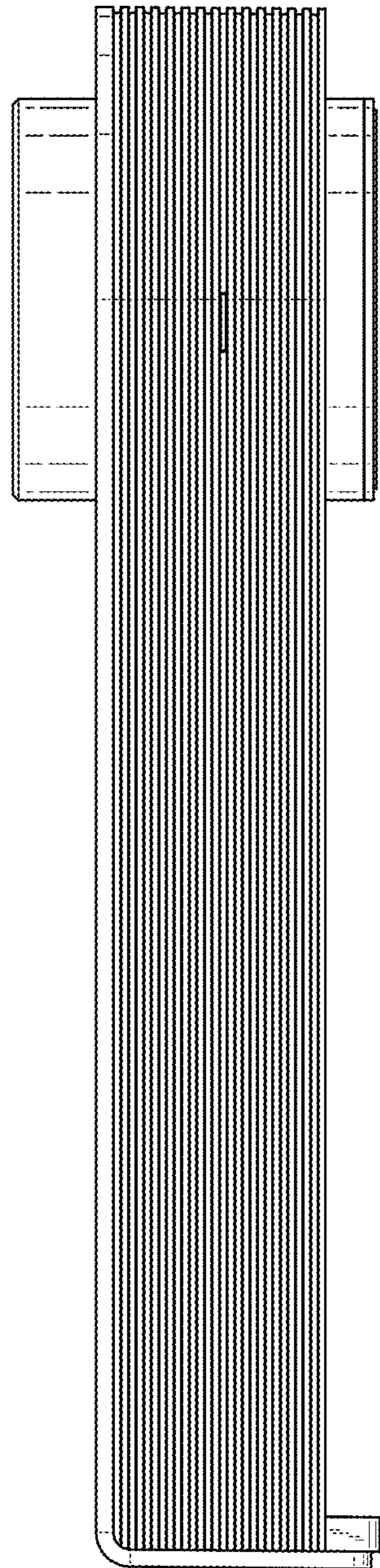


FIG. 3

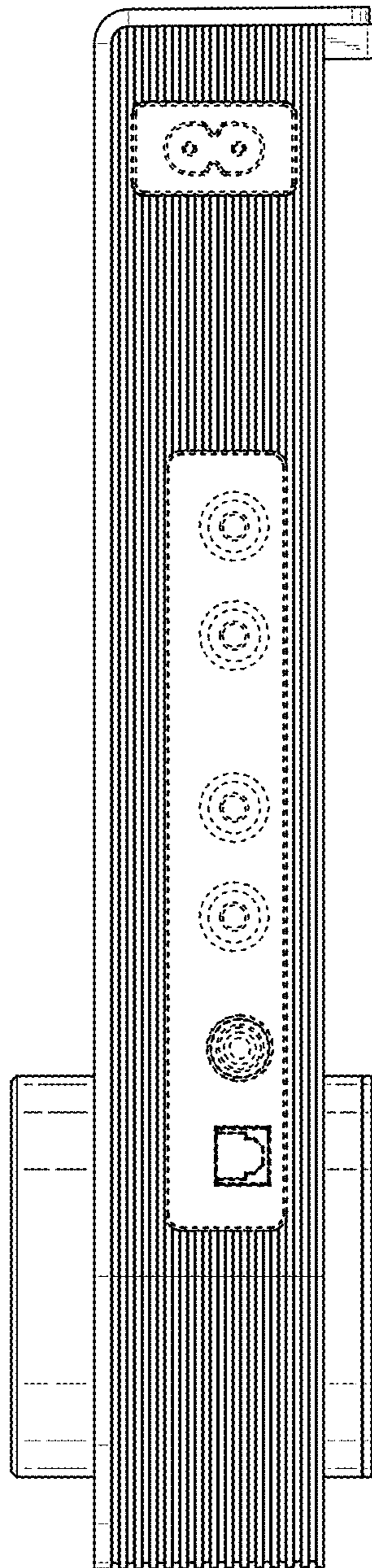


FIG. 4

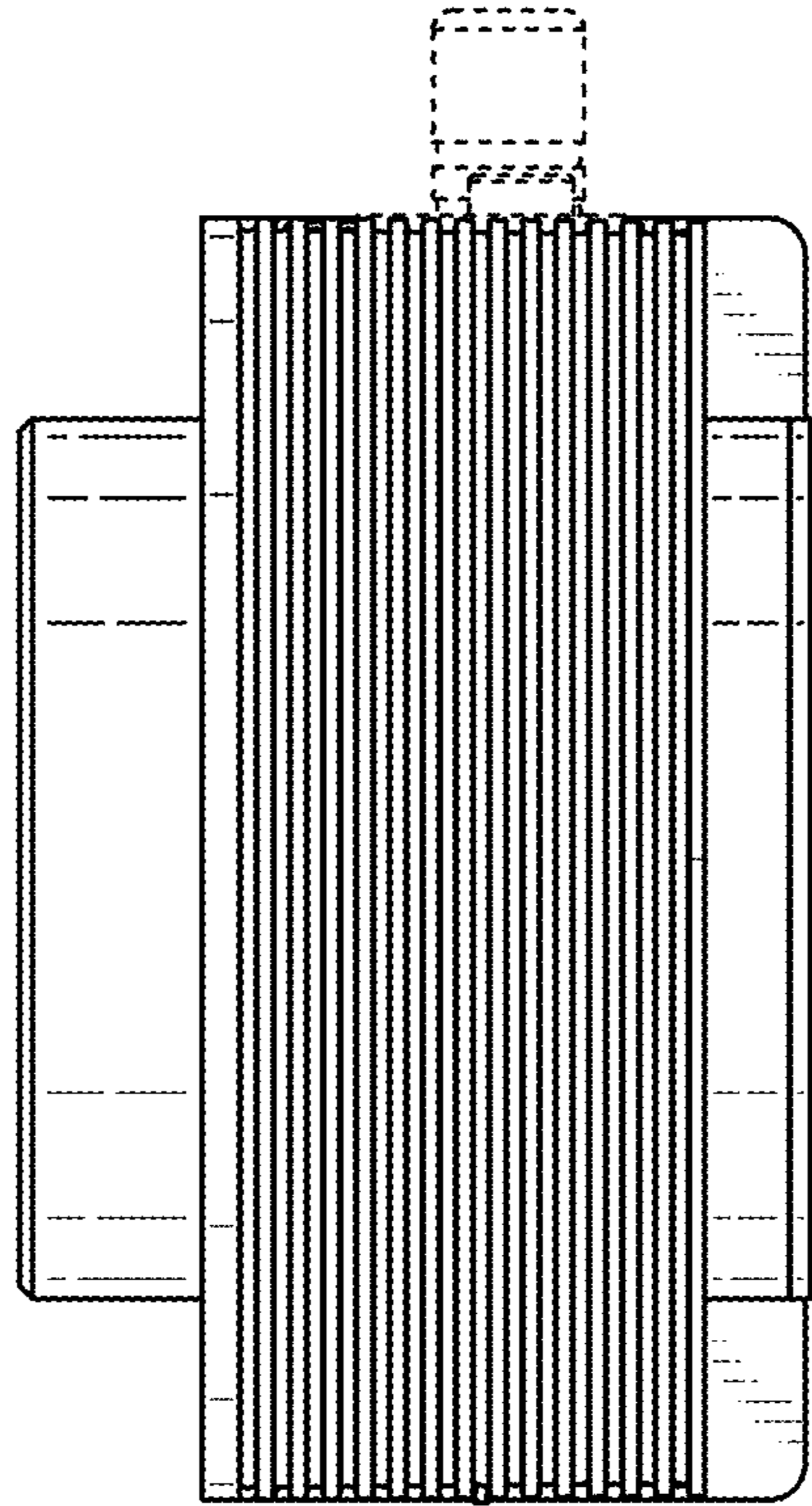


FIG. 6

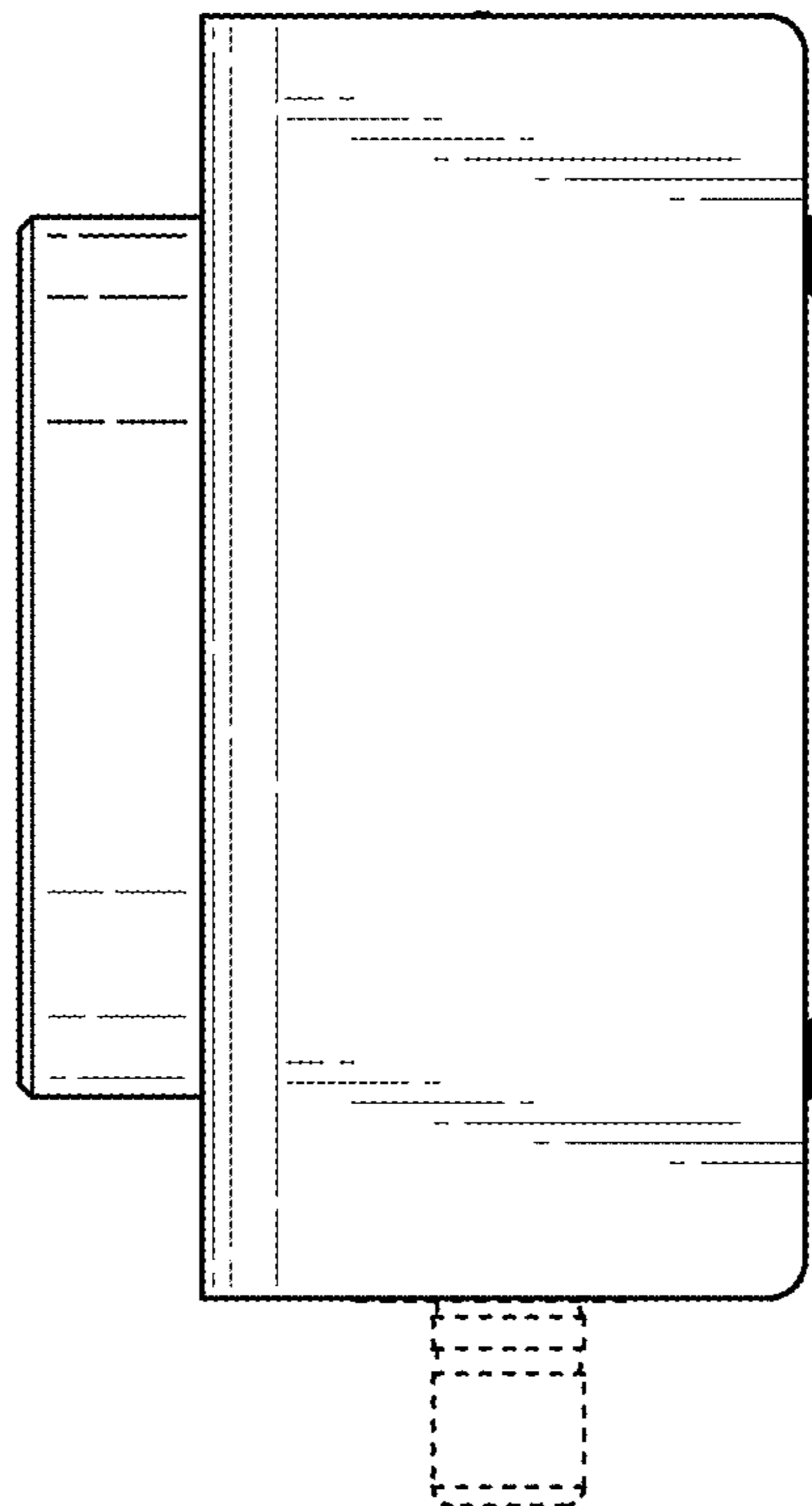


FIG. 5

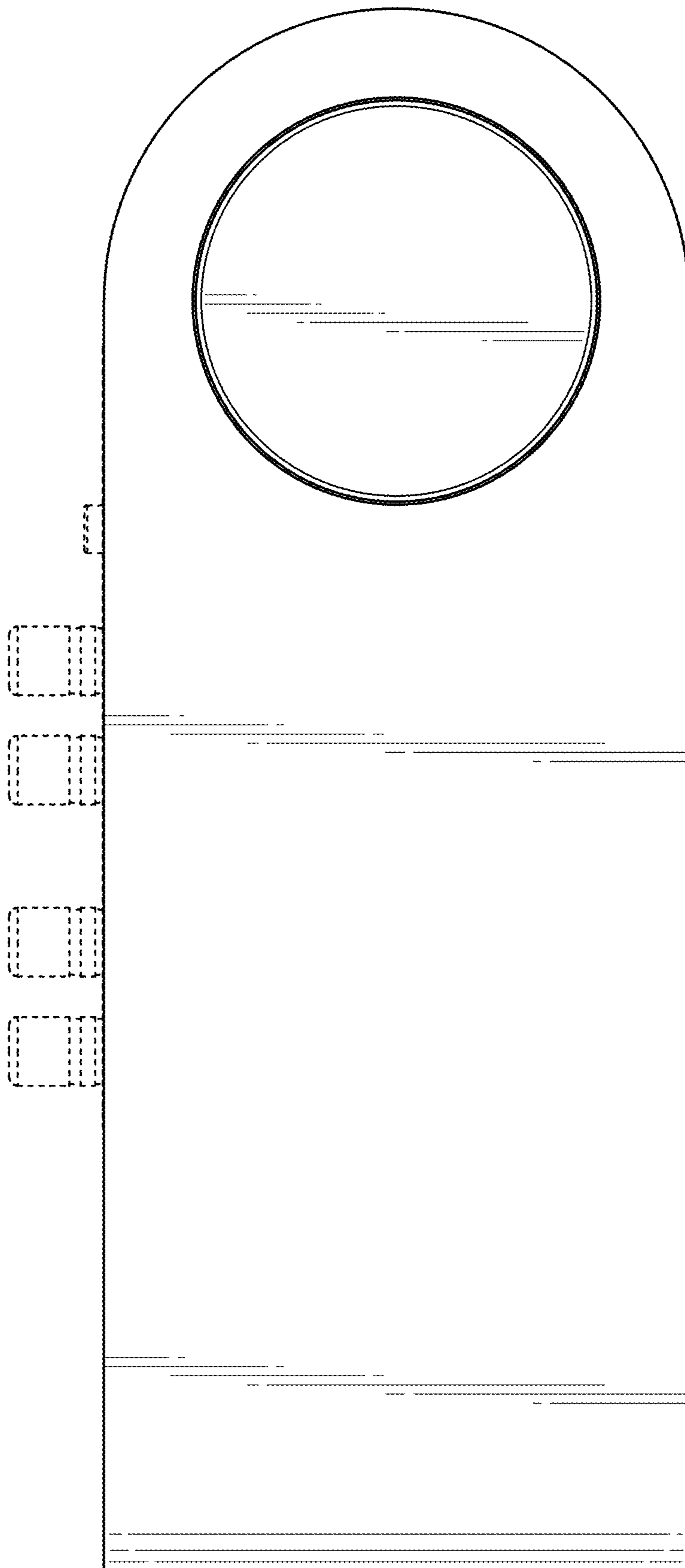


FIG. 7

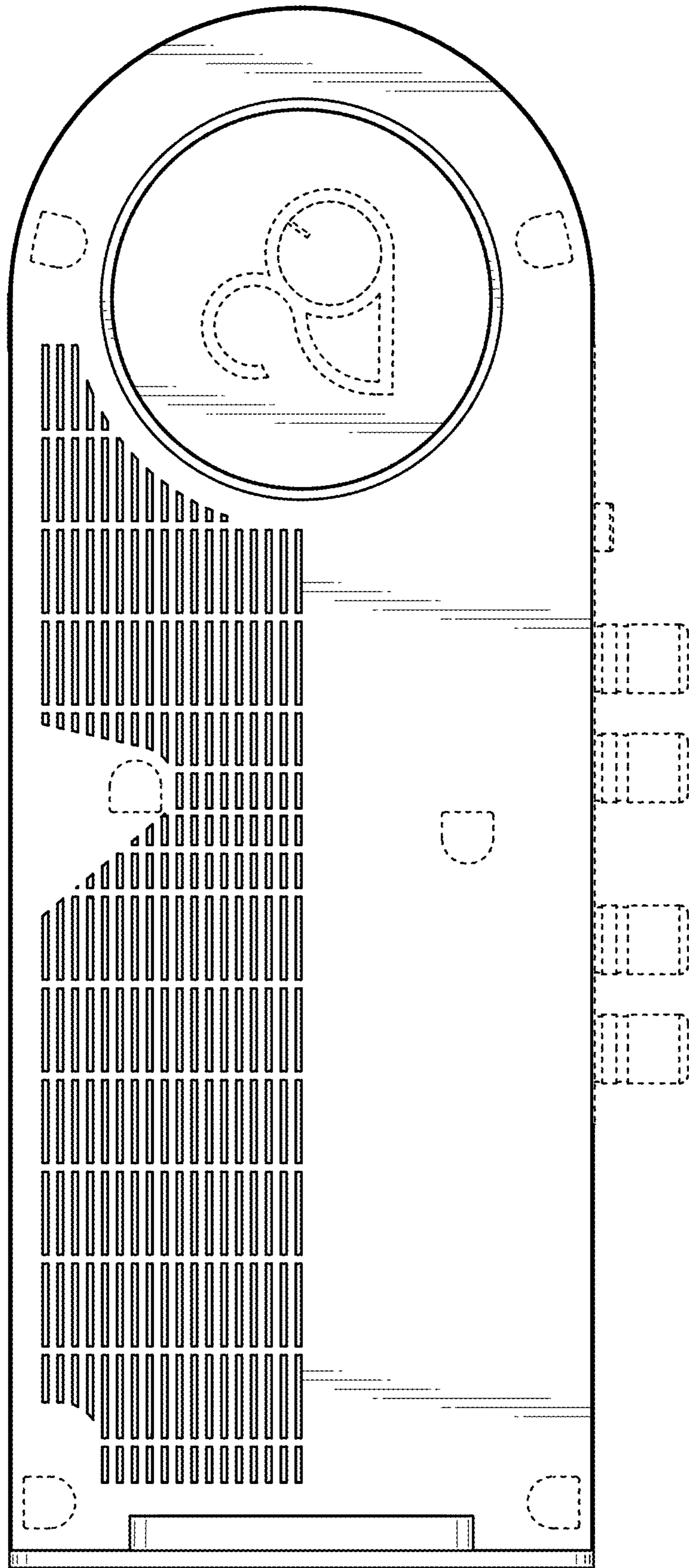


FIG. 8