



US00D773430S

(12) **United States Design Patent** (10) **Patent No.:** **US D773,430 S**
Holzer (45) **Date of Patent:** **** Dec. 6, 2016**

(54) **DOCKING MEDIA PLAYER CLOCK RADIO**

(71) Applicant: **Eric Holzer**, Manville, NJ (US)

(72) Inventor: **Eric Holzer**, Manville, NJ (US)

(73) Assignee: **SDI TECHNOLOGIES, INC.**,
Rahway, NJ (US)

(**) Term: **15 Years**

(21) Appl. No.: **29/536,398**

(22) Filed: **Aug. 17, 2015**

(51) **LOC (10) Cl.** **14-01**

(52) **U.S. Cl.**
USPC **D14/171**

(58) **Field of Classification Search**
USPC D12/192, 195, 415, 420; D14/496,
D14/498-506, 154, 157, 168-171,
188-198, D14/257-258; 248/27.1, 27.3,
558; 455/347, 455/350
CPC B60R 11/02; B60K 37/04; B60K 37/06;
H04B 1/08; H04B 1/082
See application file for complete search history.

(56) **References Cited**

U.S. PATENT DOCUMENTS

D577,709 S * 9/2008 Skurdal D14/171
D583,358 S * 12/2008 Joseph D14/171
D587,675 S * 3/2009 Xie D14/168
D600,251 S * 9/2009 Poandl D14/168
D622,260 S * 8/2010 Poandl D14/171
D645,841 S * 9/2011 Joseph D14/171
D656,919 S * 4/2012 Skurdal D14/171
D658,151 S * 4/2012 Joseph D14/171
D666,577 S * 9/2012 Skurdal D14/171

D676,412 S * 2/2013 Holzer D14/171
D676,413 S * 2/2013 Poandl D14/171
D709,856 S * 7/2014 Holzer D14/171
D710,819 S * 8/2014 Poandl D14/171
D726,682 S * 4/2015 Kim D14/170

* cited by examiner

Primary Examiner — Sandra Morris

(74) *Attorney, Agent, or Firm* — Ostrolenk Faber LLP

(57) **CLAIM**

The ornamental design for a docking media player clock radio, as shown and described.

DESCRIPTION

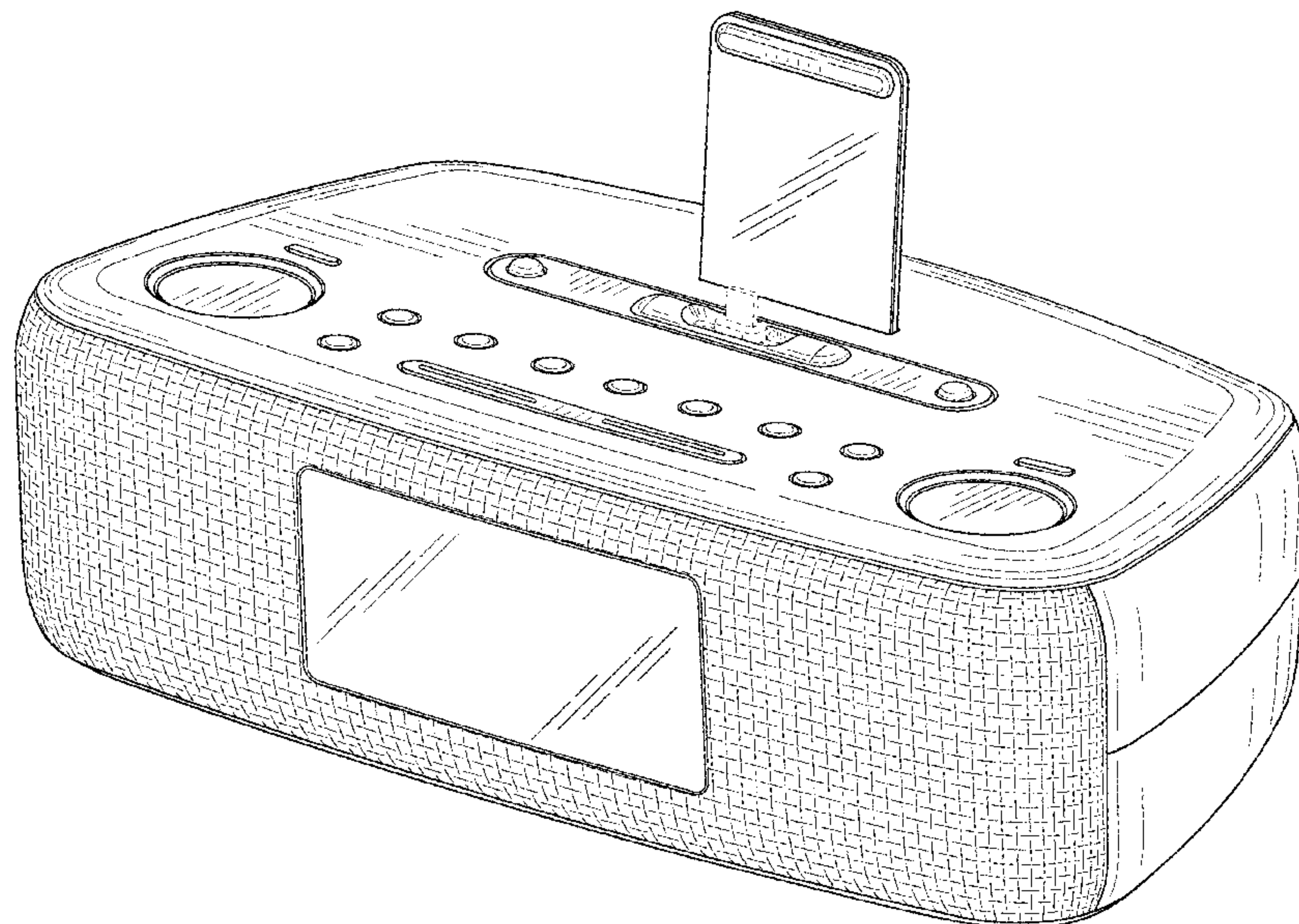
FIG. 1 is a top, front perspective view of a docking media player clock radio showing my new design;
FIG. 2 is a front view thereof;
FIG. 3 is a rear view thereof;
FIG. 4 is a right side view thereof, the left side view thereof being a mirror image;
FIG. 5 is a top view thereof;
FIG. 6 is a bottom view thereof;
FIG. 7 is a cross-sectional view thereof along line 7-7 in FIG. 5; and,
FIG. 8 is a cross-sectional view thereof along line 8-8 in FIG. 5.

The broken lines in the drawings illustrate environmental material that forms no part of the claimed design.

The intersecting broken lines on the front of the design in FIGS. 1, 2, 4, 5 and 6 illustrate cloth.

FIG. 8 illustrates a cross section including a hole into the rear toward one side of the rear. There is another such hole toward the other side of the rear.

1 Claim, 8 Drawing Sheets



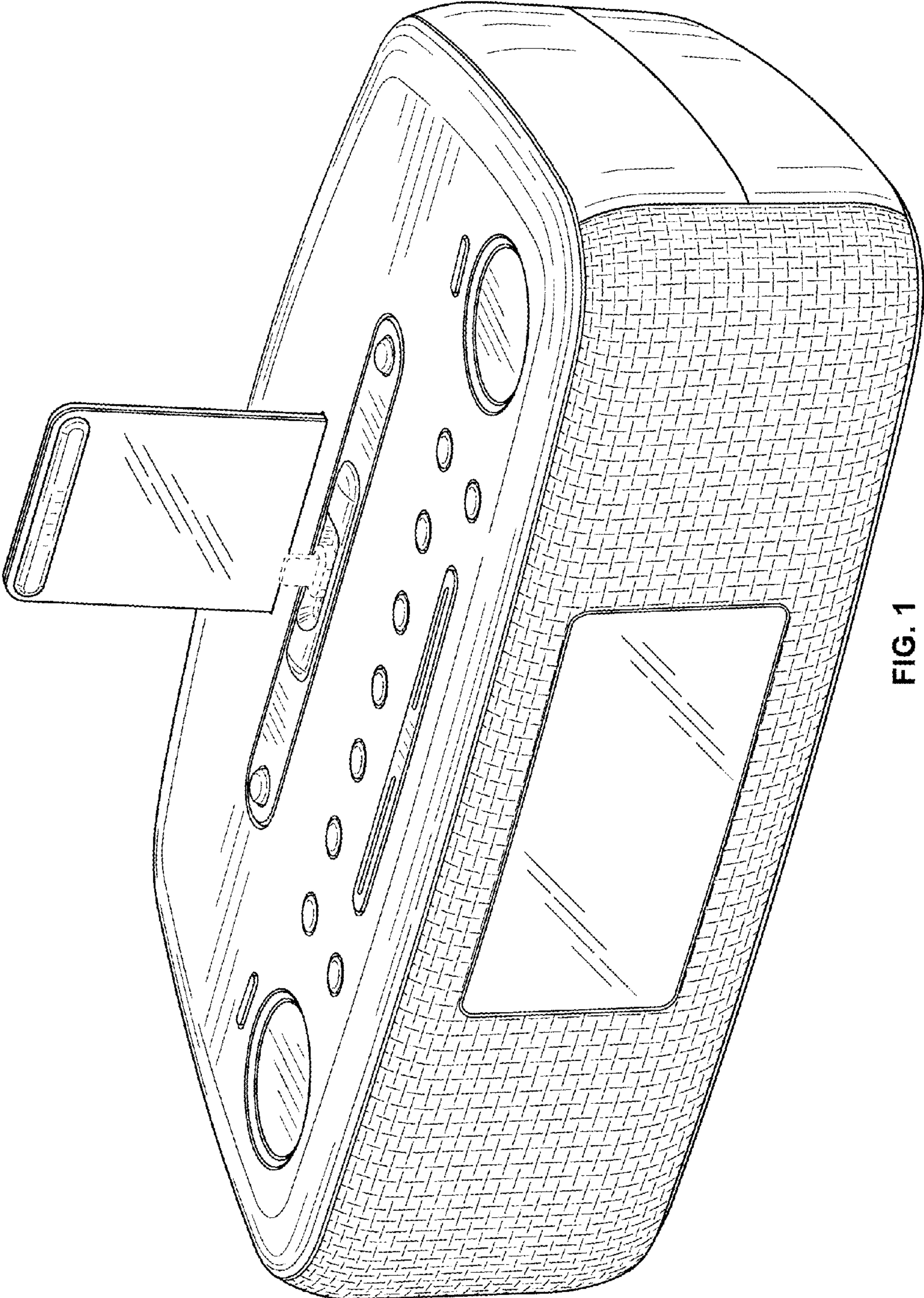


FIG. 1

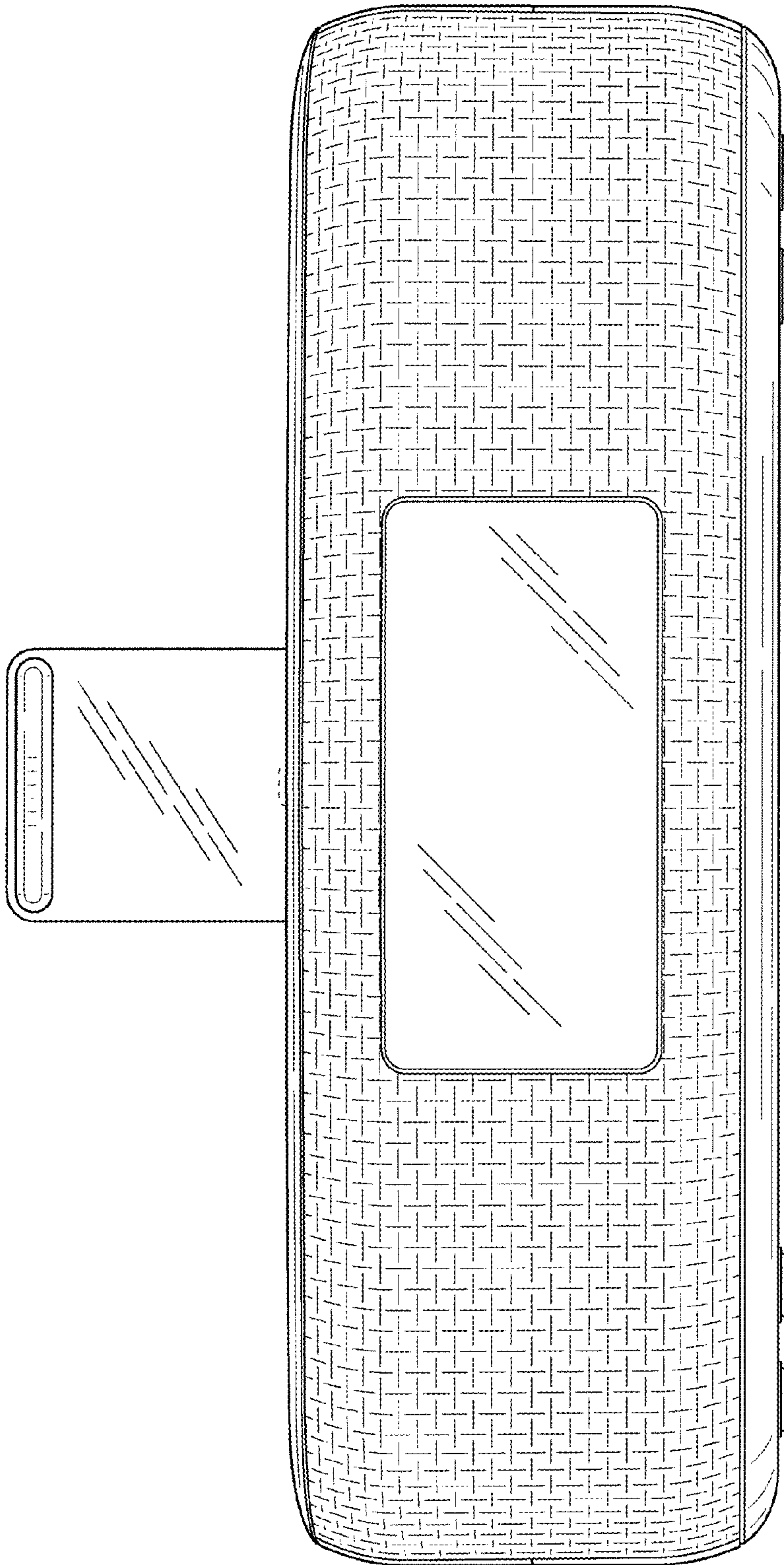


FIG. 2

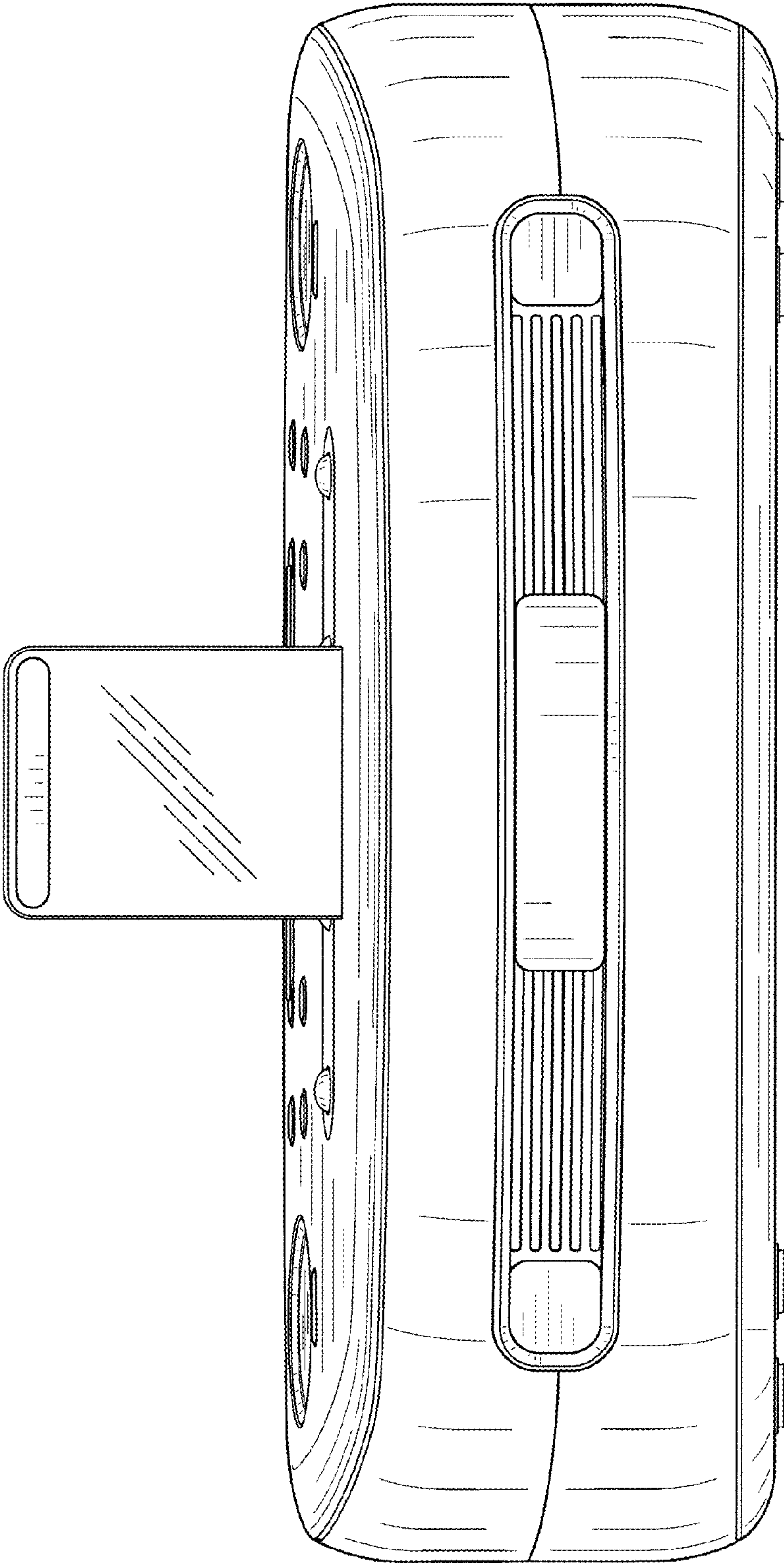


FIG. 3

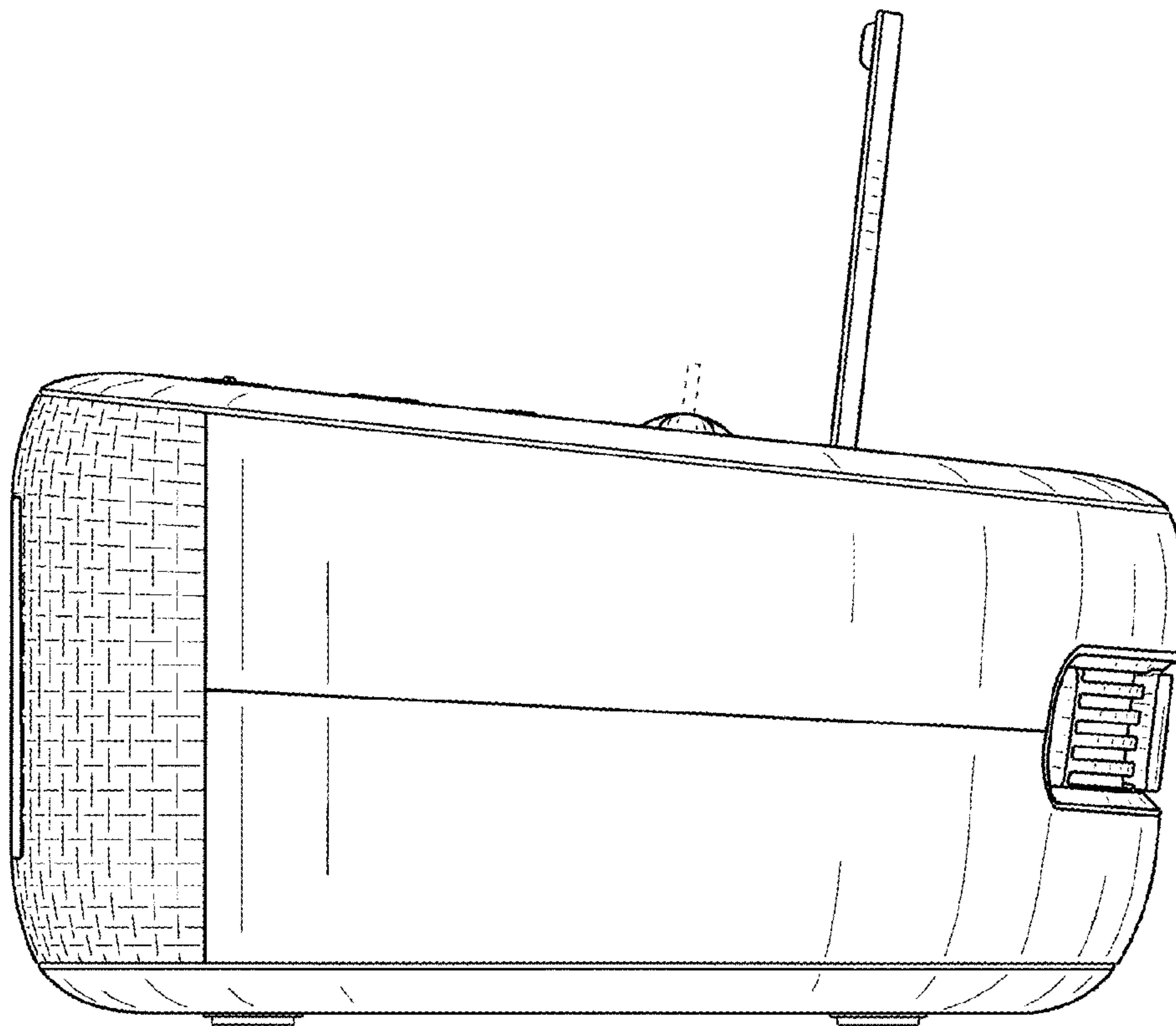


FIG. 4

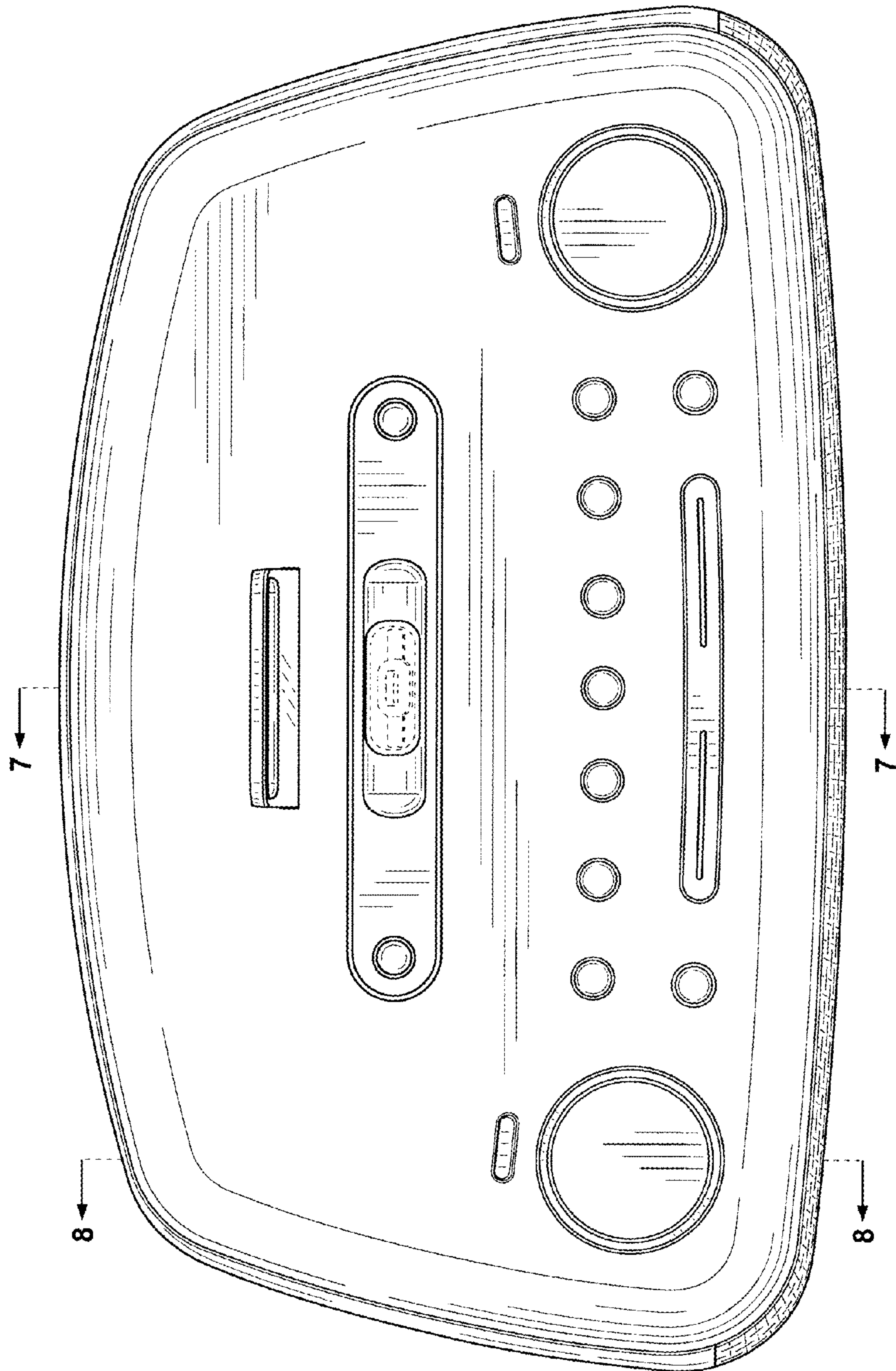


FIG. 5



FIG. 6

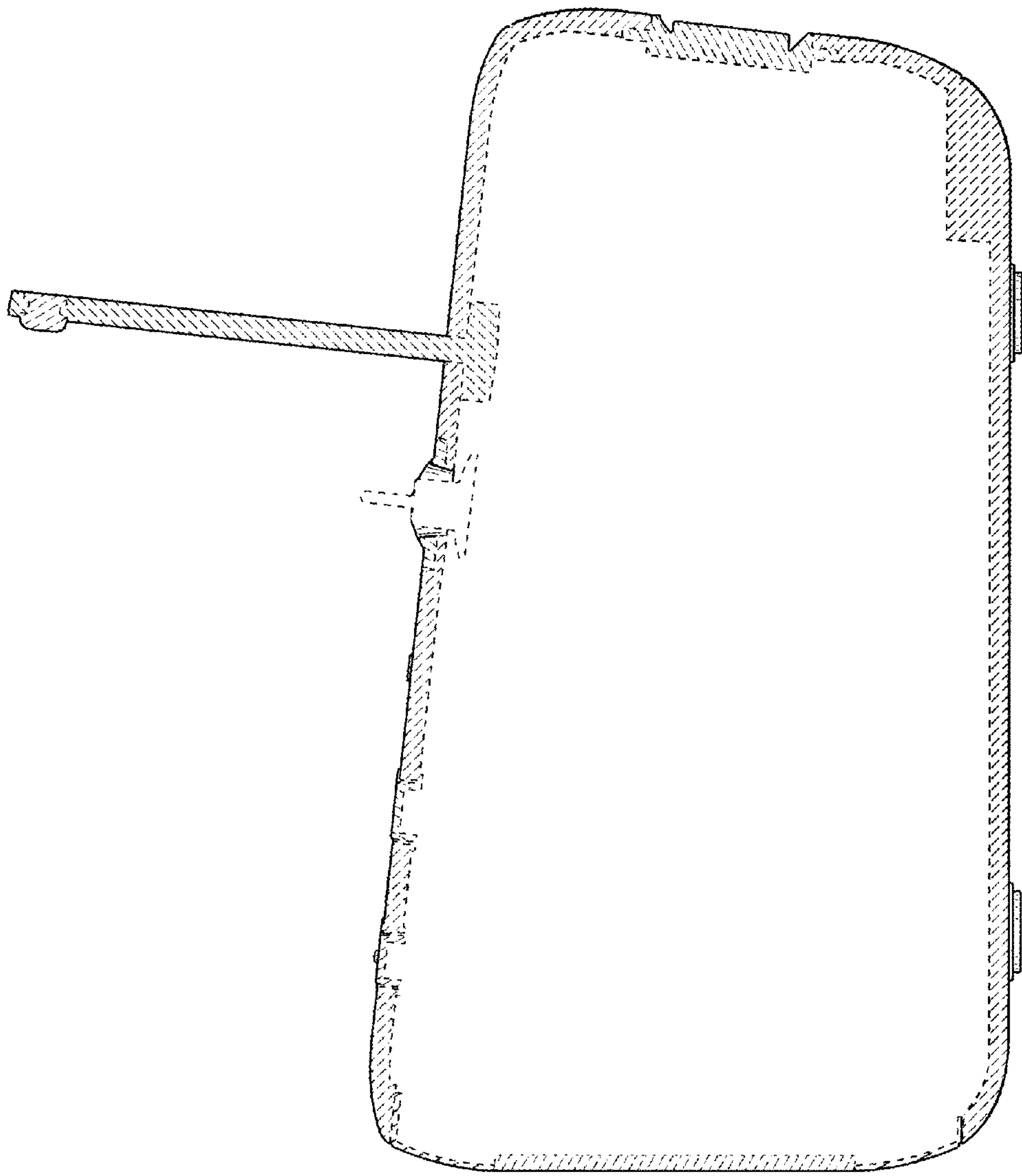


FIG. 7

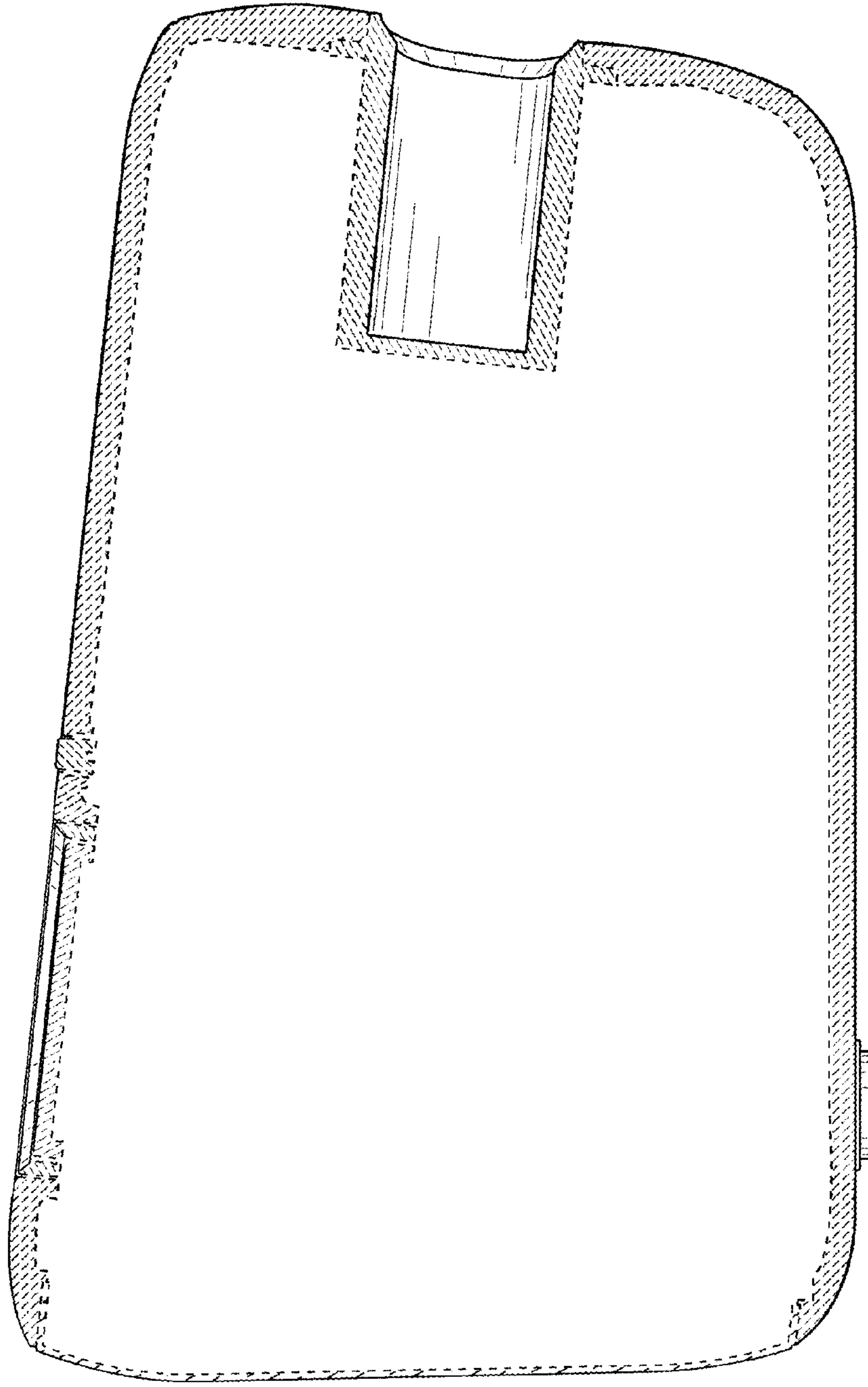


FIG. 8