



US00D773427S

(12) **United States Design Patent**  
**Kondo et al.**

(10) **Patent No.:** **US D773,427 S**  
(45) **Date of Patent:** **\*\* Dec. 6, 2016**

(54) **SIGNAL RELAY DEVICE**

(71) Applicant: **MITSUBISHI ELECTRIC CORPORATION**, Tokyo (JP)

(72) Inventors: **Atsushi Kondo**, Tokyo (JP); **Jun Shibuya**, Tokyo (JP); **Masaru Yoneda**, Tokyo (JP)

(73) Assignee: **Mitsubishi Electric Corporation**, Tokyo (JP)

(\*\*) Term: **15 Years**

(21) Appl. No.: **29/536,634**

(22) Filed: **Aug. 18, 2015**

(30) **Foreign Application Priority Data**

Mar. 18, 2015 (JP) ..... 2015-005746

(51) **LOC (10) Cl.** ..... **14-03**

(52) **U.S. Cl.**  
USPC ..... **D14/155**; D13/159; D14/358

(58) **Field of Classification Search**  
USPC ..... D13/110, 123, 133, 154, 158-160, 173, D13/184, 199; D14/358, 137, 155, 188  
CPC ..... H01R 13/66; H01R 12/00; H01R 3/06; H01R 4/32; H01R 4/36; H01R 4/40; H01R 4/60; H01R 4/64; H01R 4/66; H01R 11/09; H01R 11/12; H01R 13/52; H01R 4/363; H01R 4/366; H01R 4/301; H01H 9/54; H01H 9/00; H01H 9/02; H01H 67/02; H01H 51/00; H01H 51/22; H01H 47/00; H01H 47/02; H01H 3/00; H01J 5/00; B65D 59/06; G11B 33/027; G11B 33/122; G11B 33/124; G11B 33/022; G11B 33/025

See application file for complete search history.

(56) **References Cited**

U.S. PATENT DOCUMENTS

D370,465	S	*	6/1996	Yee	.....	D13/159
D371,113	S	*	6/1996	Hubbell	.....	D13/160
6,307,153	B2	*	10/2001	Imoto	.....	174/50
D605,119	S	*	12/2009	Pape	.....	D13/123
D605,120	S	*	12/2009	Pape	.....	D13/123
D700,896	S	*	3/2014	Shimamoto	.....	D13/159
D739,353	S	*	9/2015	Mielnik	.....	D13/123
D758,365	S	*	6/2016	Shimano	.....	D14/358

\* cited by examiner

*Primary Examiner* — Thomas Johannes

*Assistant Examiner* — Shawn T Gingrich

(74) *Attorney, Agent, or Firm* — Studebaker & Brackett PC

(57) **CLAIM**

The ornamental design for a signal relay device, as shown and described.

**DESCRIPTION**

FIG. 1 is a perspective view of the front, right, and top sides of a signal relay device showing our new design; FIG. 2 is a perspective view of the front, left, and bottom sides of a signal relay device showing our new design; FIG. 3 is a front view thereof; FIG. 4 is a rear view thereof; FIG. 5 is a left side view thereof; FIG. 6 is a right side view thereof; FIG. 7 is a top plan view thereof; FIG. 8 is a bottom view thereof; and, FIG. 9 is a reference view showing a connected state. The broken lines shown represent unclaimed subject matter of the signal relay device and form no part of the claimed design.

**1 Claim, 8 Drawing Sheets**

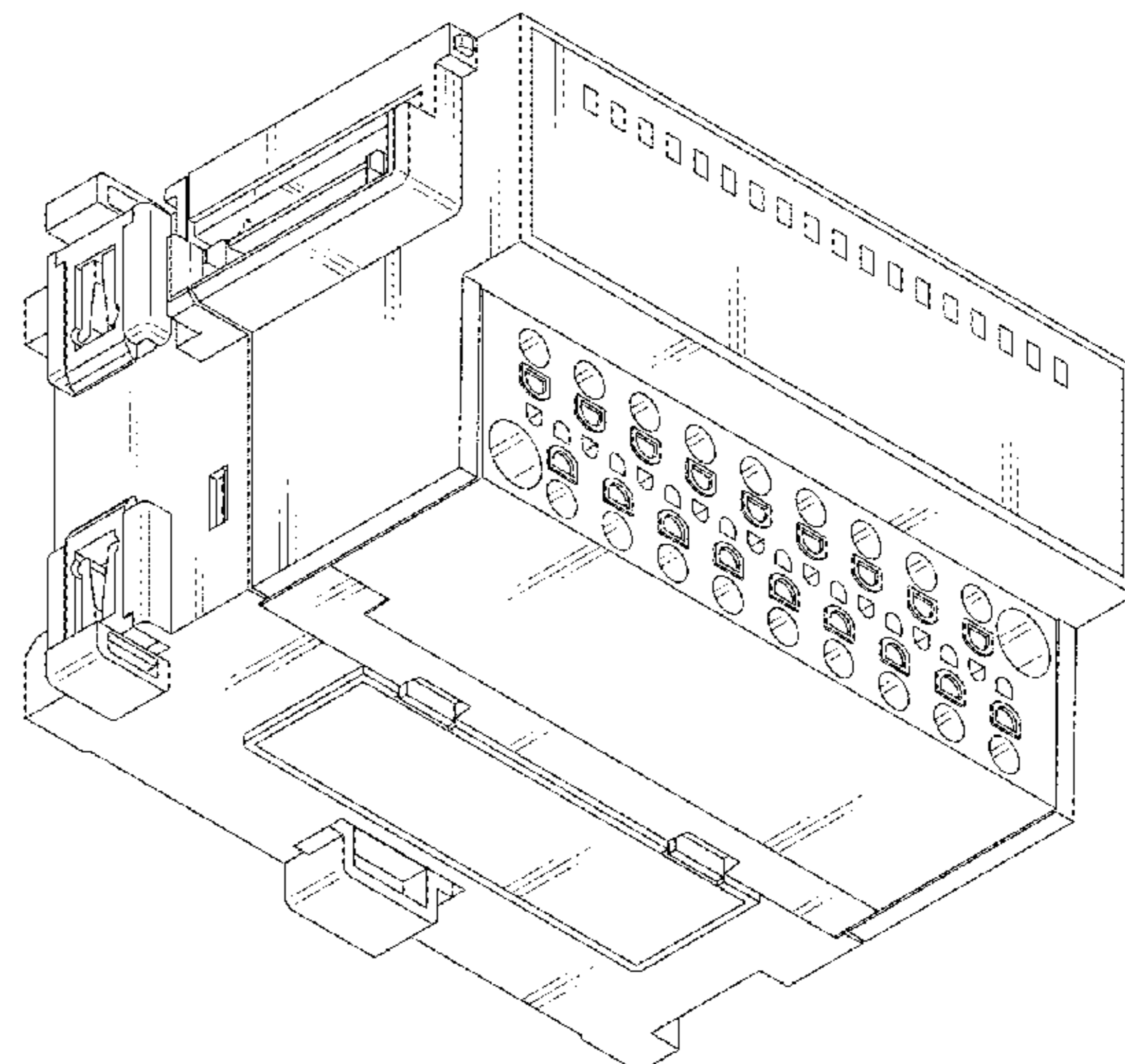
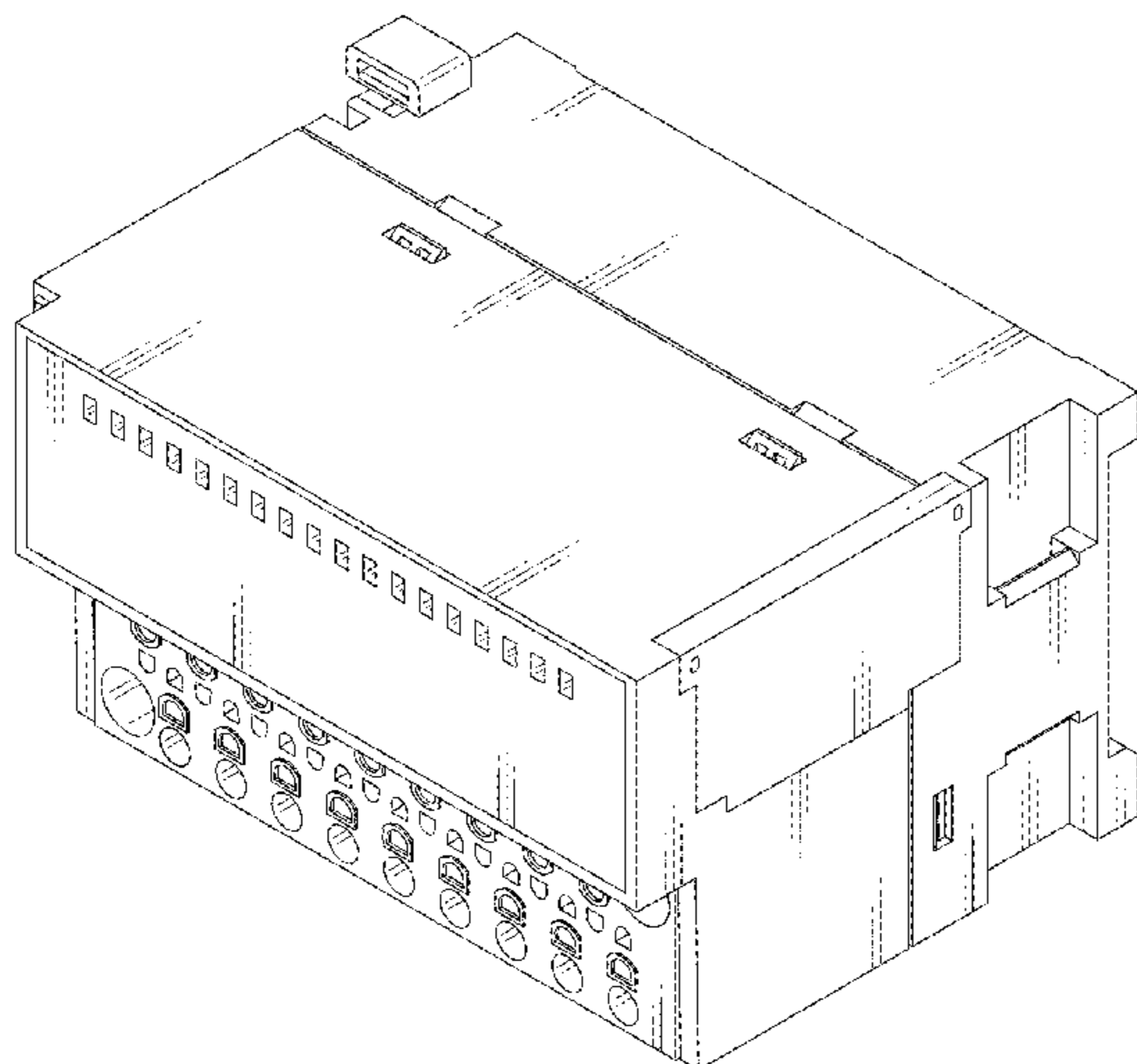


Fig. 1

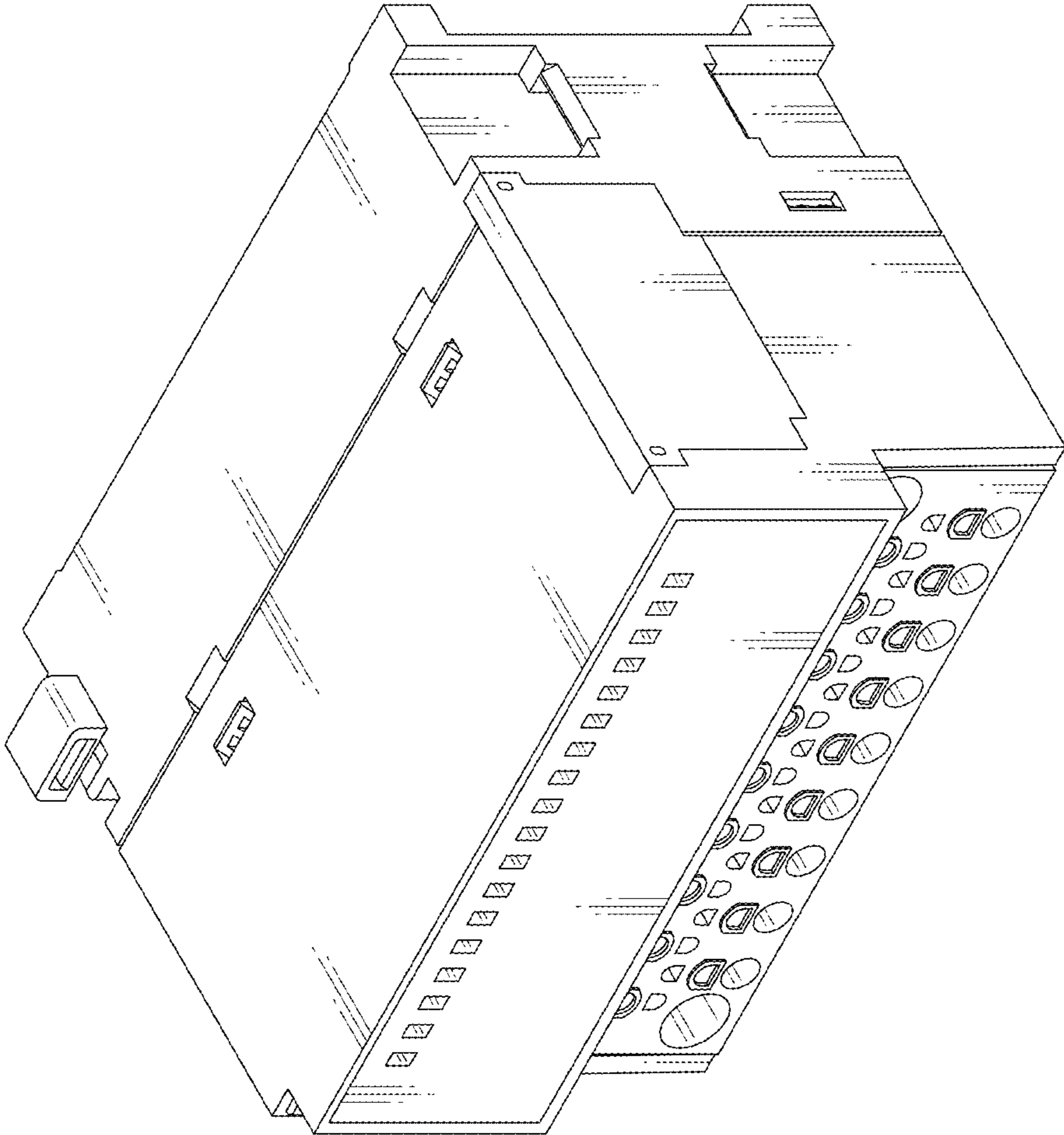


Fig. 2

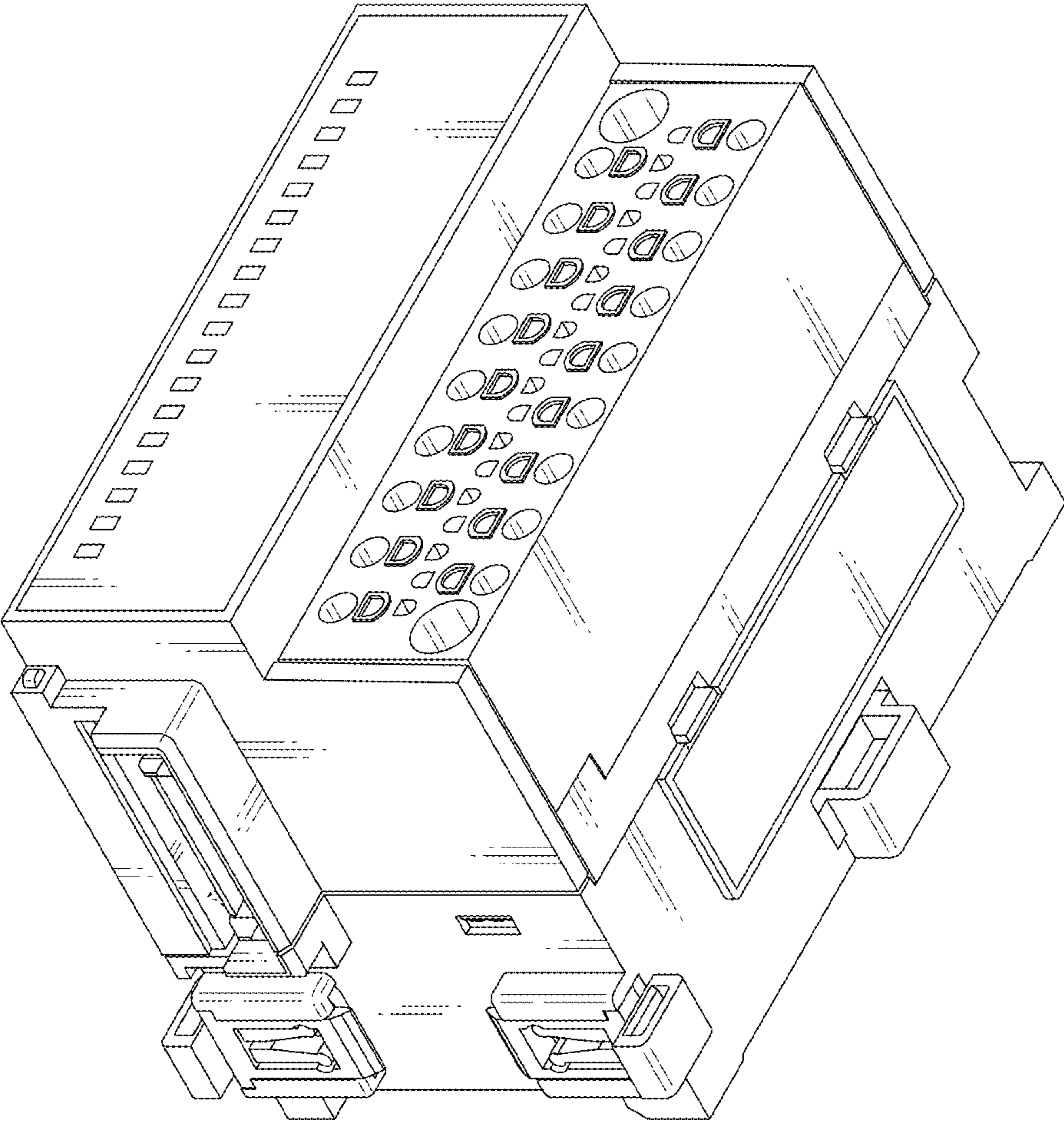




Fig. 3

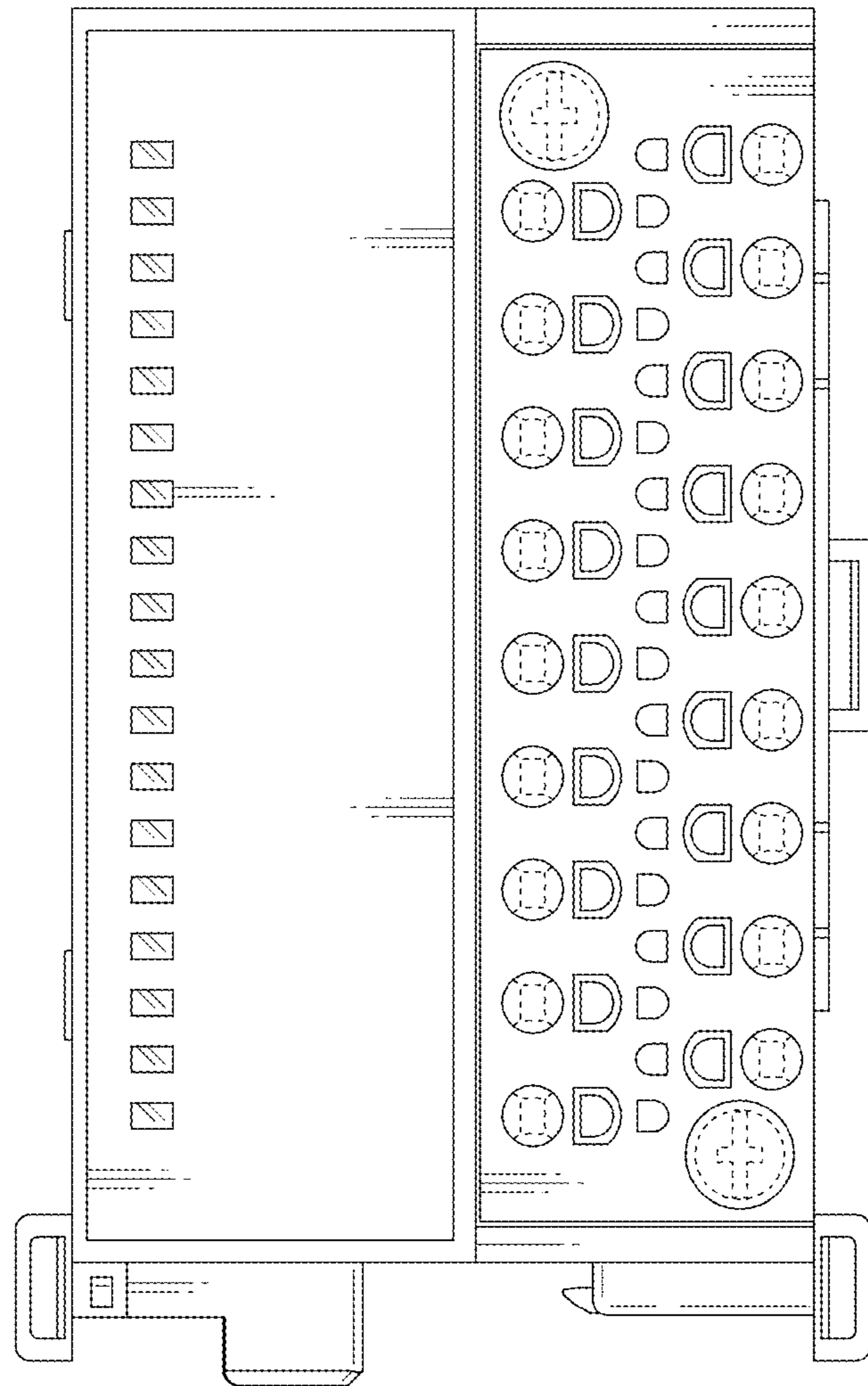
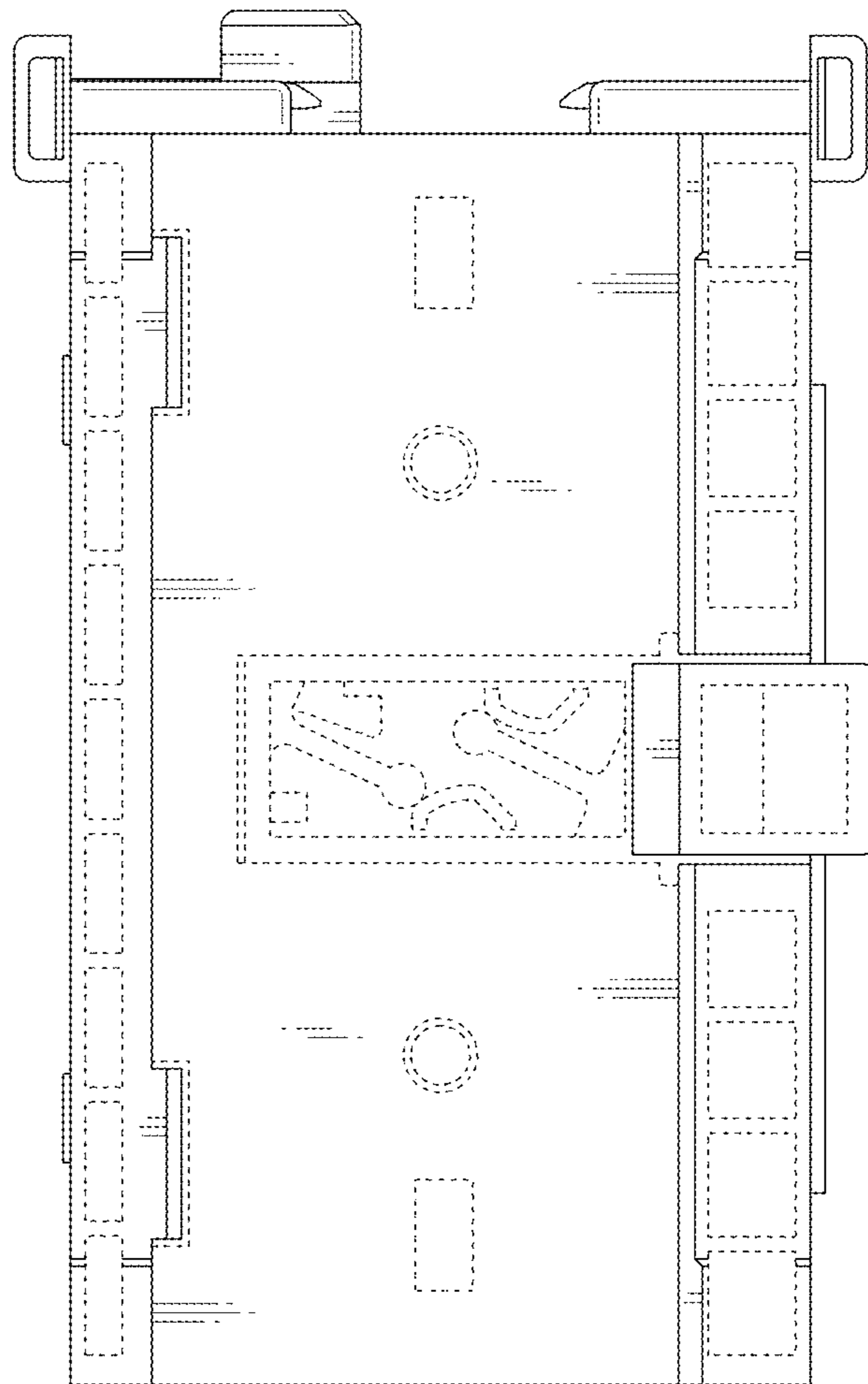


Fig. 4



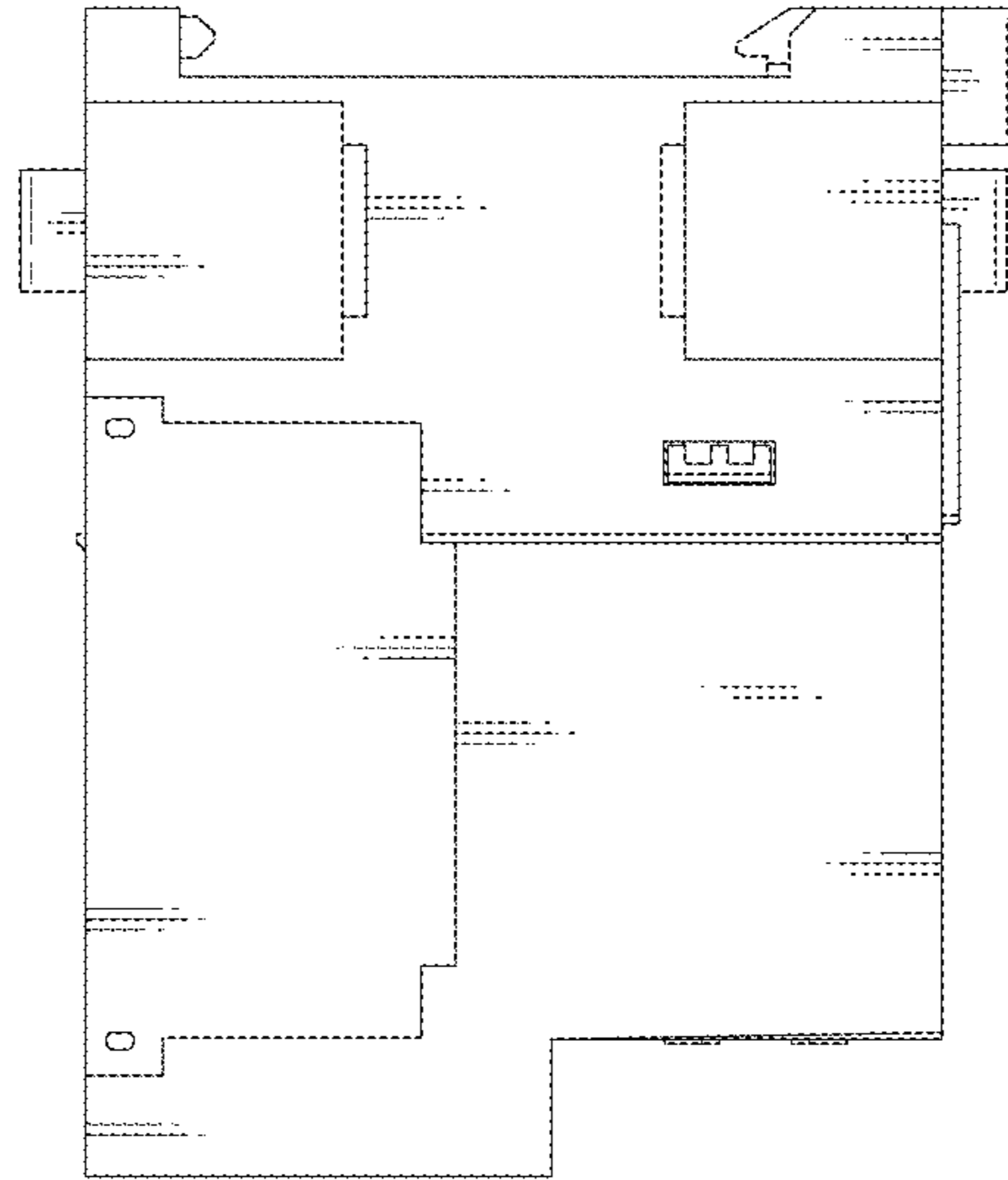


Fig. 6

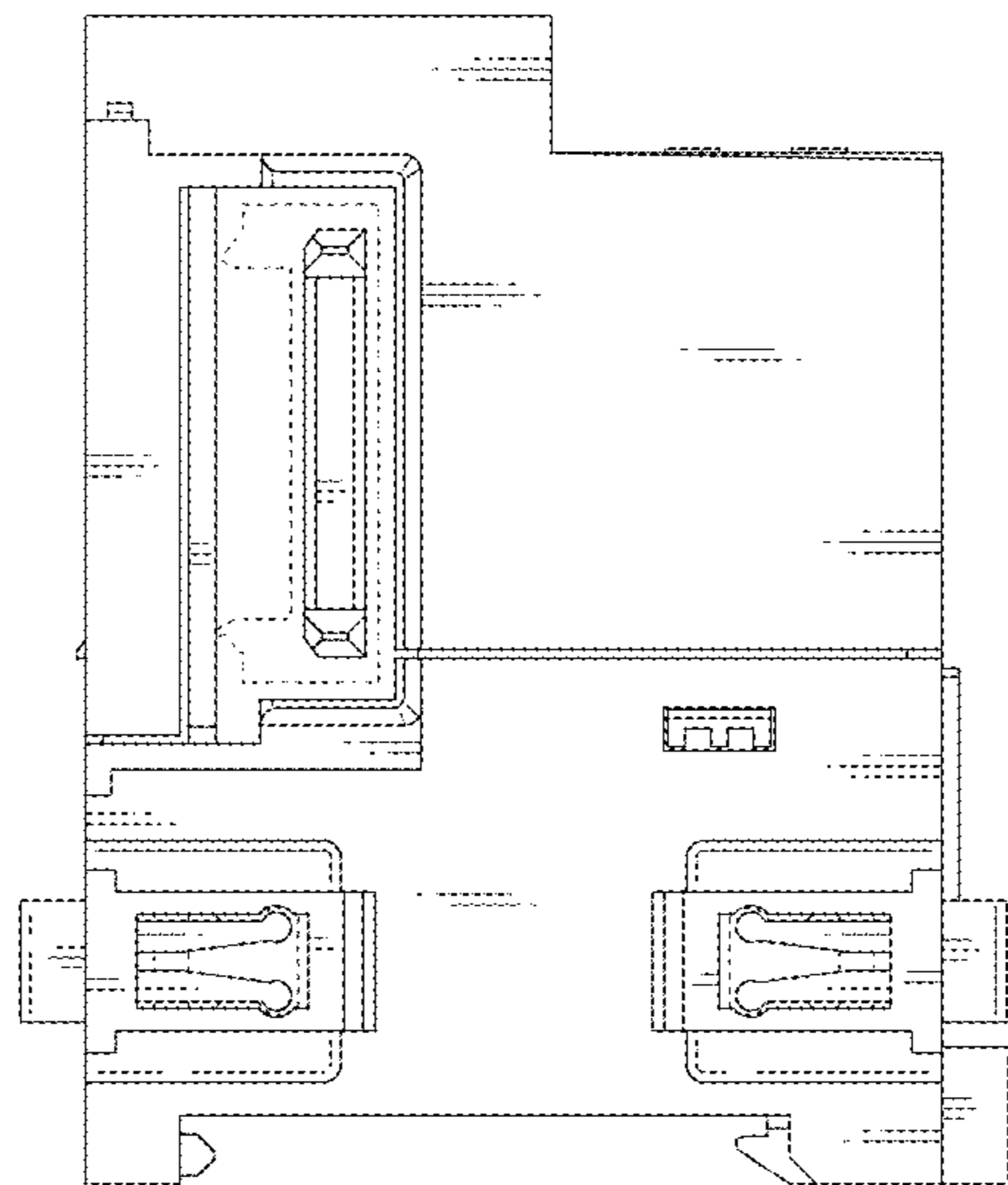


Fig. 5

Fig. 7

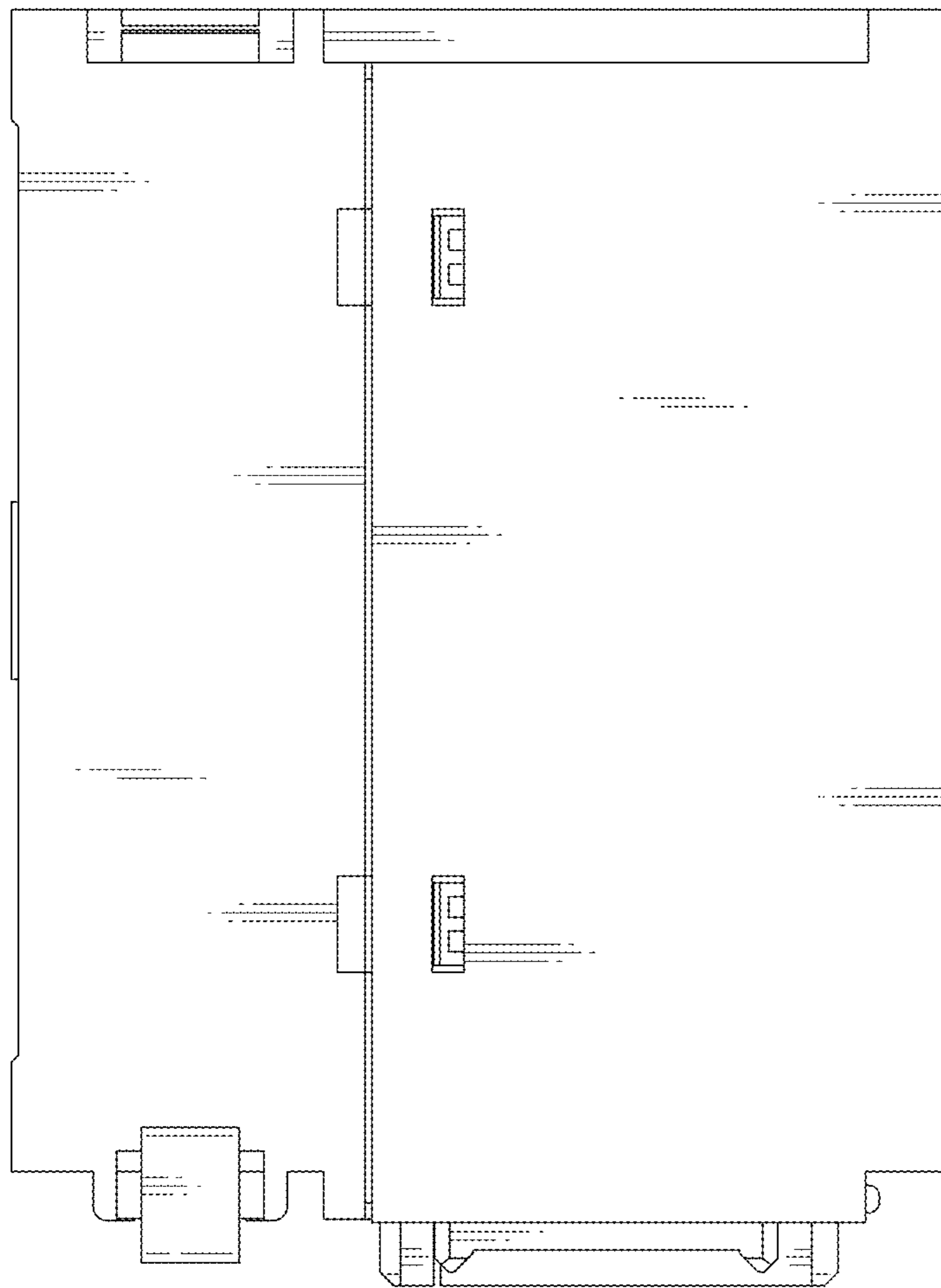
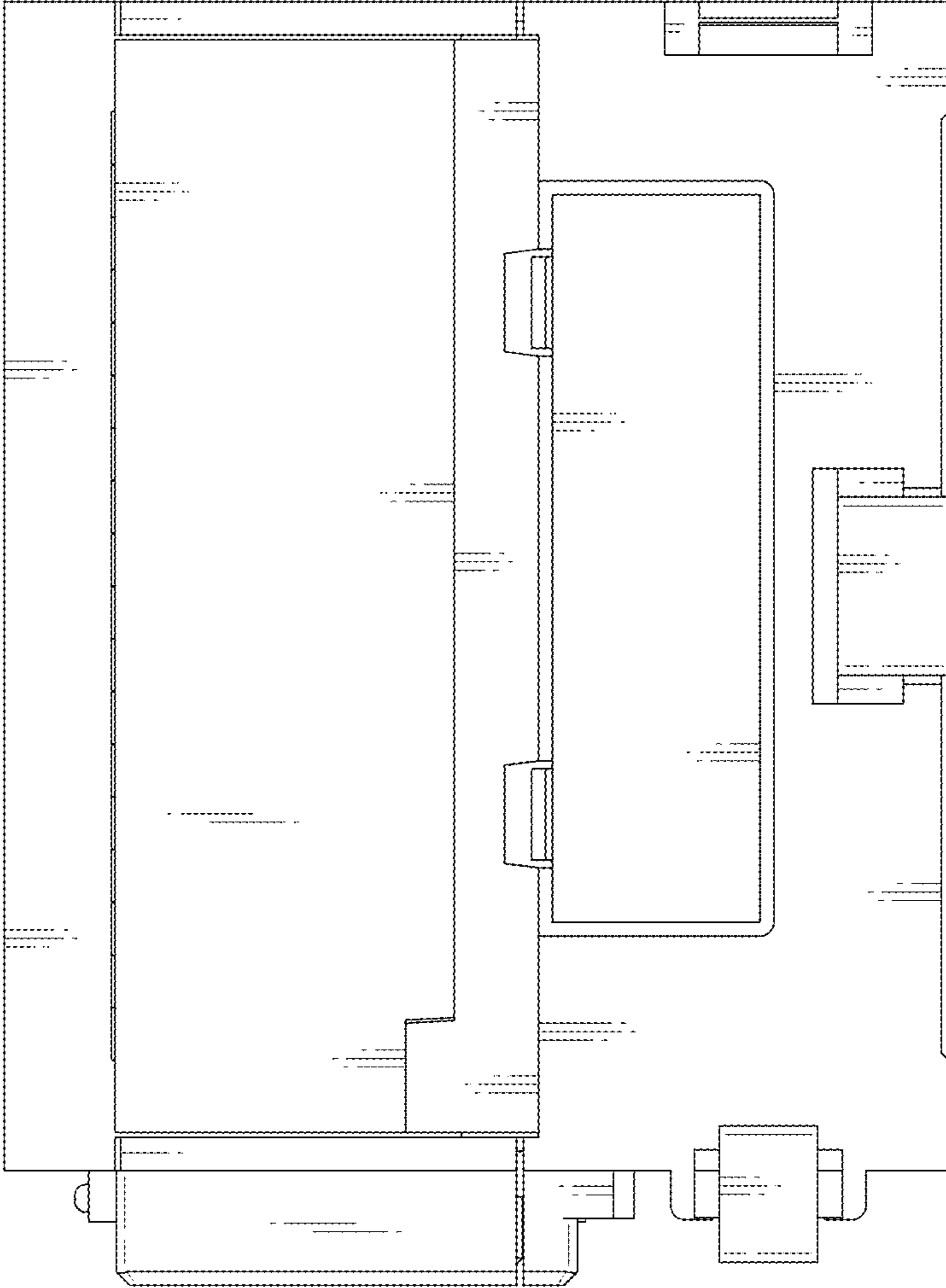


Fig. 8





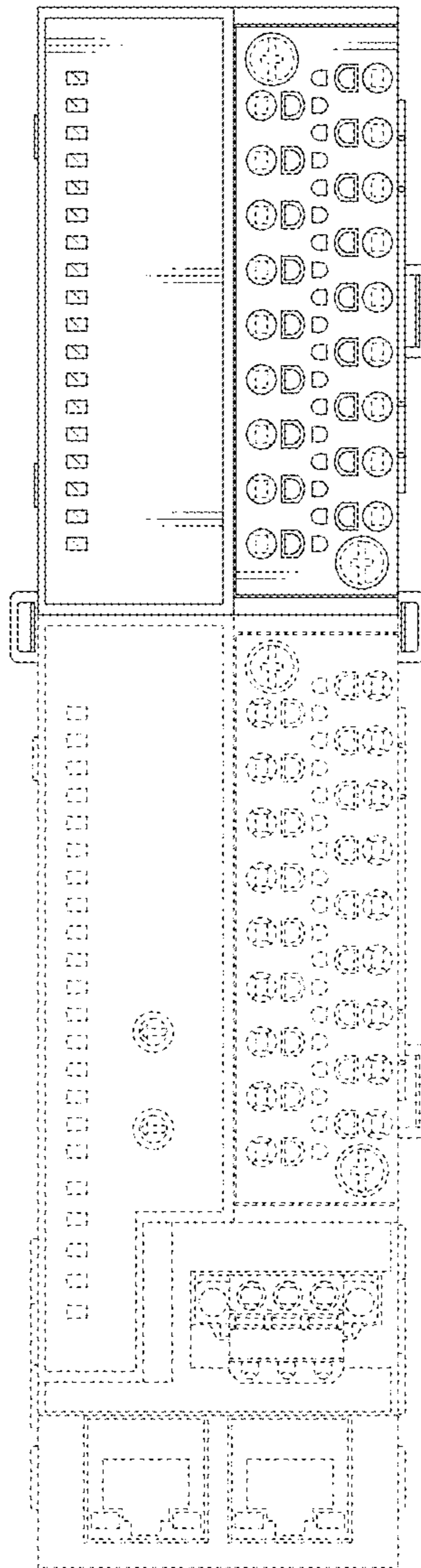


Fig. 9