



US00D773420S

(12) **United States Design Patent**  
**Kim et al.**

(10) **Patent No.: US D773,420 S**

(45) **Date of Patent: \*\* Dec. 6, 2016**

(54) **TV RECEIVER**

(71) Applicant: **LG ELECTRONICS INC.**, Seoul  
(KR)

(72) Inventors: **Byungsoo Kim**, Seoul (KR); **Seongahn Jeon**, Seoul (KR); **Hana Kim**, Seoul (KR)

(73) Assignee: **LG ELECTRONICS INC.**, Seoul (KR)

(\*\*) Term: **15 Years**

(21) Appl. No.: **29/551,412**

(22) Filed: **Jan. 13, 2016**

(30) **Foreign Application Priority Data**

Jul. 13, 2015 (KR) ..... 30-2015-0035182

(51) **LOC (10) Cl.** ..... **14-03**

(52) **U.S. Cl.**  
USPC ..... **D14/126**

(58) **Field of Classification Search**  
USPC ..... D14/125-134, 239, 371, 136, 374-377,  
D14/440, 450, 448, 336, 342, 159;  
312/7.2;  
348/836, 838, 180, 184, 325, 739;  
248/917-924, 465; 345/104, 133, 156,  
345/168, 87, 173; D21/329, 515, 577,  
622,  
D21/333, 433, 448, 452, 450, 331, 505;  
D10/15, 26; 446/484, 175, 356;  
D6/477, 479, 300; D20/10, 19, 39;  
D16/203, 241; 160/24  
CPC .. G06F 1/1601; G06F 1/1643; G06F 1/1652;  
G06F 1/1647; G06F 3/0412; H05K  
5/0004; H05K 5/0017; H05K 5/02;  
H05K 5/0217; H04N 13/0459  
See application file for complete search history.

(56) **References Cited**

U.S. PATENT DOCUMENTS

D323,338 S \* 1/1992 Court ..... 160/24  
6,498,597 B1 \* 12/2002 Sawano ..... G09F 11/29  
345/107  
D503,045 S \* 3/2005 Hahn ..... D6/300  
7,050,835 B2 \* 5/2006 Hack ..... H04M 1/0208  
379/447  
D568,364 S \* 5/2008 Jeoung ..... D16/241  
D578,574 S \* 10/2008 Lundgren ..... D20/99

(Continued)

*Primary Examiner* — Raphael Barkai

(74) *Attorney, Agent, or Firm* — Birch, Stewart, Kolasch & Birch, LLP

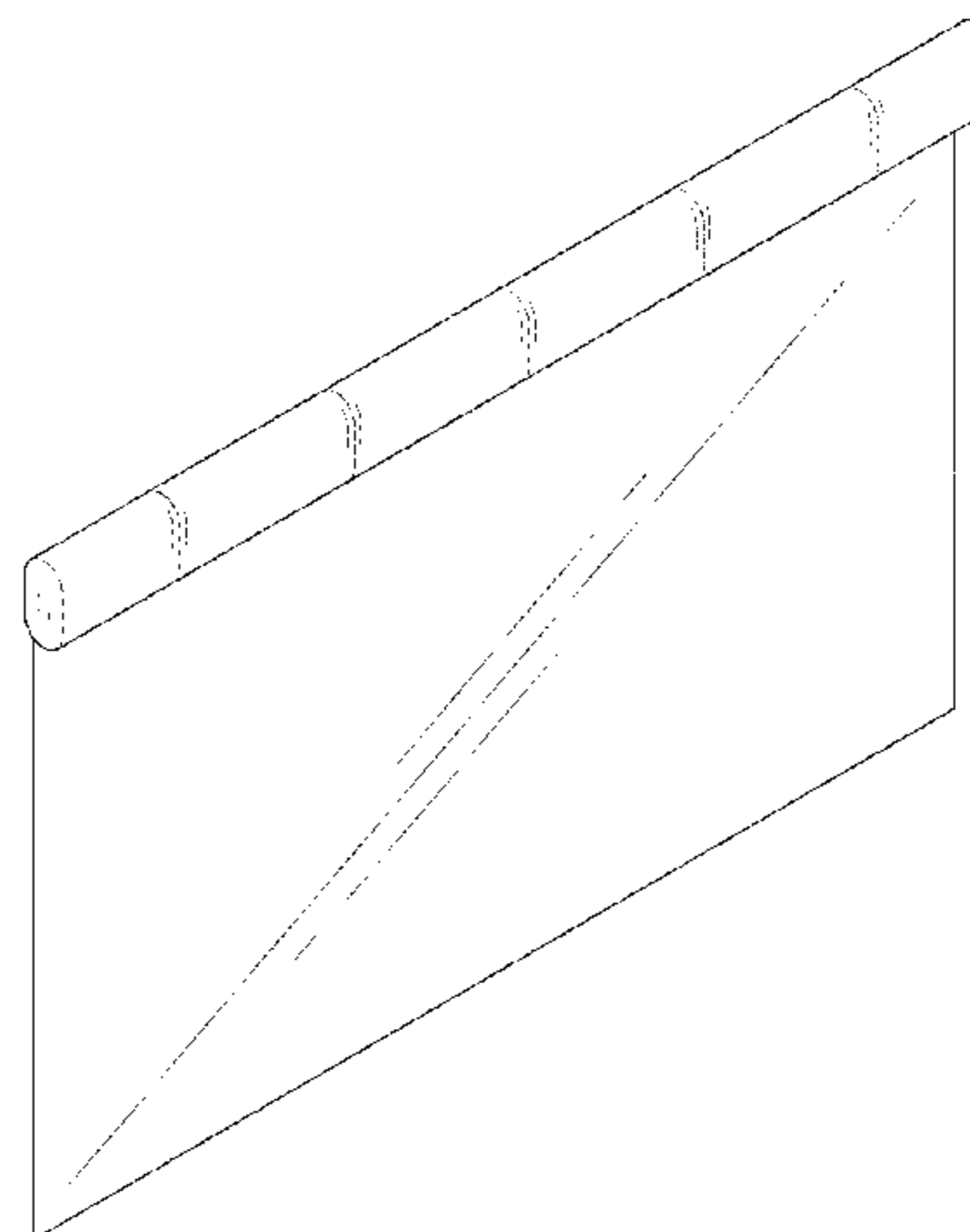
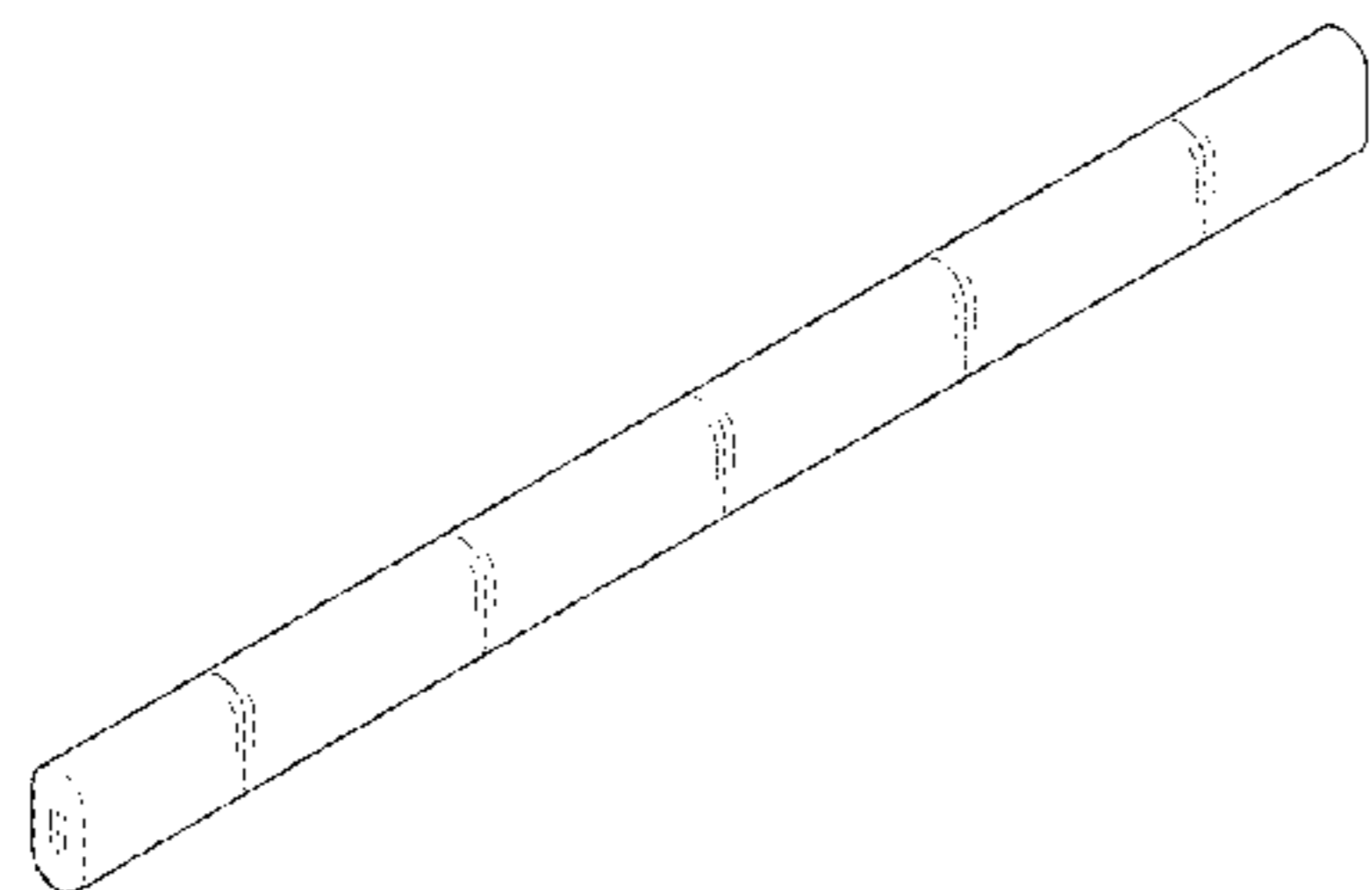
(57) **CLAIM**

The ornamental design for a TV receiver, as shown and described.

**DESCRIPTION**

FIG. 1 is a front, right side, perspective view of a TV receiver showing our new design;  
FIG. 2 is a front view thereof;  
FIG. 3 is a rear view thereof;  
FIG. 4 is a left side view thereof;  
FIG. 5 is a right side view thereof;  
FIG. 6 is a top view thereof;  
FIG. 7 is a bottom view thereof;  
FIG. 8 is a front, right side, perspective view in a use state thereof;  
FIG. 9 is a front view in a use state thereof;  
FIG. 10 is a rear view in a use state thereof;  
FIG. 11 is a left side view in a use state thereof;  
FIG. 12 is a right side view in a use state thereof;  
FIG. 13 is a top view in a use state thereof;  
FIG. 14 is a bottom view in a use state thereof; and,  
FIG. 15 is a front, right side, perspective view with the display unit that is sliding to the down thereof.  
The broken lines indicate unclaimed portion of the article that form no part of the claimed design.

**1 Claim, 6 Drawing Sheets**



(56)

**References Cited**

U.S. PATENT DOCUMENTS

7,463,238	B2 *	12/2008	Funkhouser .....	G06F 1/1601 345/107	2006/0279840	A1 *	12/2006	Yamauchi .....	G03B 21/56 359/461
D607,034	S *	12/2009	Adams .....	D16/241	2007/0121209	A1 *	5/2007	Liang .....	G03B 21/58 359/461
D607,916	S *	1/2010	Orion .....	D16/241	2008/0212271	A1 *	9/2008	Misawa .....	G02F 1/133305 361/679.01
D614,225	S *	4/2010	Adams .....	D16/241	2014/0213324	A1 *	7/2014	Tan .....	H04M 1/0268 455/566
D616,034	S *	5/2010	Carlsson .....	D20/43	2015/0029229	A1 *	1/2015	Voutsas .....	G06F 1/1652 345/661
8,274,737	B2 *	9/2012	Wang .....	G03B 21/58 359/443	2015/0047796	A1 *	2/2015	Peng .....	E06B 9/42 160/323.1
D735,709	S *	8/2015	Daniel .....	D14/341	2015/0153777	A1 *	6/2015	Liu .....	G06F 1/1652 345/173
9,189,028	B2 *	11/2015	Nakhimov .....	G06F 1/1652	2015/0220188	A1 *	8/2015	Zhao .....	G09G 3/36 345/174
D744,998	S *	12/2015	Ahn .....	D14/341					
9,244,494	B2 *	1/2016	Hinson .....	G06F 15/025					

\* cited by examiner

FIG. 1

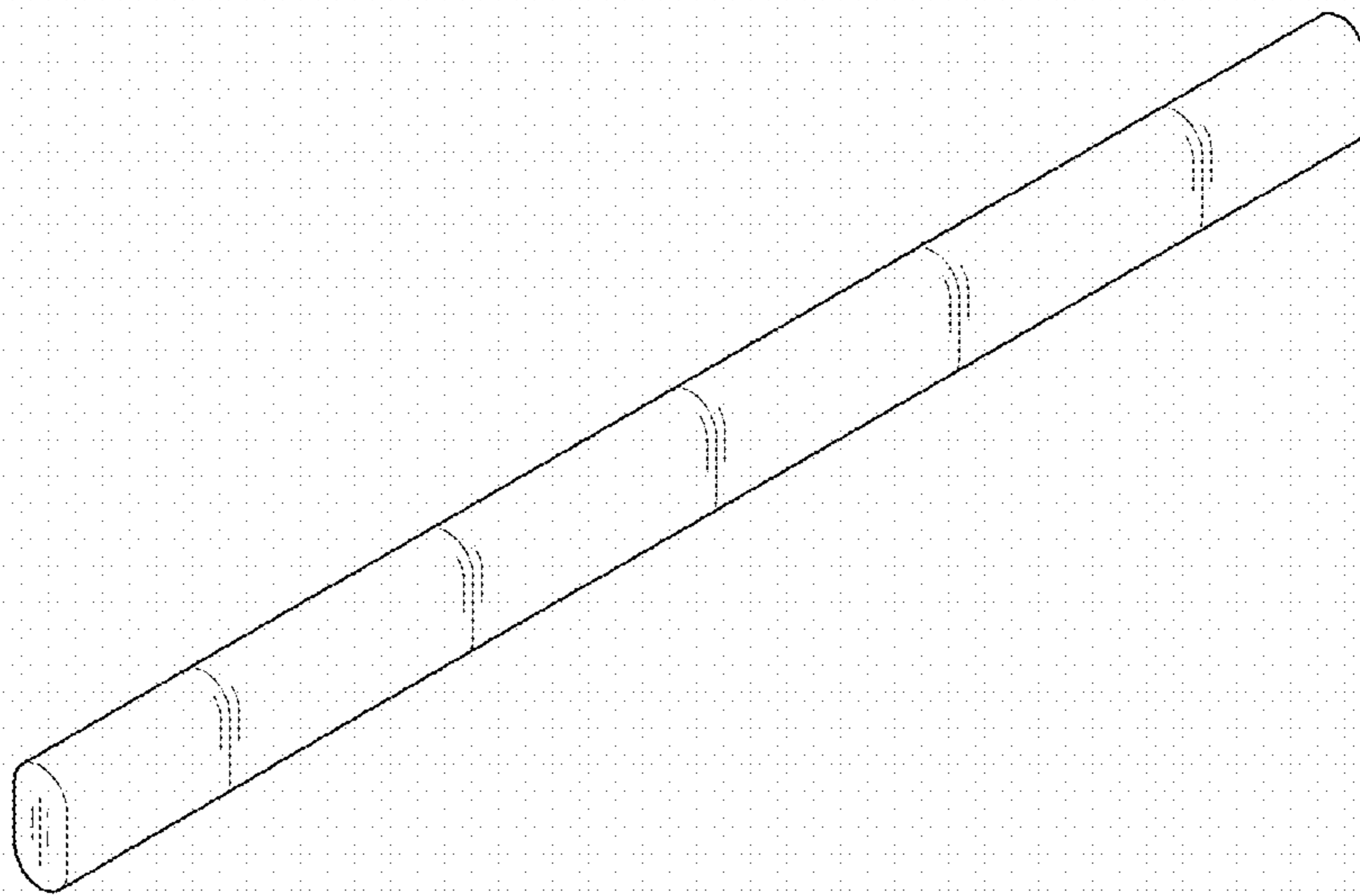


FIG. 2

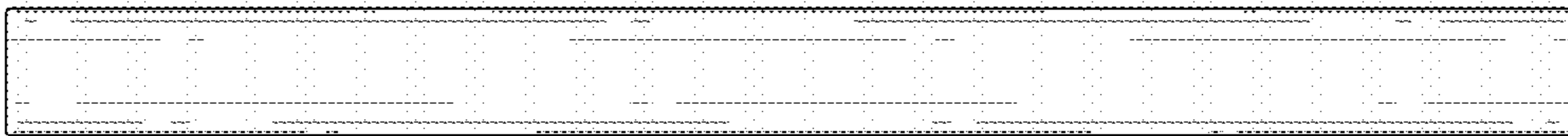


FIG. 3

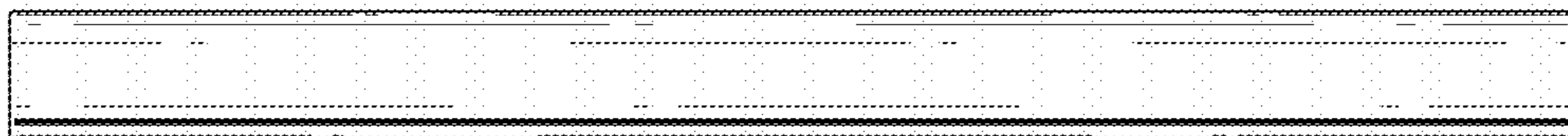


FIG. 4



FIG. 5

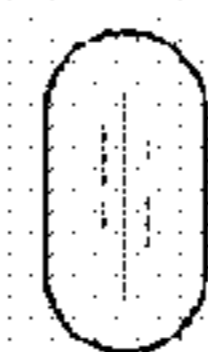


FIG. 6



FIG. 7



FIG. 8

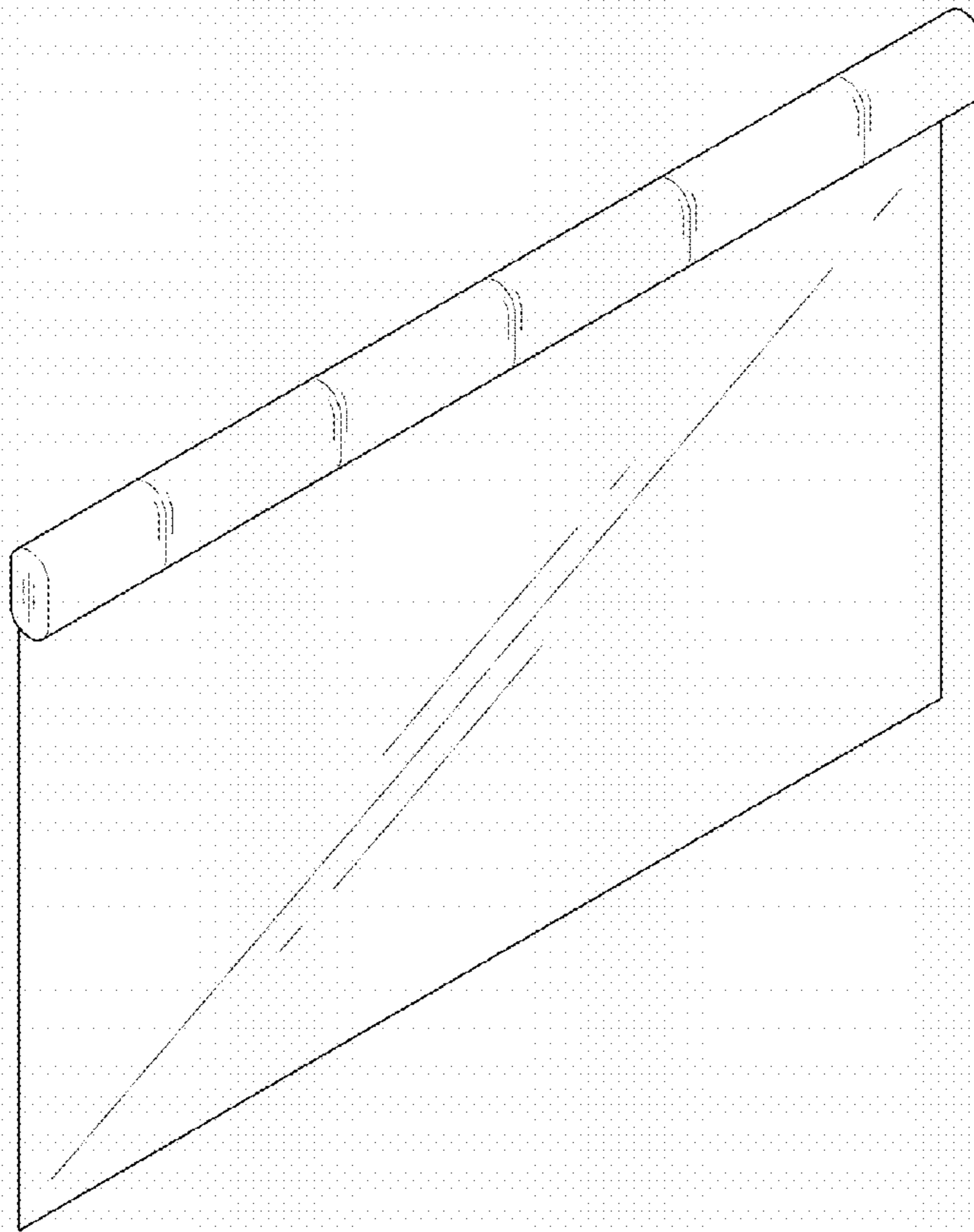


FIG. 9

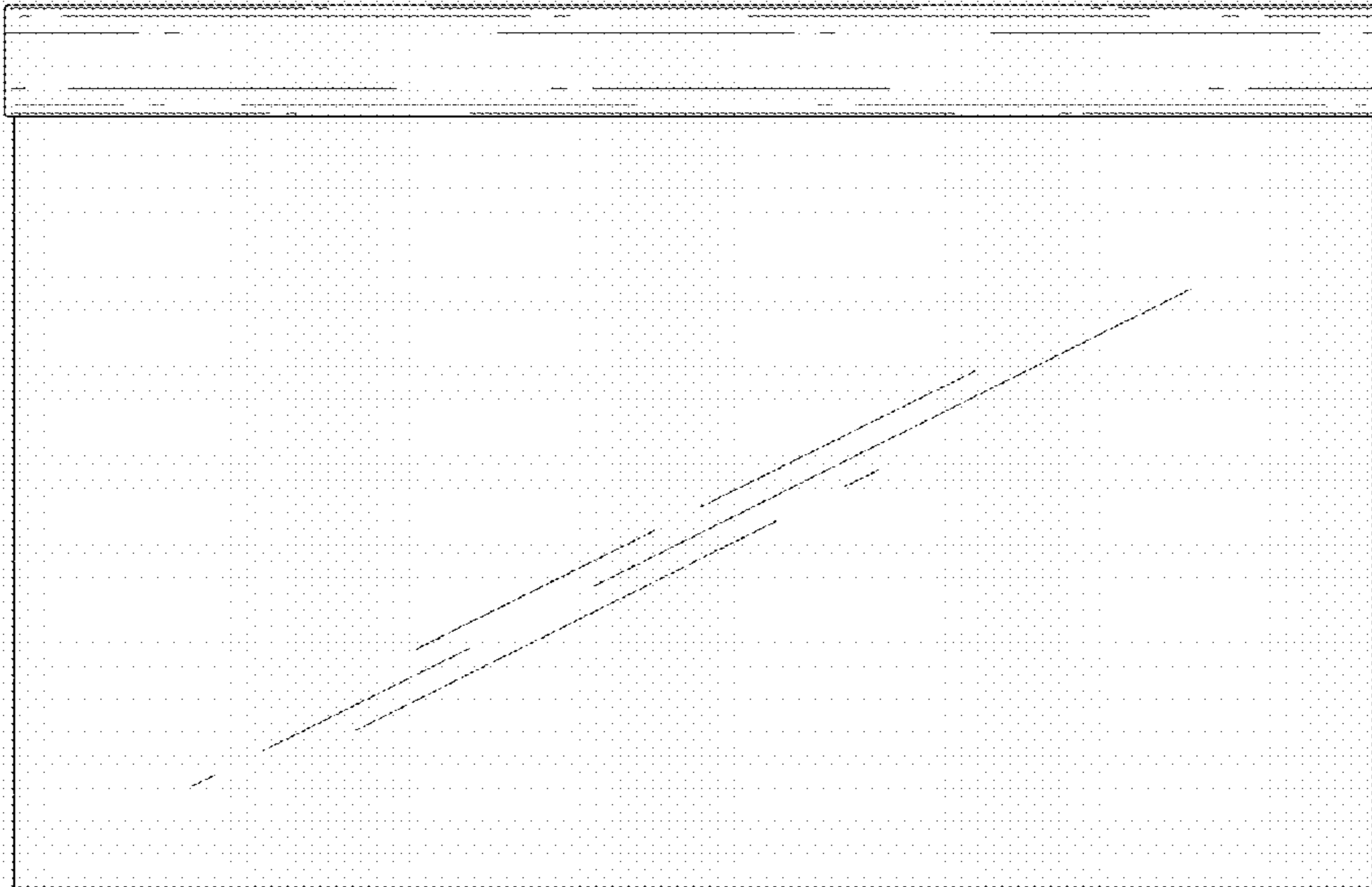


FIG. 10

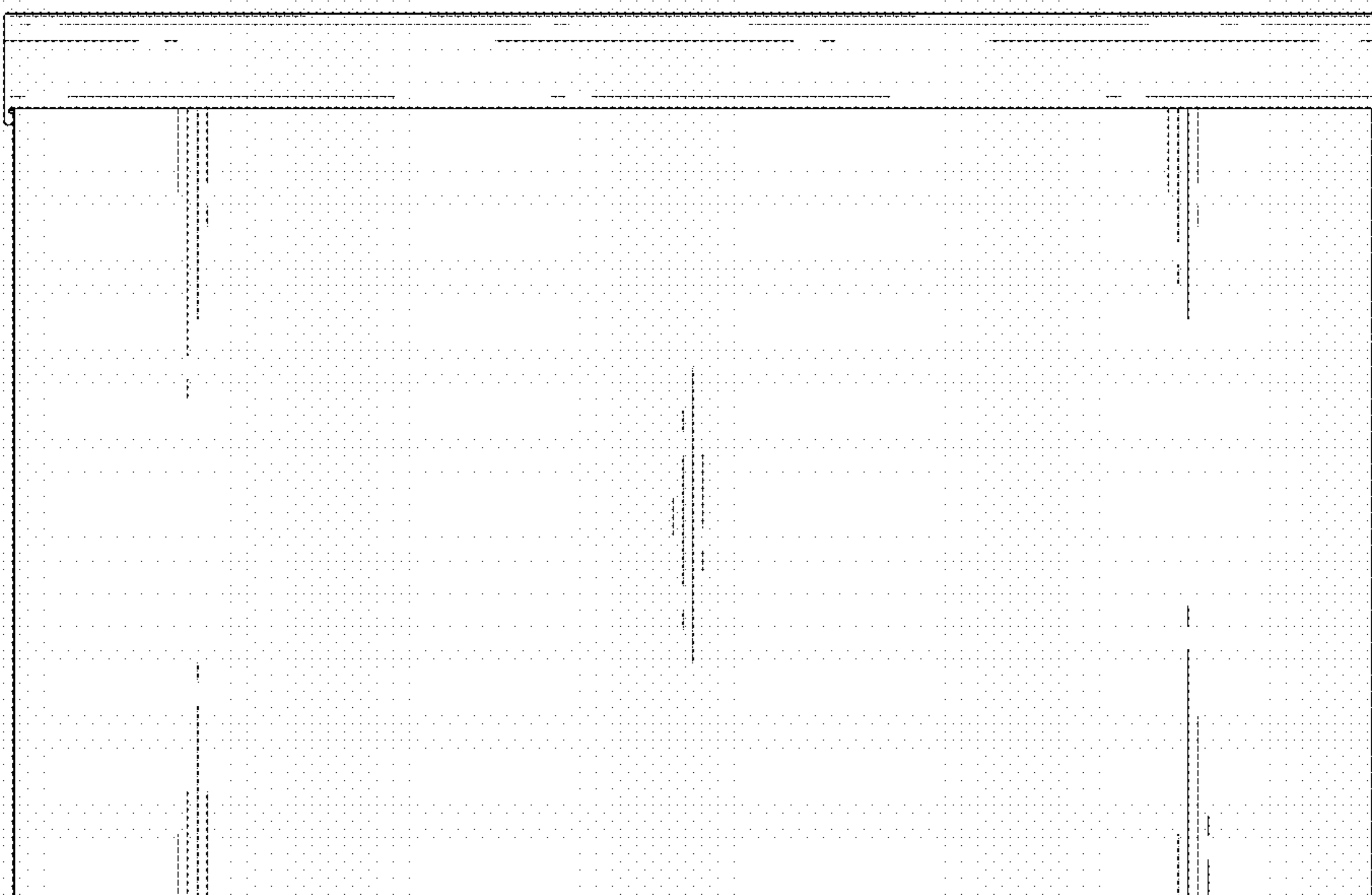


FIG. 11

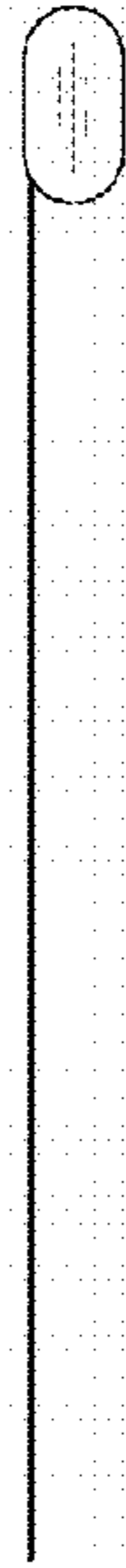


FIG. 12



FIG. 13

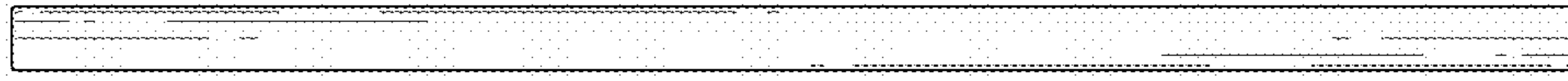


FIG. 14



FIG. 15

