



US00D773419S

(12) **United States Design Patent** (10) **Patent No.:** **US D773,419 S**
Han et al. (45) **Date of Patent:** **** Dec. 6, 2016**

(54) **TV RECEIVER**

(56) **References Cited**

(71) Applicant: **LG ELECTRONICS INC.**, Seoul (KR)

U.S. PATENT DOCUMENTS

(72) Inventors: **Youngsoo Han**, Seoul (KR); **Jongho Kim**, Seoul (KR); **Sunha Park**, Seoul (KR); **Youngyoung Kim**, Seoul (KR); **Nari Lee**, Seoul (KR)

D540,310 S *	4/2007	Yuyama	D14/214
D582,867 S *	12/2008	Song	D14/126
D677,637 S *	3/2013	Kubota	D14/126
D678,274 S *	3/2013	Chiu	D14/371
D688,231 S *	8/2013	Nishii	D14/214
D715,756 S *	10/2014	Lim	D14/126
D722,300 S *	2/2015	Won	D14/126
D728,499 S *	5/2015	Park	D14/126
D733,081 S *	6/2015	Won	D14/126
D755,140 S *	5/2016	Kim	D14/126
D755,747 S *	5/2016	Park	D14/126
D761,222 S *	7/2016	Yoo	D14/126
D763,238 S *	8/2016	Kim	D14/126

(73) Assignee: **LG ELECTRONICS INC.**, Seoul (KR)

(**) Term: **15 Years**

* cited by examiner

(21) Appl. No.: **29/549,293**

Primary Examiner — Raphael Barkai

(22) Filed: **Dec. 21, 2015**

(74) *Attorney, Agent, or Firm* — Birch, Stewart, Kolasch & Birch, LLP

(30) **Foreign Application Priority Data**

Jun. 26, 2015 (KR) 30-2015-0032444

(51) **LOC (10) Cl.** **14-03**

(57) **CLAIM**

(52) **U.S. Cl.**
USPC **D14/126**

The ornamental design for a TV receiver, as shown and described.

(58) **Field of Classification Search**

DESCRIPTION

USPC D14/125-134, 239, 371, 136, 374-377, D14/440, 450, 448, 336, 342, 159; 312/7.2; 348/836, 838, 180, 184, 325, 739; 248/917-924, 465; 345/104, 133, 156, 168, 345/87, 173; D21/329, 515, 577, 622, 333, 433, D21/448, 452, 450, 331, 505; D10/15, 26; 446/484, 175, 356; D6/477, 479, 300; D20/10, 19, 39; D16/203, 241; 160/24

CPC G06F 1/1601; G06F 1/1643; G06F 1/1652; G06F 1/1647; G06F 3/0412; H05K 5/0004; H05K 5/0017; H05K 5/02; H05K 5/0217; H04N 13/0459

FIG. 1 is a front, right side, perspective view of a TV receiver showing our new design;
 FIG. 2 is a front view thereof;
 FIG. 3 is a rear view thereof
 FIG. 4 is a left side view thereof;
 FIG. 5 is a right side view thereof;
 FIG. 6 is a top view thereof; and,
 FIG. 7 is a bottom view thereof.
 The broken lines indicate unclaimed portion of the article that form no part of the claimed design.

See application file for complete search history.

1 Claim, 4 Drawing Sheets

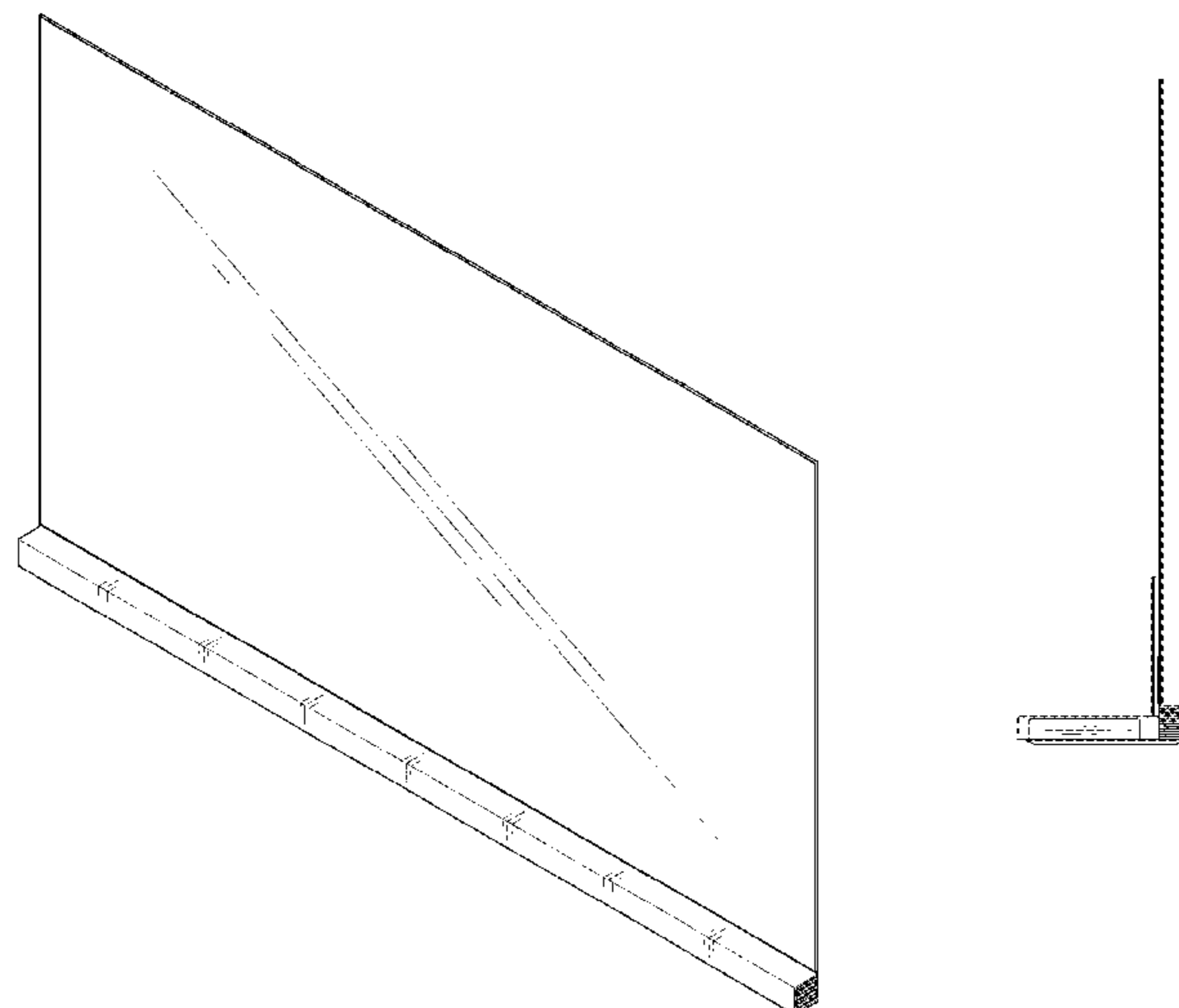


FIG. 1

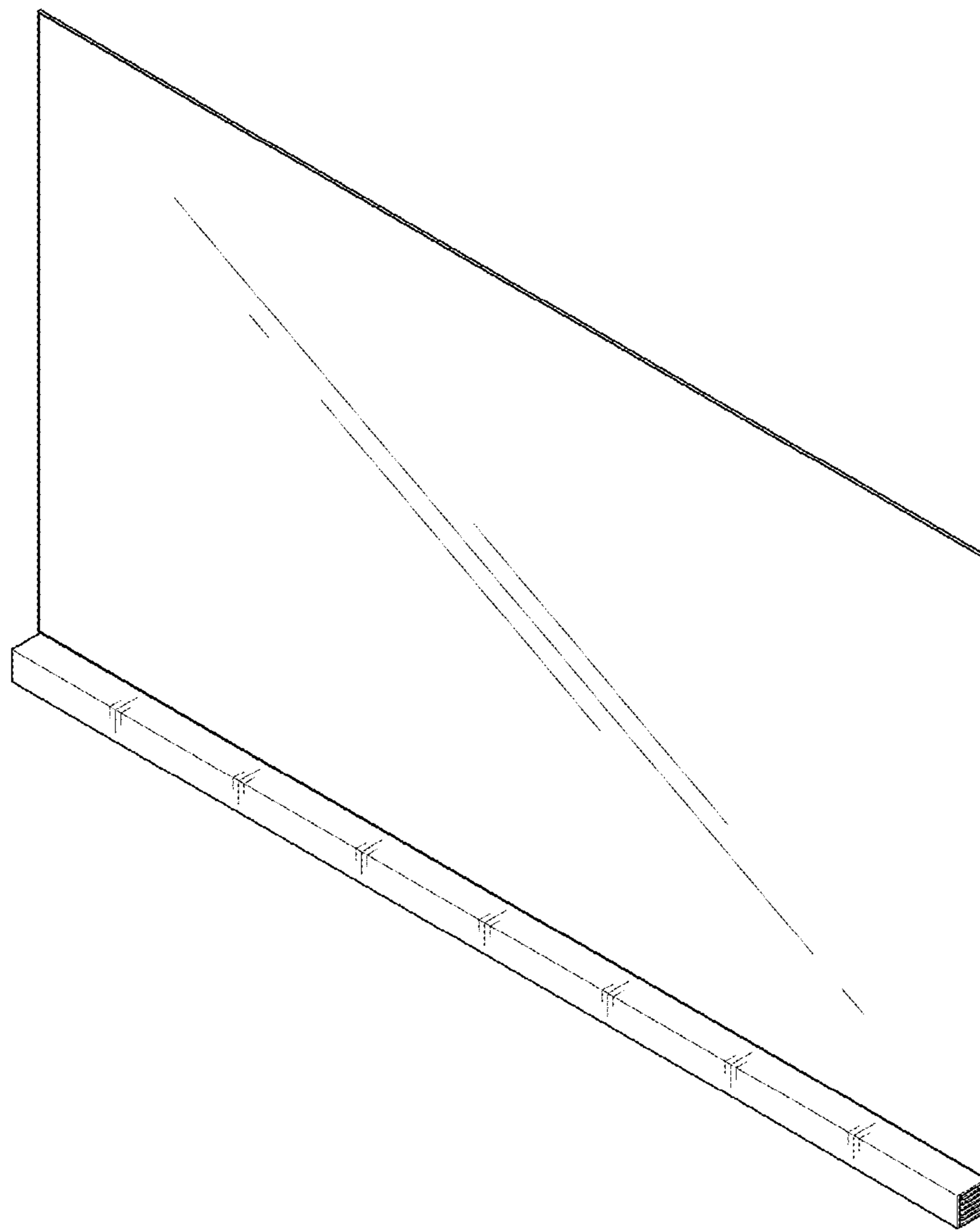


FIG. 2

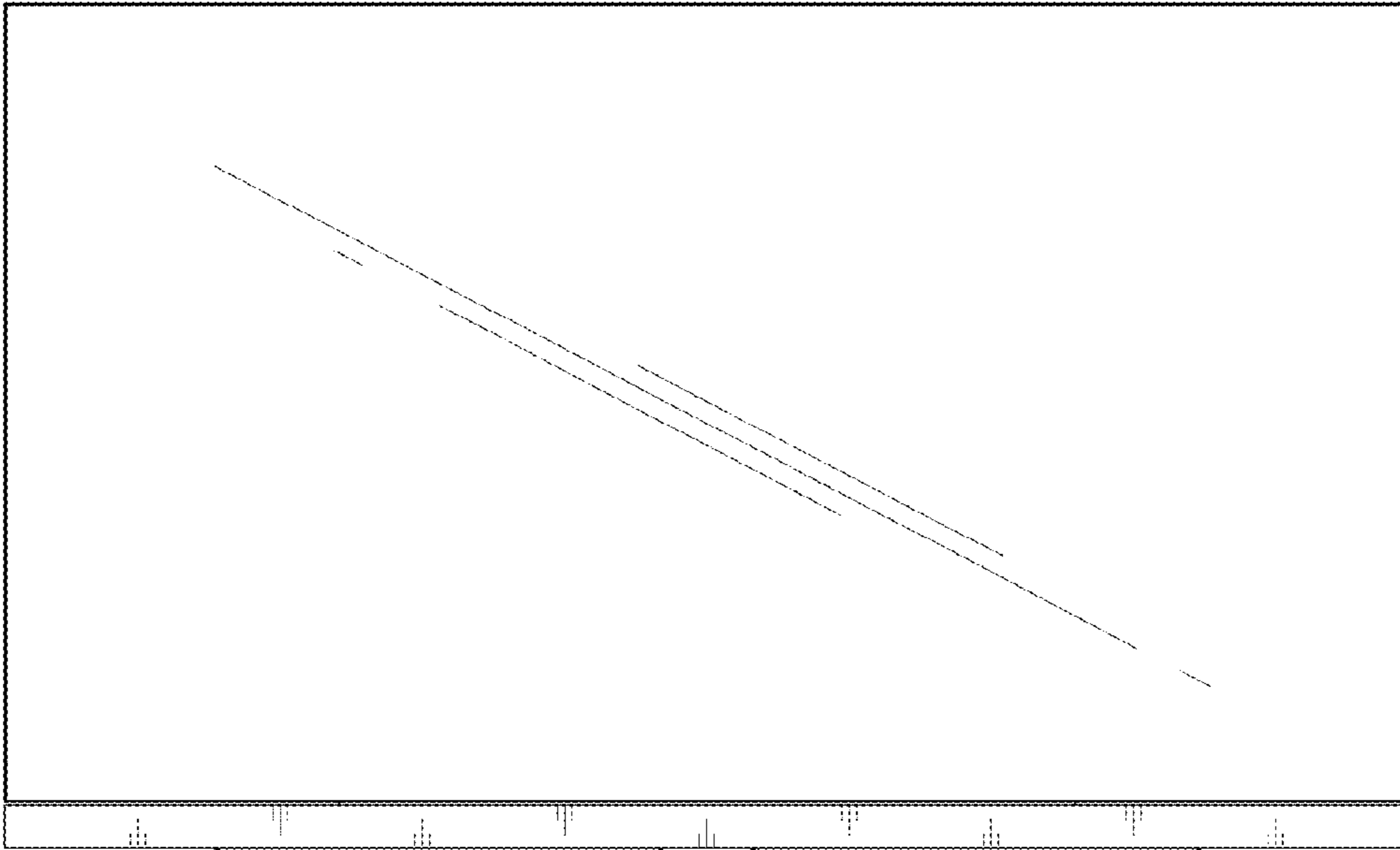


FIG. 3

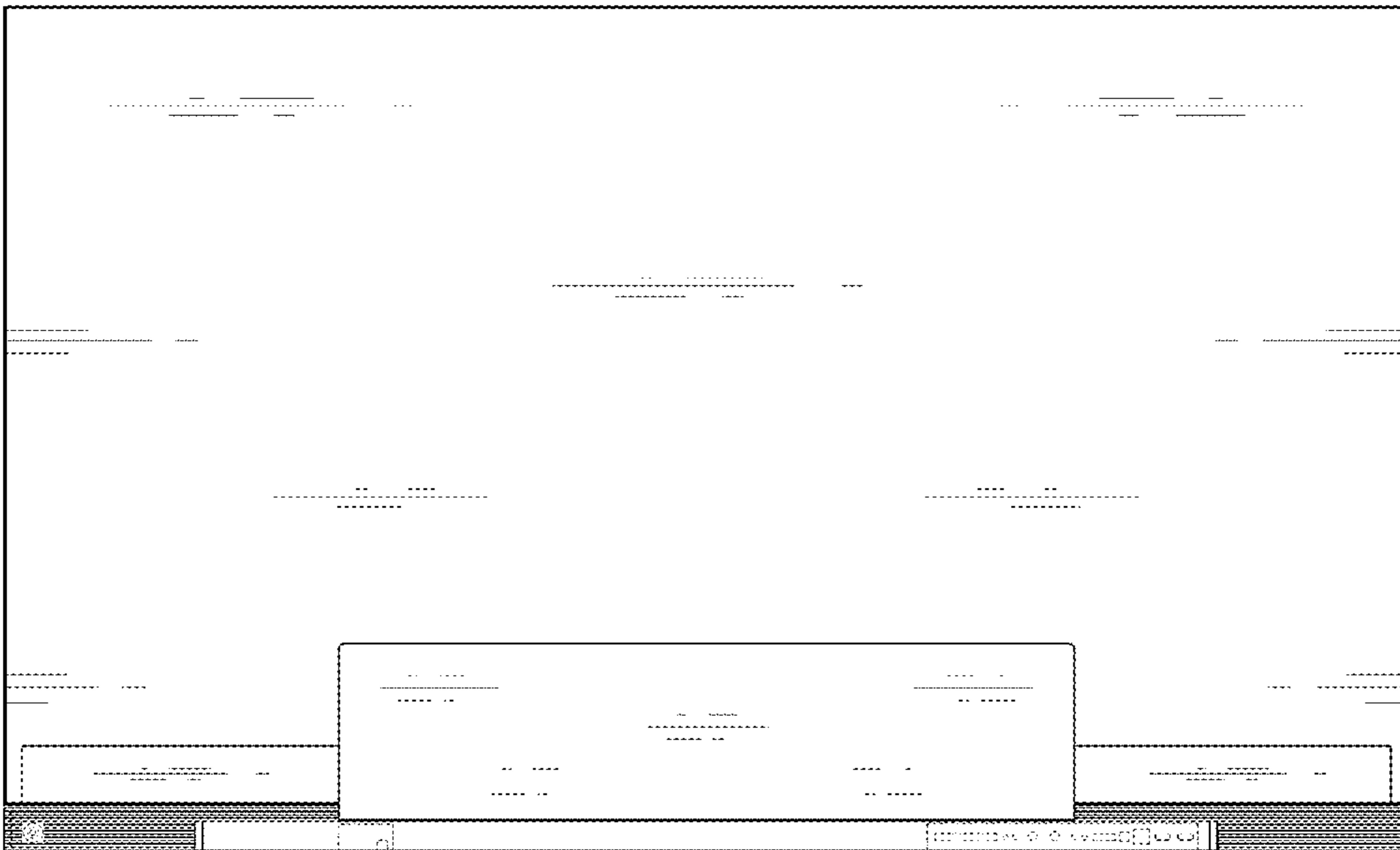


FIG. 4

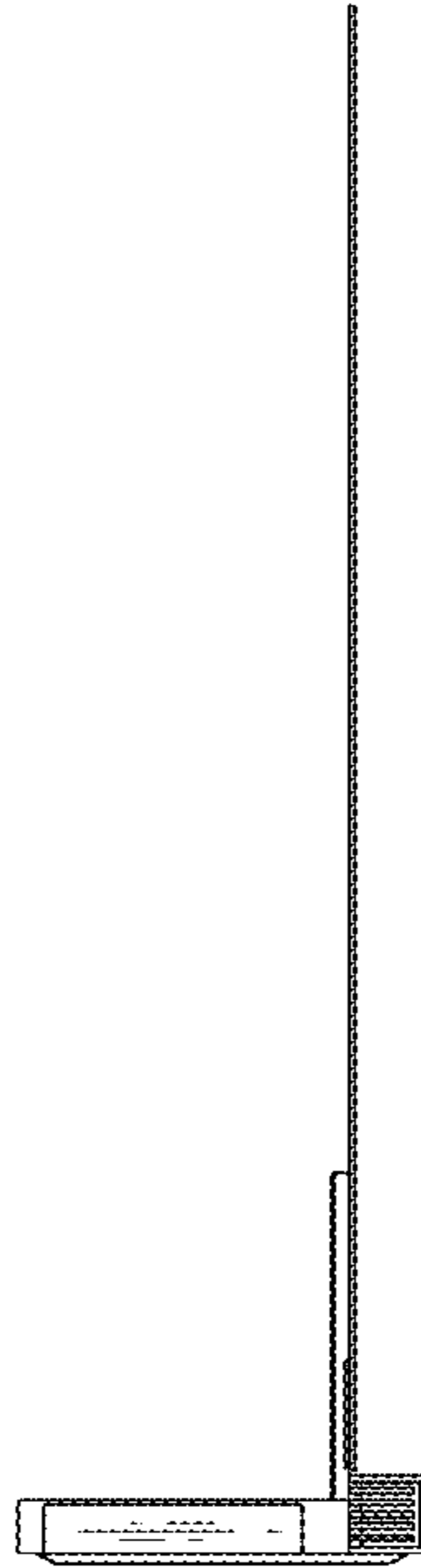


FIG. 5

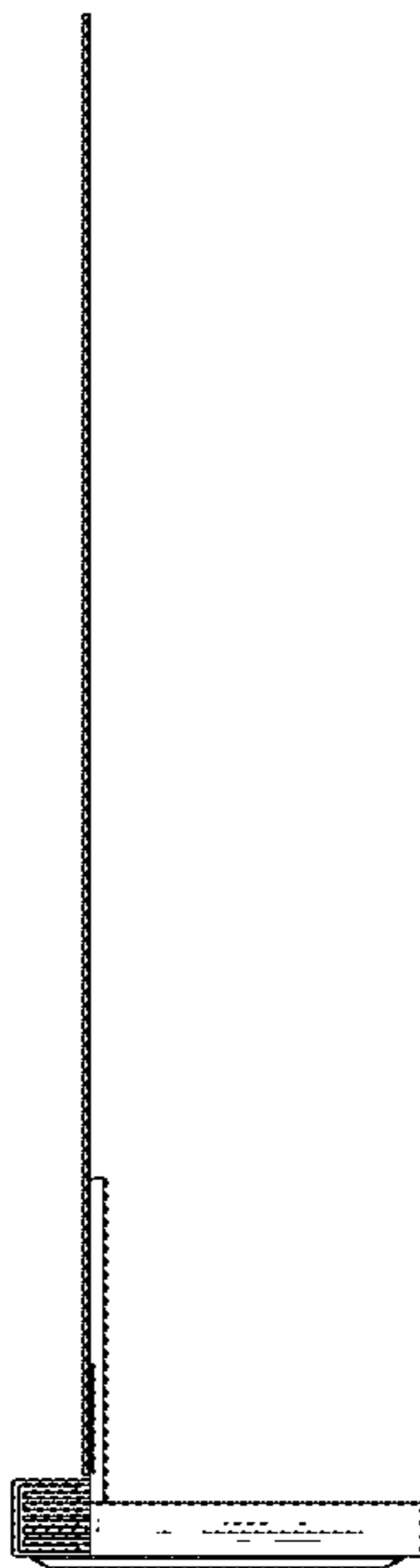


FIG. 6

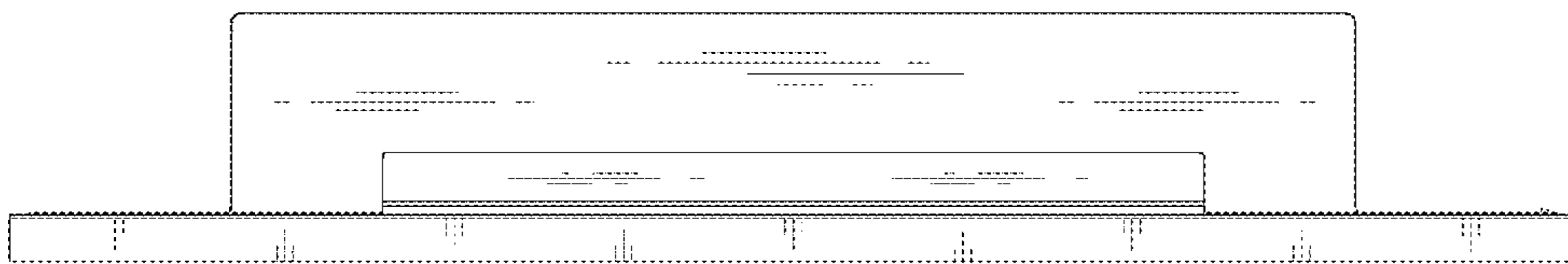


FIG. 7

