



US00D773418S

(12) **United States Design Patent** (10) **Patent No.:** **US D773,418 S**
Won et al. (45) **Date of Patent:** **** Dec. 6, 2016**

(54) **TV RECEIVER**

(71) Applicant: **LG ELECTRONICS INC.**, Seoul (KR)

(72) Inventors: **Hyojin Won**, Seoul (KR); **Yongho Lee**, Seoul (KR); **Jeongrok Lee**, Seoul (KR); **Junghyun Min**, Seoul (KR)

(73) Assignee: **LG ELECTRONICS INC.**, Seoul (KR)

(**) Term: **15 Years**

(21) Appl. No.: **29/547,519**

(22) Filed: **Dec. 4, 2015**

(30) **Foreign Application Priority Data**

Jun. 8, 2015 (KR) 30-2015-0028710

(51) **LOC (10) Cl.** **14-03**

(52) **U.S. Cl.**
USPC **D14/126**

(58) **Field of Classification Search**
 USPC D14/125-134, 239, 371, 136, 374-377, D14/440, 450, 448, 336, 342, 159; 312/7.2; 348/836, 838, 180, 184, 325, 739; 248/917-924, 465; 345/104, 133, 156, 345/168, 87, 173; D21/329, 515, 577, 622, D21/333, 433, 448, 452, 450, 331, 505; D10/15, 26; 446/484, 175, 356; D6/477, 479, 300; D20/10, 19, 39; D16/203, 241; 160/24
 CPC .. G06F 1/1601; G06F 1/1643; G06F 1/1652; G06F 1/1647; G06F 3/0412; H05K 5/0004; H05K 5/0017; H05K 5/02; H05K 5/0217; H04N 13/0459

See application file for complete search history.

(56) **References Cited**

U.S. PATENT DOCUMENTS

D574,341 S *	8/2008	Kuramashi	D14/126
D666,165 S *	8/2012	Kim	D14/126
D675,175 S *	1/2013	Kim	D14/126
D691,102 S *	10/2013	Park	D14/126
D716,245 S *	10/2014	Kim	D14/126
D725,062 S *	3/2015	Cho	D14/126
D760,678 S *	7/2016	Cho	D14/126
D763,213 S *	8/2016	Ann	D14/126

* cited by examiner

Primary Examiner — Raphael Barkai

(74) *Attorney, Agent, or Firm* — Birch, Stewart, Kolasch & Birch, LLP

(57) **CLAIM**

The ornamental design for a TV receiver, as shown and described.

DESCRIPTION

FIG. 1 is a front, right side, perspective view of a TV receiver showing our new design;
 FIG. 2 is a front view thereof;
 FIG. 3 is a rear view thereof;
 FIG. 4 is a left side view thereof;
 FIG. 5 is a right side view thereof;
 FIG. 6 is a top view thereof;
 FIG. 7 is a bottom view thereof;
 FIG. 8 is an enlarged view of A-B part in FIG. 1 thereof; and,
 FIG. 9 is an enlarged view of C-C part in FIG. 4 thereof.
 The broken lines indicate unclaimed portion of the article that form no part of the claimed design, and the dash-dot broken lines define the bounds of the claimed design and form no part of the claimed design.

1 Claim, 5 Drawing Sheets

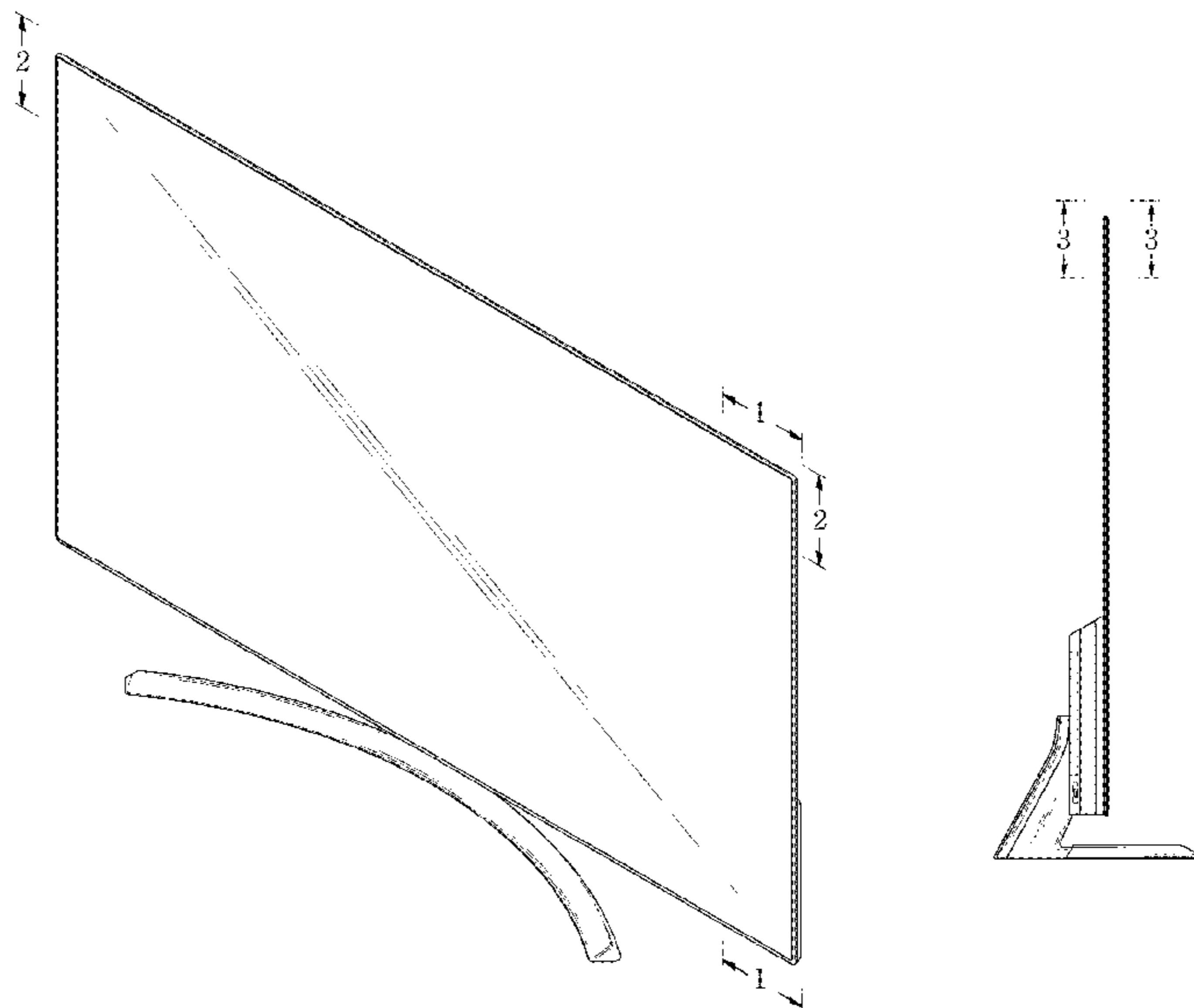


FIG. 1

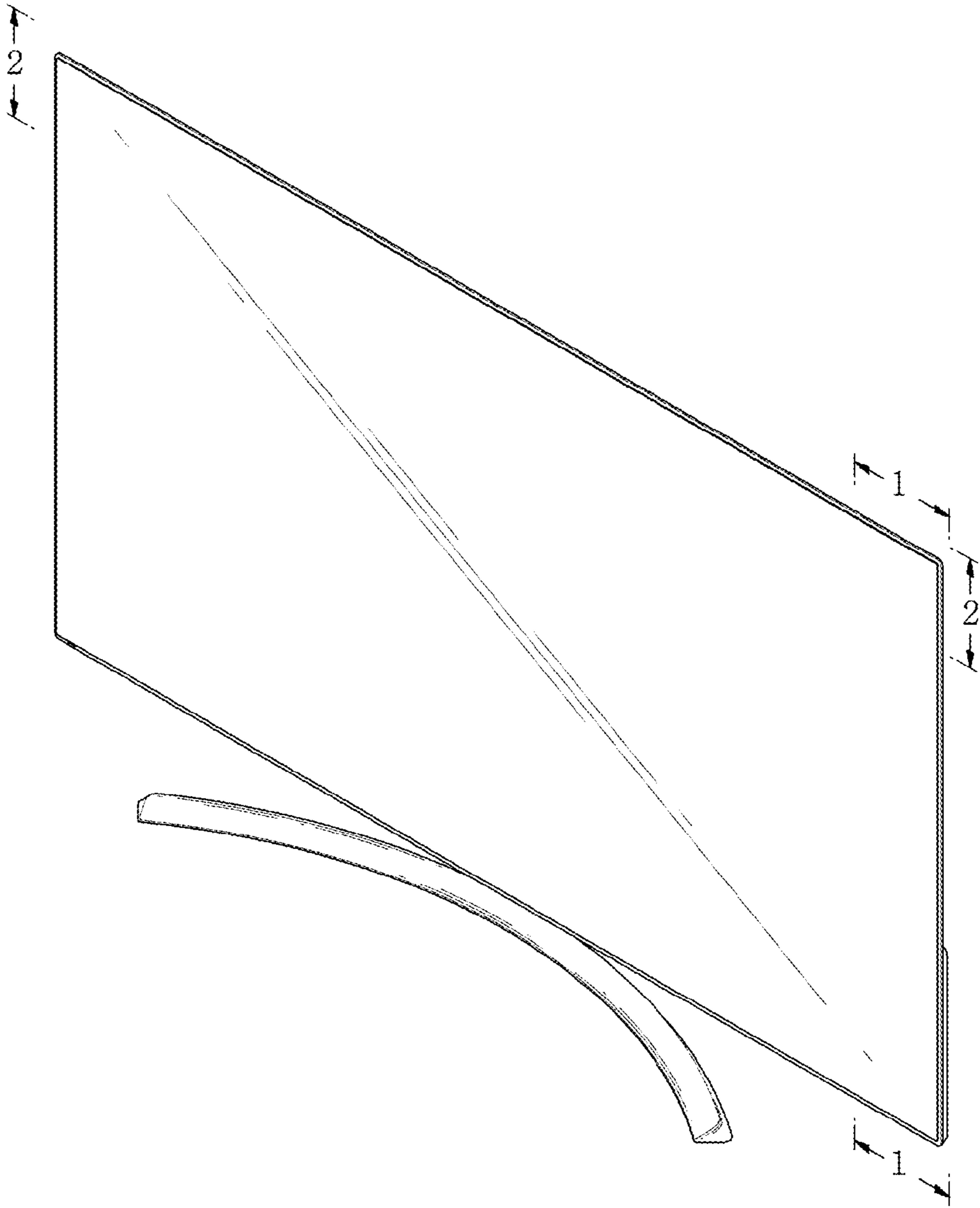


FIG. 2

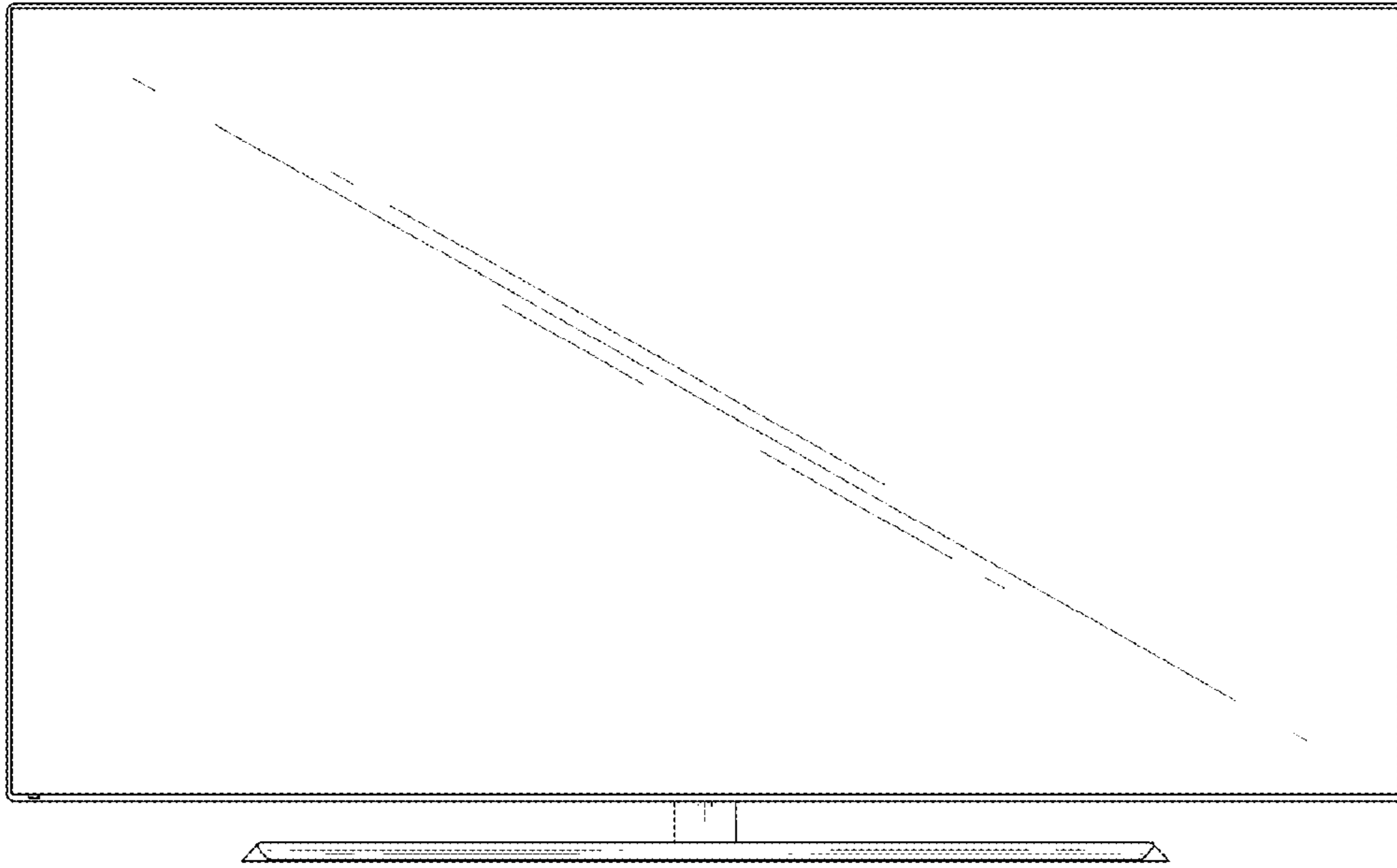


FIG. 3

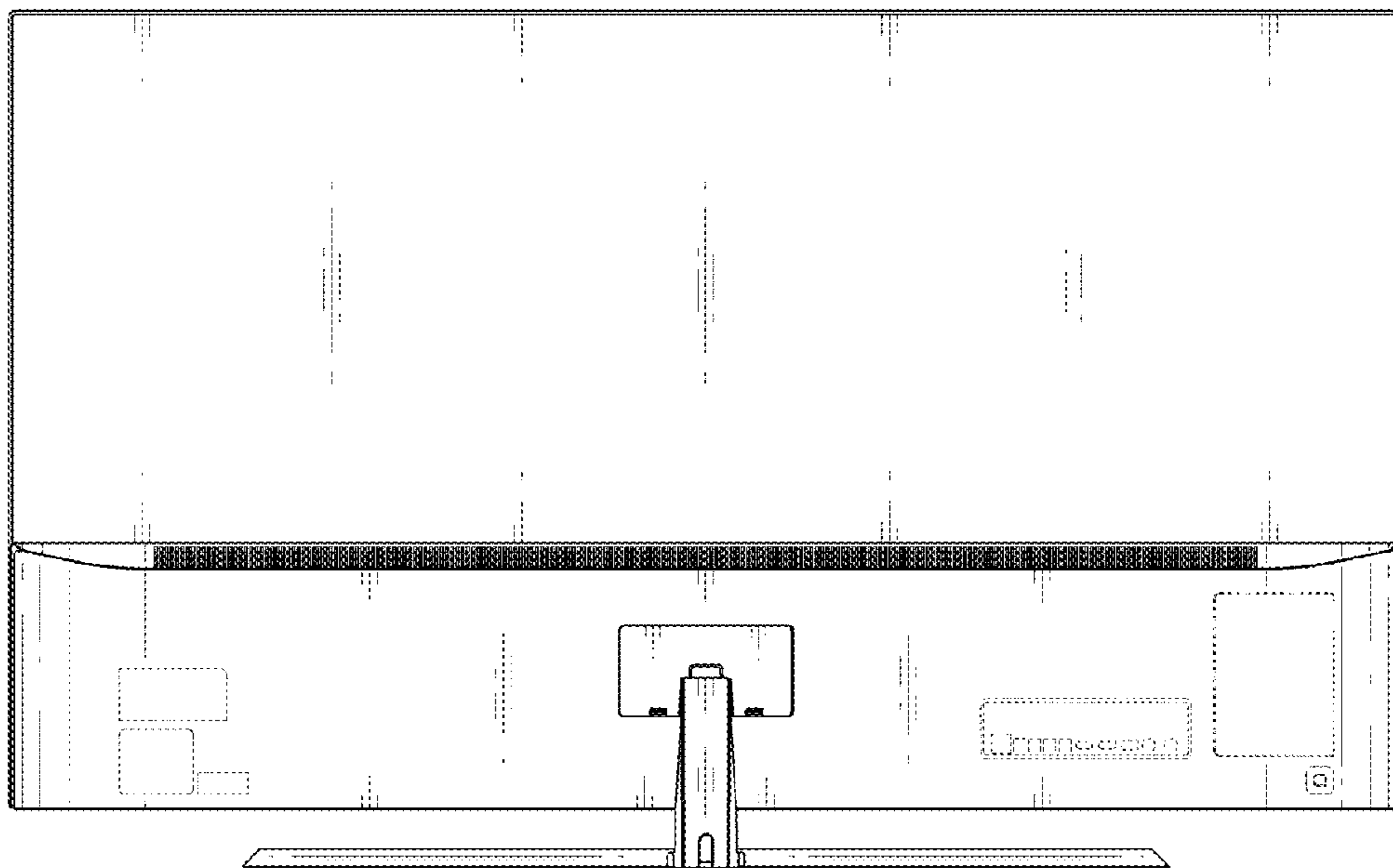


FIG. 4

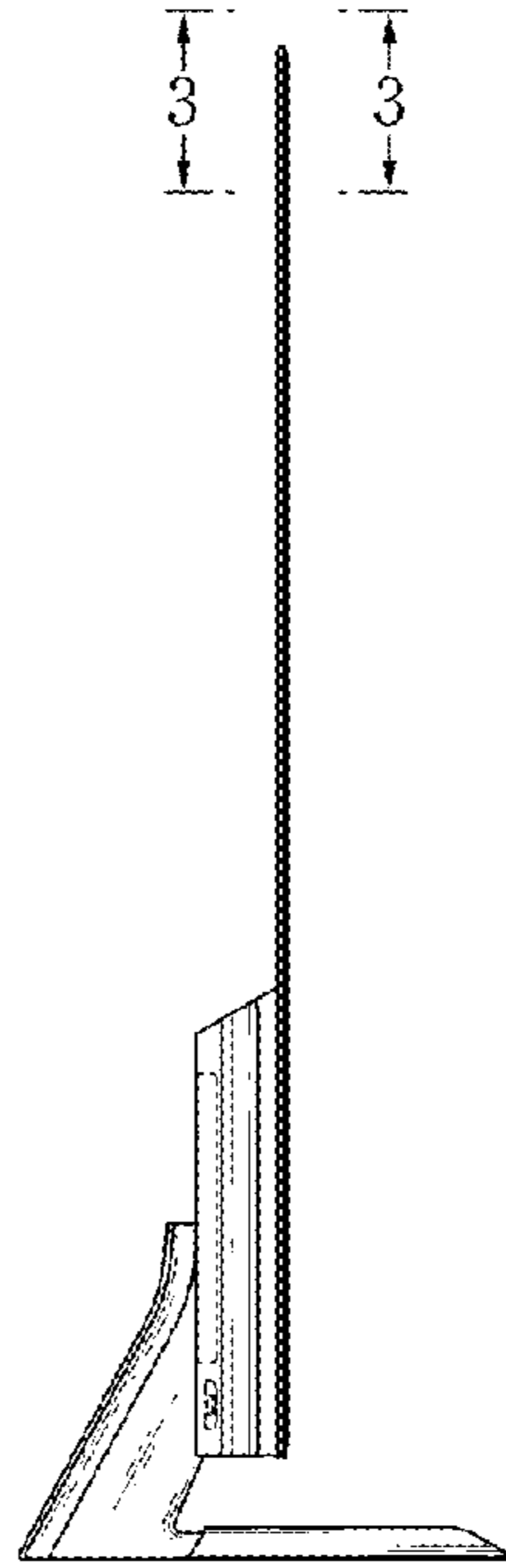


FIG. 5

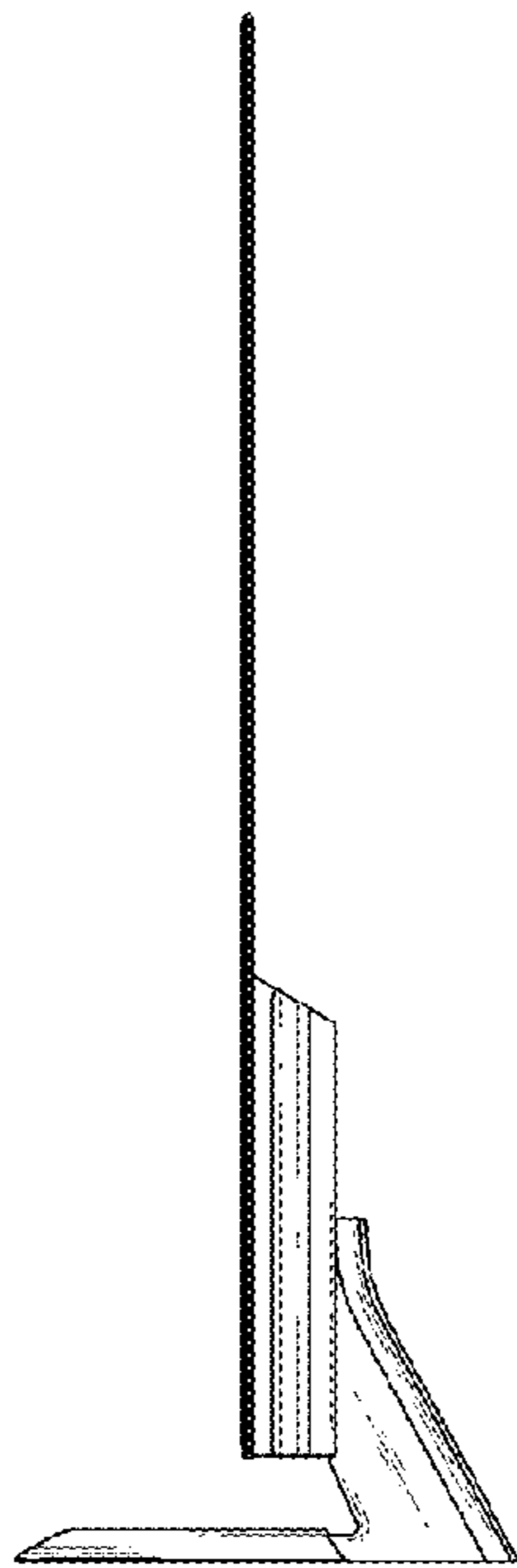


FIG. 6

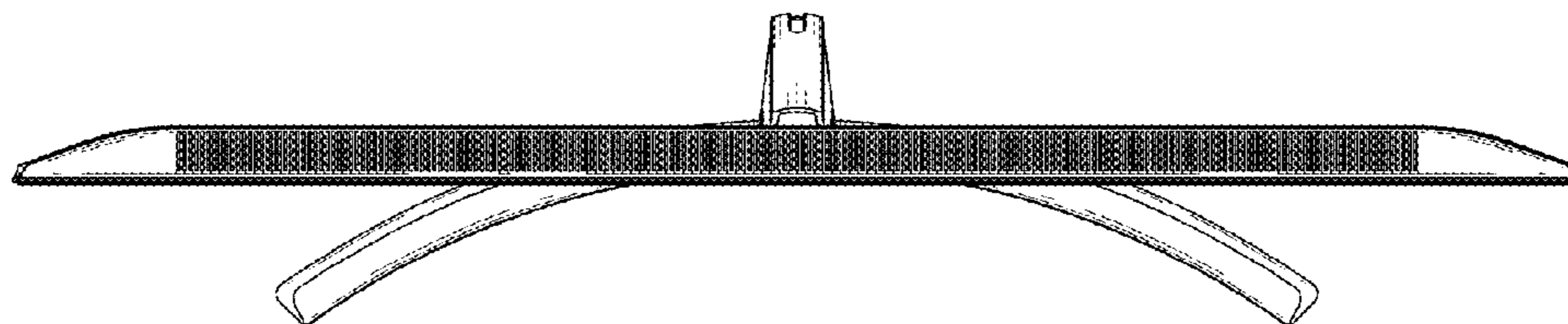


FIG. 7

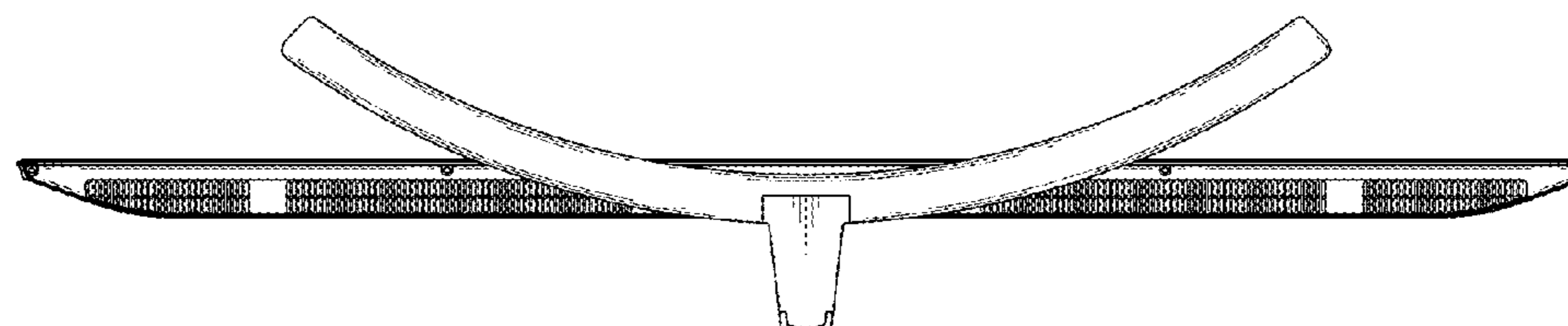


FIG. 8

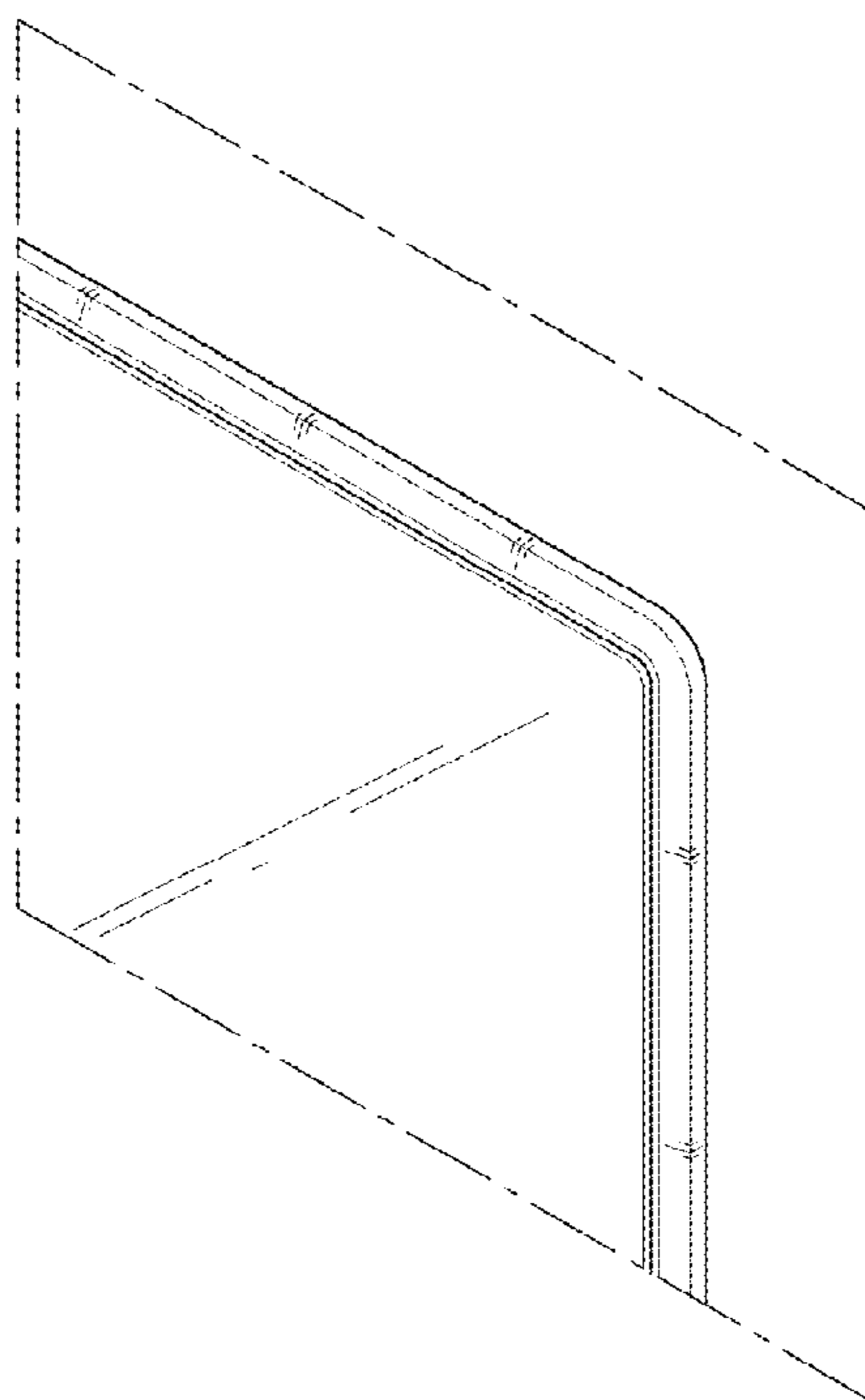


FIG. 9

