



US00D773417S

(12) **United States Design Patent** (10) **Patent No.:** **US D773,417 S**  
**Kim et al.** (45) **Date of Patent:** **\*\* Dec. 6, 2016**

(54) **TELEVISION RECEIVER**

FOREIGN PATENT DOCUMENTS

(71) Applicant: **Samsung Electronics Co., Ltd.**,  
Suwon-si, Gyeonggi-do (KR)

EM 002080382-0001 7/2012  
JP D1233059 S 3/2005

(72) Inventors: **Inshik Kim**, Seongnam-si (KR);  
**Sangmin Hyun**, Seoul (KR); **Jinwook Kim**,  
Yongin-si (KR); **Daekyung Ahn**,  
Namyangju-si (KR)

OTHER PUBLICATIONS

Roll screen chrome [online]. Best Systems[retrieved on Jul. 24,  
2015] pp. 1-2. Retrieved from the Internet: <URL: <http://www.best-systems.com/en/products/roll-up-banners/roll-screen-chrome>.

(73) Assignee: **SAMSUNG ELECTRONICS CO., LTD.** (KR)

*Primary Examiner* — Raphael Barkai

(74) *Attorney, Agent, or Firm* — Cantor Colburn LLP

(\*\*) Term: **15 Years**

(57) **CLAIM**

(21) Appl. No.: **29/537,482**

The ornamental design for a television receiver, as shown and described.

(22) Filed: **Aug. 26, 2015**

**DESCRIPTION**

(30) **Foreign Application Priority Data**

Mar. 3, 2015 (KR) ..... 30-2015-0010838

(51) **LOC (10) Cl.** ..... **14-03**

(52) **U.S. Cl.**  
USPC ..... **D14/126**

(58) **Field of Classification Search**

USPC ..... D14/125-134, 239, 371, 136,  
374-377, D14/440, 450, 448, 336, 342,  
159; 312/7.2; 348/836, 838, 180, 184,  
325, 739; 248/917-924, 465; 345/104,  
133, 156, 168, 345/87, 173; D21/329,  
515, 577, 622, 333, 433, D21/448, 452,  
450, 331, 505; D10/15, 26; 446/484, 175,  
356; D6/477, 479, 300; D20/10, 19, 39;  
D16/203, 241; 160/24

(Continued)

(56) **References Cited**

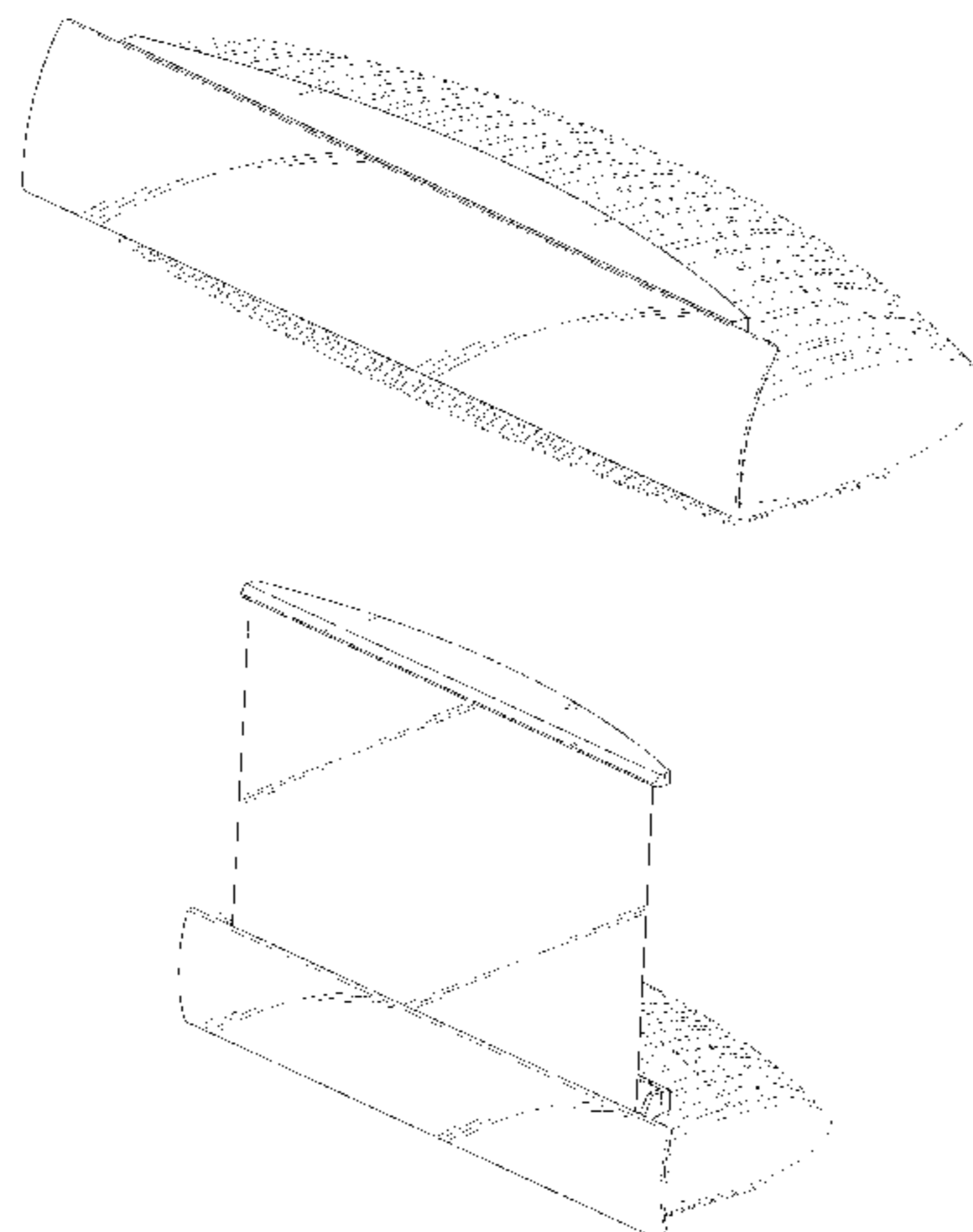
U.S. PATENT DOCUMENTS

D323,338 S \* 1/1992 Court ..... 160/24  
D501,653 S \* 2/2005 Lewis ..... D14/126

(Continued)

FIG. 1 is a front perspective view of a television receiver showing our new design in a screen-retracted configuration; FIG. 2 is a front elevational view thereof; FIG. 3 is a rear elevational view thereof; FIG. 4 is a left side elevational view thereof; FIG. 5 is a right side elevational view thereof; FIG. 6 is a top plan view thereof; FIG. 7 is a bottom plan view thereof; FIG. 8 is a rear perspective view thereof; FIG. 9 is another front perspective view thereof, showing an environment of use in which the GUI displayed on the screen is visible through the front surface of the television receiver and the GUI is shown in dot-dash broken lines; FIG. 10 a front perspective view of a television receiver showing our new design in a screen-deployed configuration; FIG. 11 is a front elevational view thereof; FIG. 12 is a rear elevational view thereof; FIG. 13 is a left side elevational view thereof; FIG. 14 is a right side elevational view thereof; FIG. 15 is a top plan view thereof; FIG. 16 is a bottom plan view thereof; and, FIG. 17 is another front perspective view thereof, showing an environment of use in which the GUI displayed on the

(Continued)



screen is visible through the front surface of the television receiver and the GUI is shown in dot-dash broken lines. The broken lines in the figures show portions of the television receiver which form no part of the claimed design.

**1 Claim, 17 Drawing Sheets**

**(58) Field of Classification Search**

CPC .... G06F 1/1601; G06F 1/1643; H05K 5/0004;  
H05K 5/0017; H05K 5/02; H05K 5/0217;  
H04N 13/0459

See application file for complete search history.

**(56) References Cited**

U.S. PATENT DOCUMENTS

D505,406 S *	5/2005	Sham .....	D14/128
D514,536 S *	2/2006	Villalobos .....	D14/128
D522,008 S *	5/2006	Corbett .....	D14/451
D539,292 S *	3/2007	On .....	D14/451
D568,364 S *	5/2008	Jeoung .....	D16/241

D576,578 S *	9/2008	Calverley .....	D14/126
D607,916 S *	1/2010	Orion .....	D16/241
D611,032 S *	3/2010	Kim .....	D14/126
D616,501 S *	5/2010	Maier-Hunke .....	D20/10
D656,473 S *	3/2012	Laube .....	D14/126
D661,671 S *	6/2012	Laube .....	D14/126
8,274,737 B2 *	9/2012	Wang .....	G03B 21/58 359/443
D680,088 S *	4/2013	Park .....	D14/126
D702,658 S *	4/2014	Kim .....	D14/126
D716,815 S *	11/2014	van Hees .....	D14/420
D740,243 S *	10/2015	Bieler .....	D14/126
D750,583 S *	3/2016	Lee .....	D14/126
D761,747 S *	7/2016	Kim .....	D14/126
2006/0279840 A1 *	12/2006	Yamauchi .....	G03B 21/56 359/461
2014/0213324 A1 *	7/2014	Tan .....	H04M 1/0268 455/566
2015/0047796 A1 *	2/2015	Peng .....	E06B 9/42 160/323.1
2015/0153777 A1 *	6/2015	Liu .....	G06F 1/1652 345/173
2015/0220188 A1 *	8/2015	Zhao .....	G09G 3/36 345/174

\* cited by examiner

FIG. 1

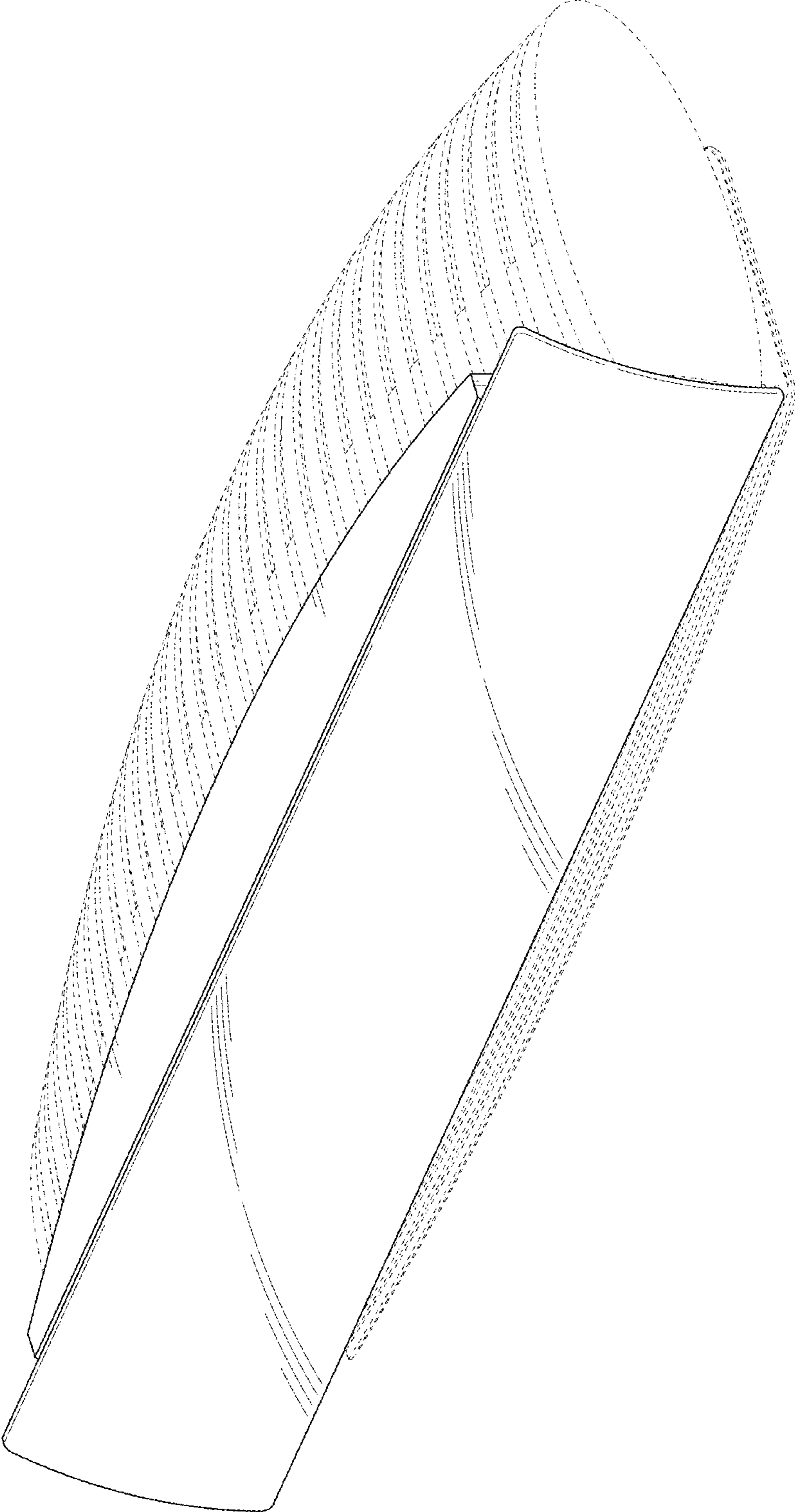


FIG. 2

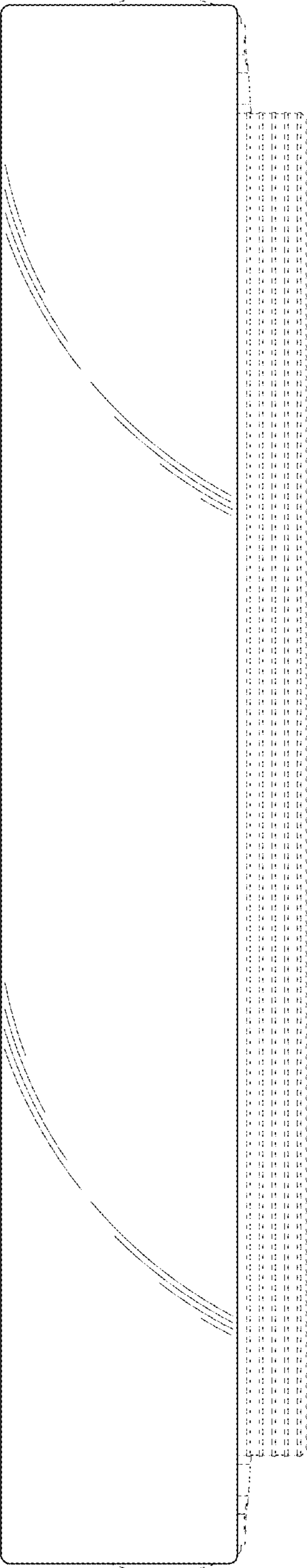


FIG. 3

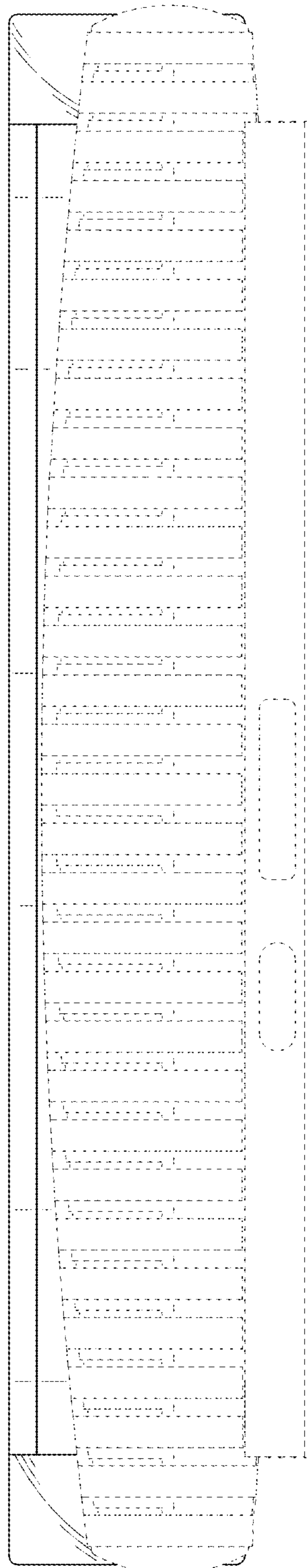


FIG. 4

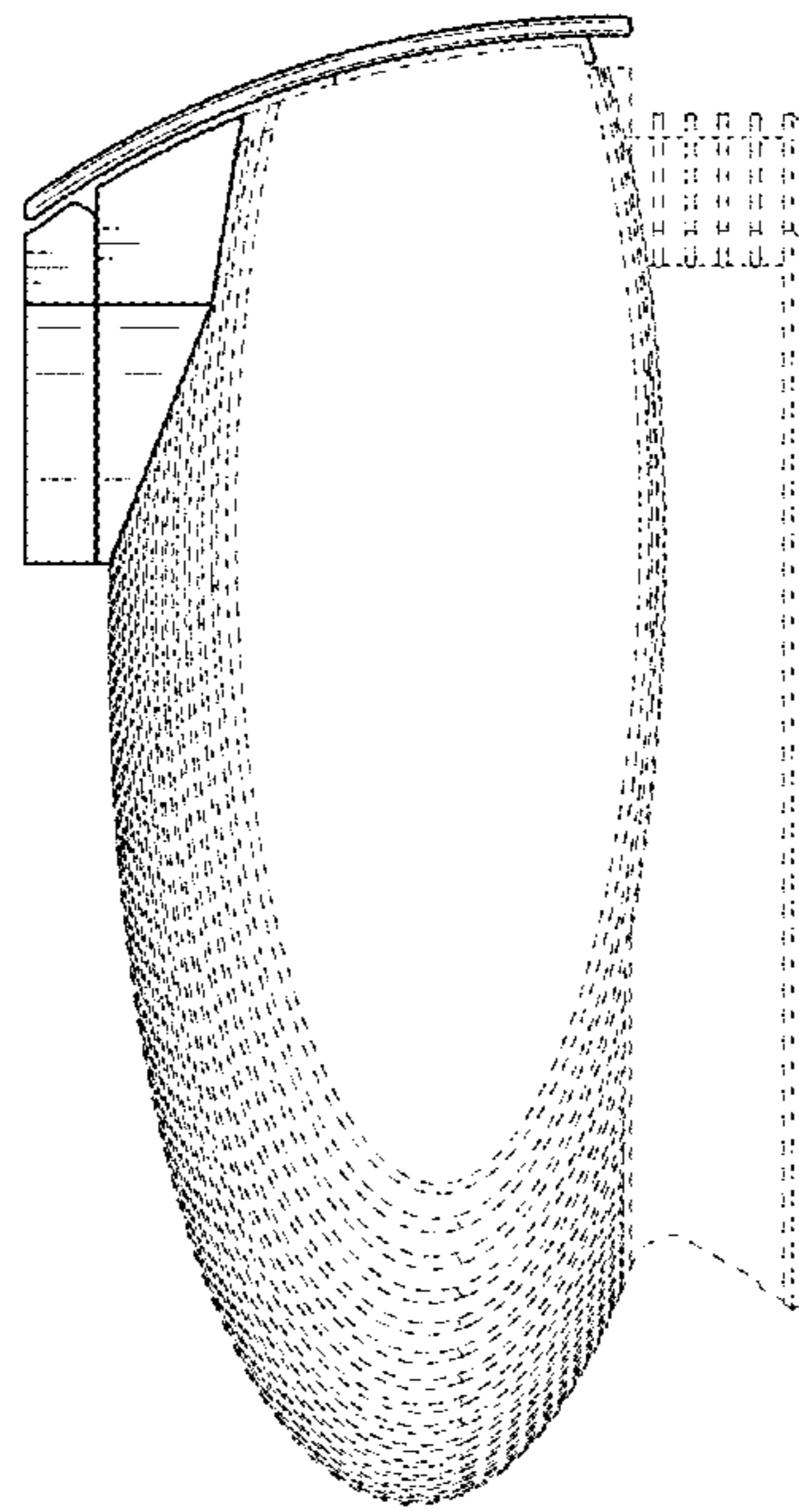


FIG. 5

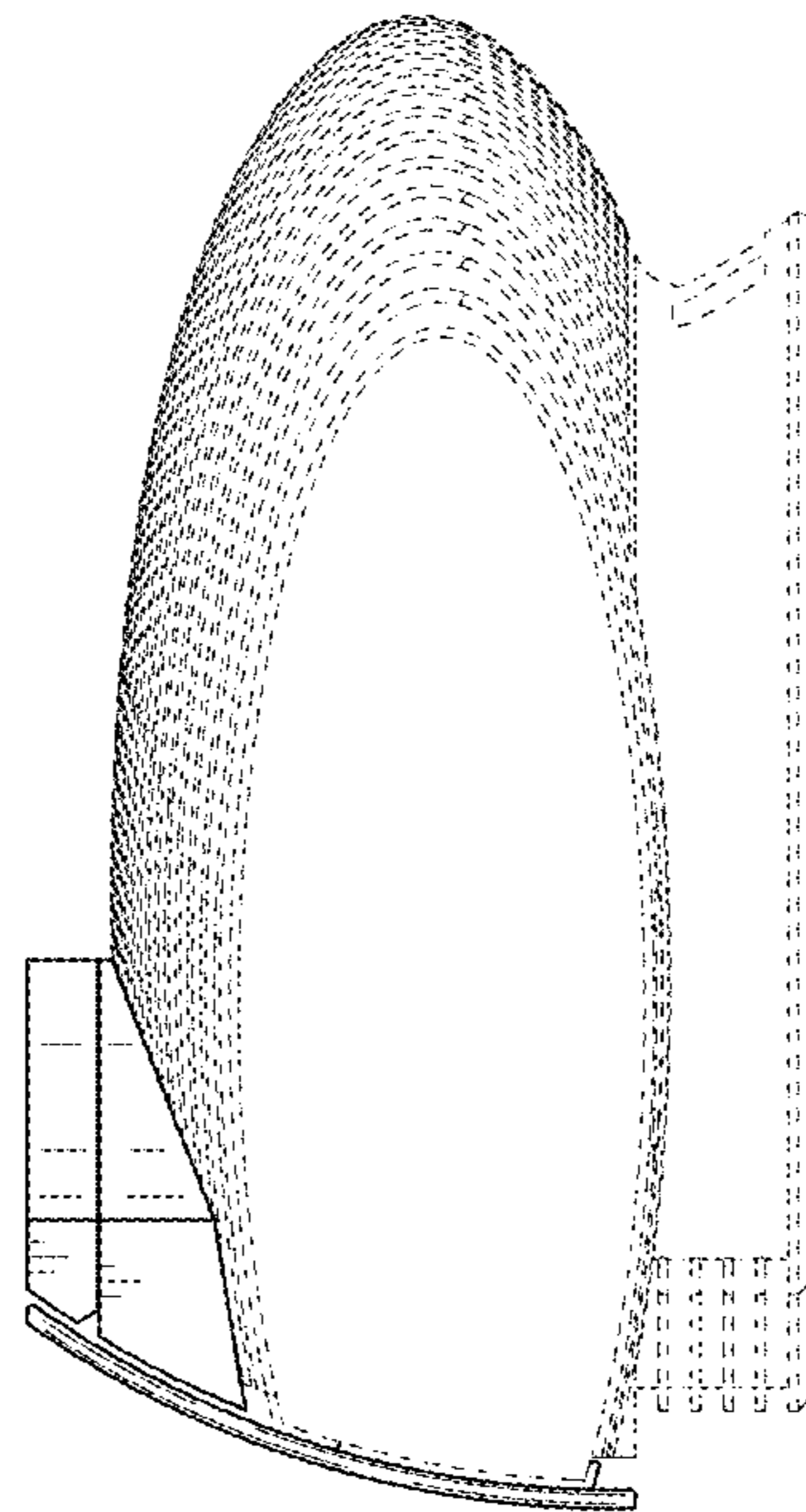


FIG. 6

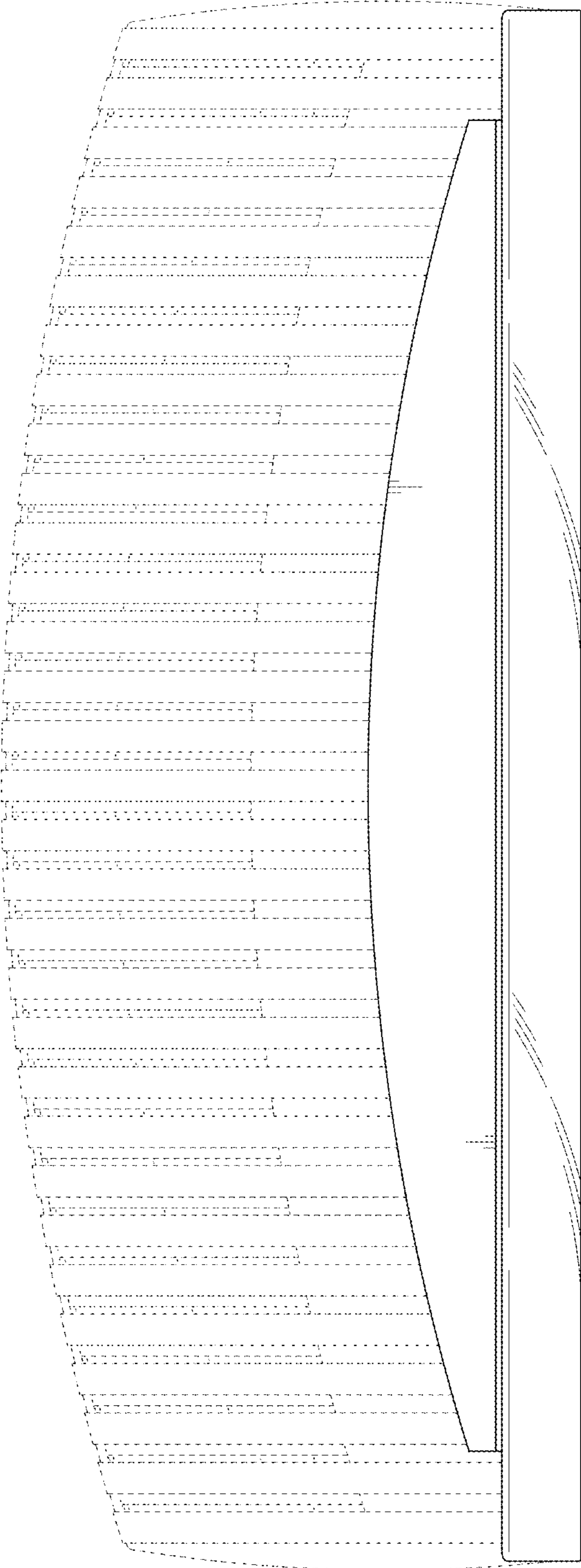




FIG. 7

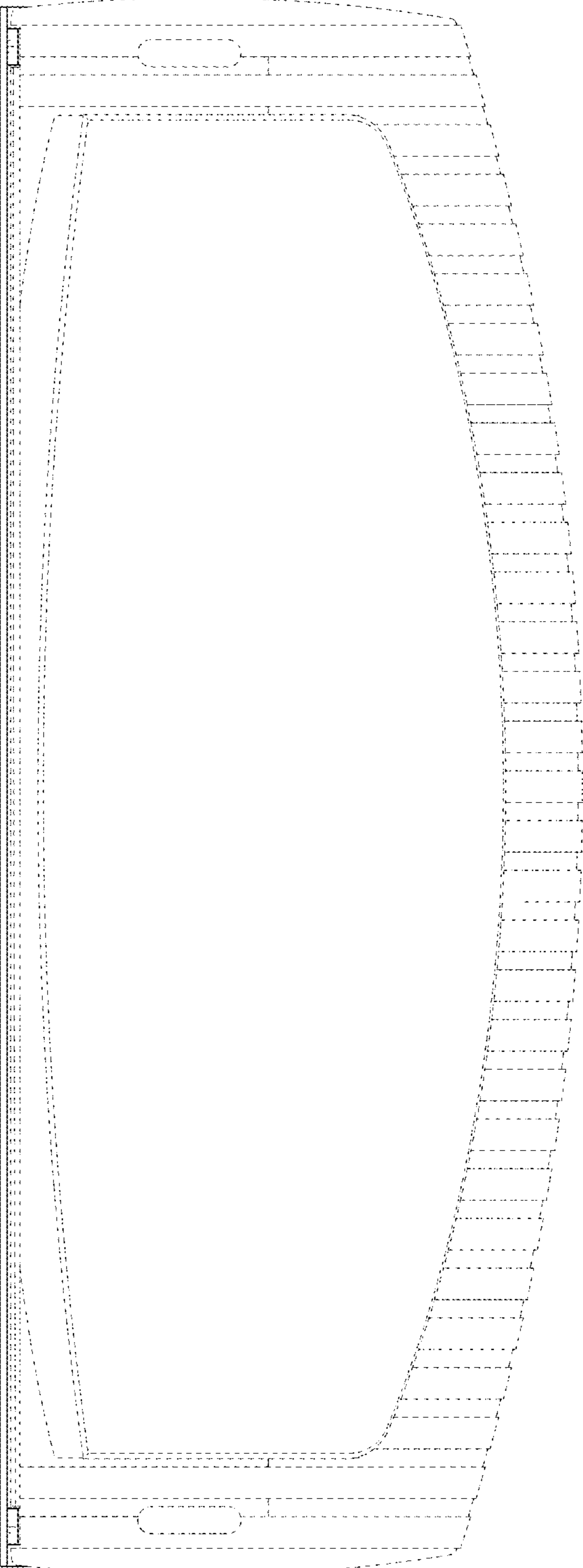


FIG. 8

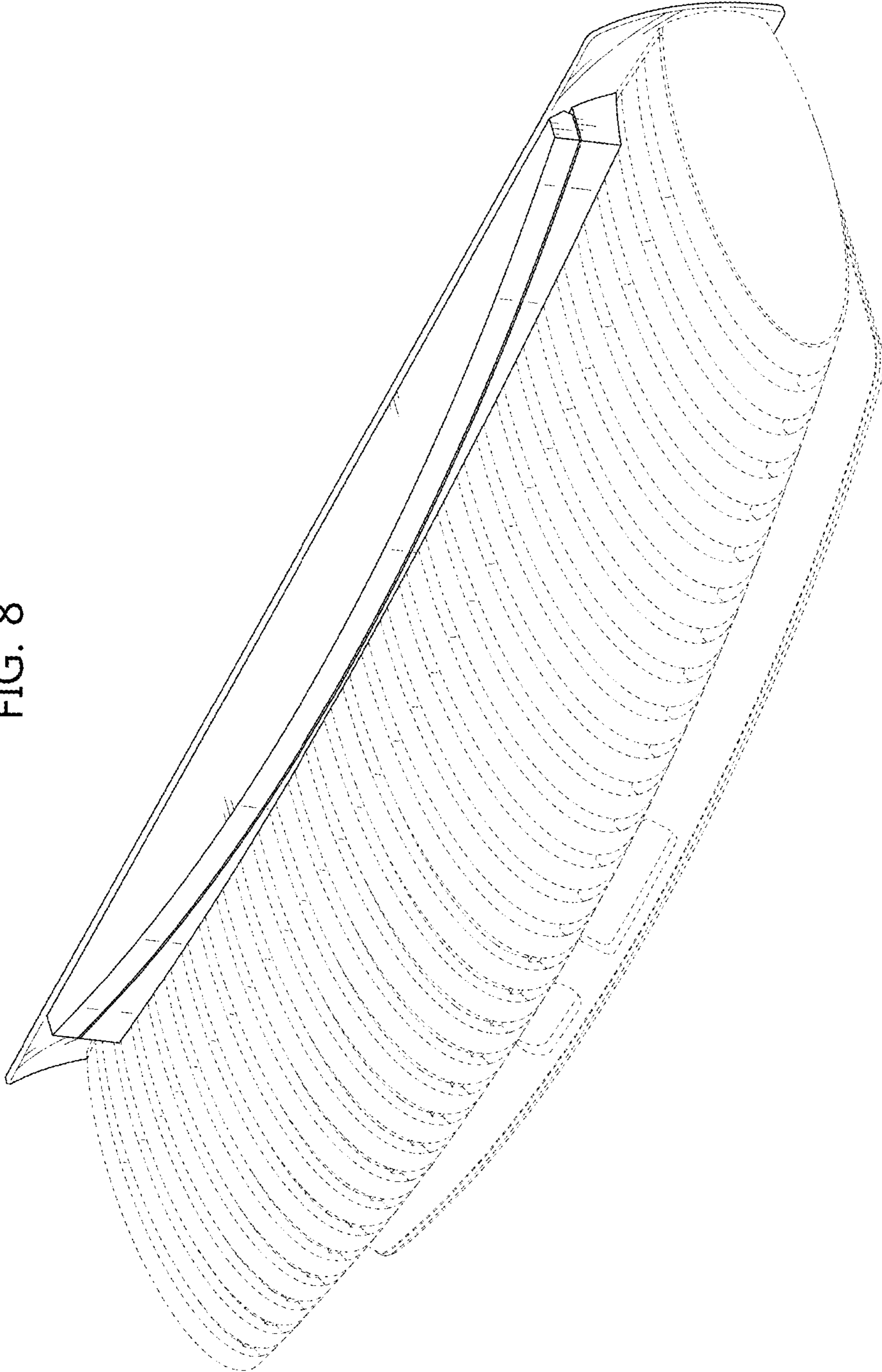


FIG. 9

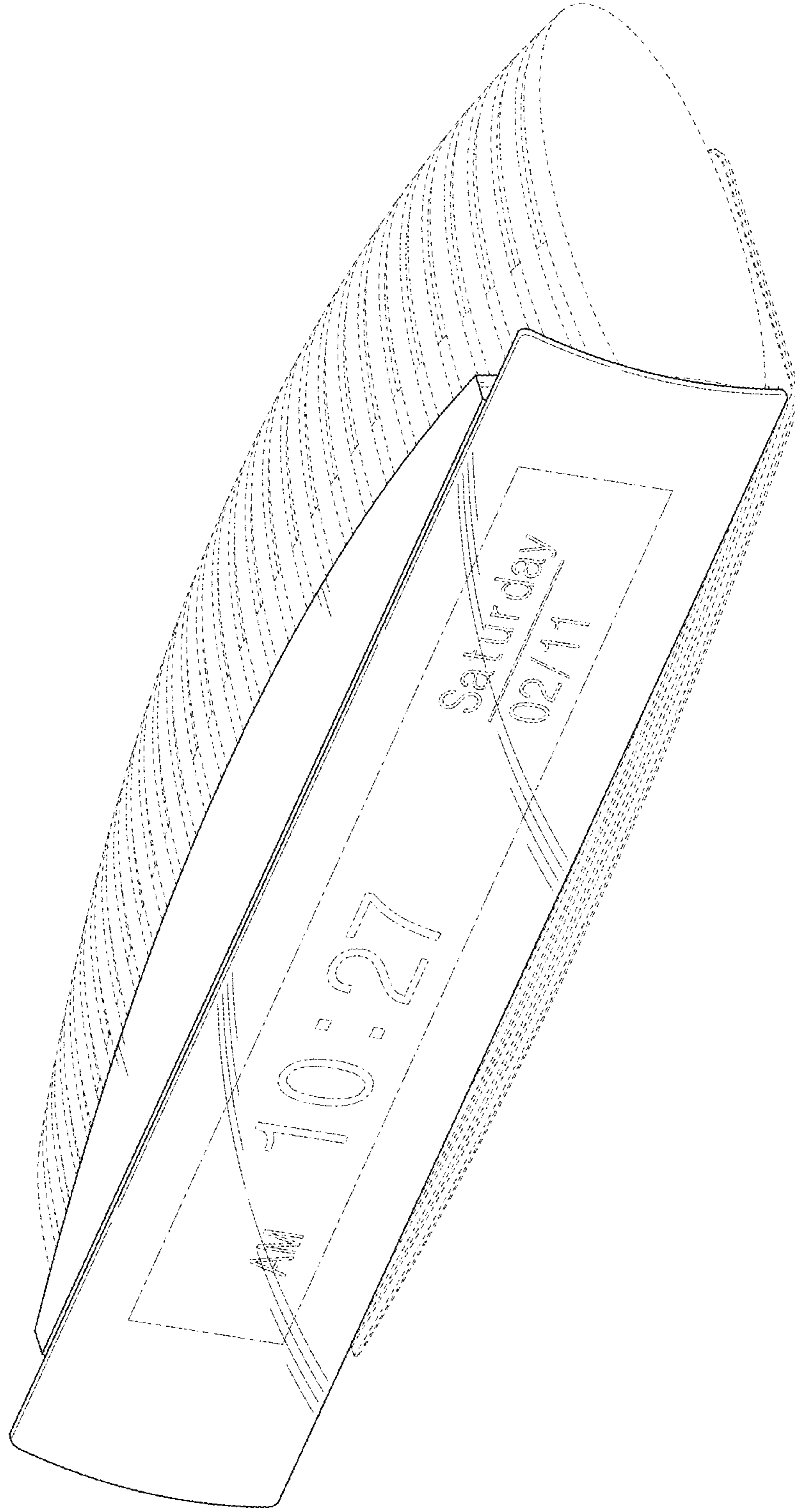


FIG. 10

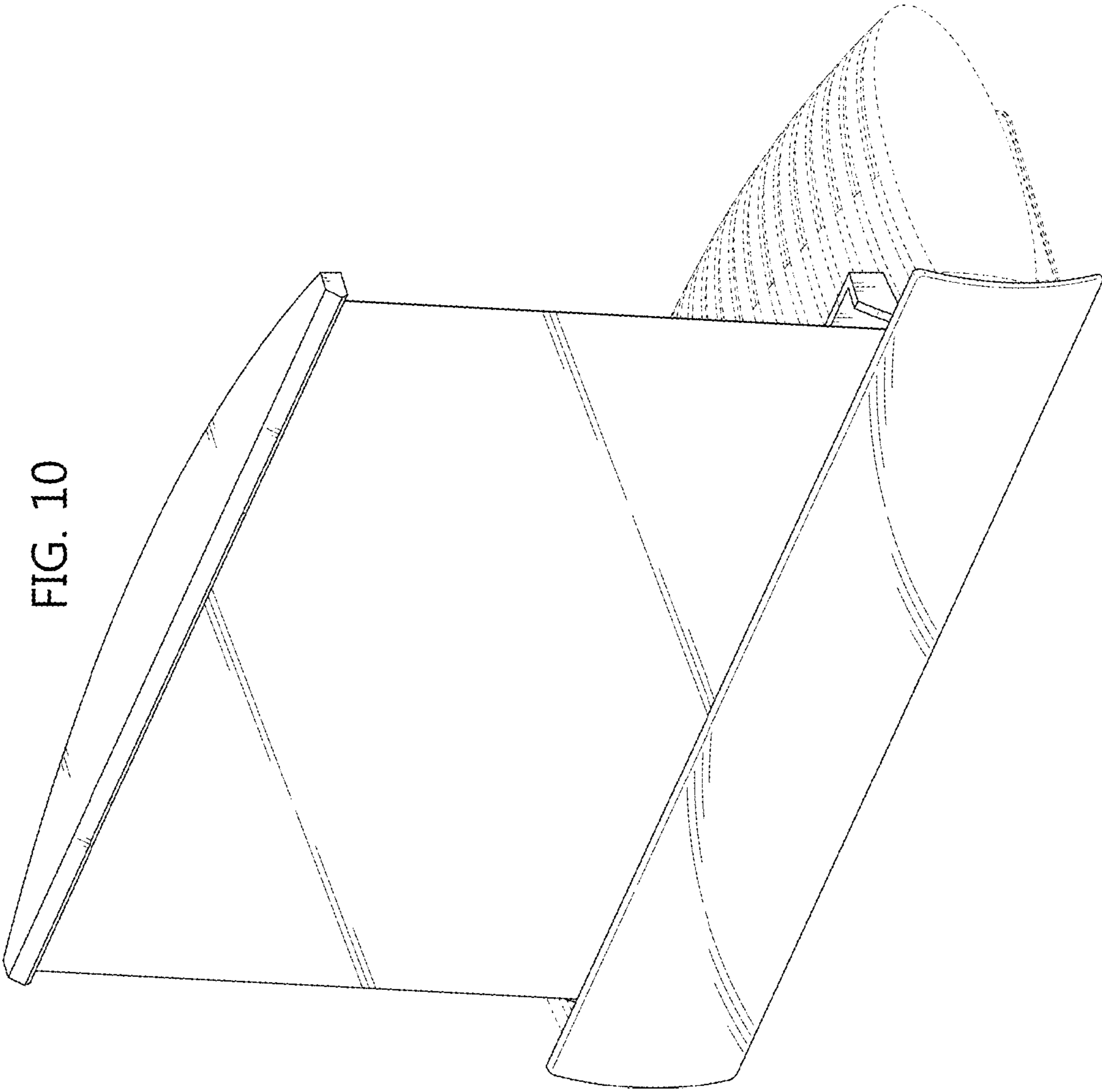


FIG. 11

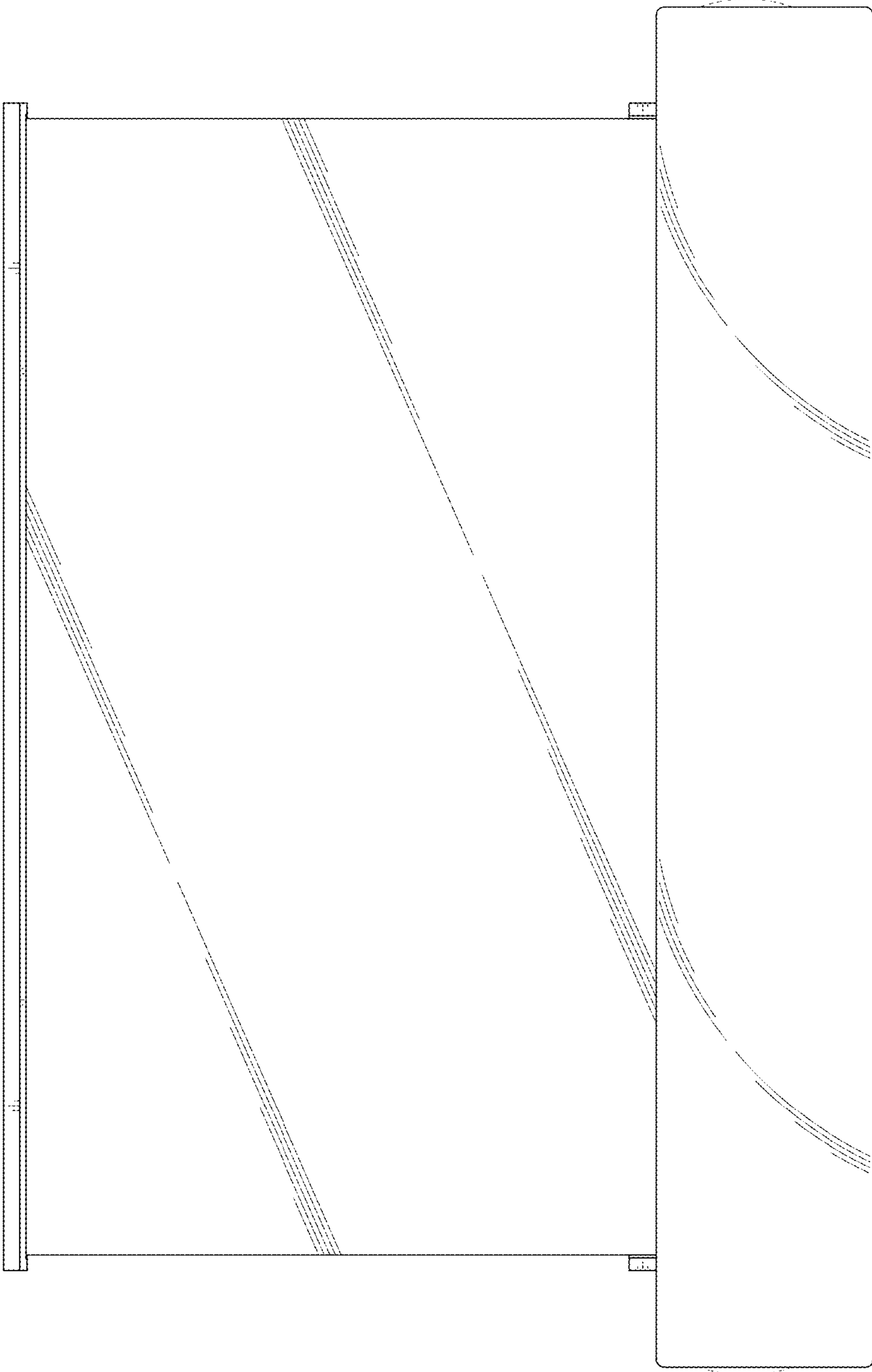


FIG. 12

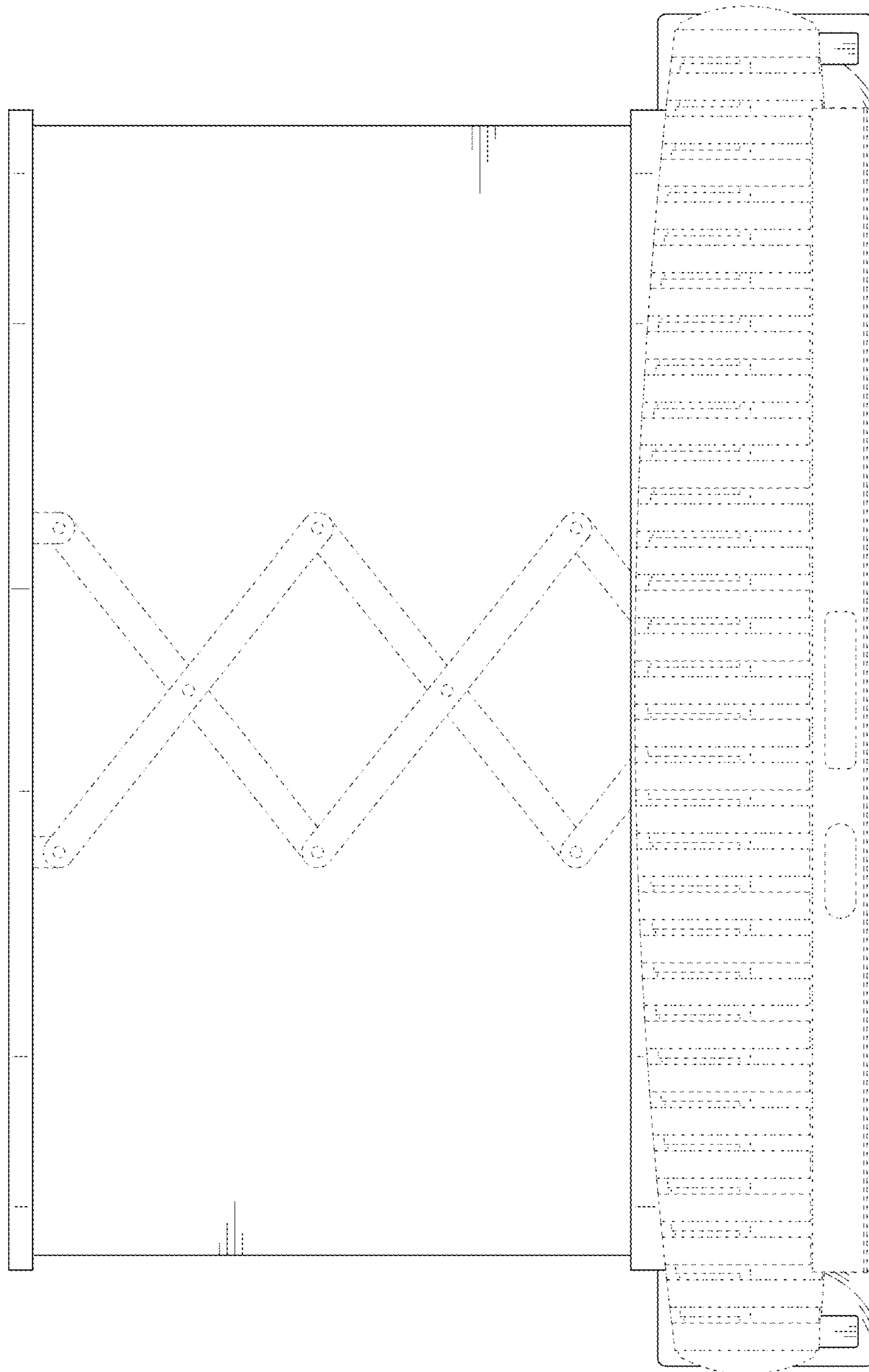


FIG. 13

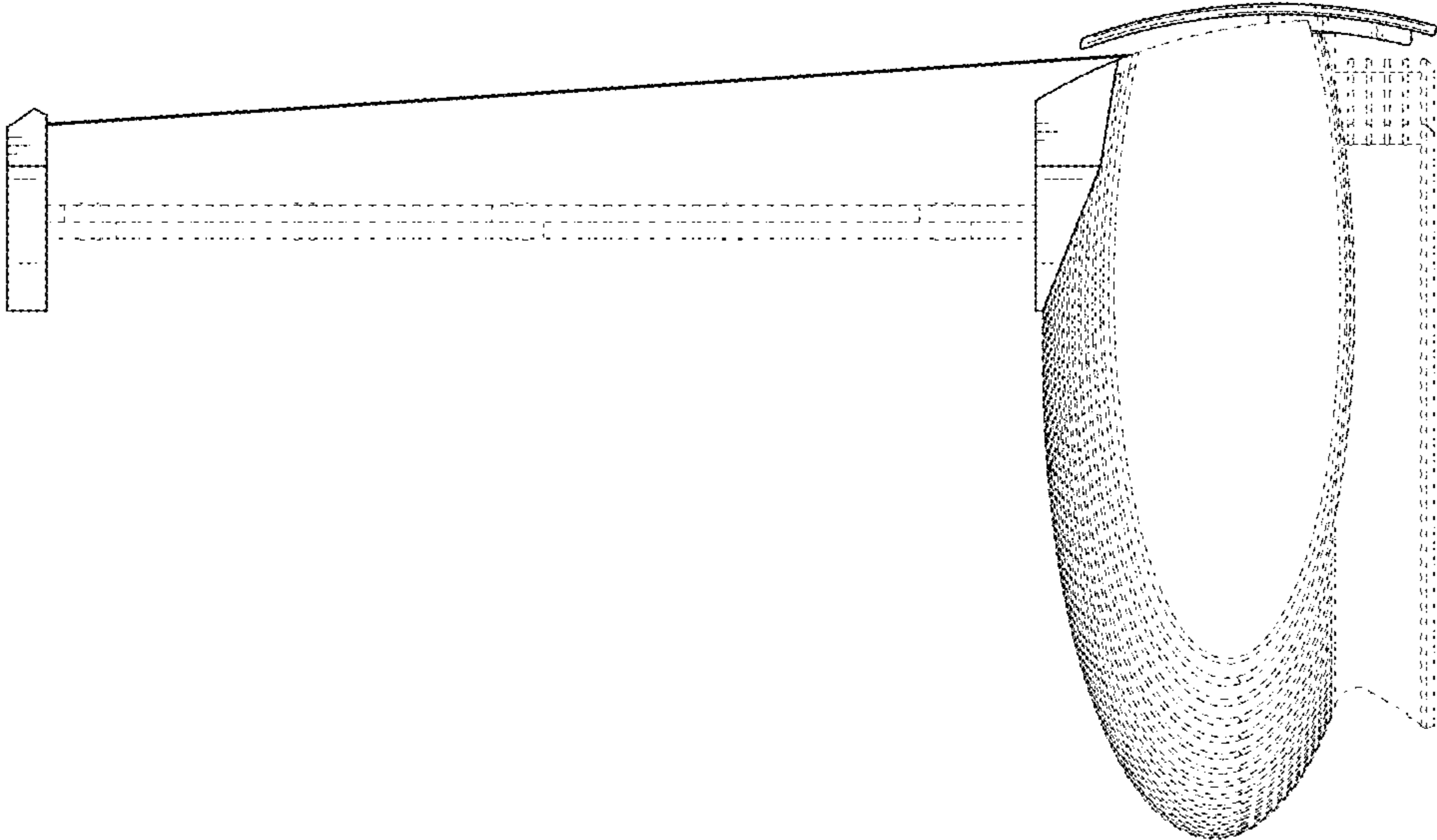


FIG. 14

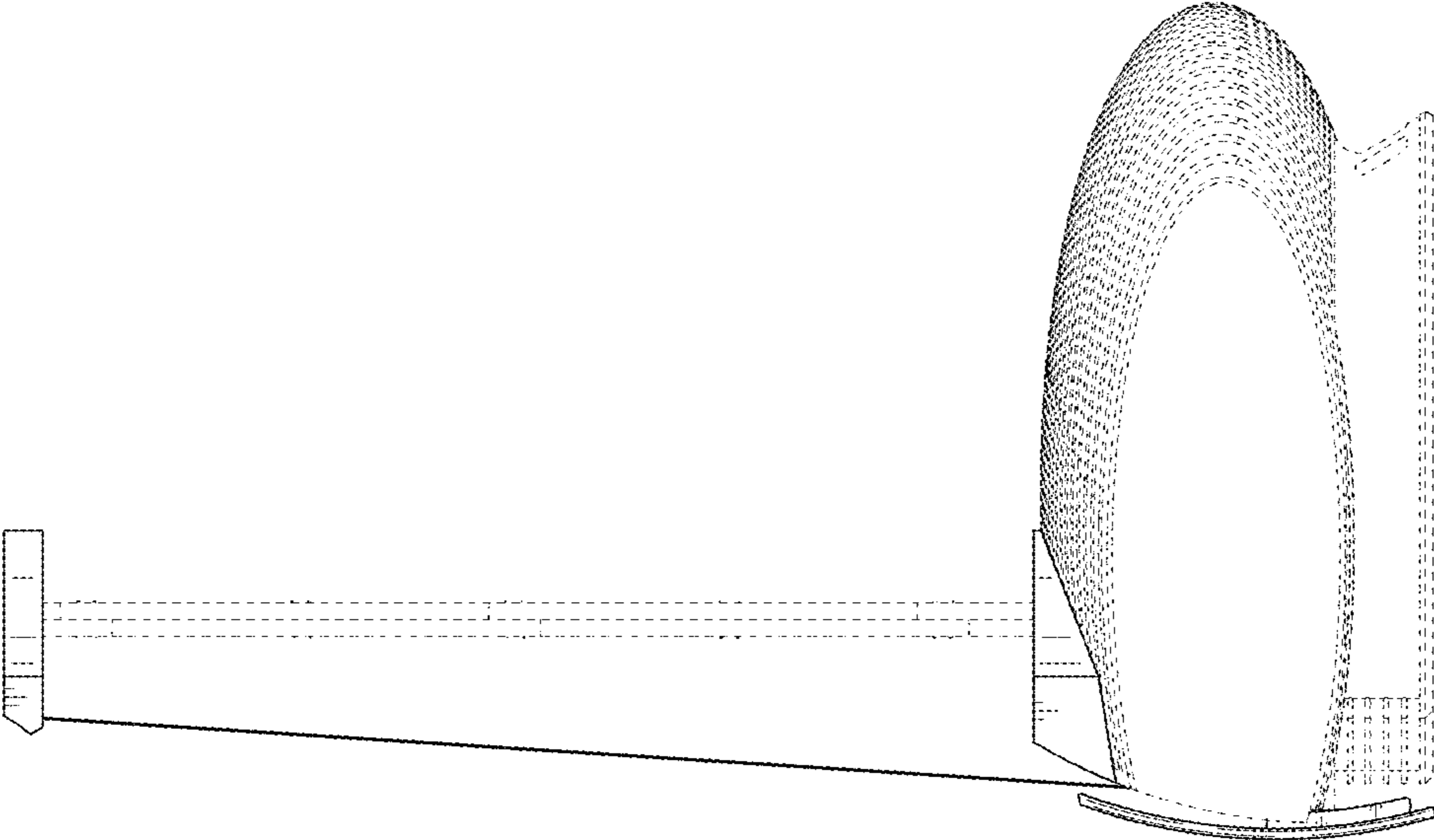




FIG. 15

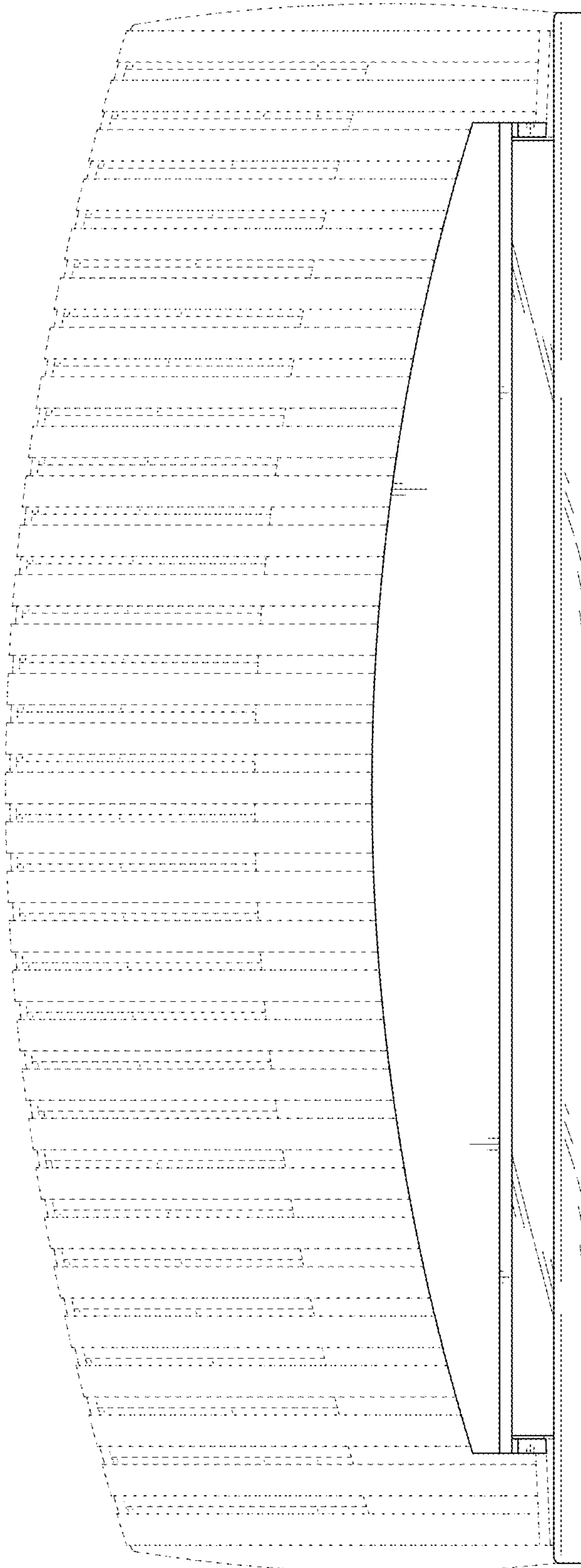


FIG. 16

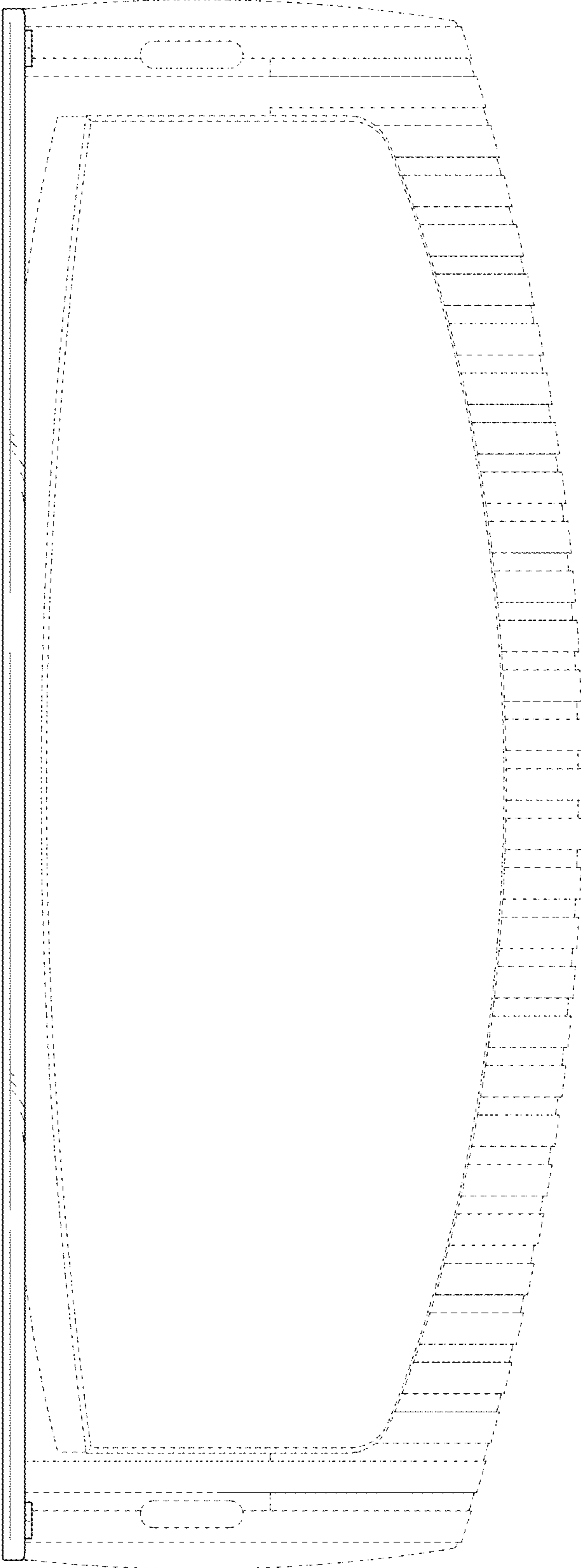


FIG. 17

