



US00D773415S

(12) **United States Design Patent**
Behar et al.

(10) **Patent No.:** **US D773,415 S**
(45) **Date of Patent:** **** Dec. 6, 2016**

(54) **TELEVISION RECEIVER**

(71) Applicant: **Samsung Electronics Co., Ltd.**,
Suwon-si (KR)

(72) Inventors: **Yves Behar**, San Francisco, CA (US);
Noah Murphy-Reinhertz, San Francisco, CA (US); **Arthur Kenzo Debaigue**, San Francisco, CA (US);
Casey Lewis, San Francisco, CA (US)

(73) Assignee: **Samsung Electronics Co., Ltd.**,
Suwon-si (KR)

(**) Term: **14 Years**

(21) Appl. No.: **29/515,339**

(22) Filed: **Jan. 22, 2015**

(30) **Foreign Application Priority Data**

Jul. 30, 2014 (KR) 30-2014-0037389

(51) **LOC (10) Cl.** **14-03**

(52) **U.S. Cl.**
USPC **D14/126**

(58) **Field of Classification Search**
USPC D14/125-134, 239, 371, 136,
374-377, D14/440, 450, 448, 336, 342,
159; 312/7.2; 348/836, 838, 180, 184,
325, 739; 248/917-924, 465; 345/104,
133, 156, 168, 345/87, 173; D21/329,
515, 577, 622, 333, 433, D21/448, 452,
450, 331, 505; D10/15, 26; 446/484, 175,
356; D6/477, 479, 300; D20/10, 19, 39
CPC G06F 1/1601; G06F 1/1643; H05K 5/0004;
H05K 5/0017; H05K 5/02; H05K 5/0217;
H04N 13/0459

See application file for complete search history.

(56) **References Cited**

U.S. PATENT DOCUMENTS

D606,953 S * 12/2009 Shin D14/126
D630,601 S * 1/2011 Chien D14/126

D635,942 S * 4/2011 Kim D14/126
D689,033 S 9/2013 Hwangbo et al.
D693,784 S 11/2013 Lee
D725,061 S * 3/2015 Kim D14/126
D751,520 S * 3/2016 Seo D14/126

(Continued)

FOREIGN PATENT DOCUMENTS

JP D 1400372 11/2010
KR 30-0734332 3/2014

OTHER PUBLICATIONS

Se-Chan Jang. "Viva Speakers—Foldable Smartphone Speaker"
[2012] Freshness. Jul. 17, 2012. <<http://www.freshnessmag.com/2012/07/17/viva-speakers-foldable-smartphone-speaker/>>.

Primary Examiner — Raphael Barkai
(74) *Attorney, Agent, or Firm* — NSIP Law

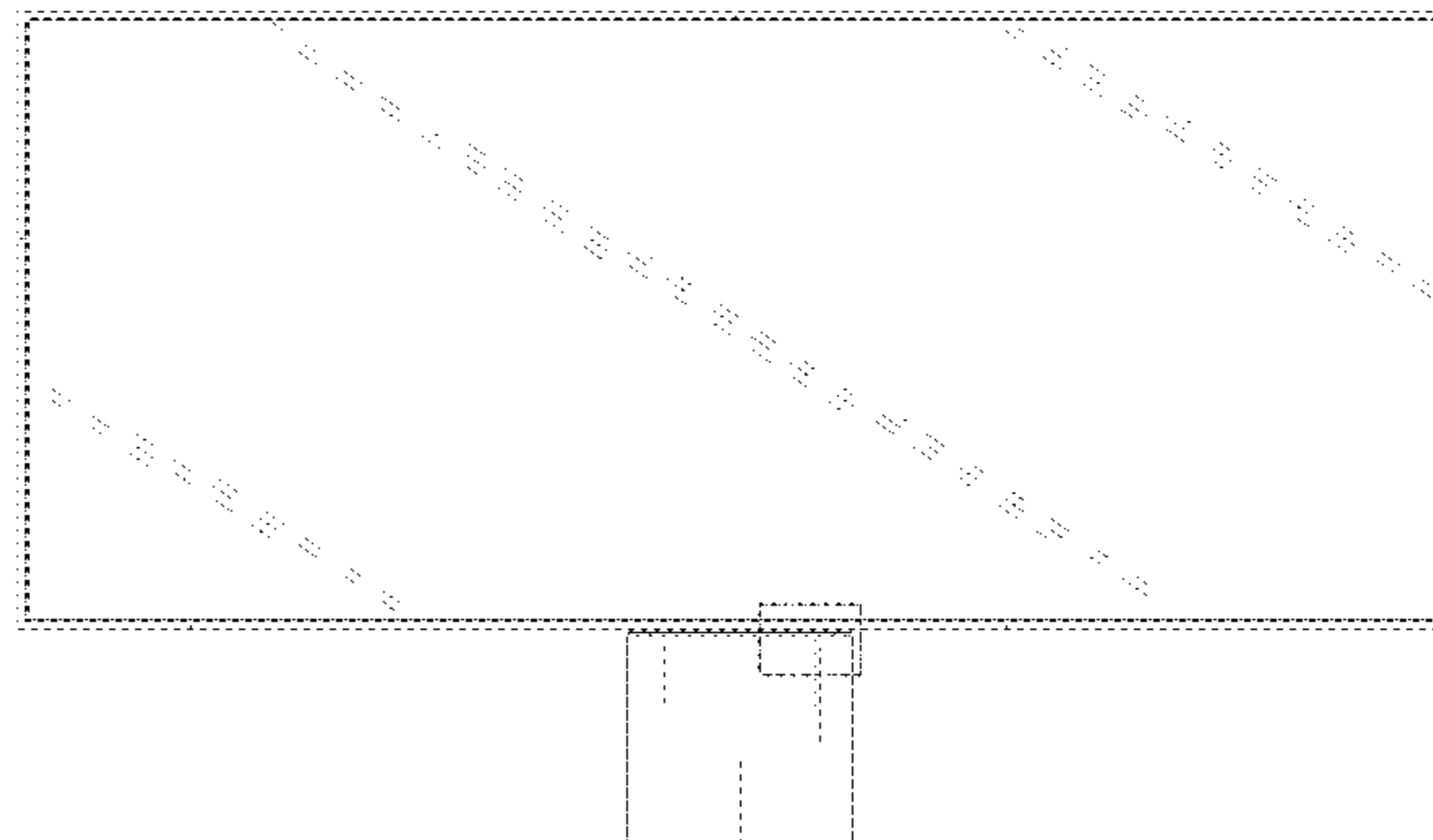
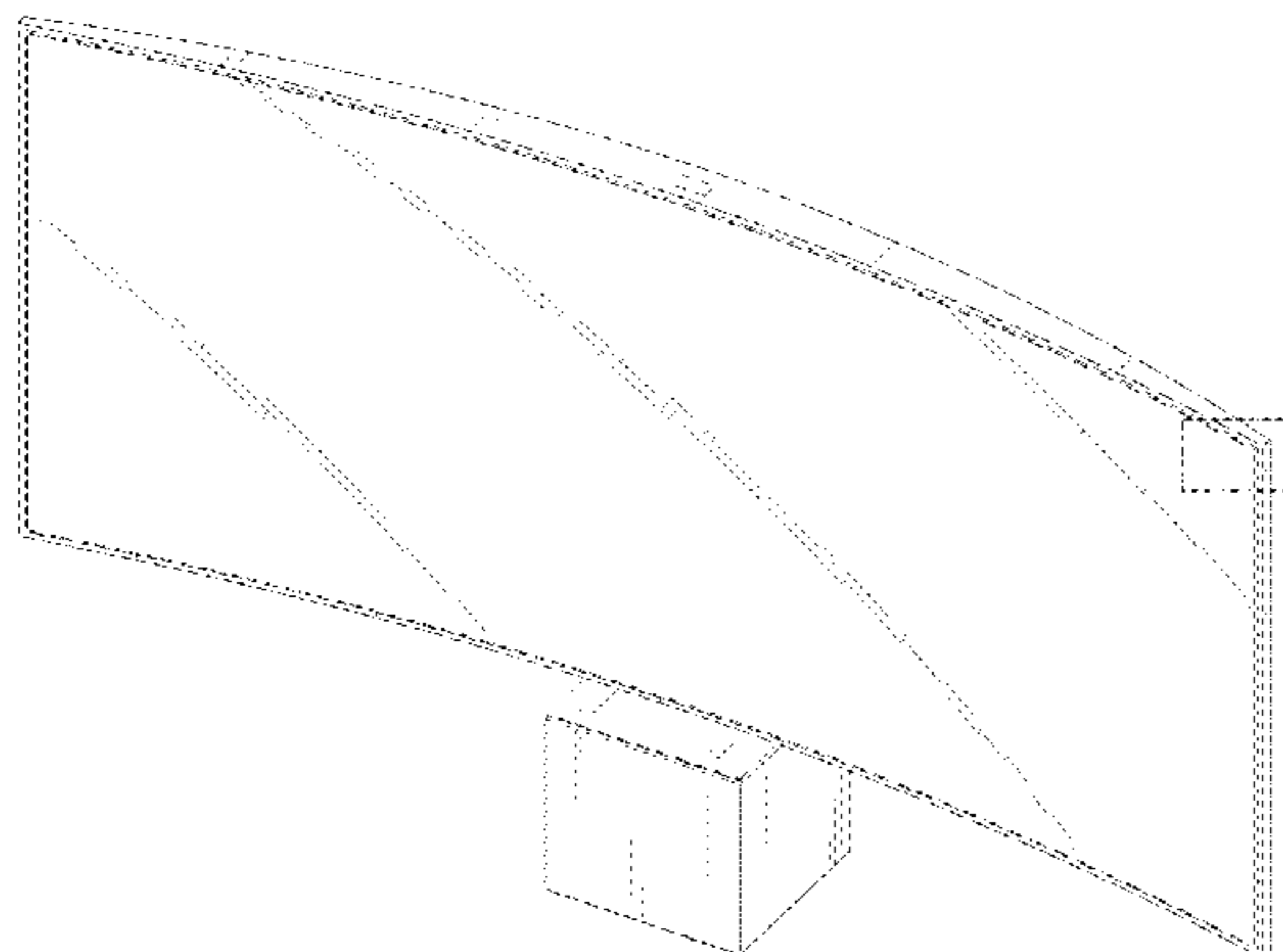
(57) **CLAIM**

We claim the ornamental design for a television receiver, as shown and described.

DESCRIPTION

FIG. 1 is a front perspective view of a television receiver showing my new design;
FIG. 2 is a front view thereof;
FIG. 3 is a rear view thereof;
FIG. 4 is a left-side view thereof;
FIG. 5 is a right-side view thereof;
FIG. 6 is a top view thereof;
FIG. 7 is a bottom view thereof;
FIG. 8 is a rear perspective view thereof;
FIG. 9 is an enlarged view of the encircled portion shown in FIG. 1; and,
FIG. 10 is an enlarged view of the encircled portion shown in FIG. 2.
The broken lines in the figures show portions of the television receiver which form no part of the claimed design.

(Continued)



The dot-dash broken lines encircling portions of the claimed design that are illustrated in enlargements form no part of the claimed design.

1 Claim, 9 Drawing Sheets

(56) **References Cited**

U.S. PATENT DOCUMENTS

D754,087 S * 4/2016 Ryu D14/126
D755,141 S * 5/2016 Park D14/126

* cited by examiner

FIG. 1

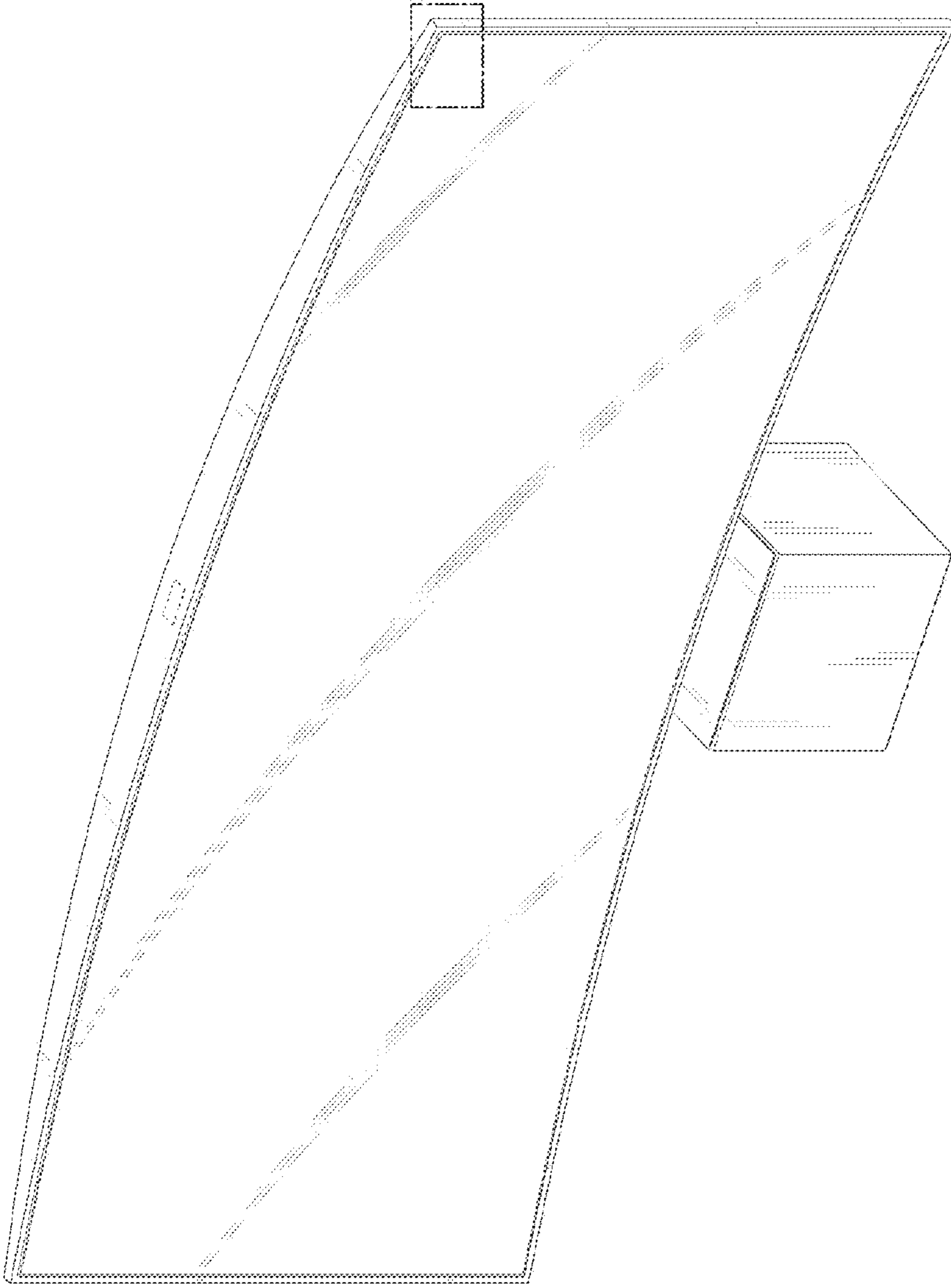


FIG. 2

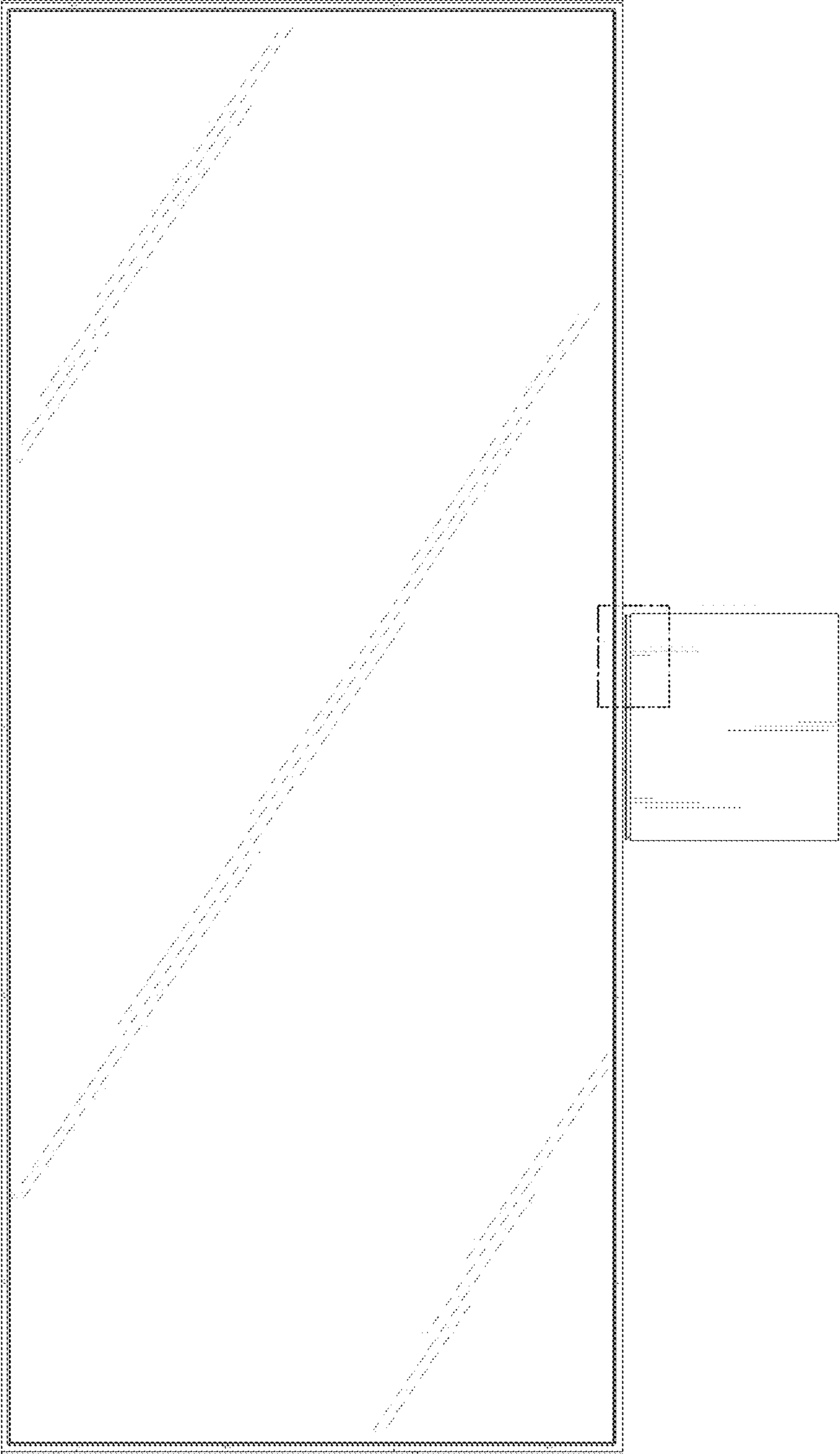


FIG. 3

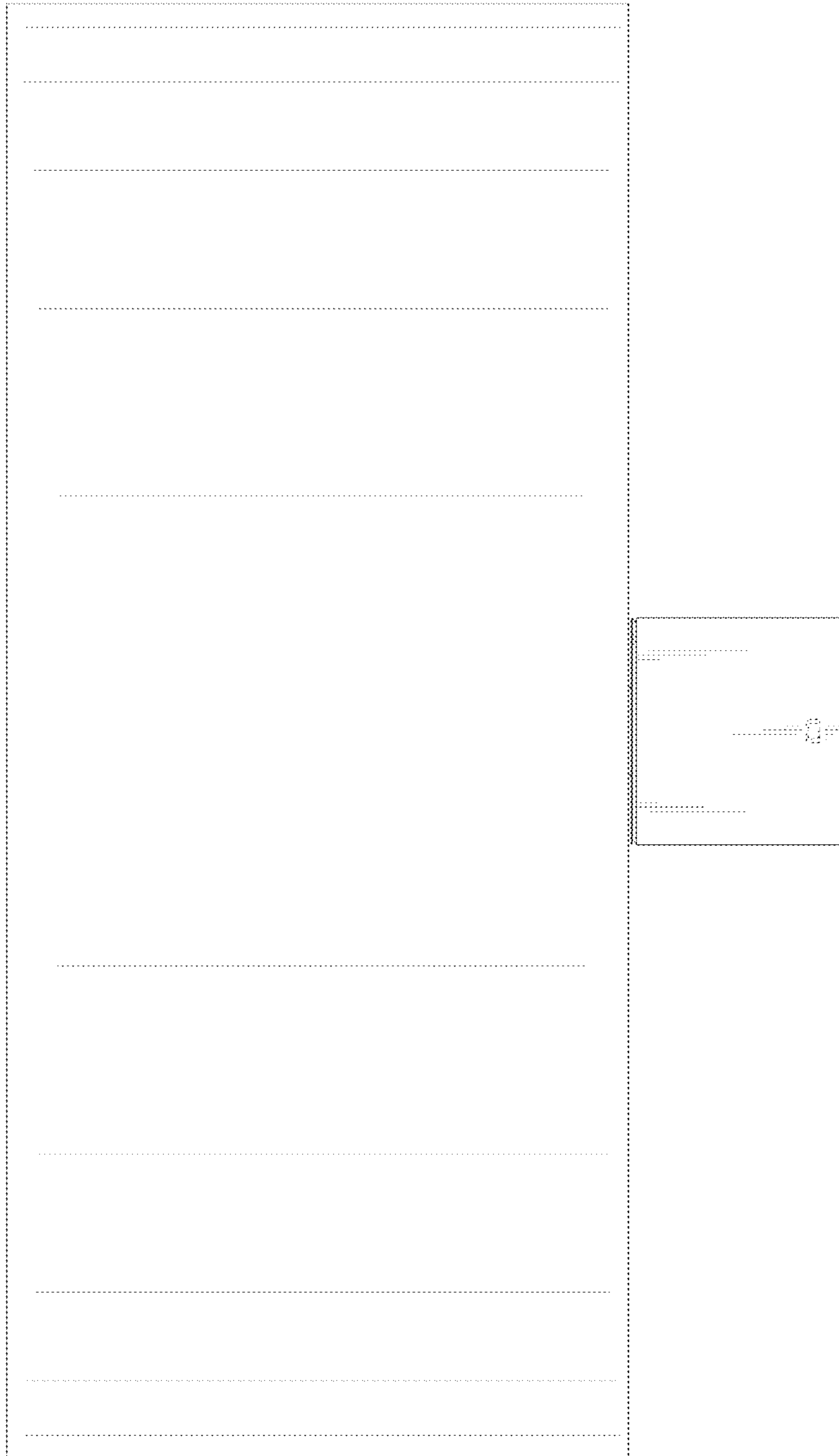


FIG. 5

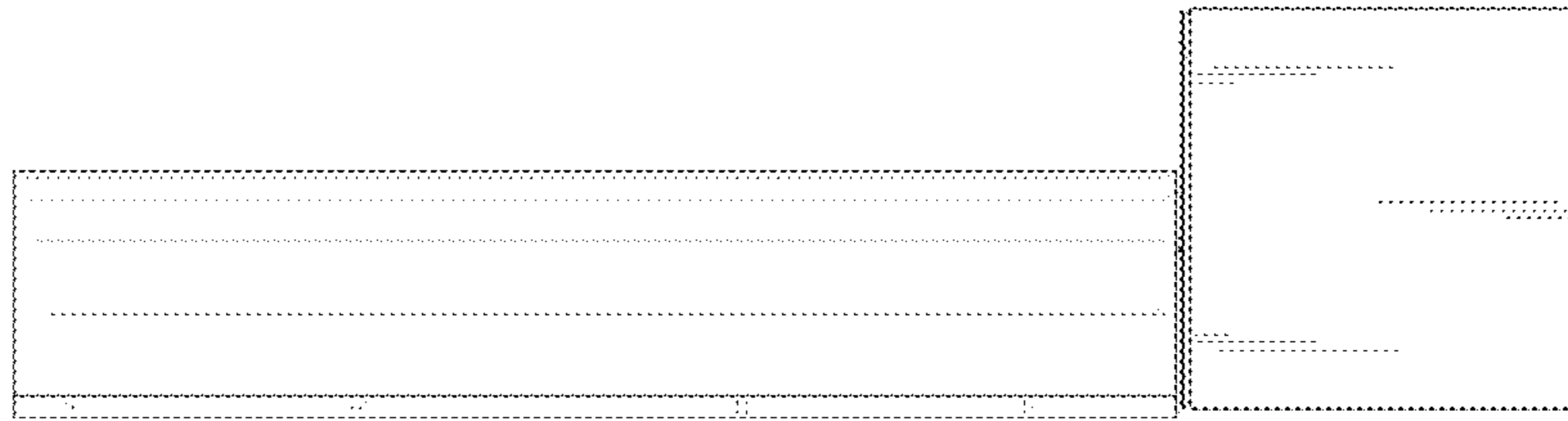


FIG. 4

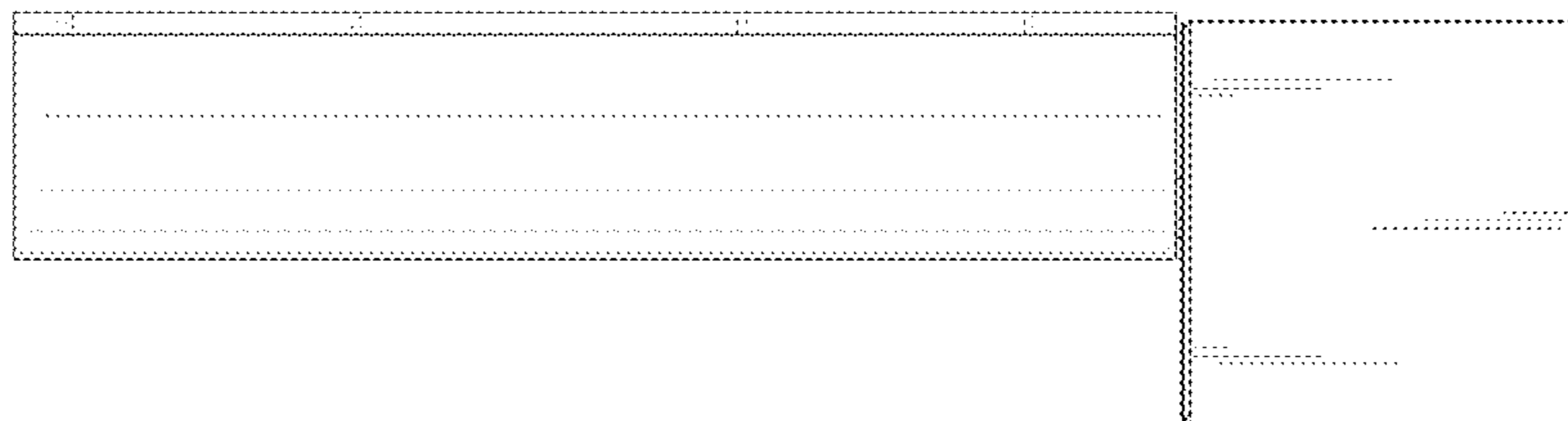


FIG. 6

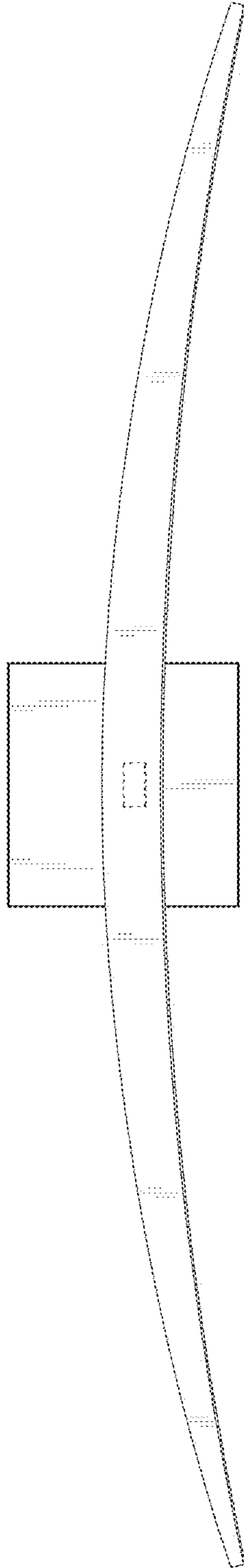


FIG. 7

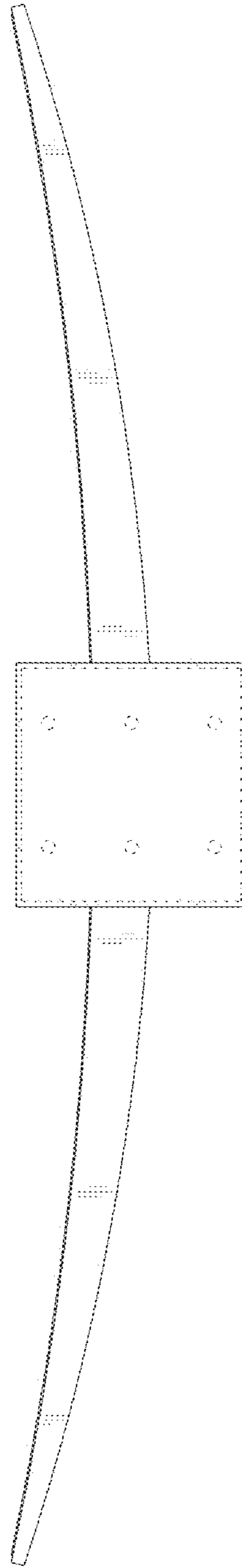


FIG. 8

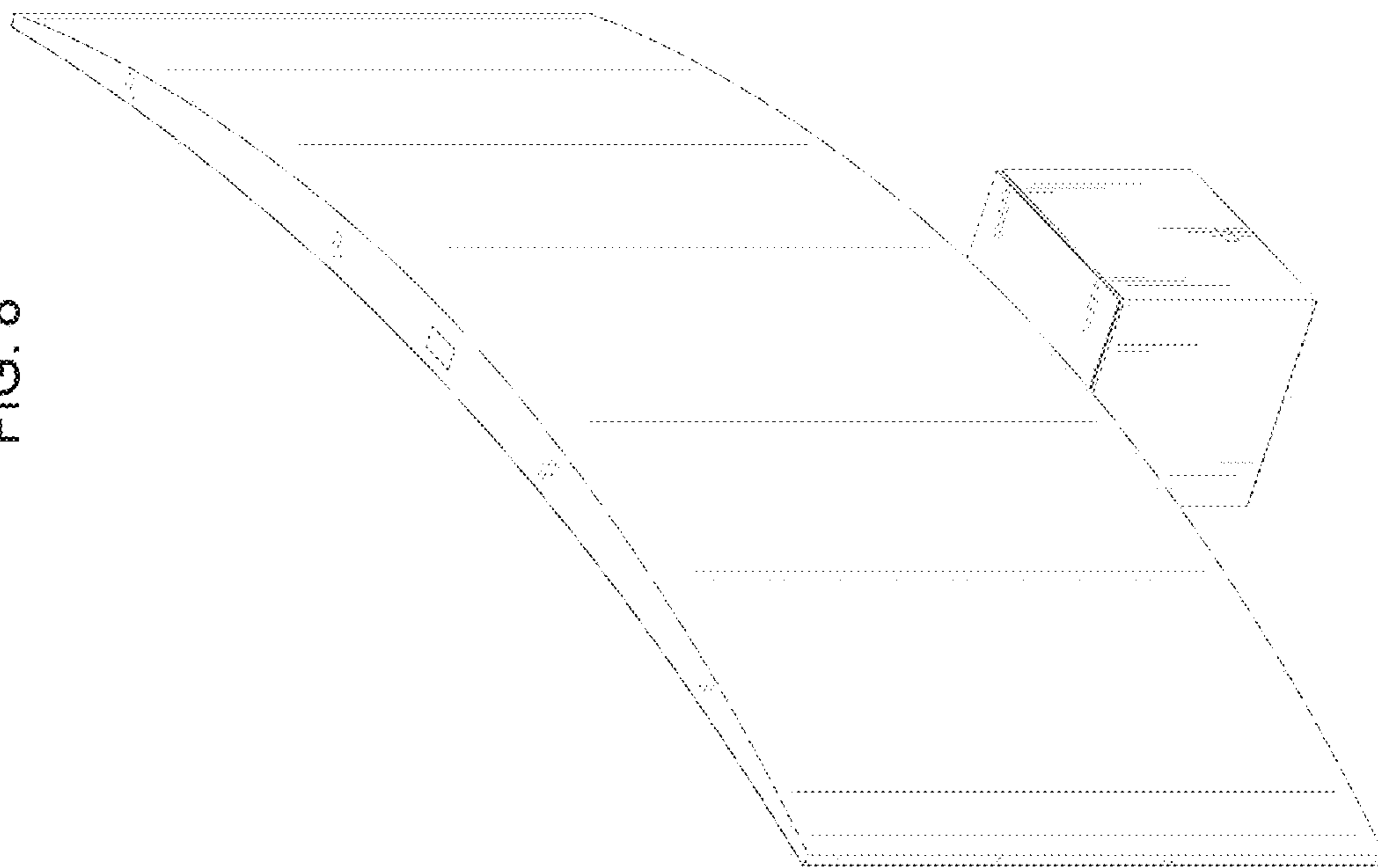


FIG. 9

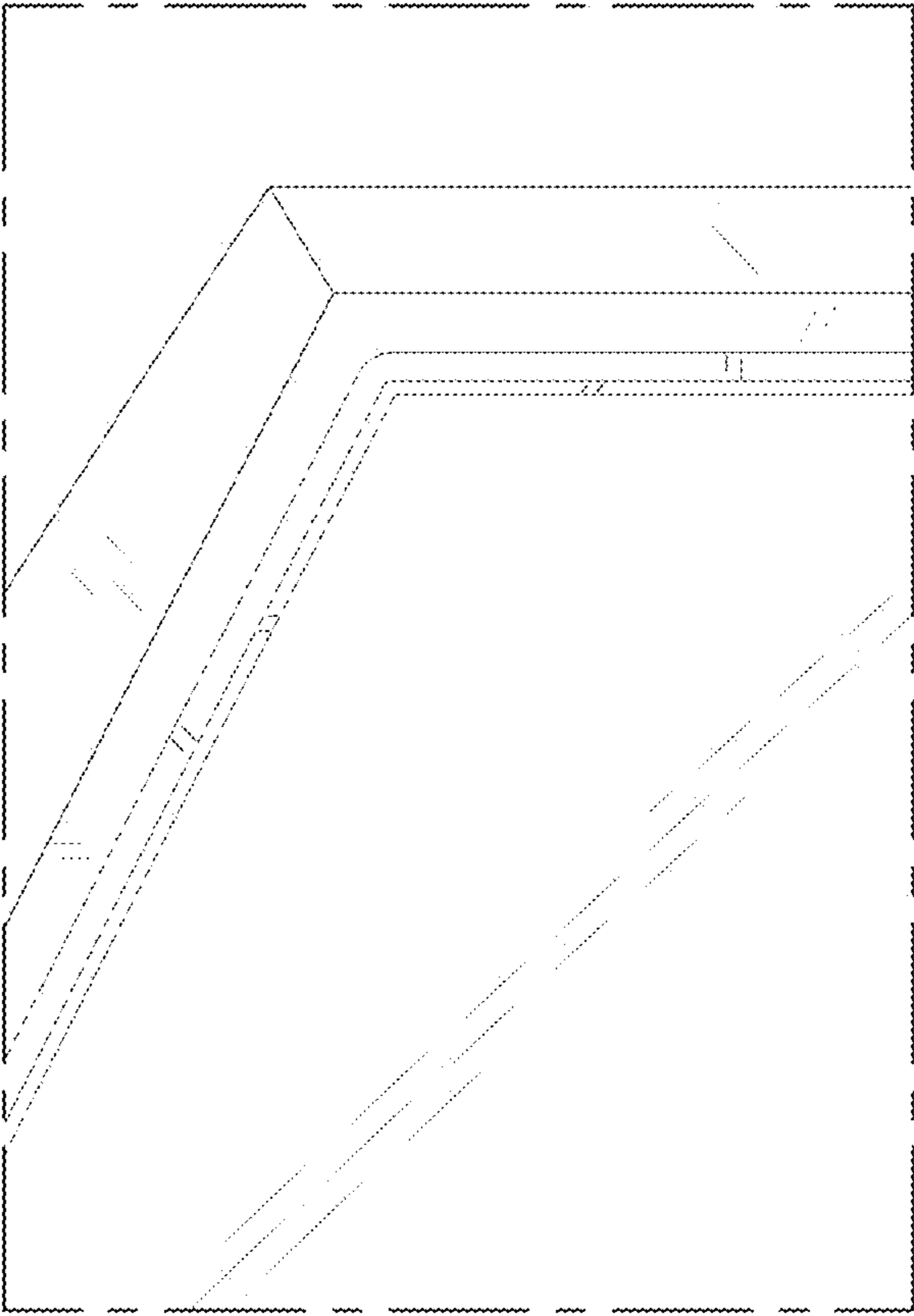


FIG. 10

