



US00D773414S

(12) **United States Design Patent**
Hoffman

(10) **Patent No.:** **US D773,414 S**

(45) **Date of Patent:** **** Dec. 6, 2016**

- (54) **MAGNET HOLDER**
- (71) Applicant: **T3 Expo, LLC**, Lakeville, MA (US)
- (72) Inventor: **Christopher James Hoffman**, Hanson, MA (US)
- (73) Assignee: **T3 Expo, LLC**, Lakeville, MA (US)
- (**) Term: **14 Years**
- (21) Appl. No.: **29/523,127**
- (22) Filed: **Apr. 7, 2015**
- (51) **LOC (10) Cl.** **13-99**
- (52) **U.S. Cl.**
USPC **D13/183**
- (58) **Field of Classification Search**
USPC D13/183, 133, 154, 184, 199; D8/16, D8/373, 354; D19/75, 96, 97, 100; 174/661, 174/659, 50, 660, 666, 153 G, 655, 58, 60, 64, 174/656, 665, 135, 152 G, 53, 57, 59, 650, 653, 174/657, 663, 667; 446/129, 132, 137, 138; 63/29.2, 900; 248/206.5, 467; 40/600, 621; 24/691, 619; D25/113, 124, 119, 121; D21/503; D20/22, 41, 43
CPC G09F 7/04; G09F 2007/1852; Y10T 24/32; A44D 2203/00; Y10S 63/90; Y10S 211/01; B43M 99/004
See application file for complete search history.

- (56) **References Cited**
U.S. PATENT DOCUMENTS
D27,761 S * 10/1897 Mark D25/106
835,478 A * 11/1906 Sjobring 52/588.1
910,192 A * 1/1909 Grouvelle F28F 13/12
138/177
1,371,619 A * 3/1921 Greenstreet A63H 33/06
446/124
1,906,108 A * 4/1933 Schlueter B28B 23/024
52/348

- 3,310,623 A * 3/1967 Vaughan H02G 11/02
138/108
- 3,360,883 A * 1/1968 Glanzer A63H 33/102
24/339
- 4,069,638 A * 1/1978 Hasselqvist B21C 37/104
403/231
- D285,119 S * 8/1986 Krautz D25/113
- D285,463 S * 9/1986 Davis D21/502
- 4,712,286 A * 12/1987 Wolf A47B 57/40
138/160
- 5,269,619 A * 12/1993 Warkus F16B 7/0473
403/20
- D357,510 S * 4/1995 Kushner D21/503
- D361,631 S * 8/1995 King D25/128
- D387,398 S * 12/1997 Øhrwald D21/503
- 5,901,859 A * 5/1999 Carr A47F 7/143
211/45
- D429,005 S * 8/2000 Risi D25/113
- 6,276,111 B1 * 8/2001 Pittman, Sr. B21D 39/04
403/205
- D457,969 S * 5/2002 Smith D25/113

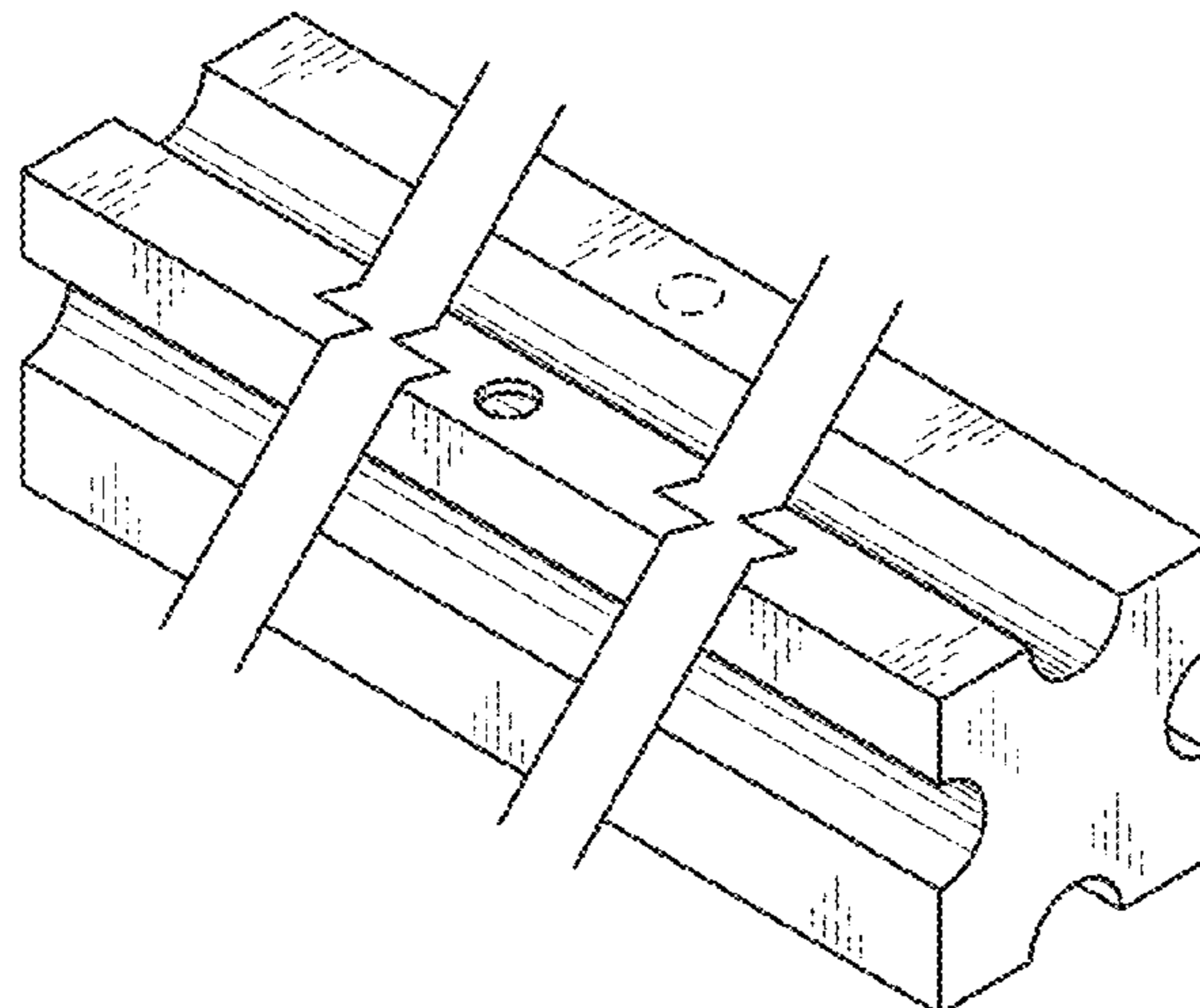
(Continued)

Primary Examiner — Derrick Holland
Assistant Examiner — Jennifer O King
(74) *Attorney, Agent, or Firm* — Strategic Patents, P.C.

(57) **CLAIM**
What is claimed is the ornamental design for a magnet holder, as shown and described.

DESCRIPTION
FIG. 1 is a front perspective view of a magnet holder;
FIG. 2 is a top view thereof;
FIG. 3 is a bottom view thereof;
FIG. 4 is a front view thereof;
FIG. 5 is a back view thereof;
FIG. 6 is a right side view thereof; and,
FIG. 7 is a left side view thereof.
The broken lines shown represent unclaimed subject matter and form no part of the claimed design.
The magnet holder is shown with a symbolic break in its length. The appearance of any portion of the article between the break lines forms no part of the claimed design.

1 Claim, 2 Drawing Sheets



(56)

References Cited

U.S. PATENT DOCUMENTS

D469,825 S * 2/2003 Manville D21/499
D507,447 S * 7/2005 Moore D7/300
D546,974 S * 7/2007 Aughton D25/119
D572,985 S * 7/2008 Galeano D8/1
D600,224 S * 9/2009 Lanktree D13/183
D623,600 S * 9/2010 Baker D13/133
D642,217 S * 7/2011 Von Der Lancken D19/91
D654,870 S * 2/2012 Pehlari D13/110
D668,620 S * 10/2012 Convert D13/147
D693,321 S * 11/2013 Zelazowski D13/183
D693,482 S * 11/2013 Merriam D25/113
D710,193 S * 8/2014 Akana D9/418
D745,299 S * 12/2015 Chang D25/124
D761,443 S * 7/2016 Martinez D25/113
2013/0255120 A1 * 10/2013 Valiulis G09F 7/04
40/600
2014/0202054 A1 * 7/2014 Valentine G09F 15/0012
40/600

* cited by examiner

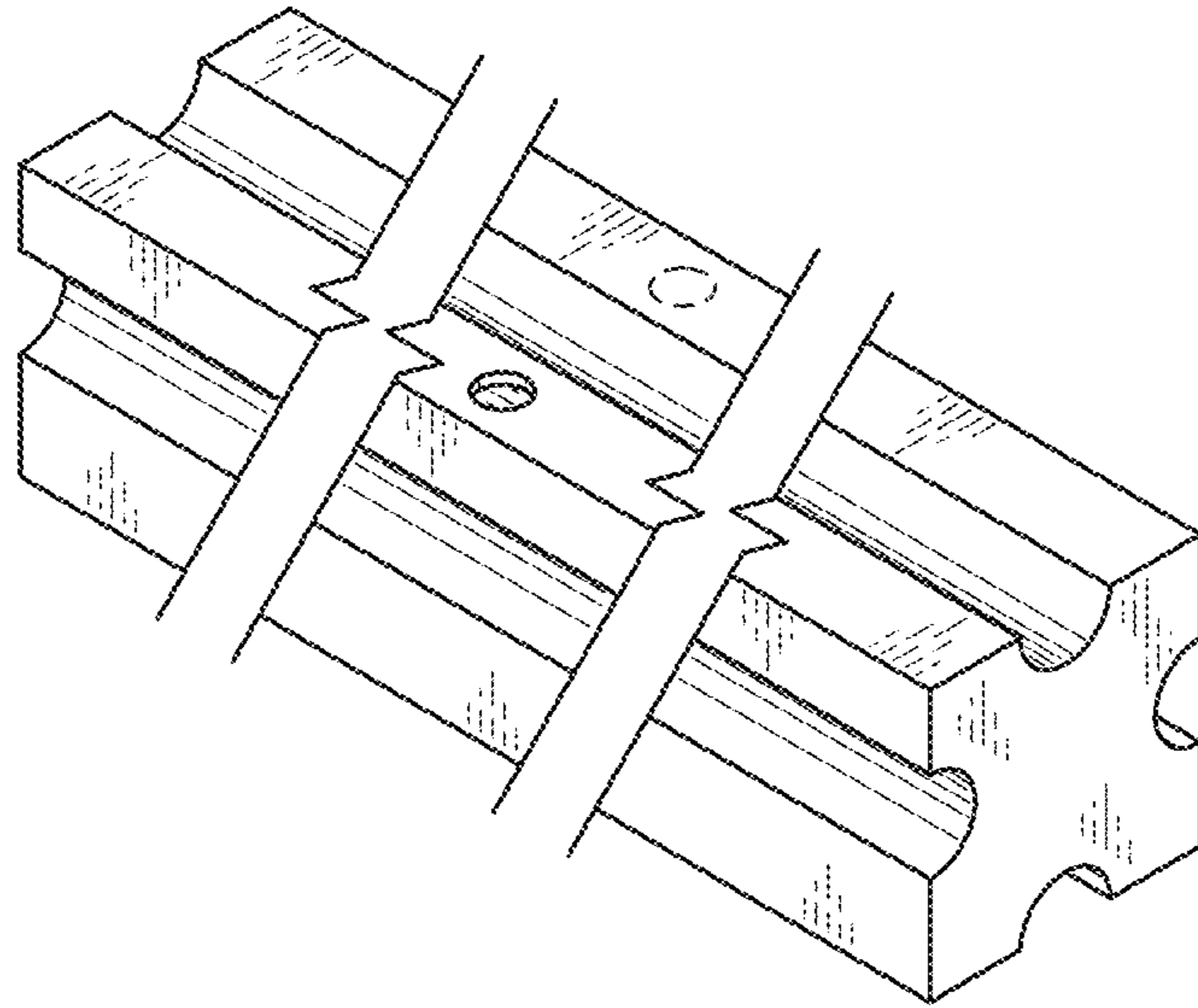


FIG. 1

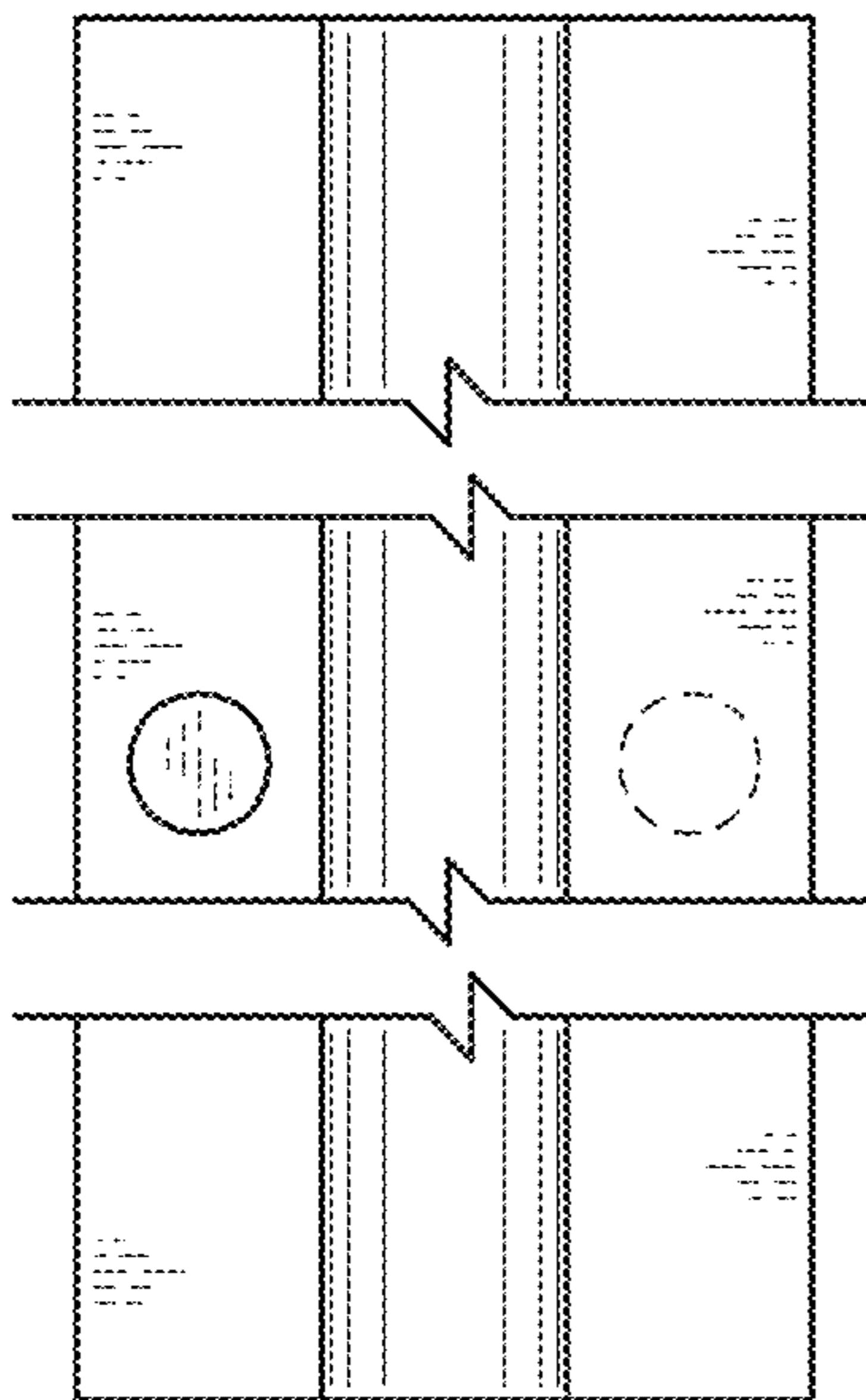


FIG. 2

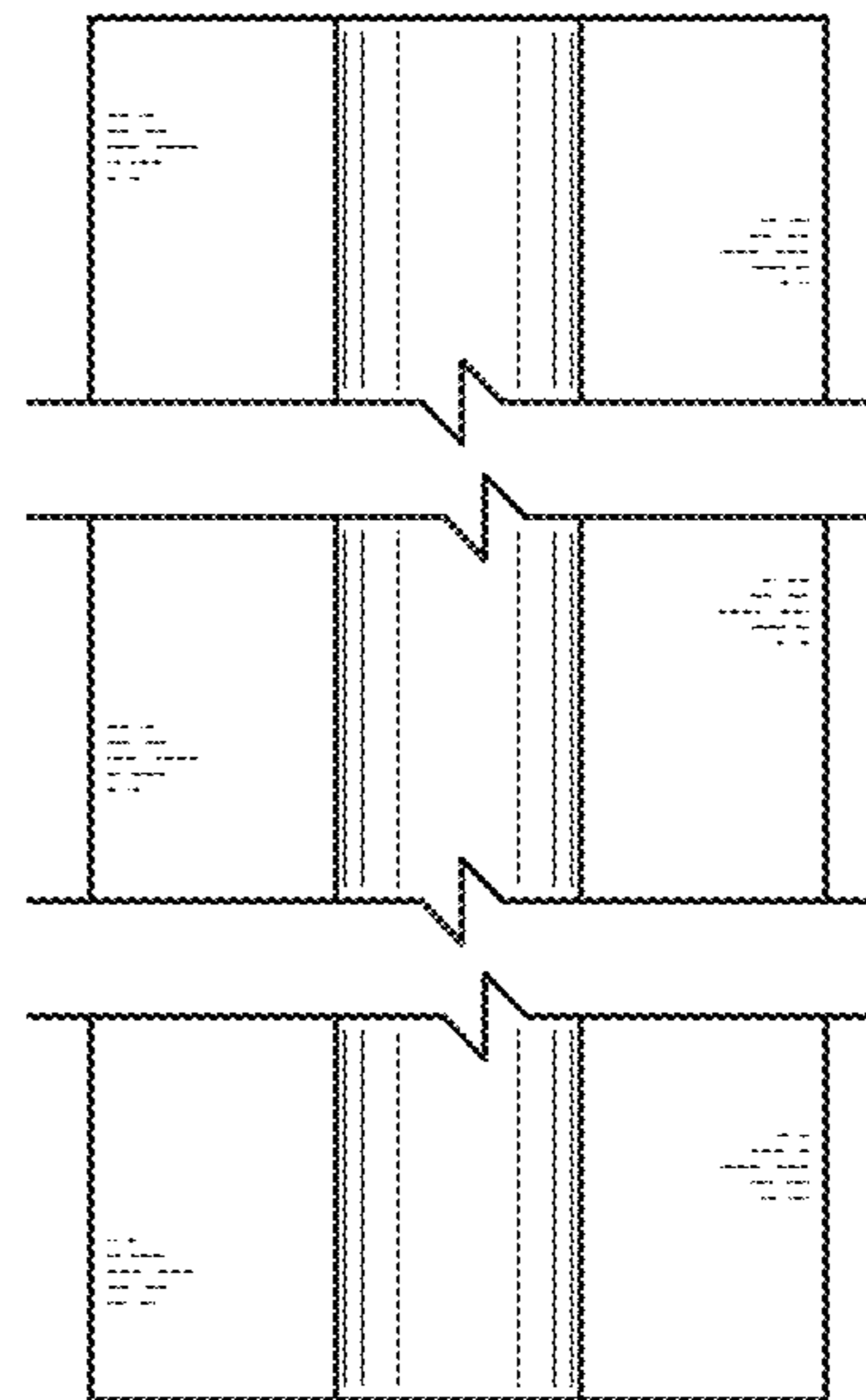


FIG. 3

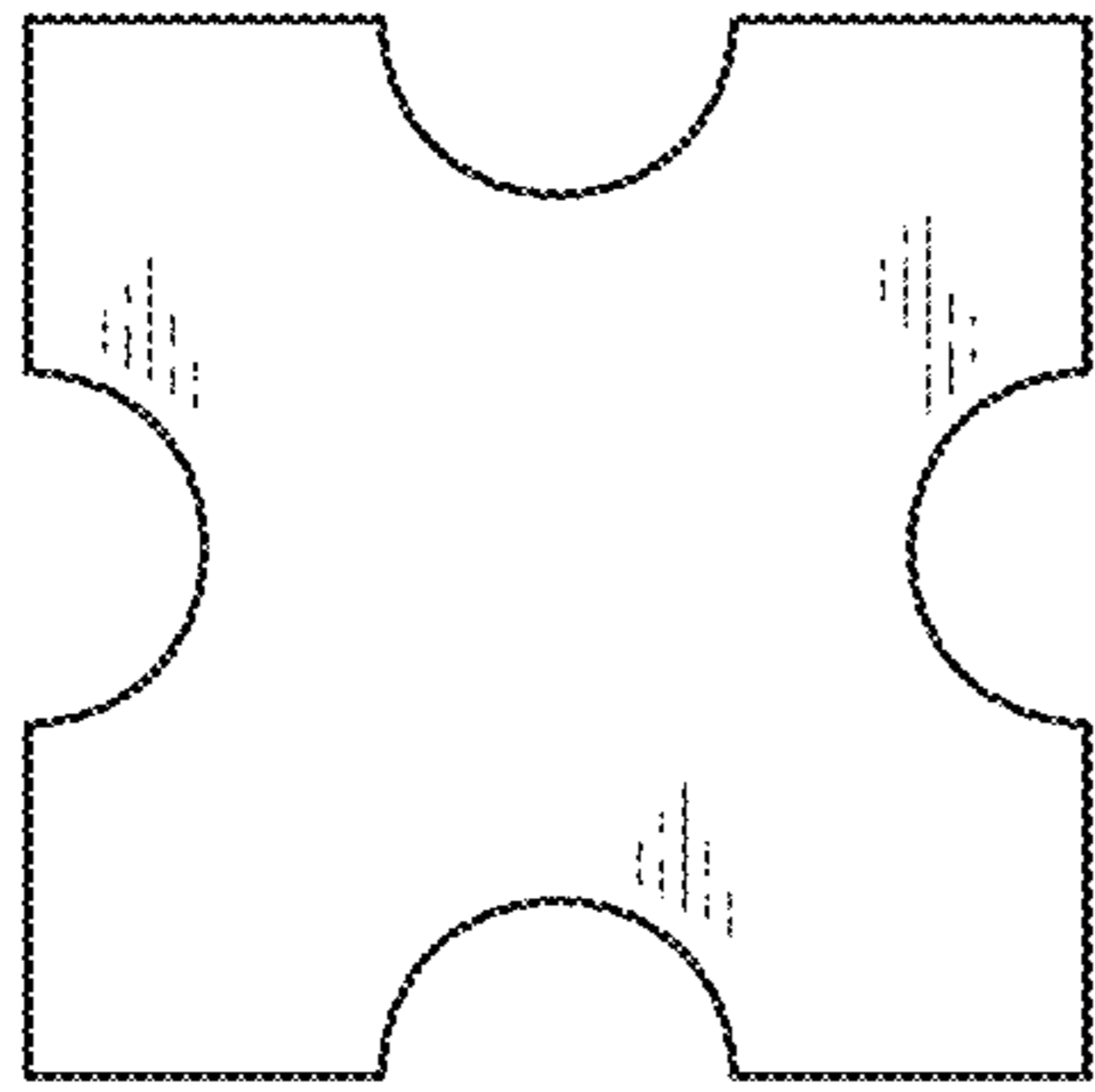


FIG. 4

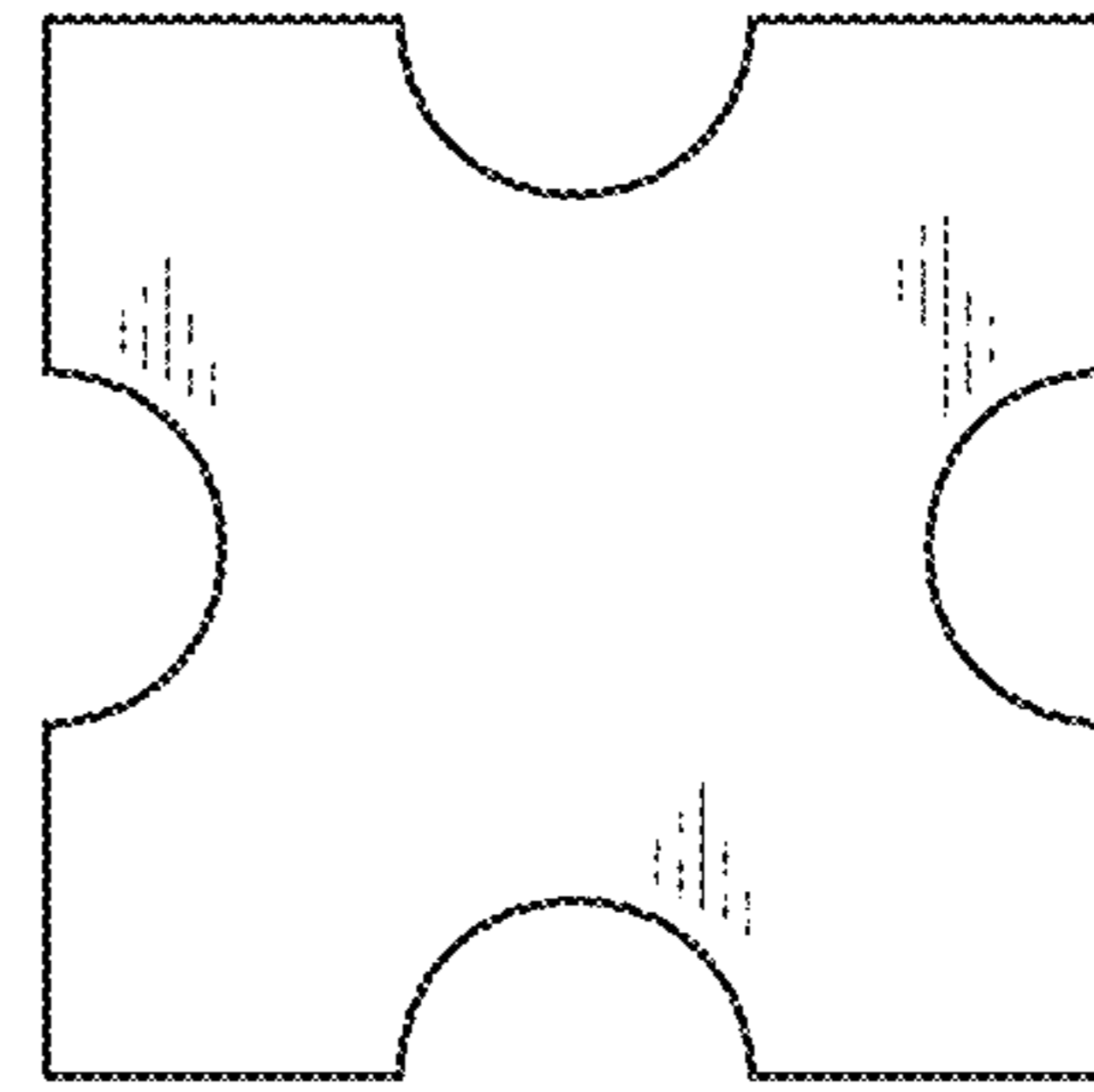


FIG. 5

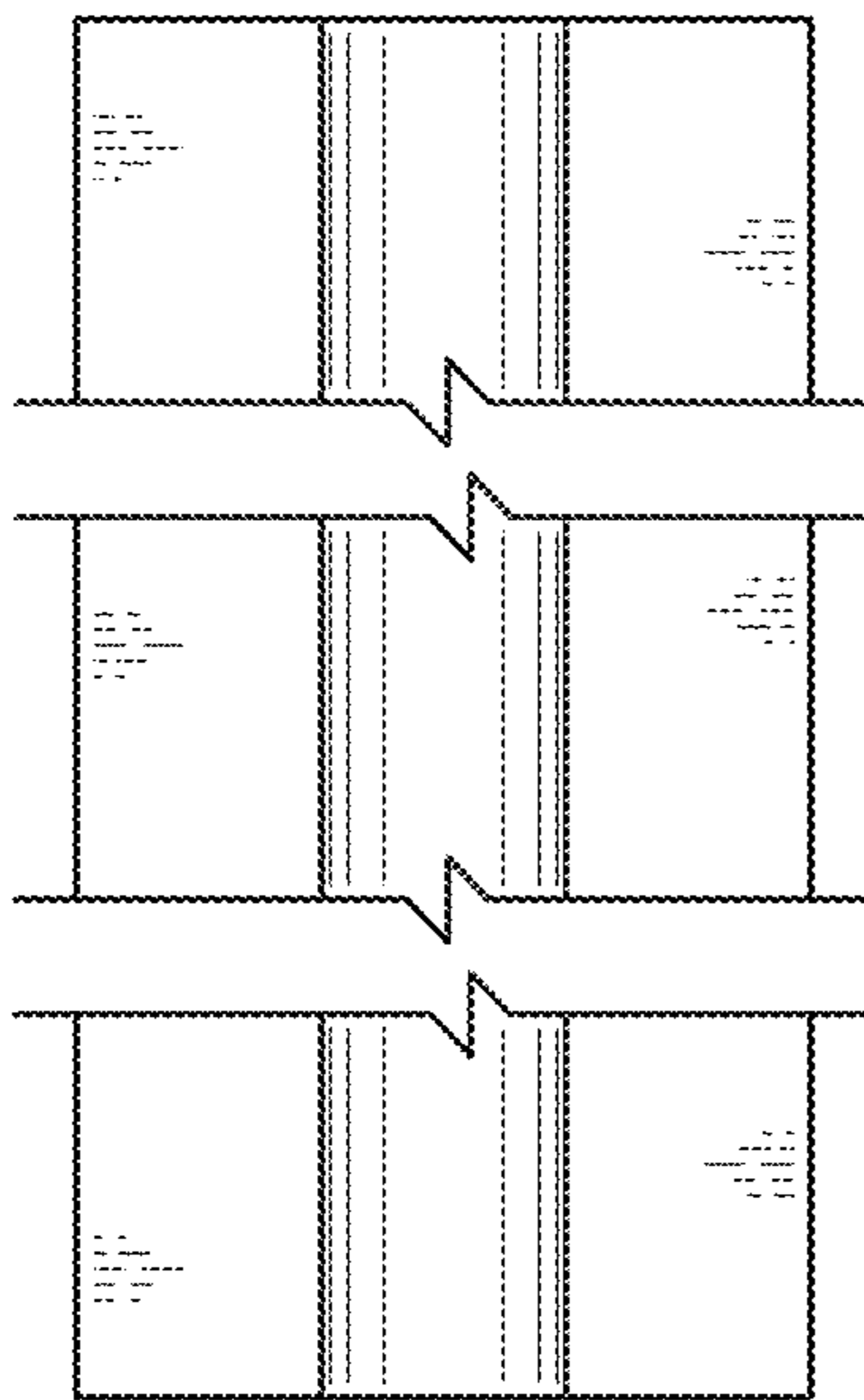


FIG. 6

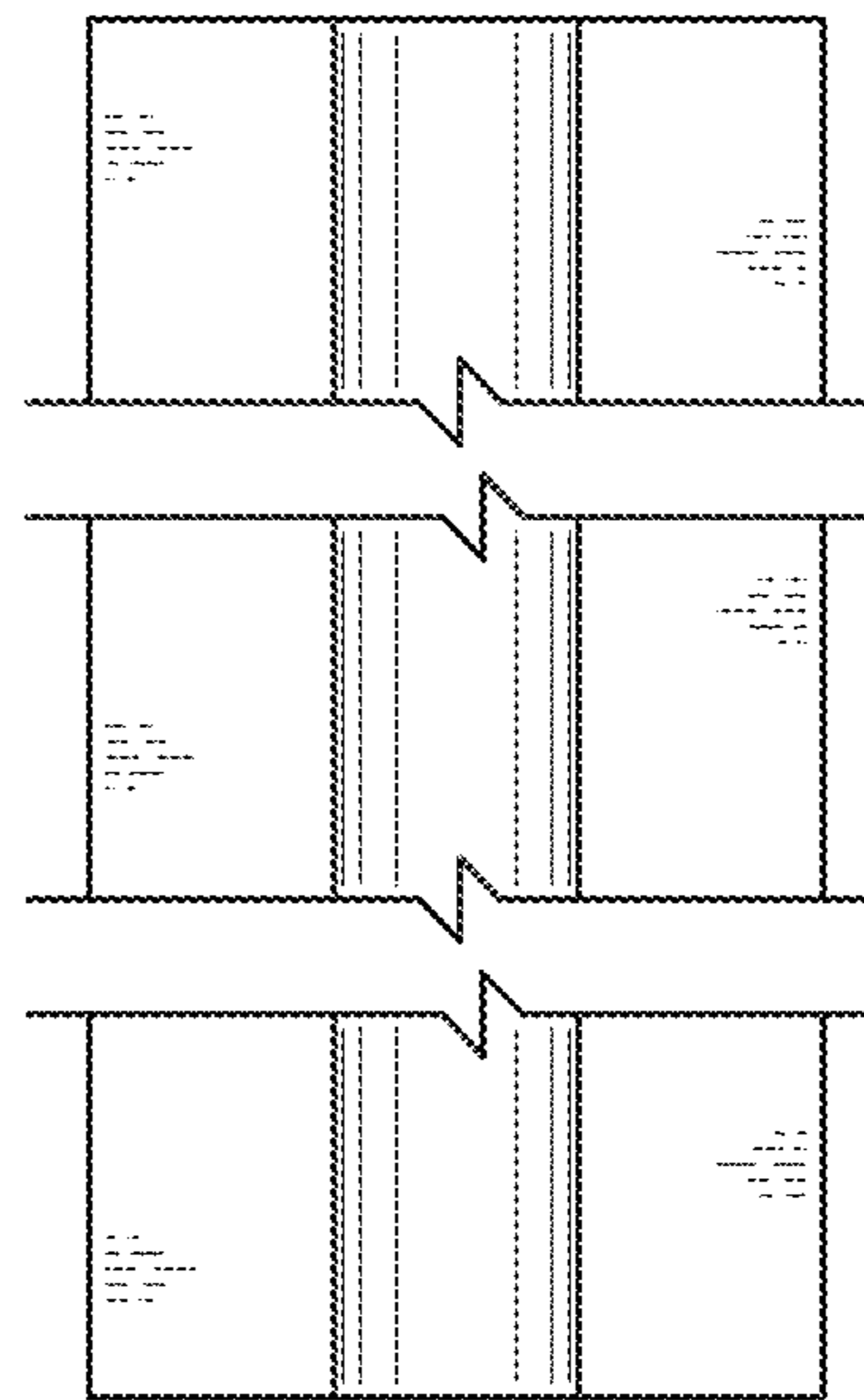


FIG. 7