



US00D773410S

(12) **United States Design Patent**
Yeh et al.

(10) **Patent No.:** **US D773,410 S**
(45) **Date of Patent:** **** Dec. 6, 2016**

(54) **LIGHT-EMITTING DIODE ARRAY**

(71) Applicant: **EPISTAR CORPORATION**, Hsinchu (TW)

(72) Inventors: **Hui-Chun Yeh**, Hsinchu (TW);
Chien-Fu Shen, Hsinchu (TW);
Tsun-Kai Ko, Hsinchu (TW)

(73) Assignee: **EPISTAR CORPORATION**, Hsinchu (TW)

(**) Term: **14 Years**

(21) Appl. No.: **29/507,206**

(22) Filed: **Oct. 24, 2014**

(51) **LOC (10) Cl.** **13-03**

(52) **U.S. Cl.**
USPC **D13/180**

(58) **Field of Classification Search**
USPC D13/180; D26/1
(Continued)

(56) **References Cited**

U.S. PATENT DOCUMENTS

D566,057 S * 4/2008 Edmond D13/180
D579,019 S * 10/2008 Lei D13/180
(Continued)

Primary Examiner — Selina Sikder

(74) *Attorney, Agent, or Firm* — Muncy, Geissler, Olds & Lowe, P.C.

(57) **CLAIM**

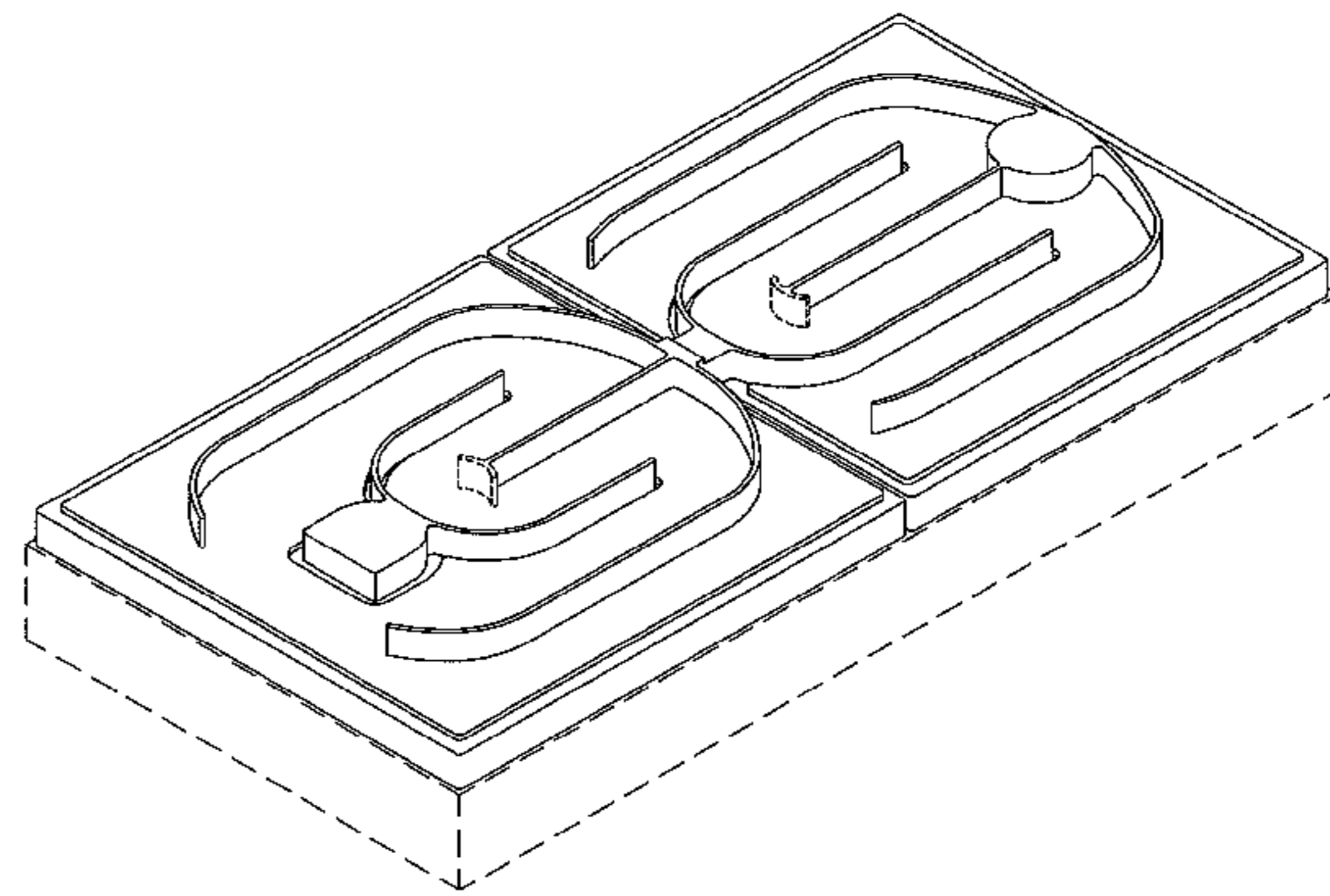
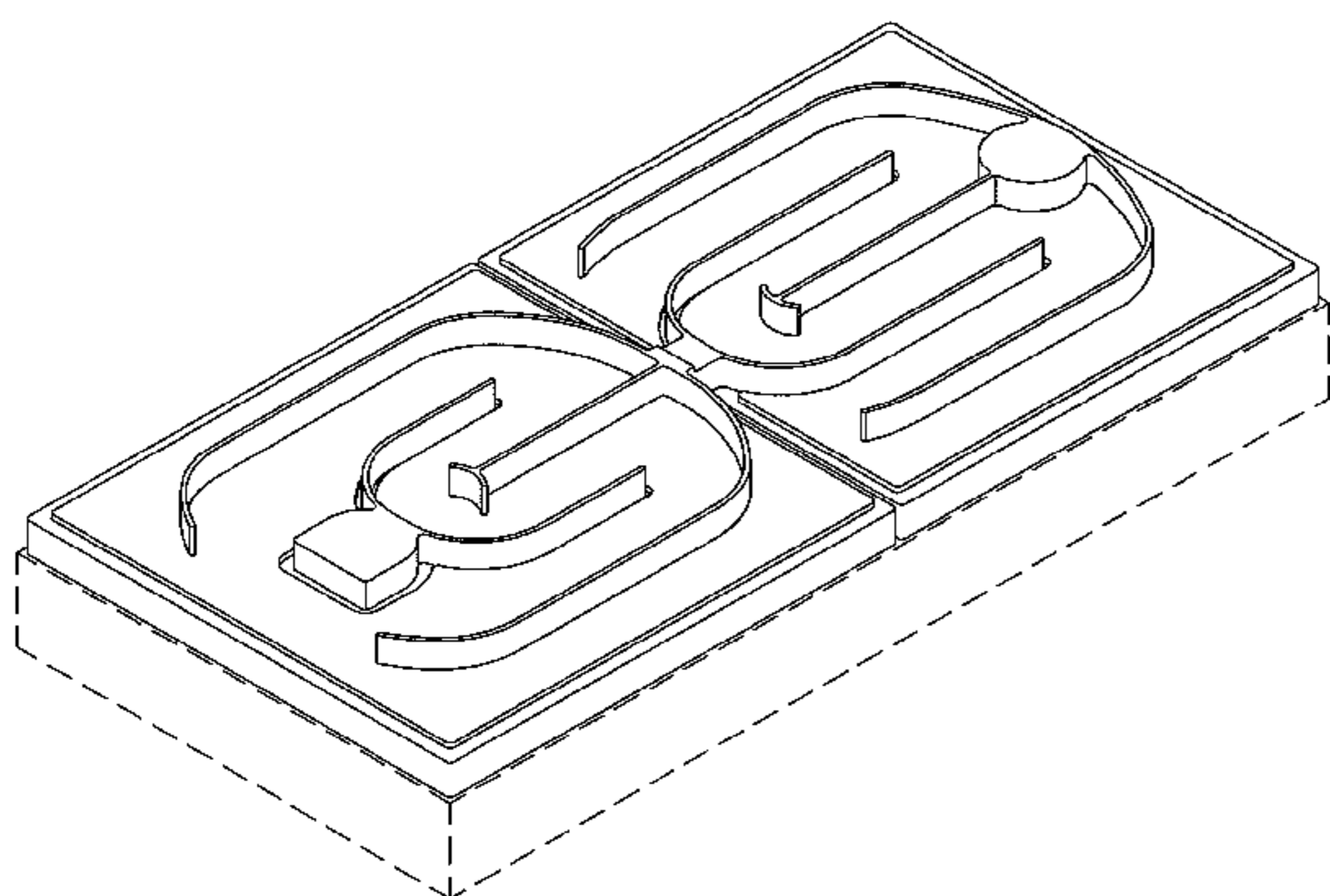
The ornamental design for a light-emitting diode array, as shown and described.

DESCRIPTION

FIG. 1 is a perspective view of a light-emitting diode array showing our first example of the new design;

FIG. 2 is another perspective view thereof;
FIG. 3 is a front elevational view thereof;
FIG. 4 is a rear elevational view thereof;
FIG. 5 is a left side view thereof;
FIG. 6 is a right side view thereof;
FIG. 7 is a top plan view thereof;
FIG. 8 is a bottom plan view thereof;
FIG. 9 is a perspective view of a light-emitting diode array showing our second example of the new design;
FIG. 10 is another perspective view thereof;
FIG. 11 is a front elevational view thereof;
FIG. 12 is a rear elevational view thereof;
FIG. 13 is a left side view thereof;
FIG. 14 is a right side view thereof;
FIG. 15 is a top plan view thereof;
FIG. 16 is a bottom plan view thereof;
FIG. 17 is a perspective view of a light-emitting diode array showing our third example of the new design;
FIG. 18 is another perspective view thereof;
FIG. 19 is a front elevational view thereof;
FIG. 20 is a rear elevational view thereof;
FIG. 21 is a left side view thereof;
FIG. 22 is a right side view thereof;
FIG. 23 is a top plan view thereof;
FIG. 24 is a bottom plan view thereof;
FIG. 25 is a perspective view of a light-emitting diode array showing our fourth example of the new design;
FIG. 26 is another perspective view thereof;
FIG. 27 is a front elevational view thereof;
FIG. 28 is a rear elevational view thereof;
FIG. 29 is a left side view thereof;
FIG. 30 is a right side view thereof;
FIG. 31 is a top plan view thereof; and,
FIG. 32 is a bottom plan view thereof.
The broken line showing is for the purpose of illustrating environmental structure only and forms no part of the claimed design.

1 Claim, 24 Drawing Sheets



(58) **Field of Classification Search**
 CPC H01L 25/167; H01L 25/0753; H01L 27/15;
 H01L 27/156; H01L 31/02; H01L 33/00;
 H01L 33/04; H01L 33/08; H01L 33/10;
 H01L 33/20; H01L 33/38; H01L 33/42;
 H01L 33/48; H01L 33/62; H01L 33/483;
 H01L 33/486; F21K 9/00; F21K
 9/30; F21K 9/54
 See application file for complete search history.

(56) **References Cited**
 U.S. PATENT DOCUMENTS

D619,976 S * 7/2010 Liu D13/180
 D627,747 S * 11/2010 Chu D13/180
 D638,377 S * 5/2011 Yan D13/180
 7,947,996 B2 * 5/2011 Sakamoto H01L 33/382
 257/77
 D647,493 S * 10/2011 Chang D13/180
 D647,494 S * 10/2011 Chang D13/180
 D647,495 S * 10/2011 Chang D13/180
 D648,287 S * 11/2011 Hsu D13/180
 8,084,283 B2 * 12/2011 Shi H01L 33/483
 257/79
 8,120,057 B2 * 2/2012 Sano H01L 33/42
 257/99
 8,188,504 B2 * 5/2012 Lee H01L 27/15
 257/103

8,188,505 B2 * 5/2012 Shen H01L 33/20
 257/98
 8,293,382 B2 * 10/2012 Ou H01L 33/42
 257/103
 8,344,392 B2 * 1/2013 Yeh H01L 33/38
 257/79
 8,378,373 B2 * 2/2013 Wang H01L 33/38
 257/99
 D681,564 S * 5/2013 Hsu D13/180
 D681,569 S * 5/2013 Yeh D13/180
 D681,570 S * 5/2013 Wang D13/180
 D684,127 S * 6/2013 Shen D13/180
 8,455,912 B2 * 6/2013 Tanaka H01L 33/20
 257/100
 8,461,617 B2 * 6/2013 Kadan H01L 33/382
 257/81
 D688,819 S * 8/2013 Shen D13/180
 D689,449 S * 9/2013 Kimura D13/180
 D695,699 S * 12/2013 Shih D13/180
 D716,238 S * 10/2014 Yeh D13/180
 9,029,899 B2 * 5/2015 Kim H01L 33/20
 257/99
 2007/0085089 A1 * 4/2007 Hsu H01L 33/382
 257/81
 2012/0074438 A1 * 3/2012 Hwang H01L 33/0095
 257/88
 2012/0241808 A1 * 9/2012 Akiyama H01L 33/38
 257/99
 2013/0234192 A1 * 9/2013 Kim H01L 33/0008
 257/98

* cited by examiner

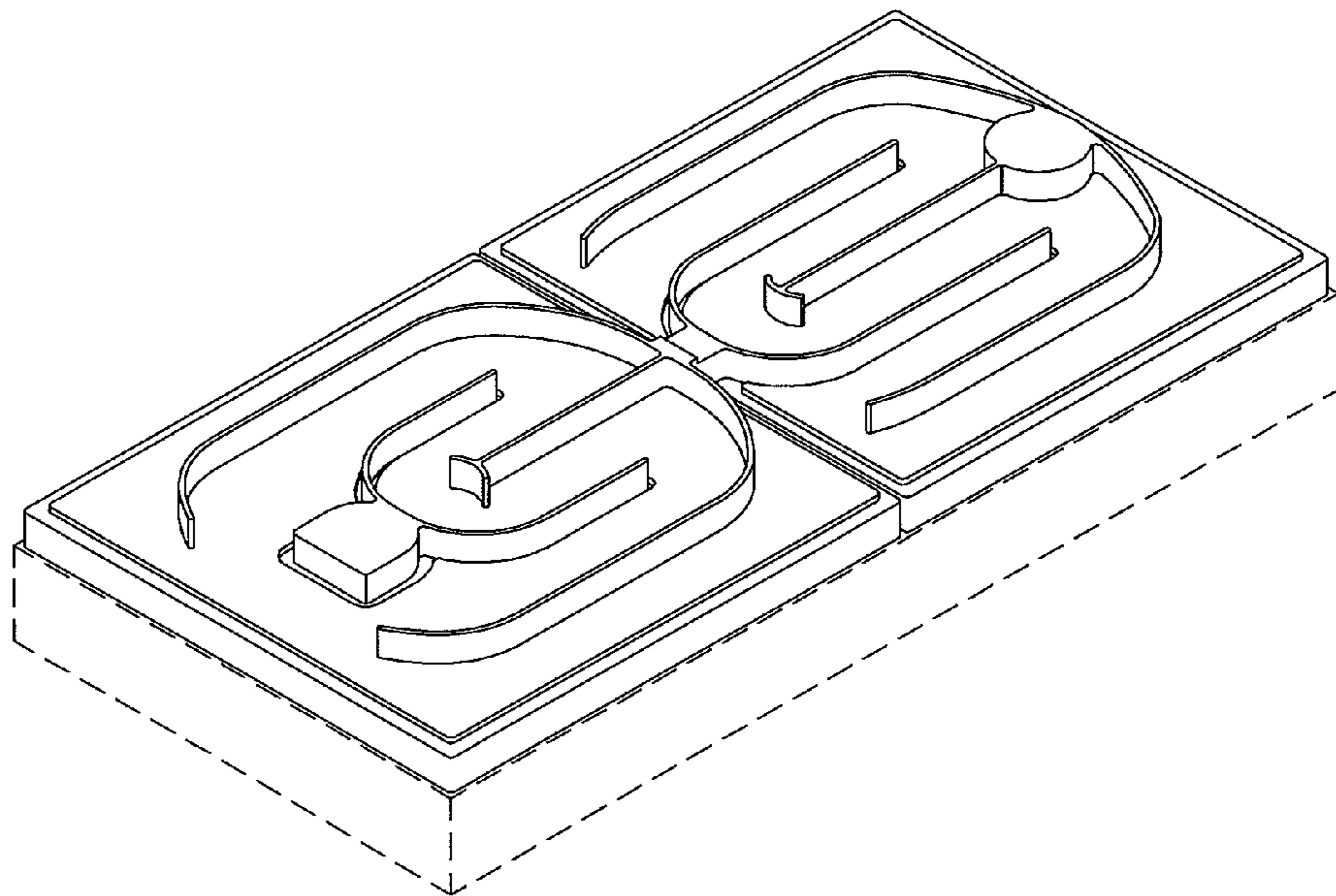


FIG. 1

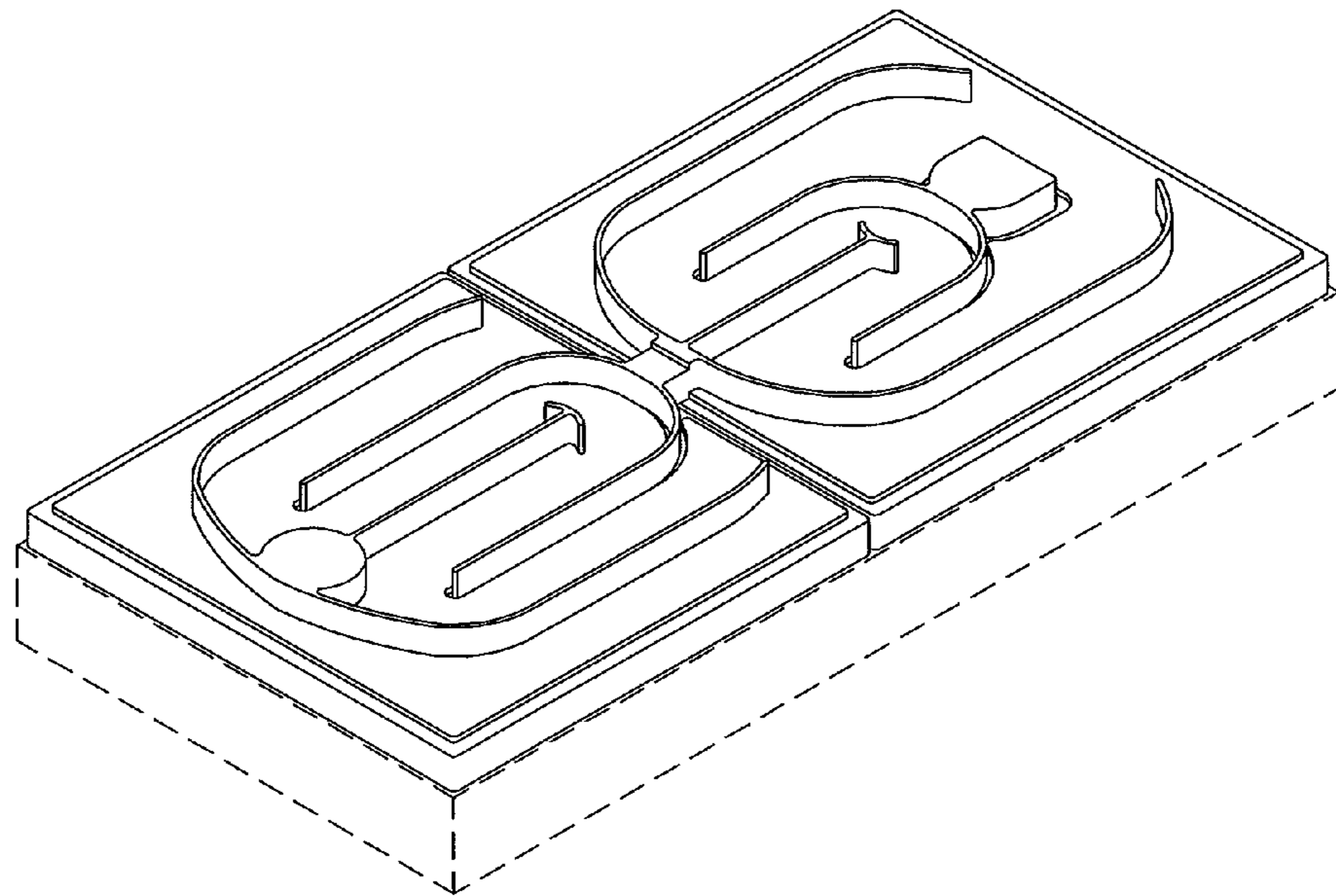


FIG. 2

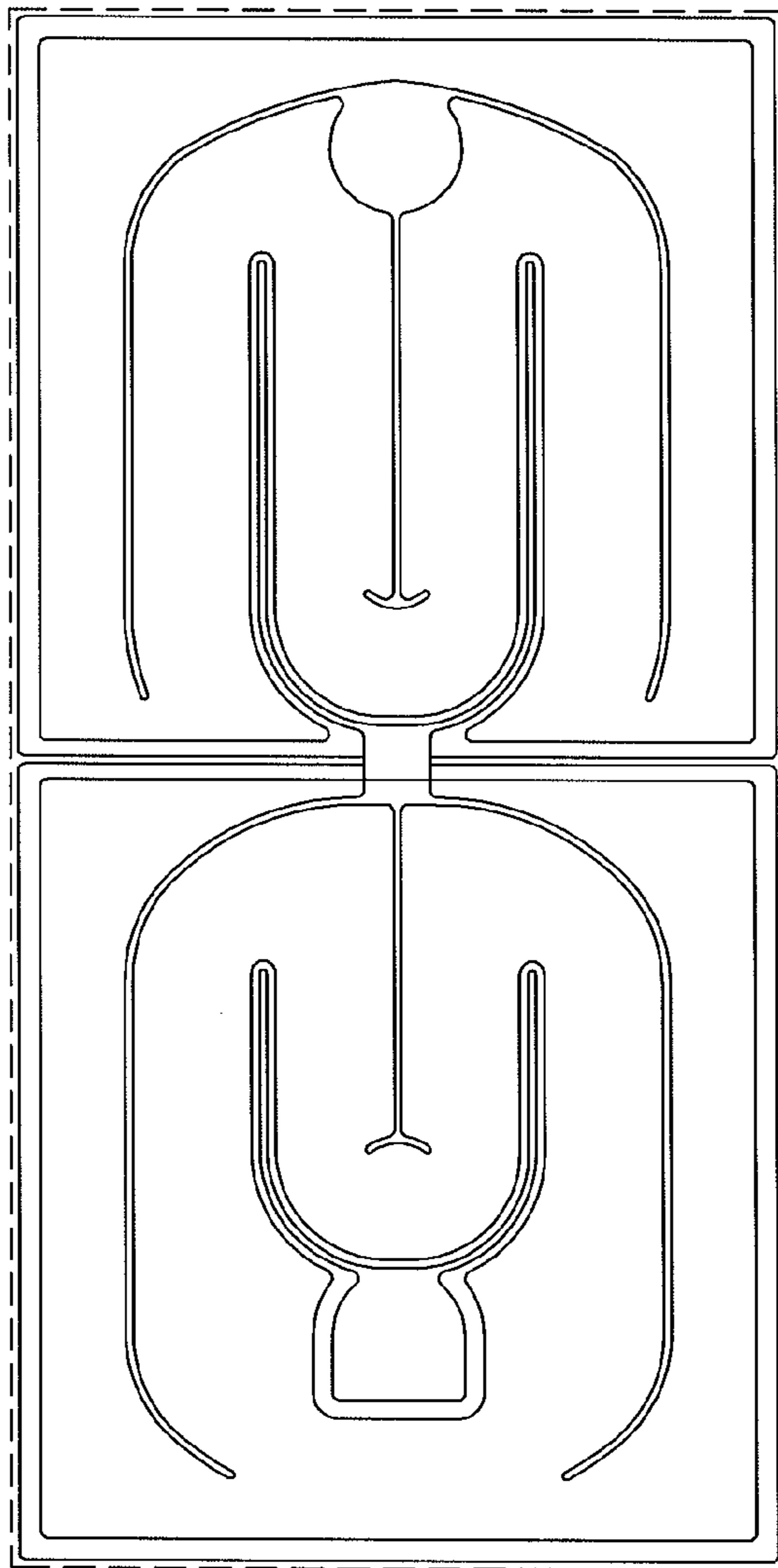


FIG. 3

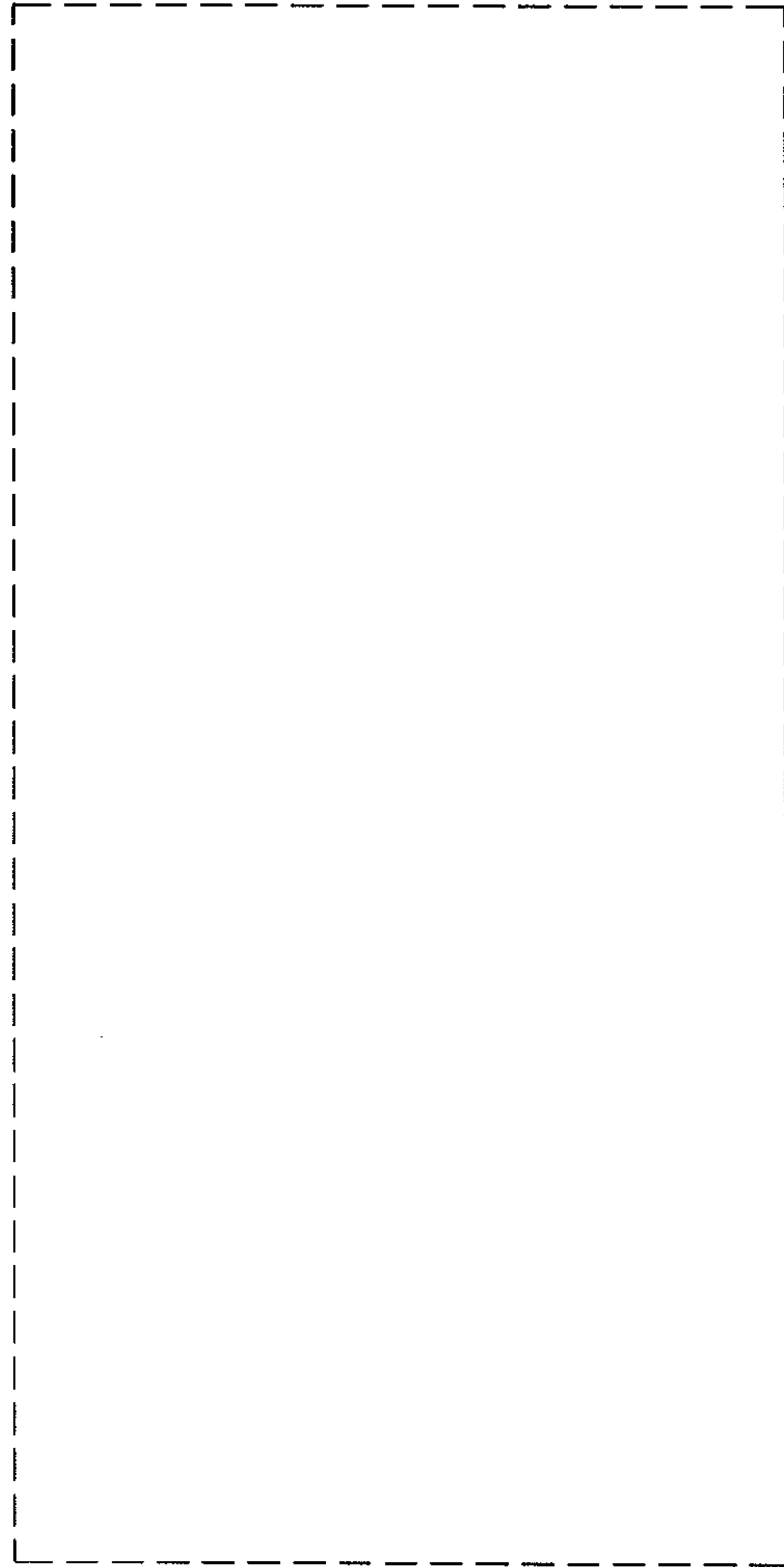


FIG. 4

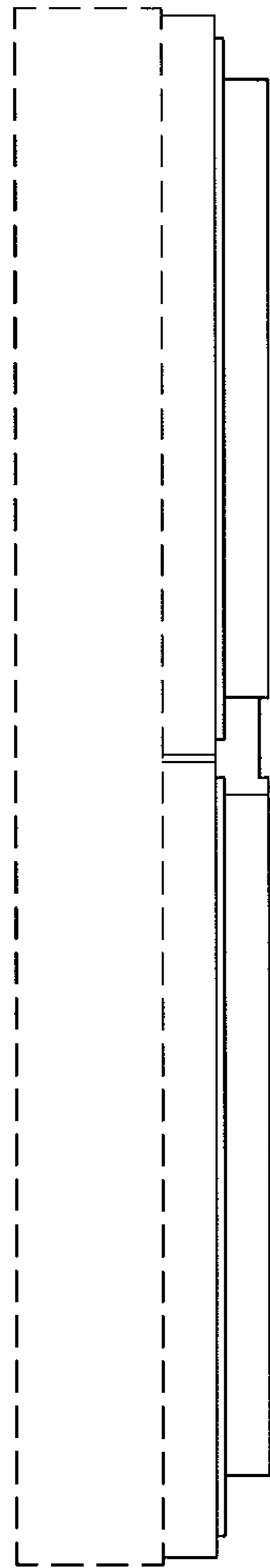


FIG. 5

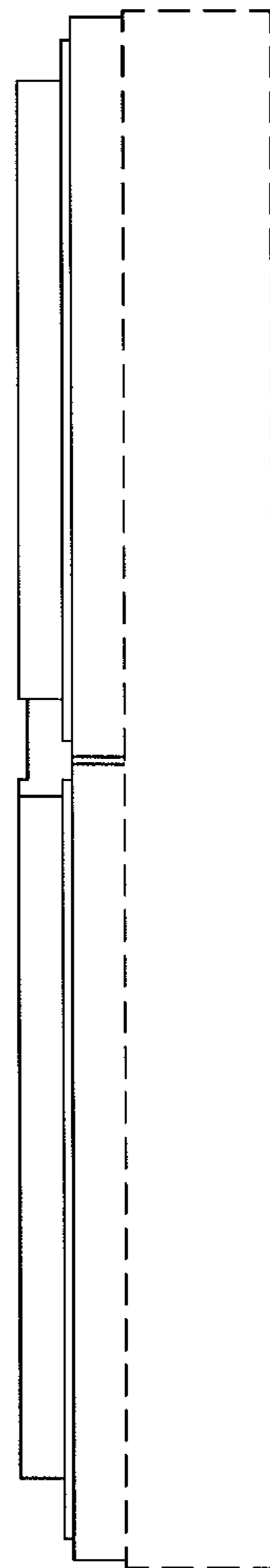


FIG. 6

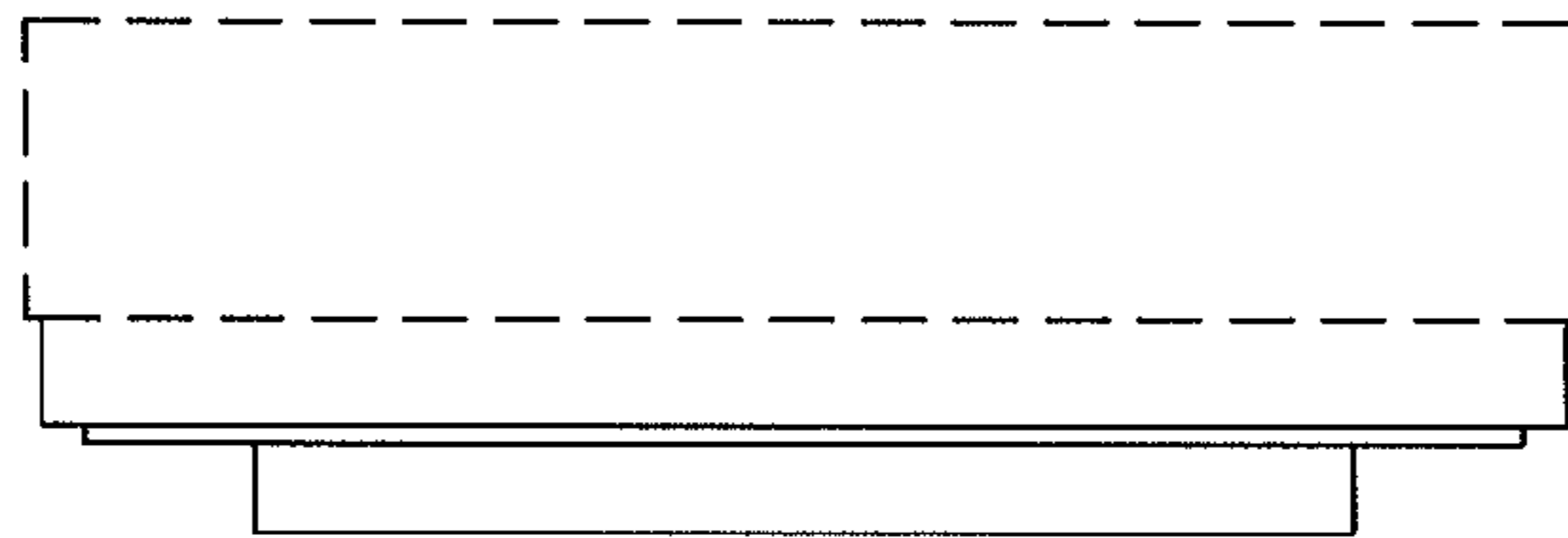


FIG. 7

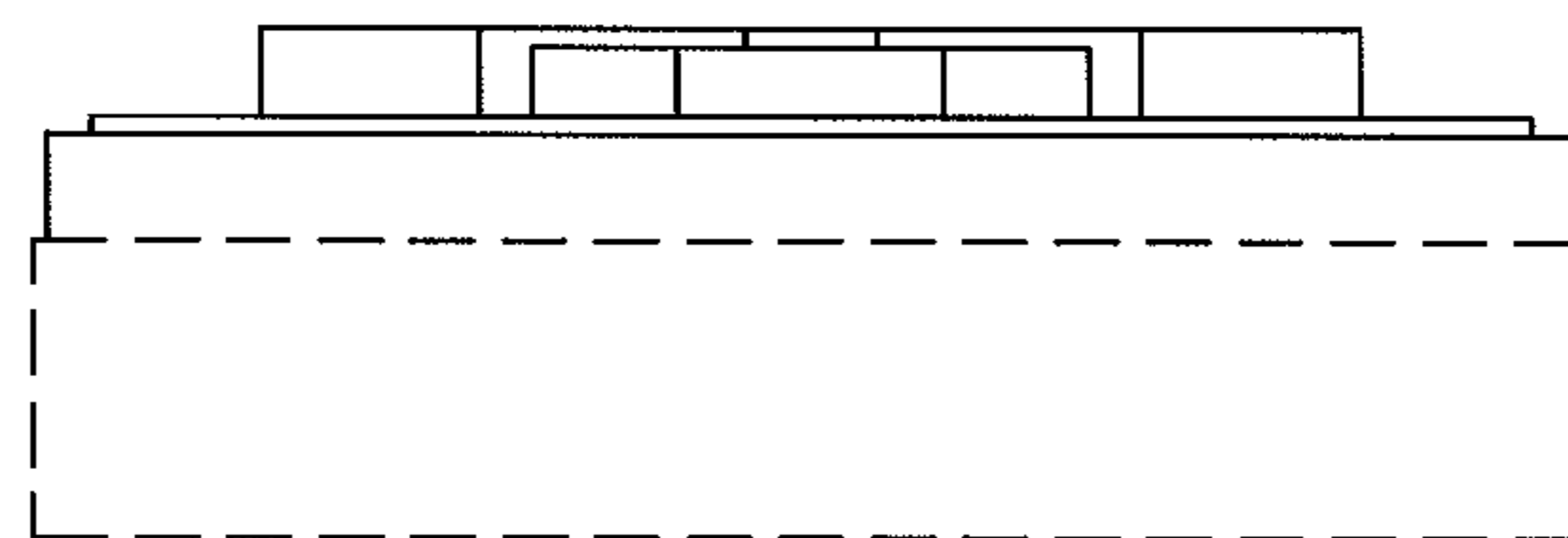


FIG. 8

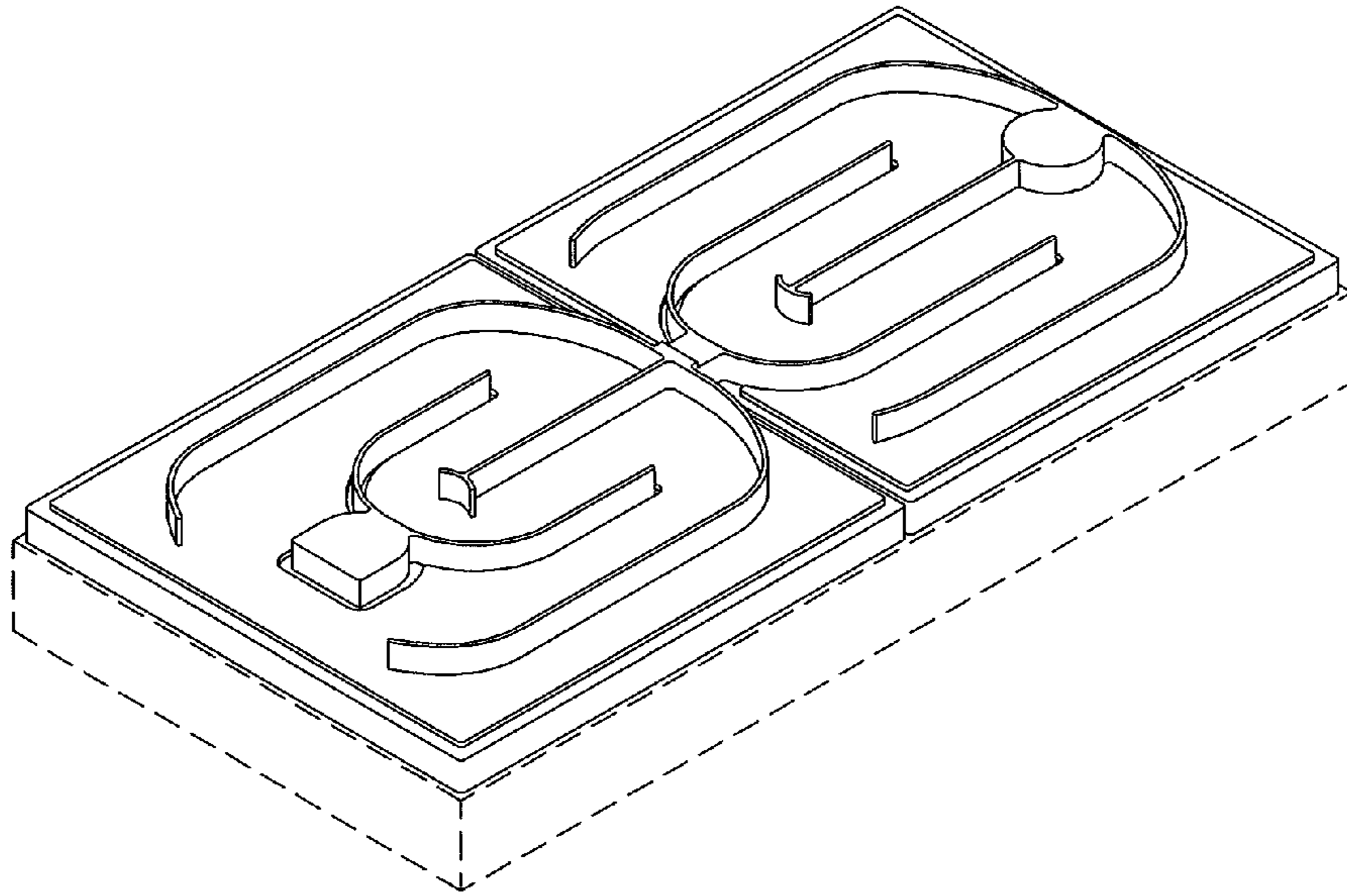


FIG. 9

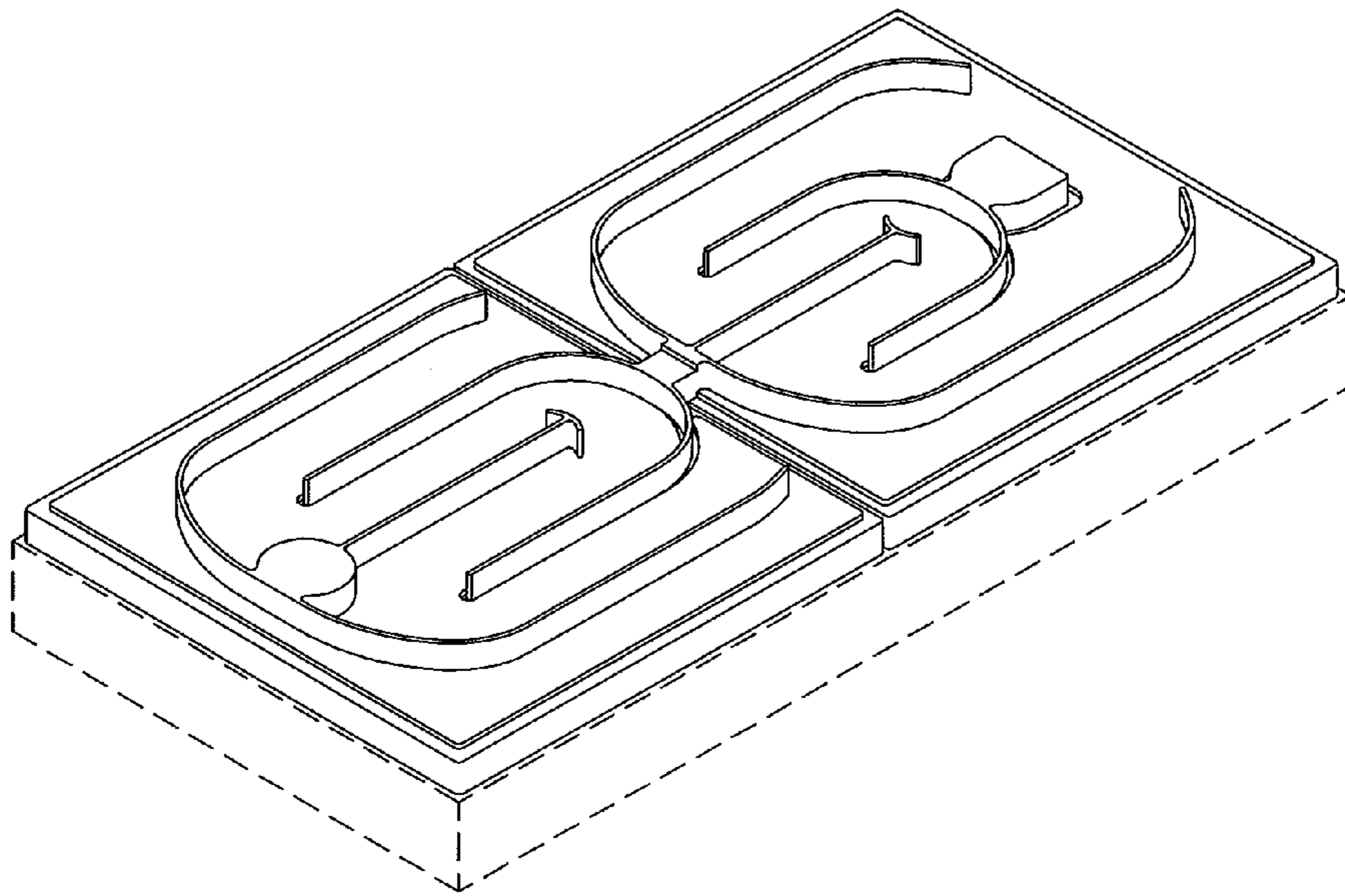


FIG. 10

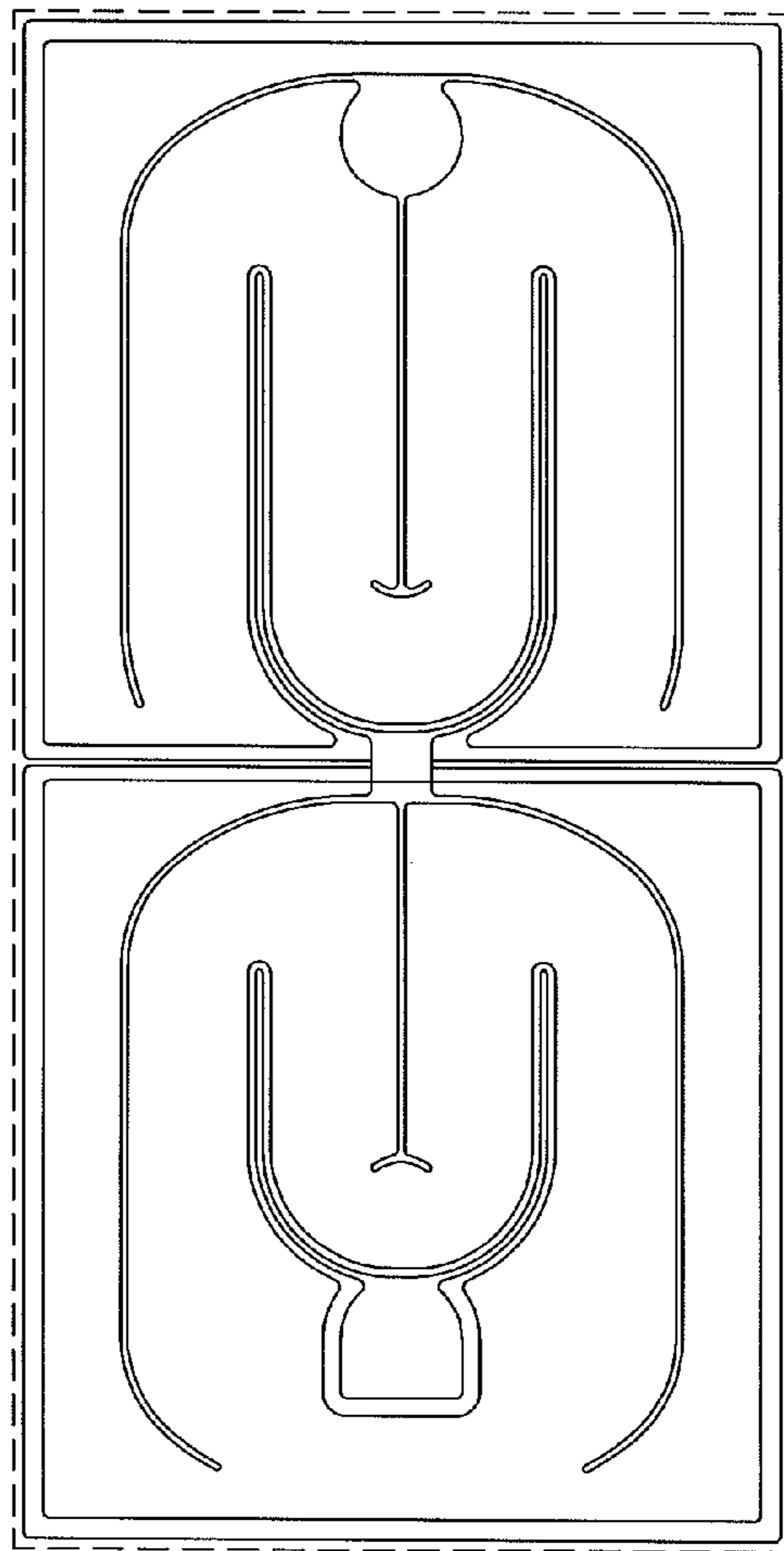


FIG. 11

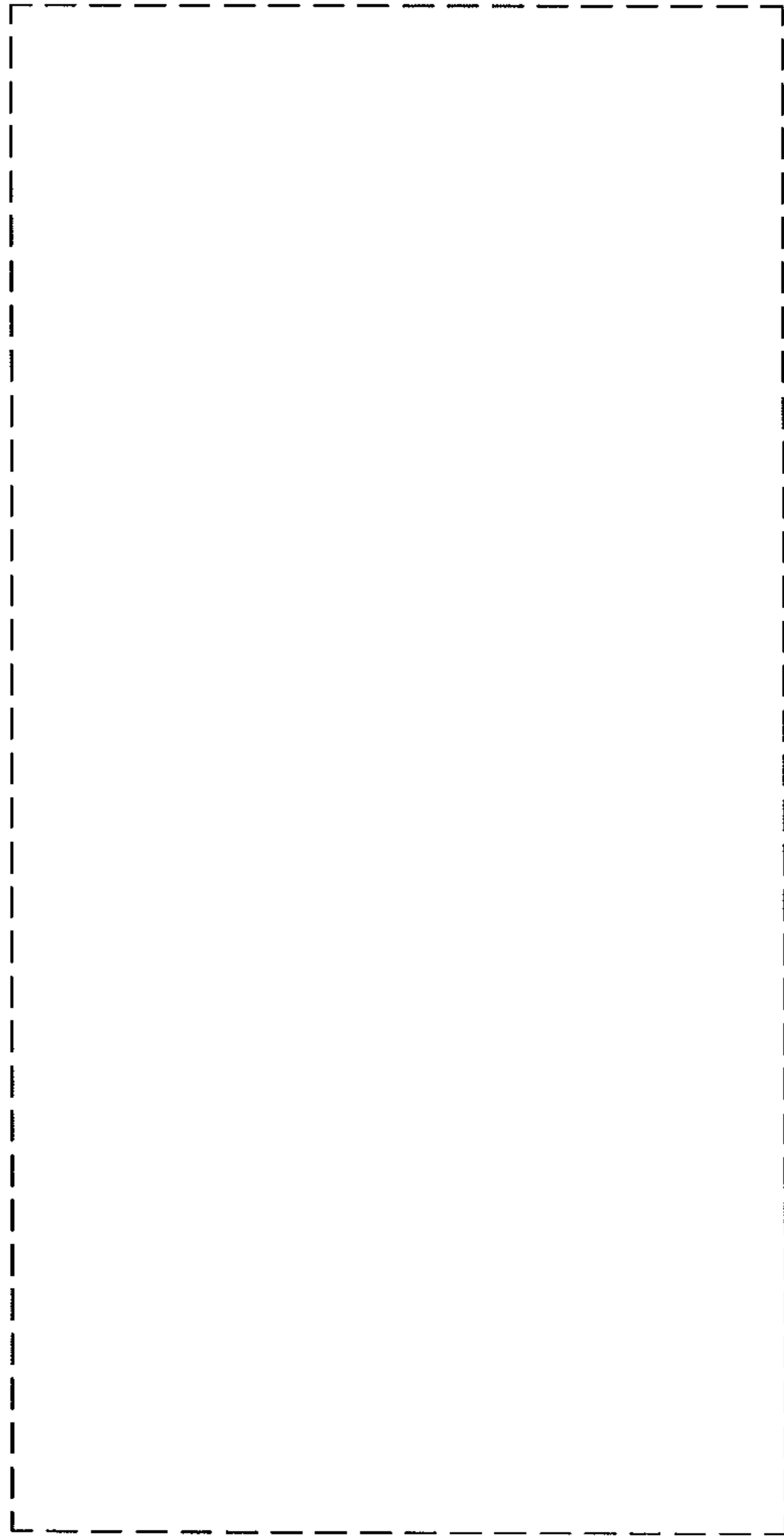


FIG. 12

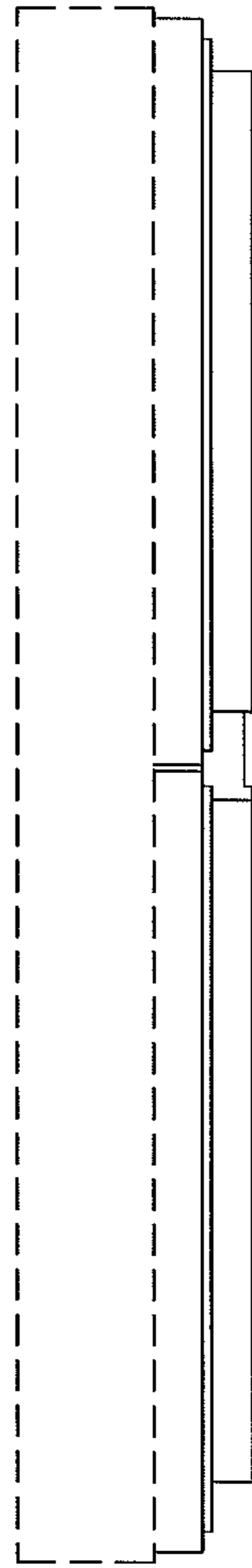


FIG. 13

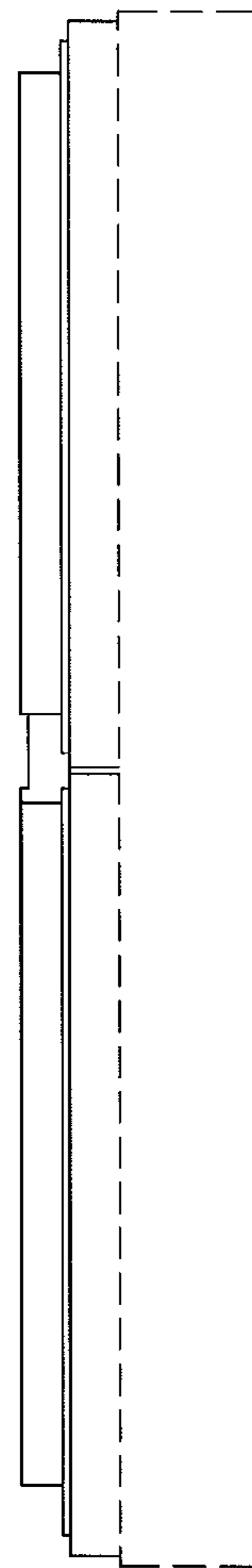


FIG. 14

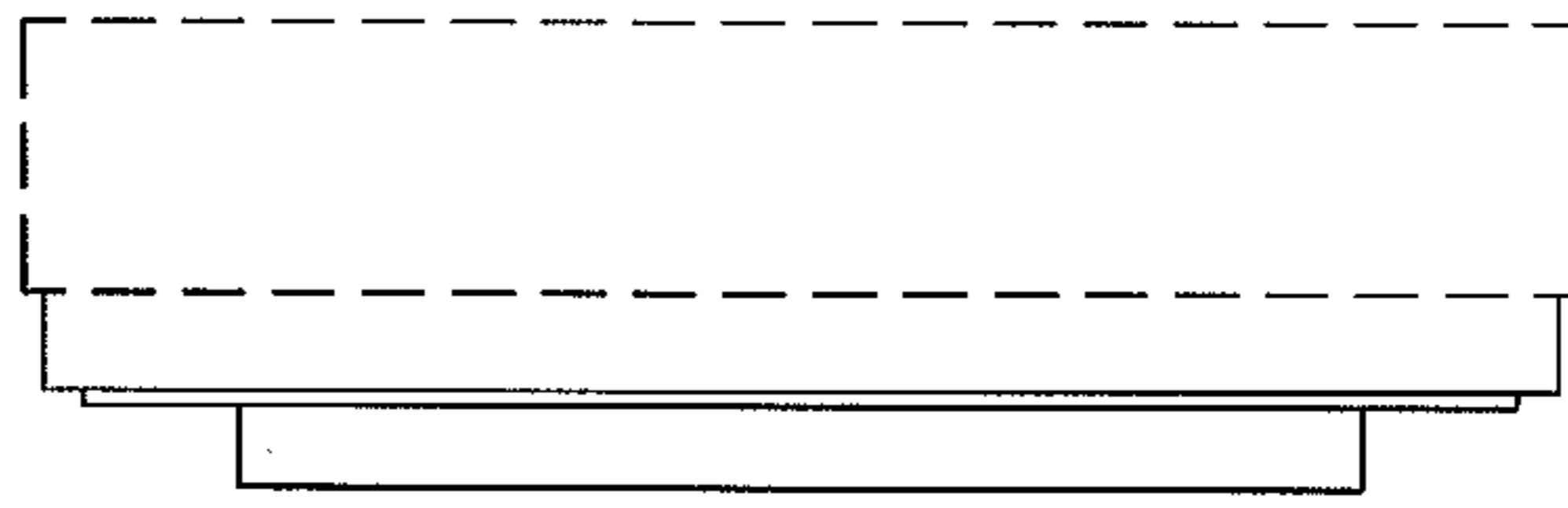


FIG. 15

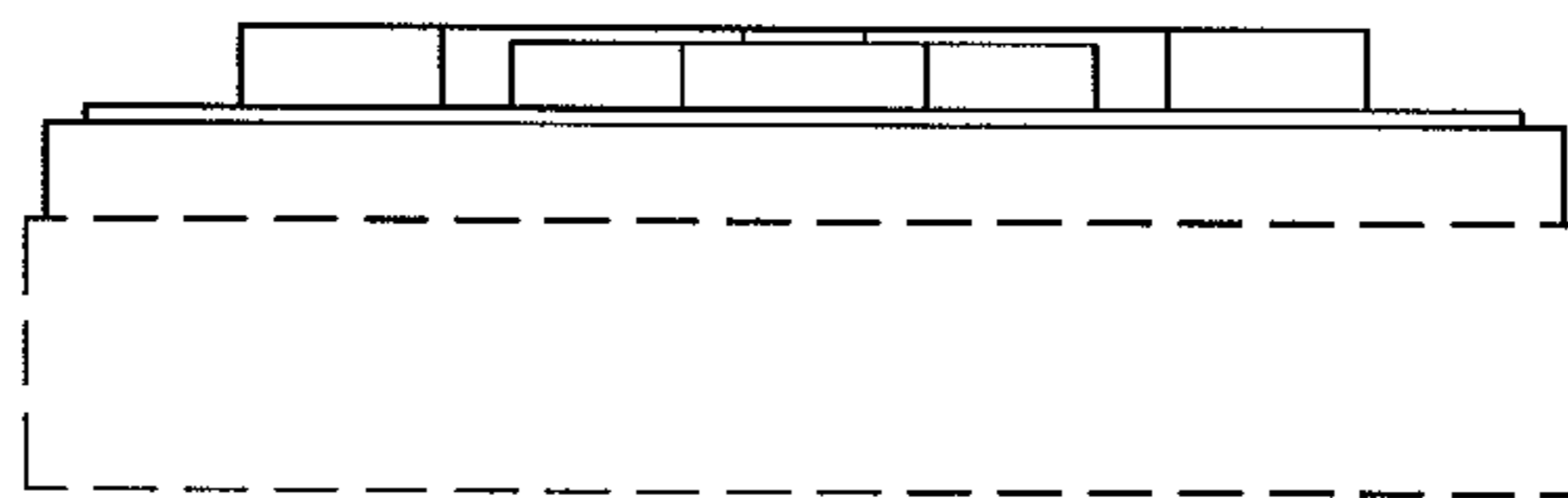


FIG. 16

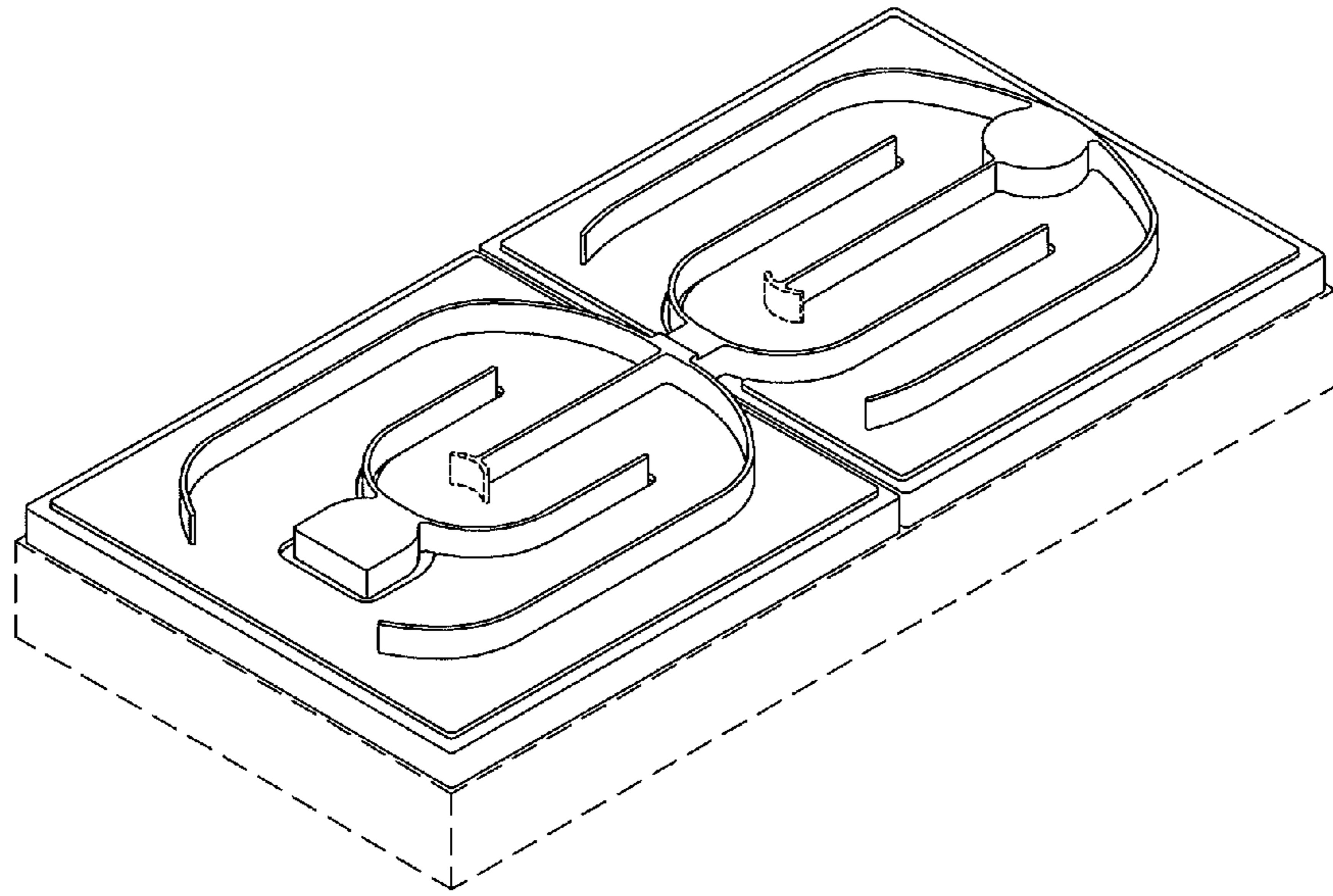


FIG. 17

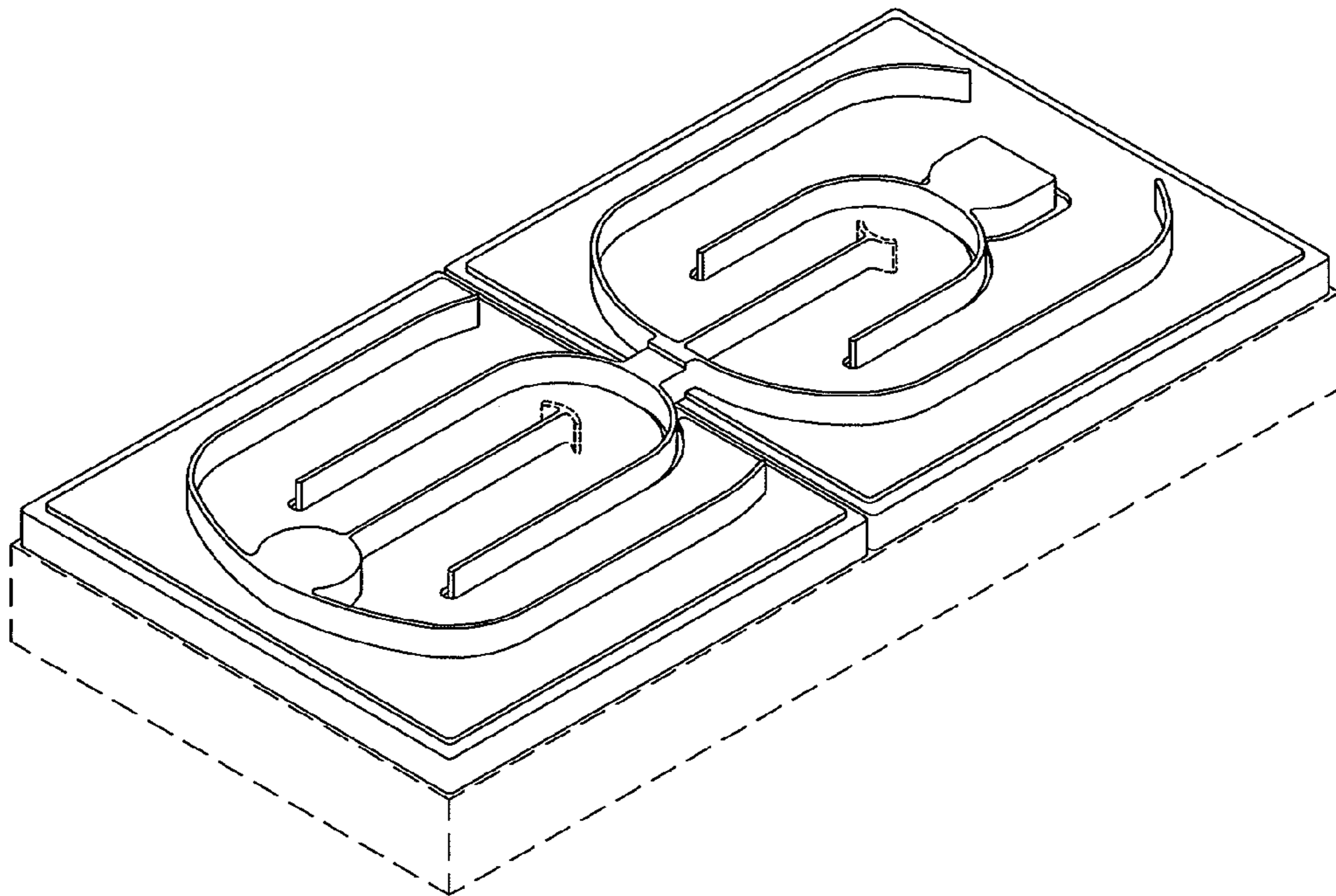


FIG. 18

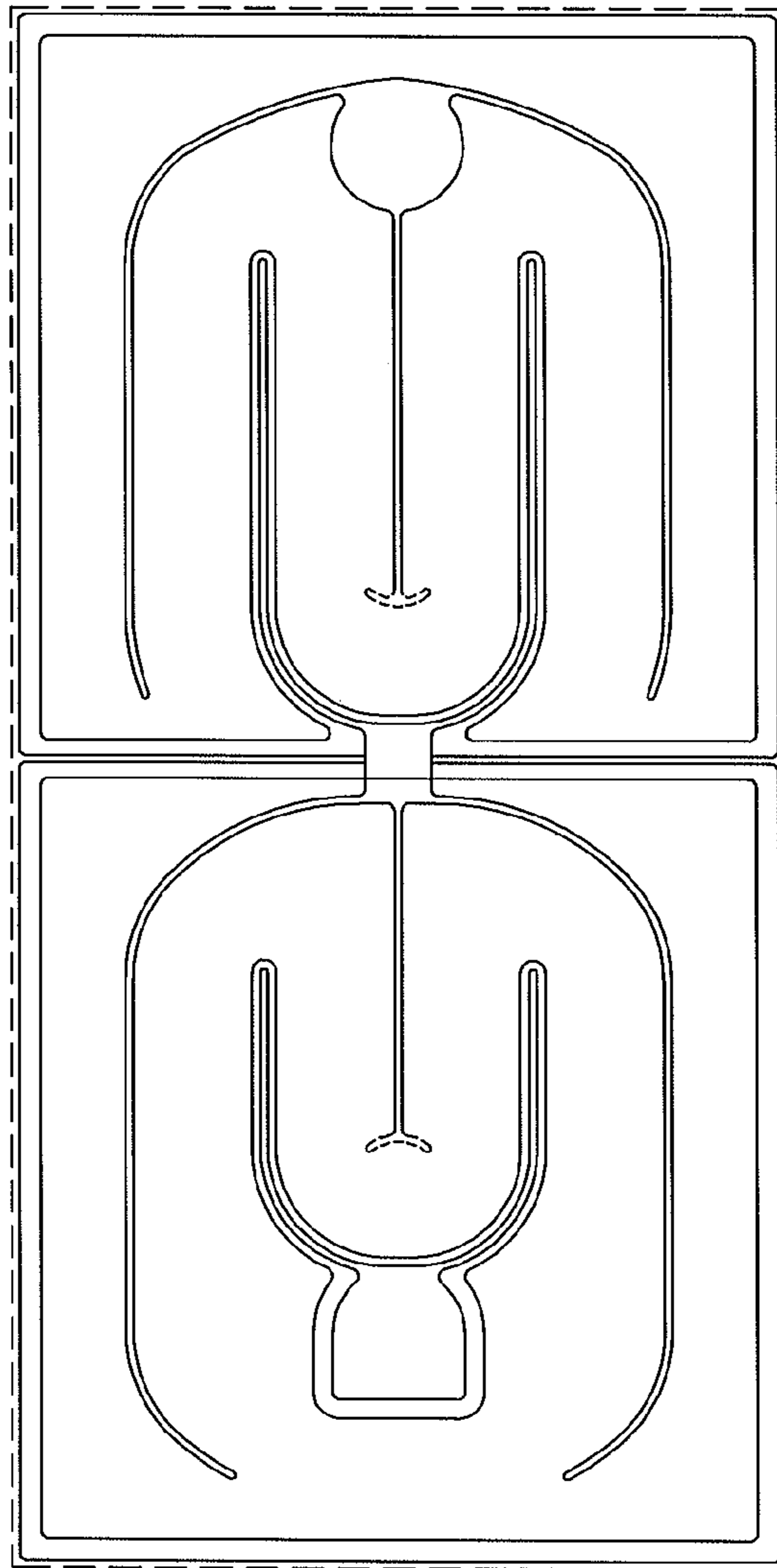


FIG. 19

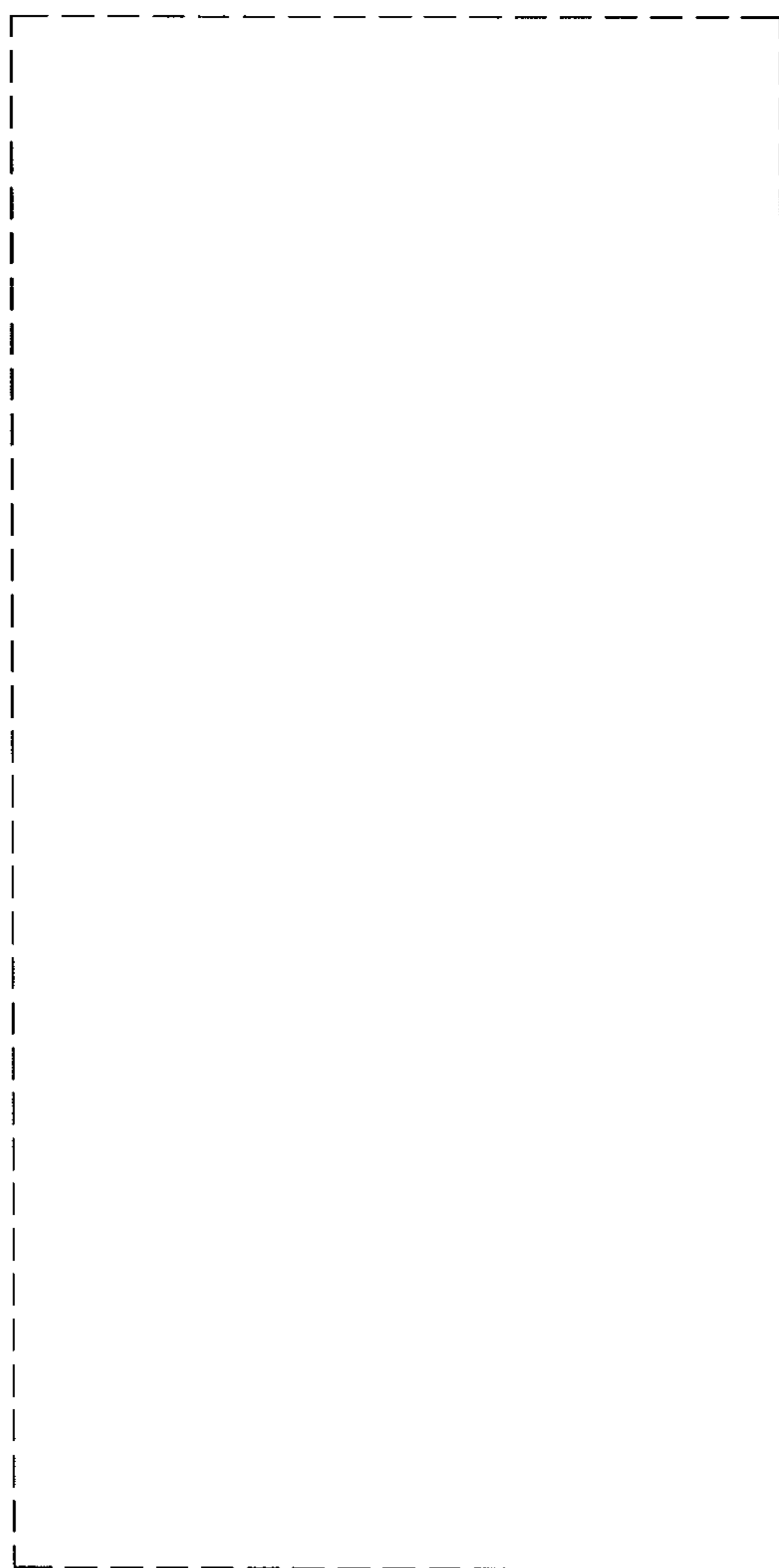


FIG. 20

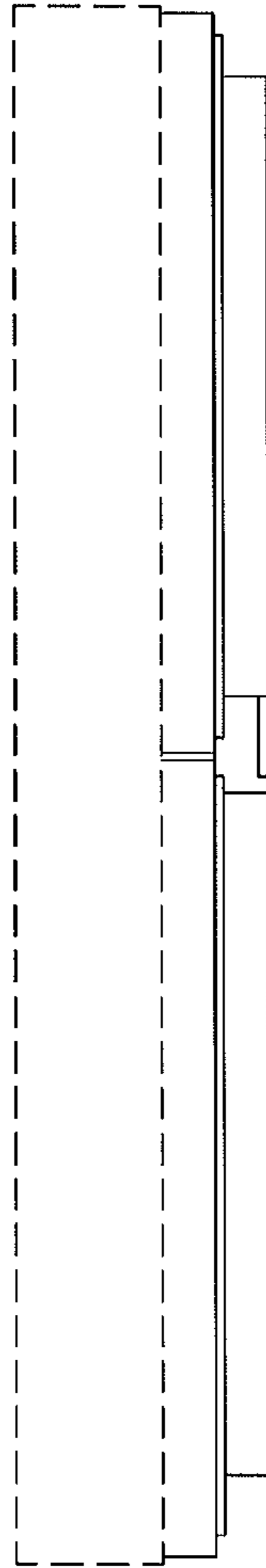


FIG. 21

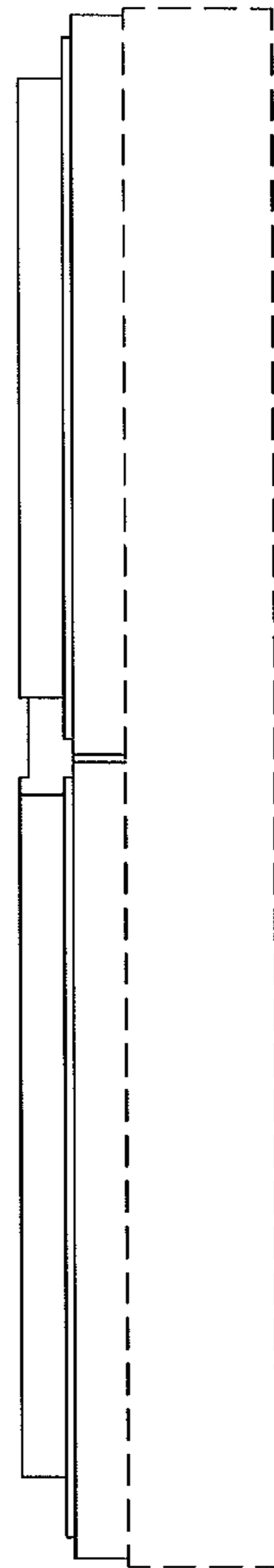


FIG. 22

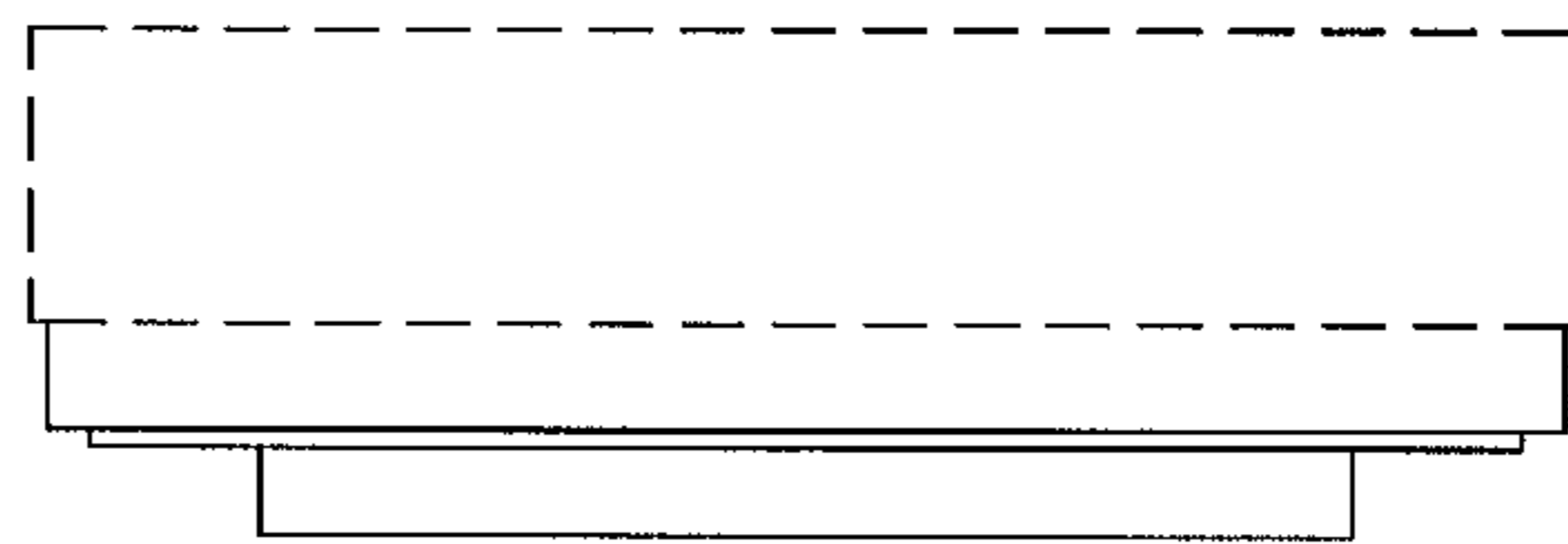


FIG. 23

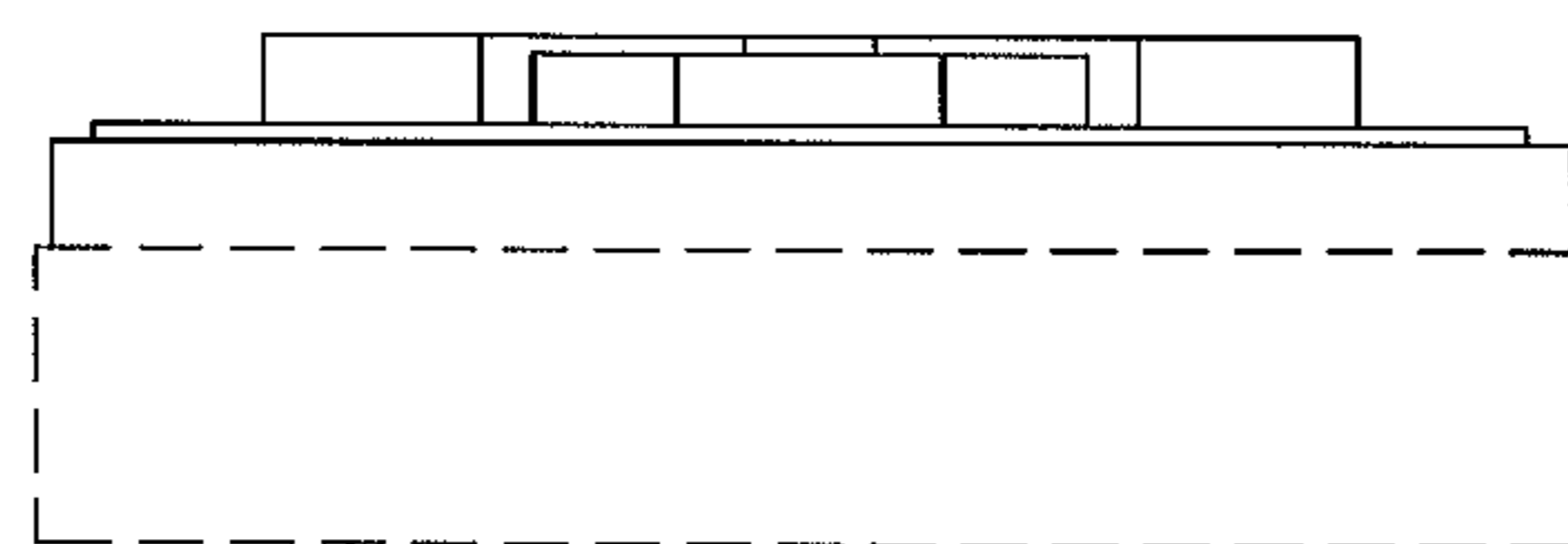


FIG. 24

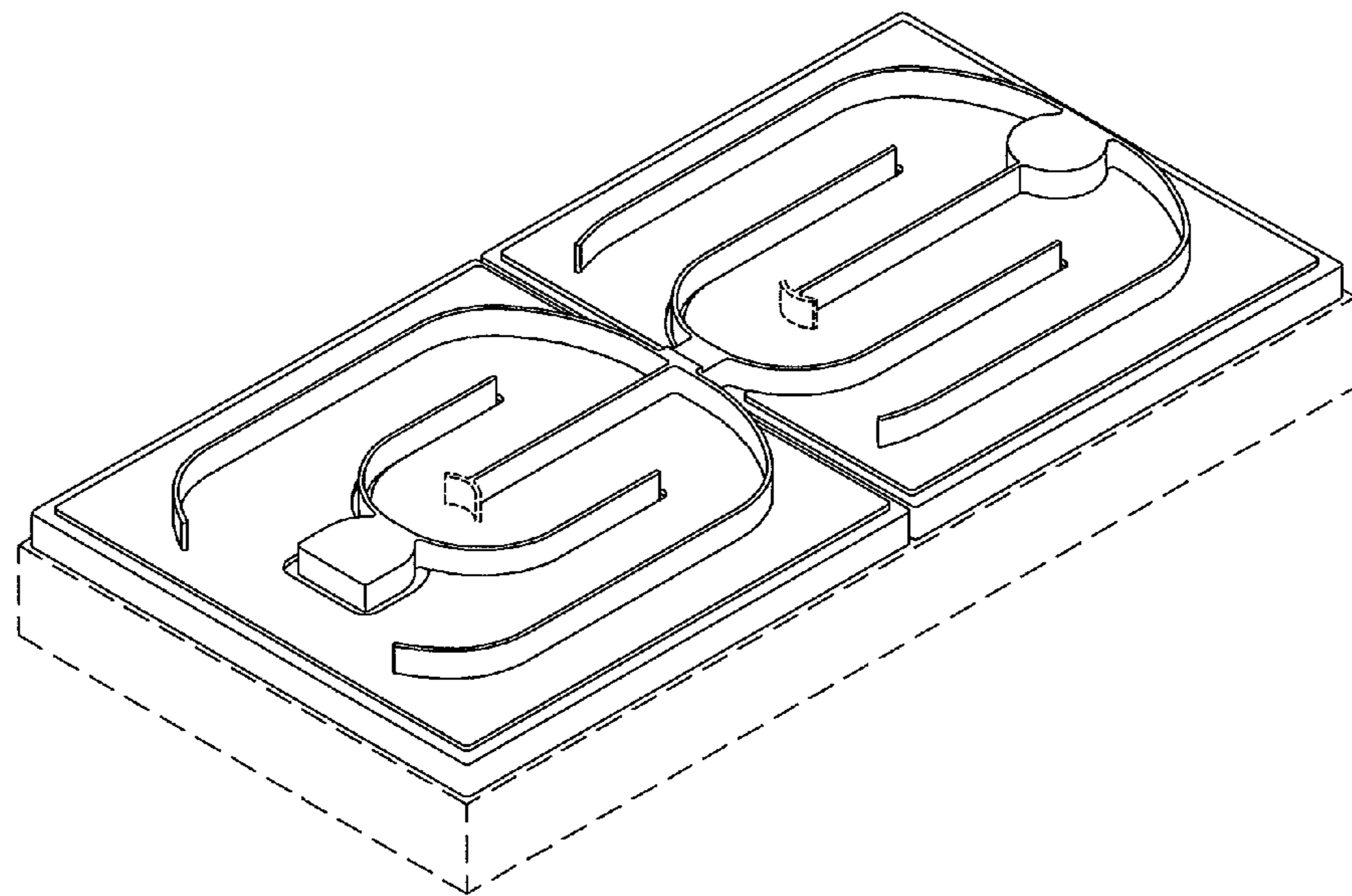


FIG. 25

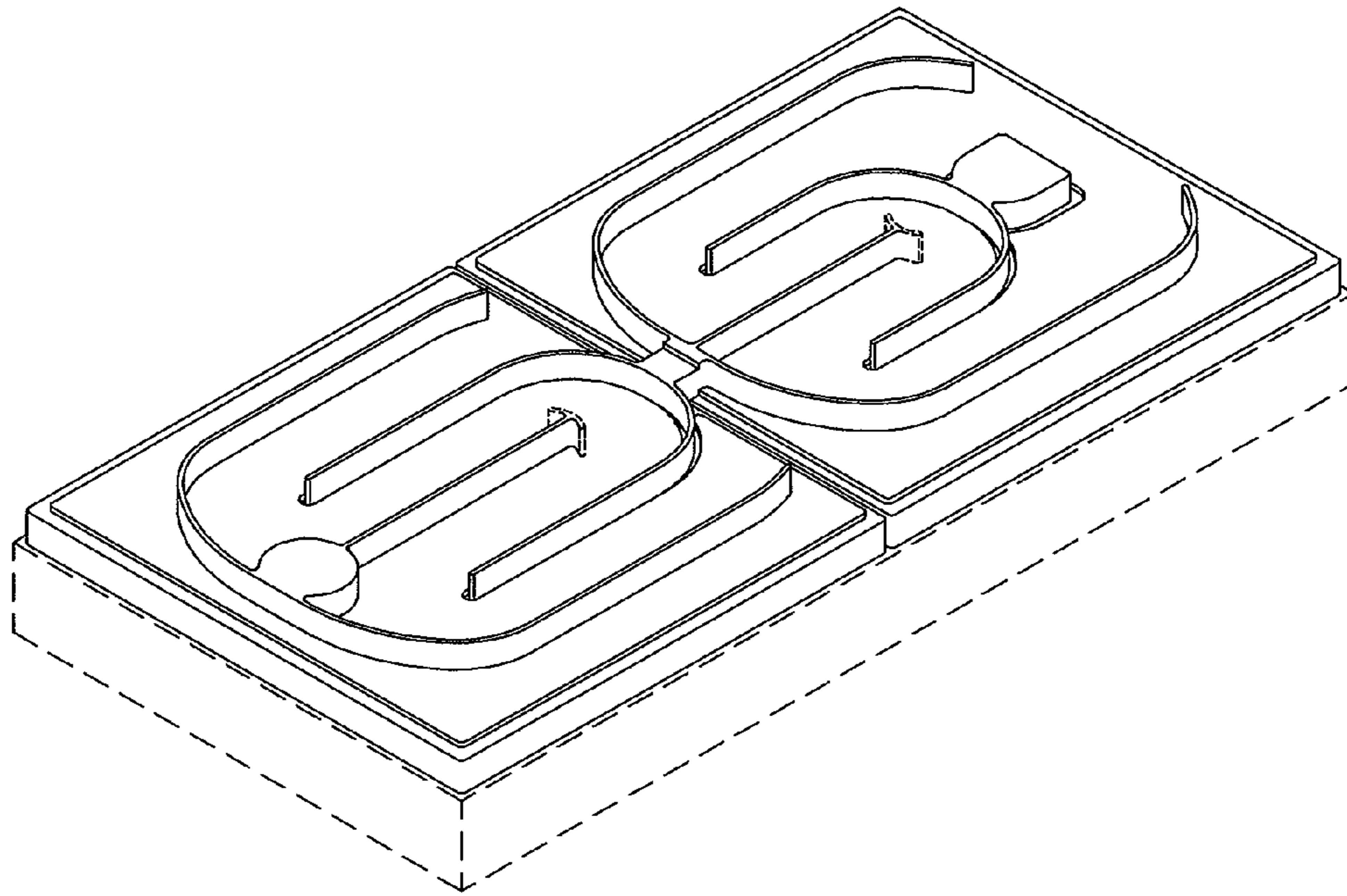


FIG. 26

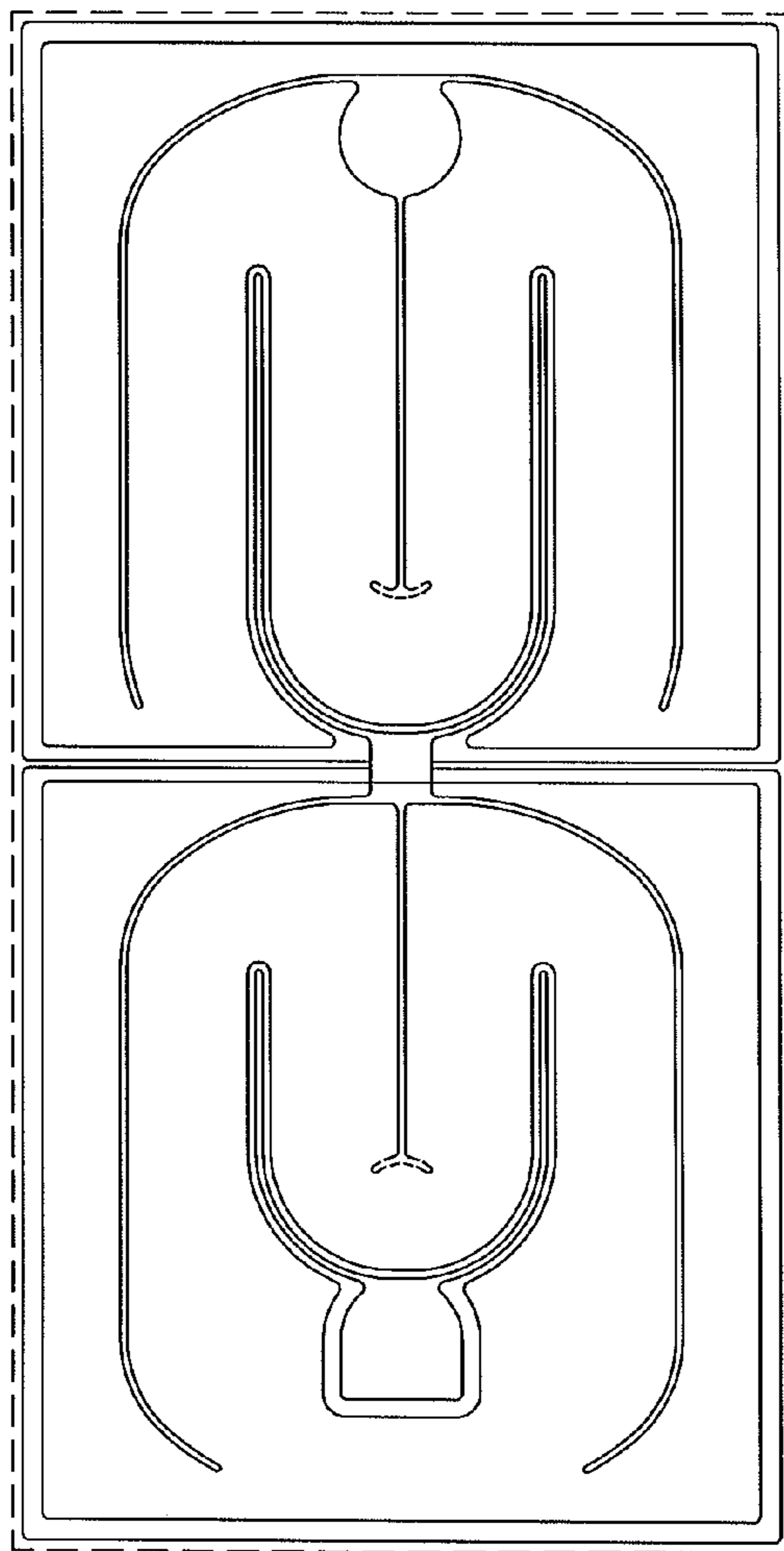


FIG. 27

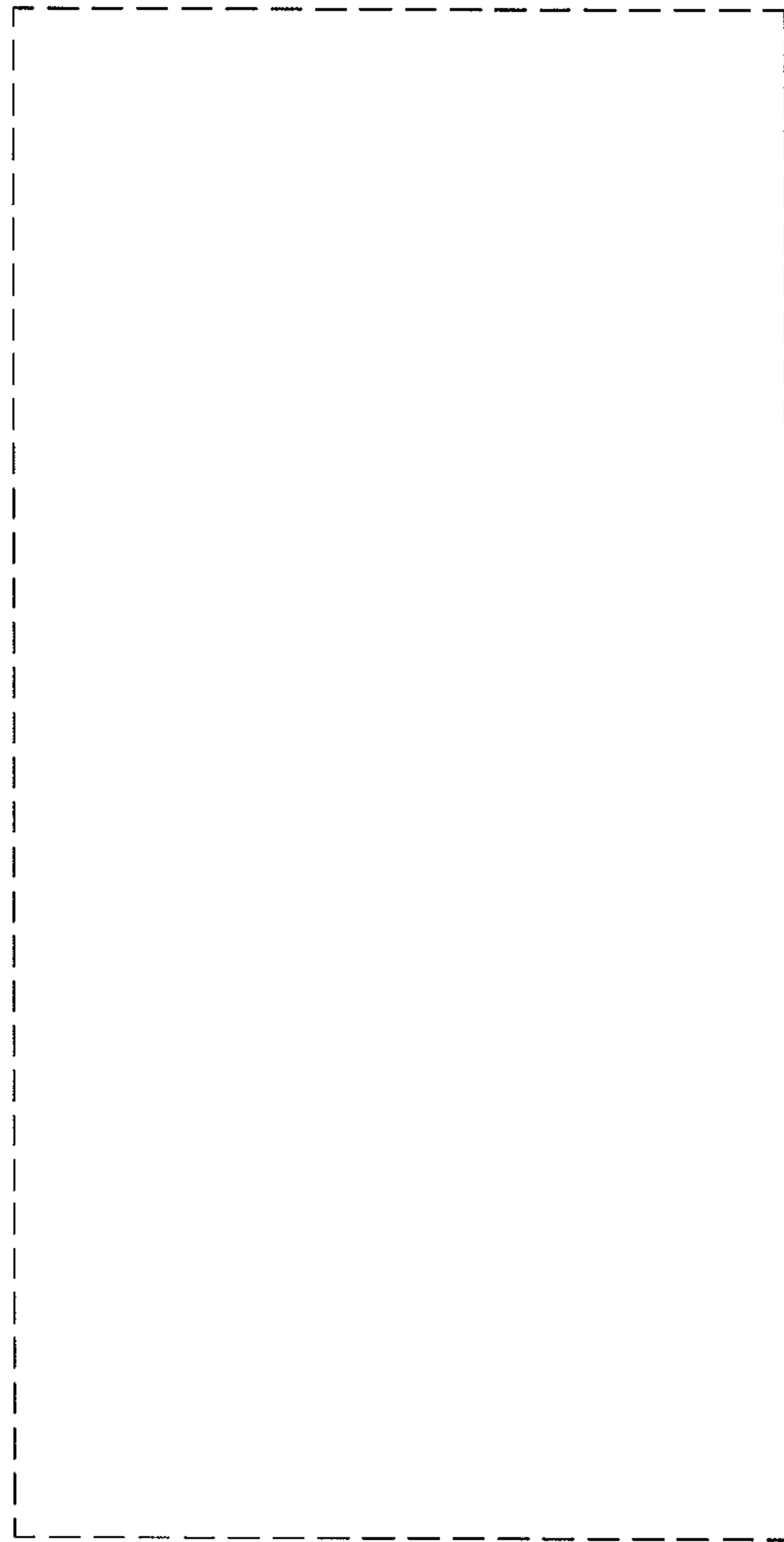


FIG. 28

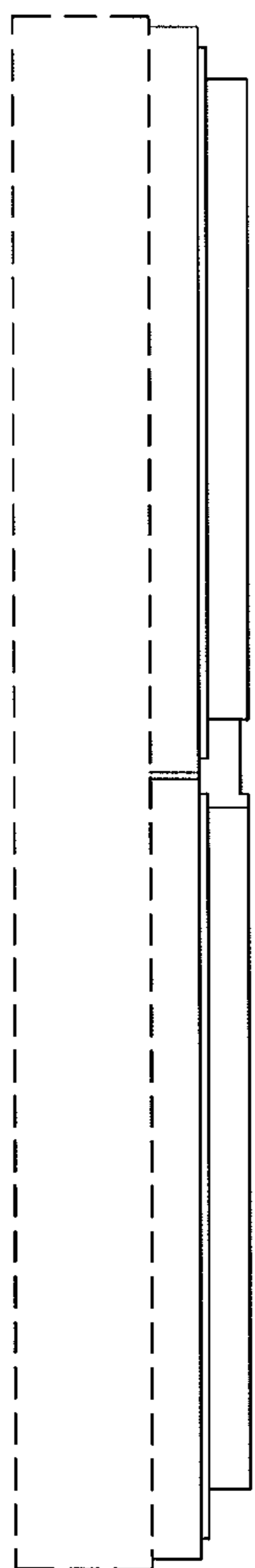


FIG. 29

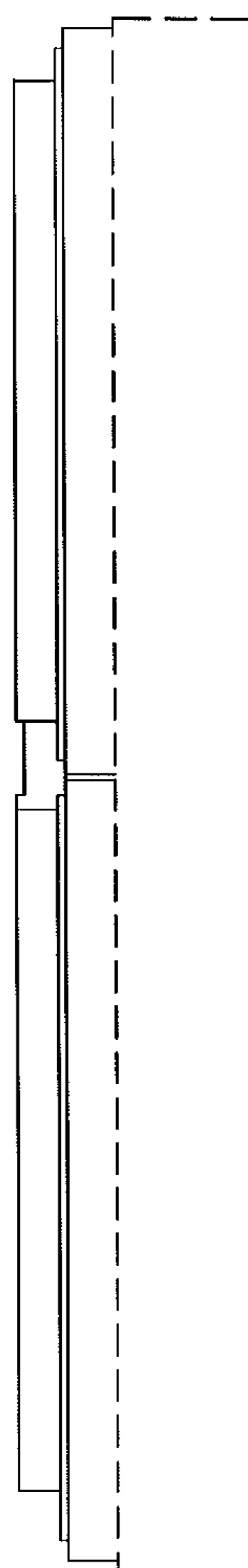


FIG. 30

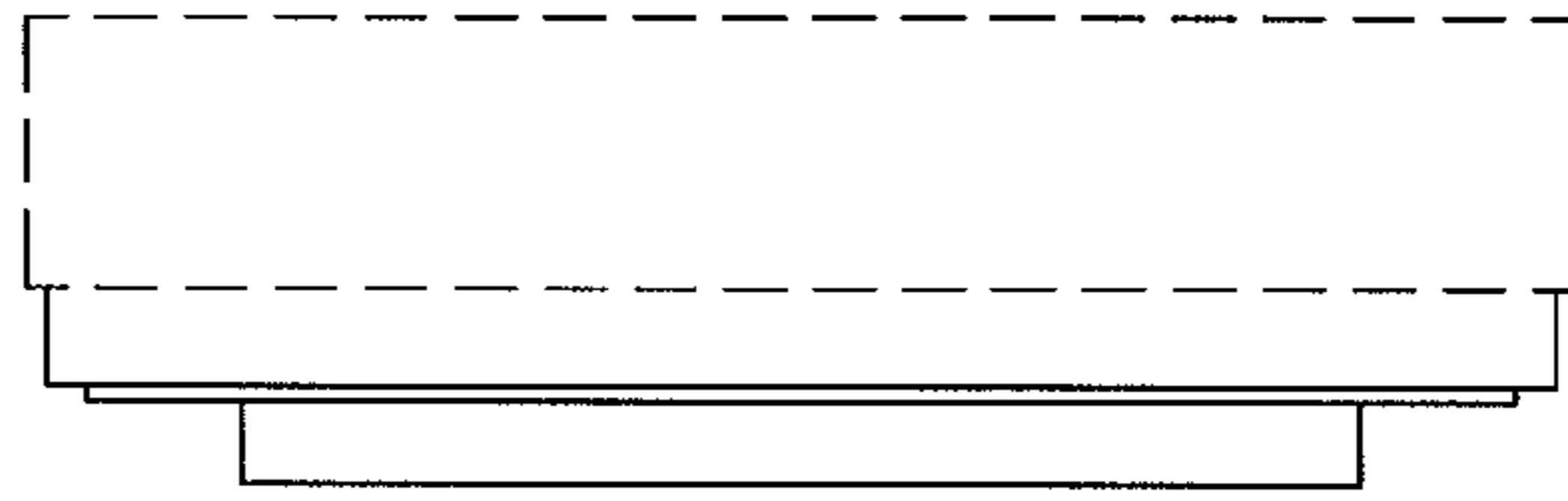


FIG. 31

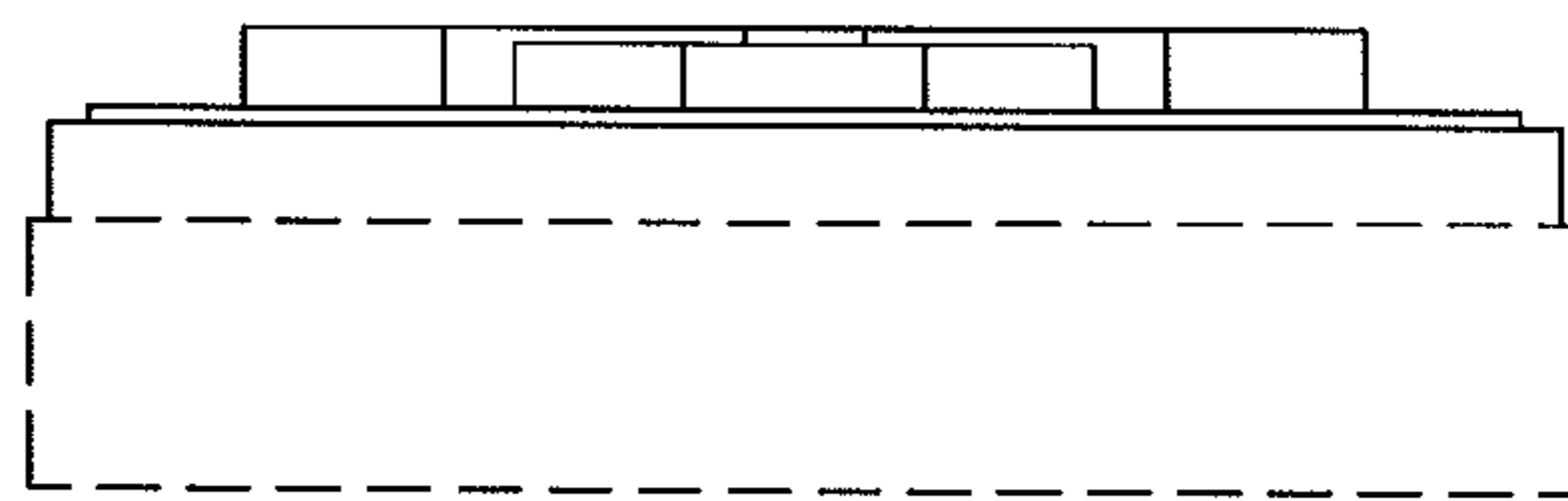


FIG. 32