



US00D773409S

(12) **United States Design Patent** (10) **Patent No.:** **US D773,409 S**
Rodarte et al. (45) **Date of Patent:** **** Dec. 6, 2016**

(54) **MULTI-CHAMBER HEAT SINK MODULE**

(71) Applicant: **EBULLIENT, LLC**, Madison, WI (US)

(72) Inventors: **Mark A. Rodarte**, Madison, WI (US);
Brett A. Lindeman, Madison, WI (US)

(**) Term: **15 Years**

(21) Appl. No.: **29/539,705**

(22) Filed: **Sep. 16, 2015**

(51) **LOC (10) Cl.** **13-03**

(52) **U.S. Cl.**
USPC **D13/179**

(58) **Field of Classification Search**

USPC D13/179, 182; D15/199
CPC . H01L 23/473; H01L 23/4735; H01L 23/46;
H01L 23/467; H01L 23/4006; H01L 23/427;
F28D 15/00; F28D 15/02; F28D 15/0275;
F28F 31/02; G06F 1/20; G06F 2200/201
See application file for complete search history.

(56) **References Cited**

U.S. PATENT DOCUMENTS

D404,720 S *	1/1999	Gayle	D13/179
D494,549 S *	8/2004	Lee	D13/179
D553,170 S *	10/2007	Remsburg	D15/199
D553,656 S *	10/2007	Reeves	D15/199
7,312,987 B1 *	12/2007	Konshak	G06F 1/20 165/80.4
D582,359 S *	12/2008	Chang	D13/179
D715,747 S *	10/2014	Imoto	D13/179
D722,576 S *	2/2015	Zimmer	D13/179
2002/0117291 A1 *	8/2002	Cheon	G06F 1/20 165/80.4
2006/0162340 A1 *	7/2006	Kuo	G06F 1/20 62/3.2
2009/0120621 A1 *	5/2009	Sheinman	H01L 23/4735 165/104.33
2011/0155353 A1 *	6/2011	Wan	F28D 15/00 165/104.31
2014/0030900 A1 *	1/2014	Leigh	H01L 23/4006 439/196

(Continued)

OTHER PUBLICATIONS

Twitter, "Media Tweets by Ebullient (@EbullientInc)", Relevant images as early as Apr. 24, 2015, Accessed May 27, 2016. (https://twitter.com/Ebullient_Inc/media).*

(Continued)

Primary Examiner — Jennifer Rivard

Assistant Examiner — April Rivas

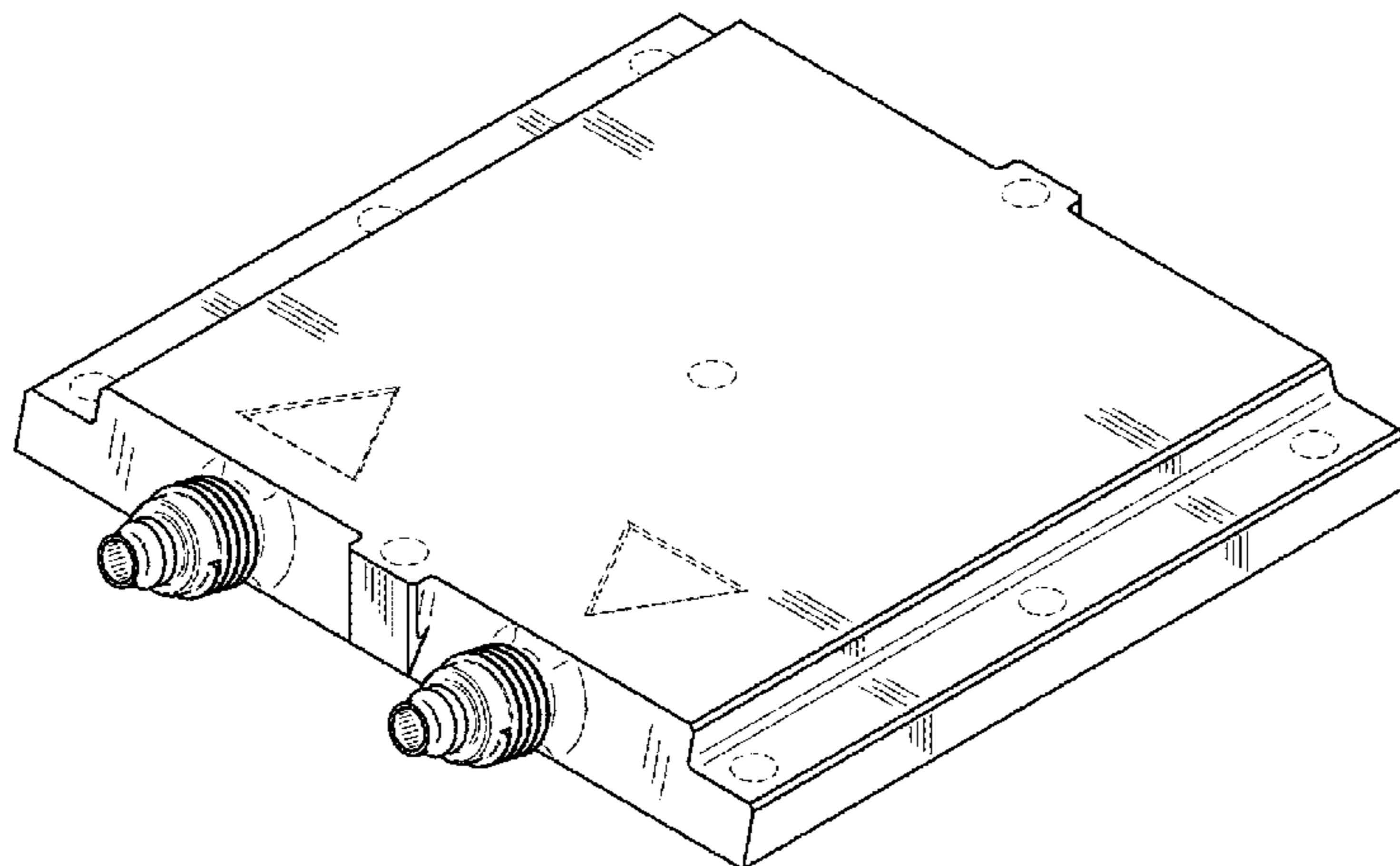
(57) **CLAIM**

The ornamental design for a multi-chamber heat sink module, as shown and described.

DESCRIPTION

FIG. 1 is top, front perspective view of a multi-chamber heat sink module;
FIG. 2 is a bottom, front perspective view of the multi-chamber heat sink module of FIG. 1;
FIG. 3 is a top, rear perspective view of the multi-chamber heat sink module of FIG. 1;
FIG. 4 is a bottom, rear perspective view of the multi-chamber heat sink module of FIG. 1;
FIG. 5 is a top view of the multi-chamber heat sink module of FIG. 1;
FIG. 6 is a bottom view of the multi-chamber heat sink module of FIG. 1;
FIG. 7 is a front view of the multi-chamber heat sink module of FIG. 1;
FIG. 8 is a rear view of the multi-chamber heat sink module of FIG. 1;
FIG. 9 is right side view of the multi-chamber heat sink module of FIG. 1;
FIG. 10 is left side view of the multi-chamber heat sink module of FIG. 1;
FIG. 11 is a bottom, rear perspective view of the multi-chamber heat sink module of FIG. 1; and,
FIG. 12 is a bottom, front perspective view of the multi-chamber heat sink module of FIG. 1.
The broken lines shown in the drawings illustrate portions of the heat sink module and form no part of the claimed design.

1 Claim, 6 Drawing Sheets



(56)

References Cited

U.S. PATENT DOCUMENTS

2014/0069614	A1*	3/2014	Chiu	F28D 15/00 165/104.13
2014/0131007	A1*	5/2014	Lyon	F28F 9/007 165/67
2014/0311176	A1*	10/2014	Meng	F25D 7/00 62/314
2014/0313806	A1*	10/2014	Shinohara	H05K 7/20927 363/141
2015/0124404	A1*	5/2015	Shen	H01R 13/62994 361/694
2016/0128238	A1*	5/2016	Shedd	H05K 7/20772 361/679.47

OTHER PUBLICATIONS

Aliexpress, Results for “copper water block . . .”, Searched Jun. 27, 2016. (<http://www.aliexpress.com/cp/copper-water-block-online-shopping.html>).*

Amazon, “Nhowe SC-VG46 VGA GPU Water Cooling Block . . .”, Accessed May 27, 2016, First sold on Nov. 7, 2015, (https://www.amazon.com/Nhowe-SC-VG46-Cooling-Support-version/dp/B017P09W9C?ie=UTF8&keywords=Aluminum%20Water%20Block&qid=1464369241&ref_=sr_1_87&s=pc&sr=1-87).*

UK420 Forum, “My DIY Led panel” Topic, post #32, Accessed May 27, 2016, Posted Nov. 5, 2014, (<http://www.uk420.com/boards/index.php?showtopic=349820&page=3>).*

* cited by examiner

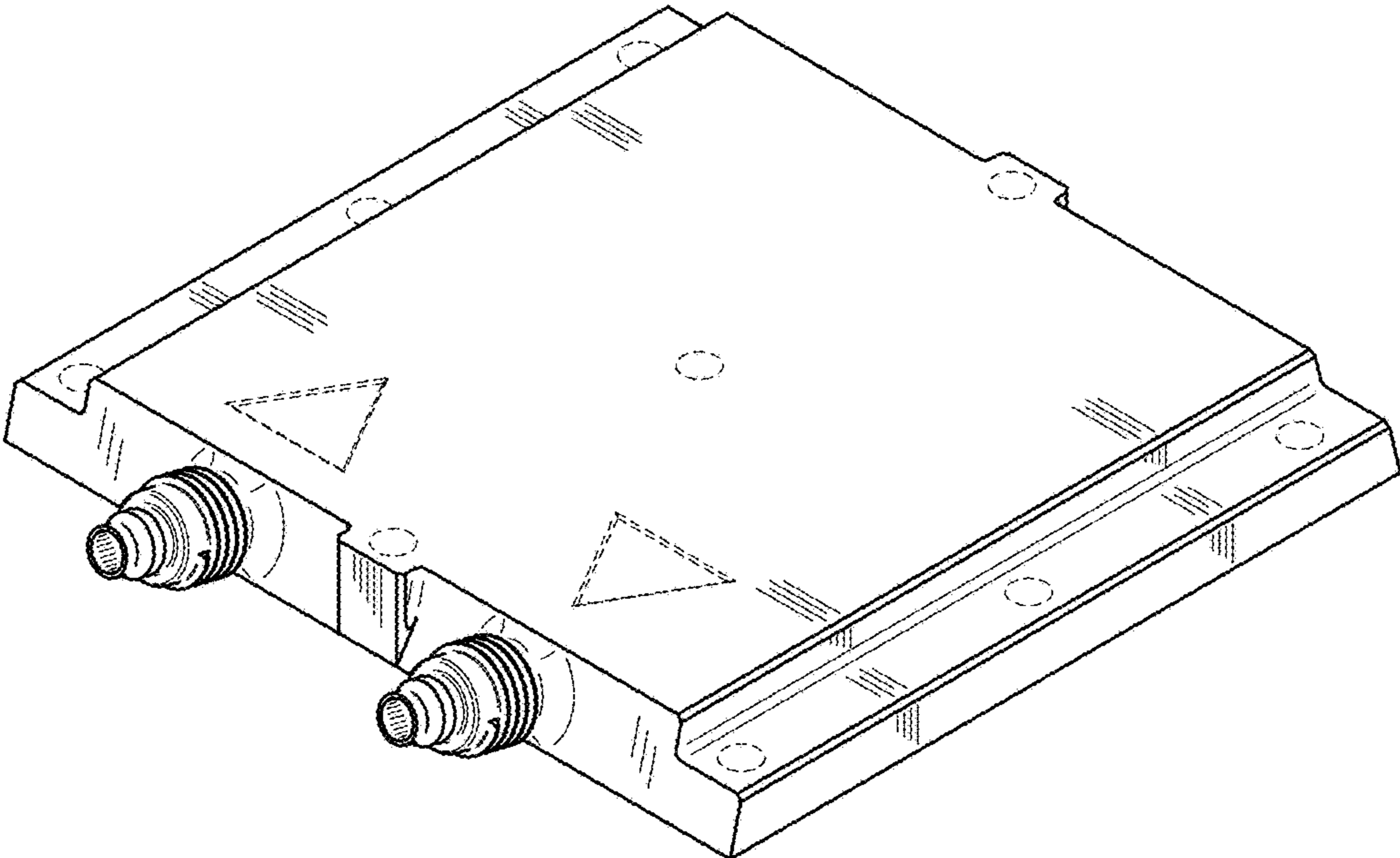


FIG. 1

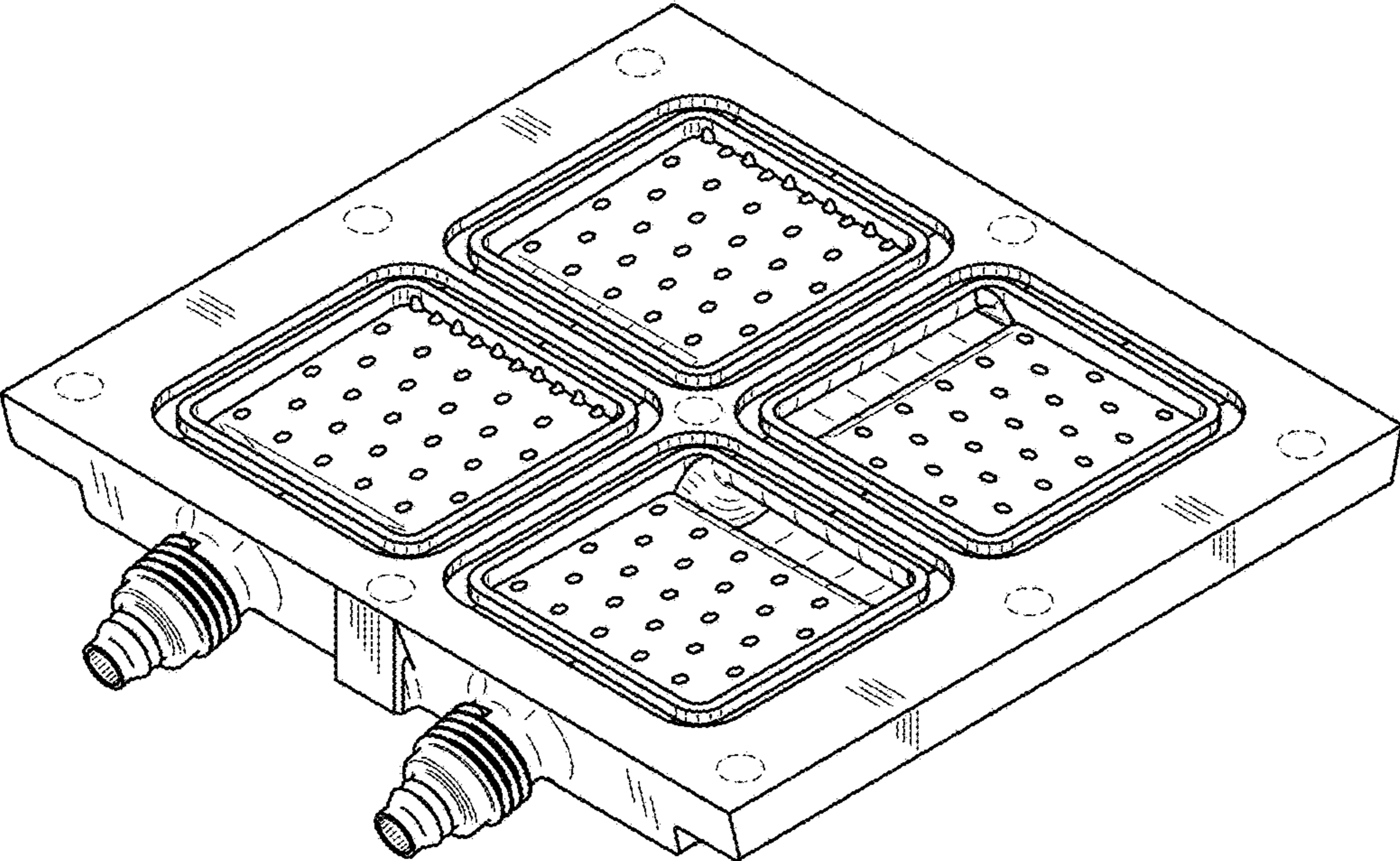


FIG. 2

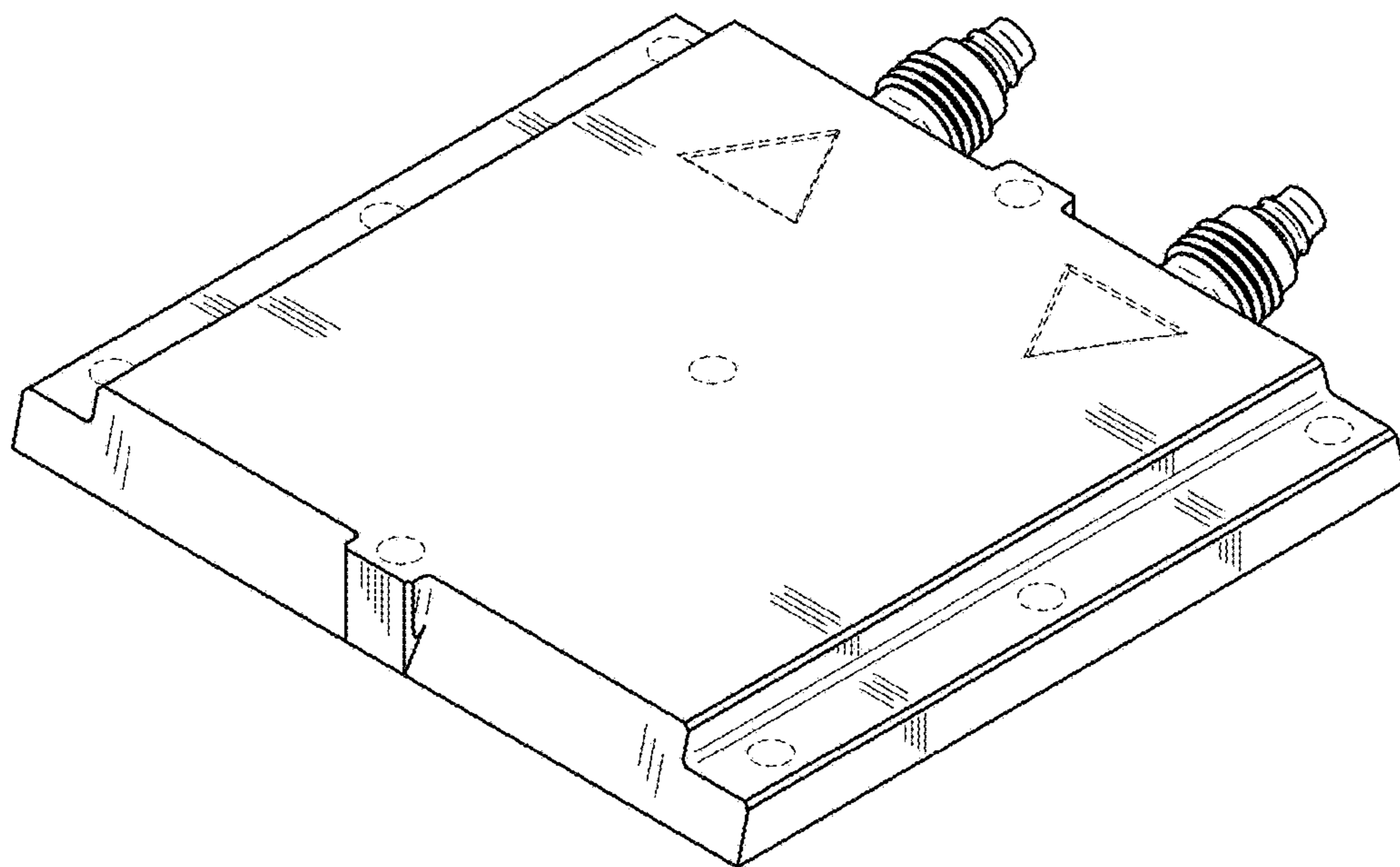


FIG. 3

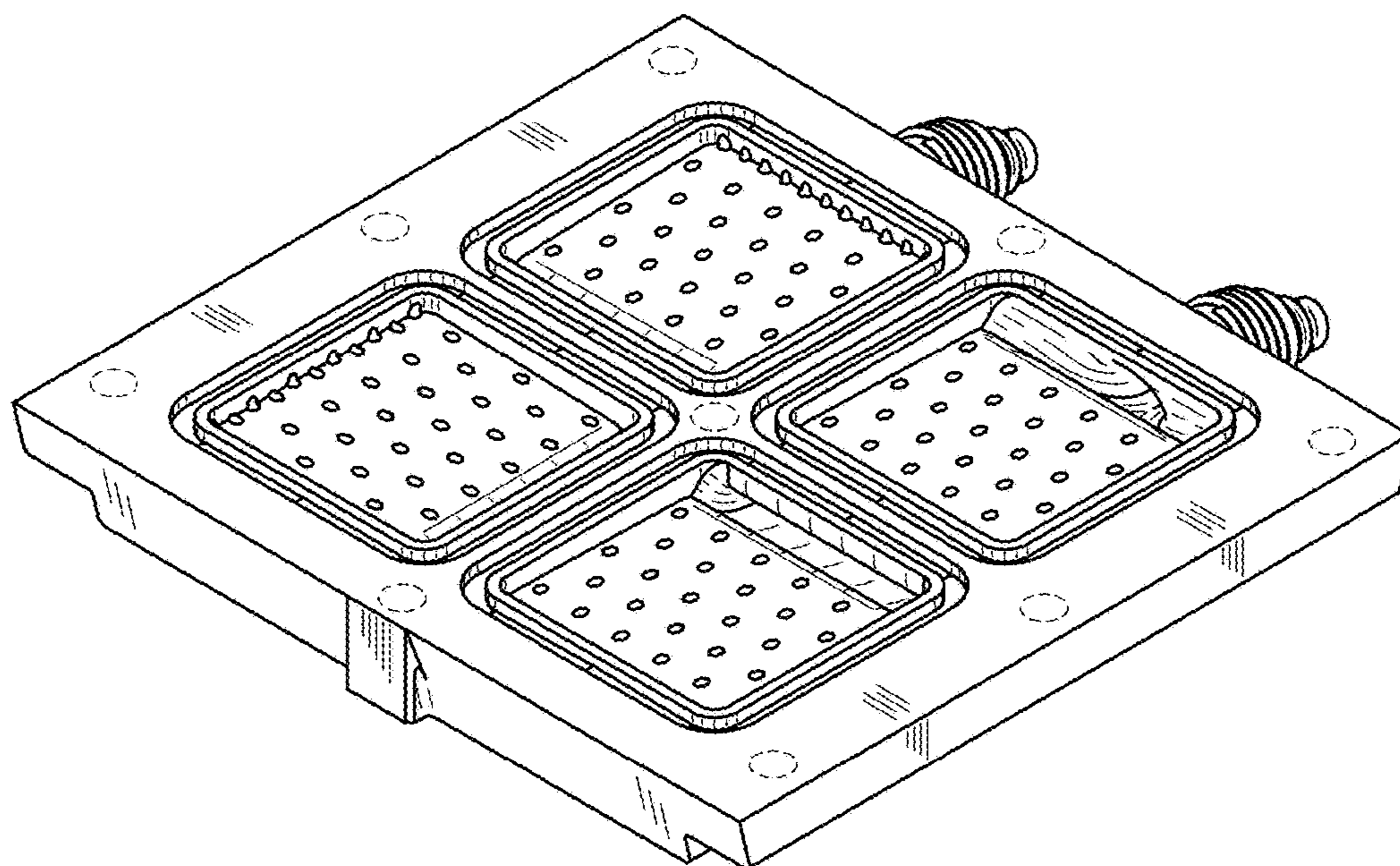


FIG. 4

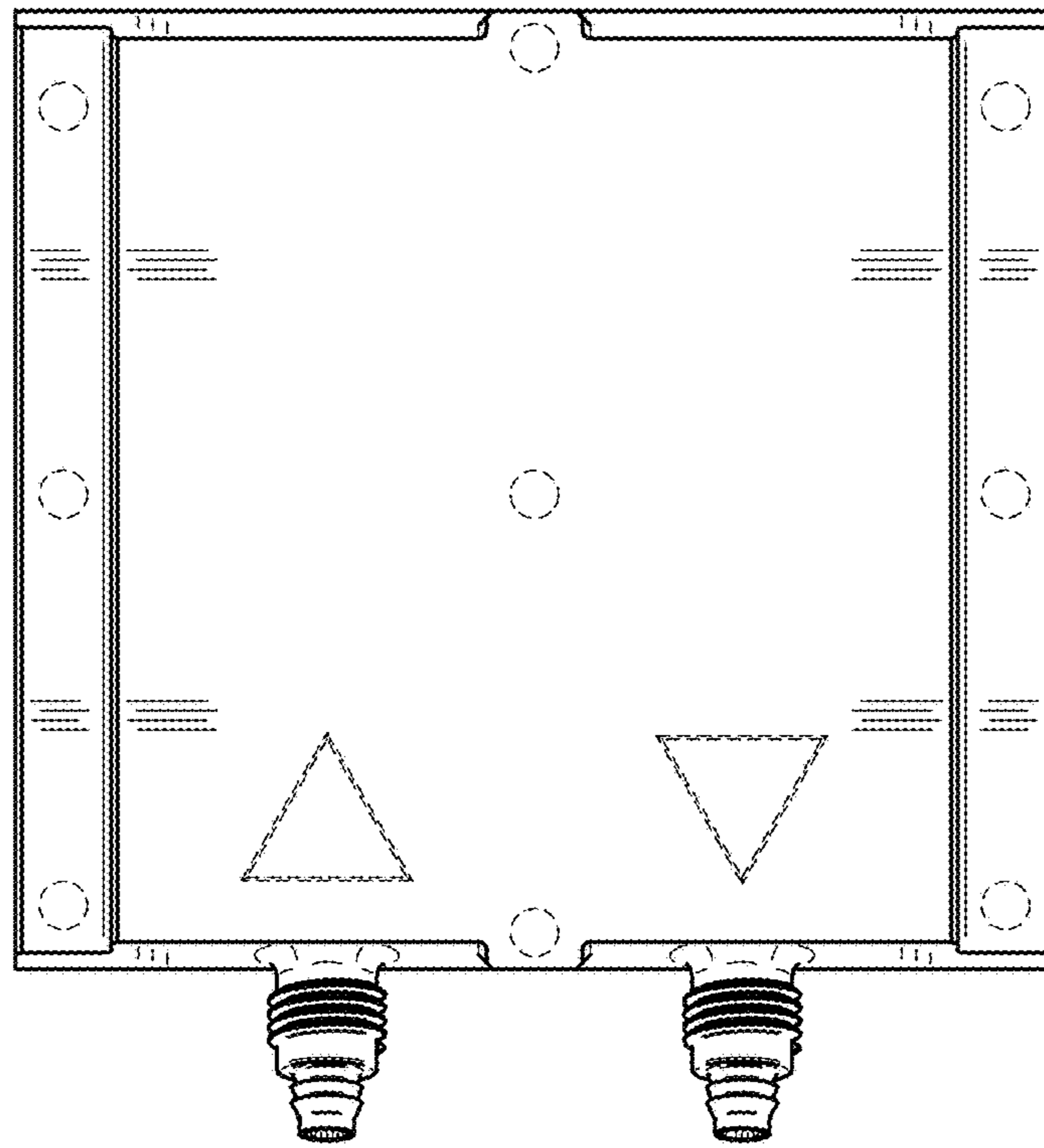


FIG. 5

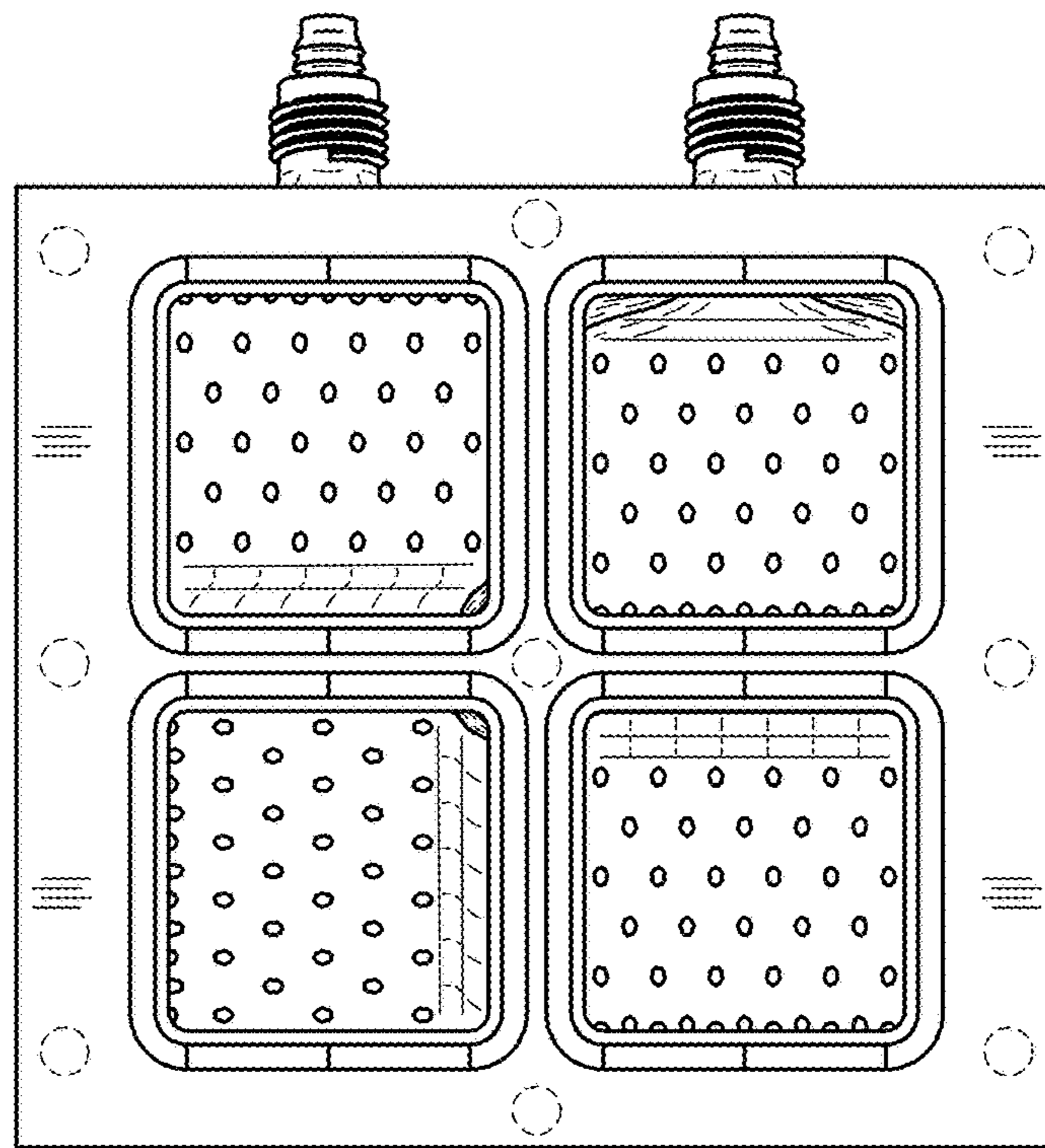


FIG. 6

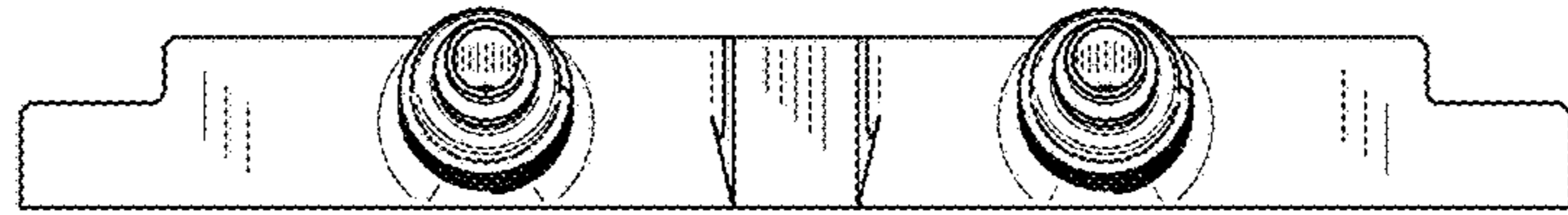


FIG. 7

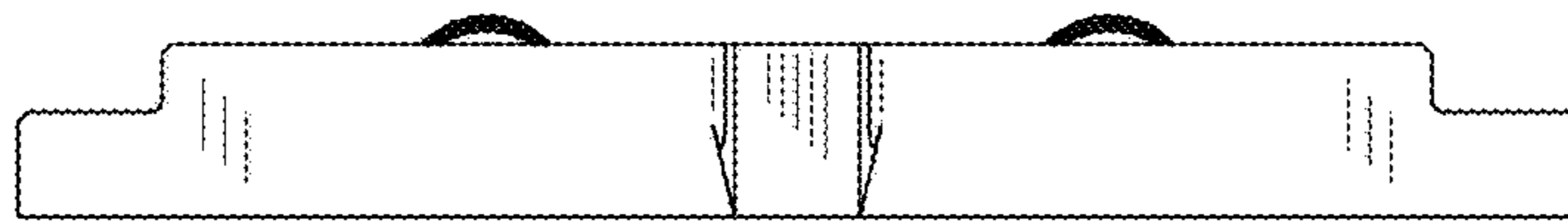


FIG. 8

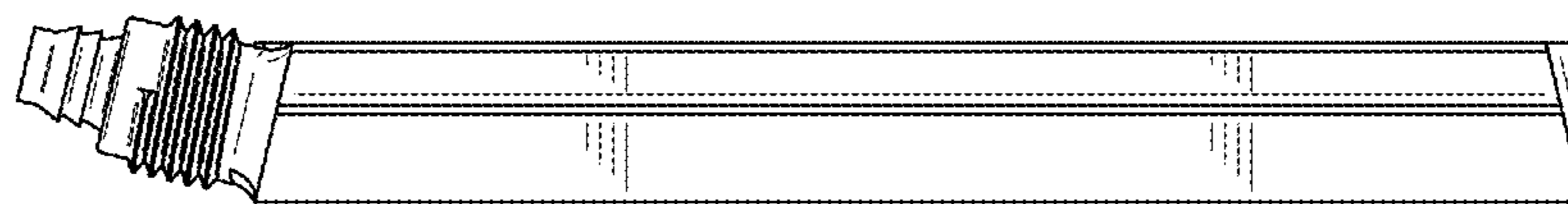


FIG. 9

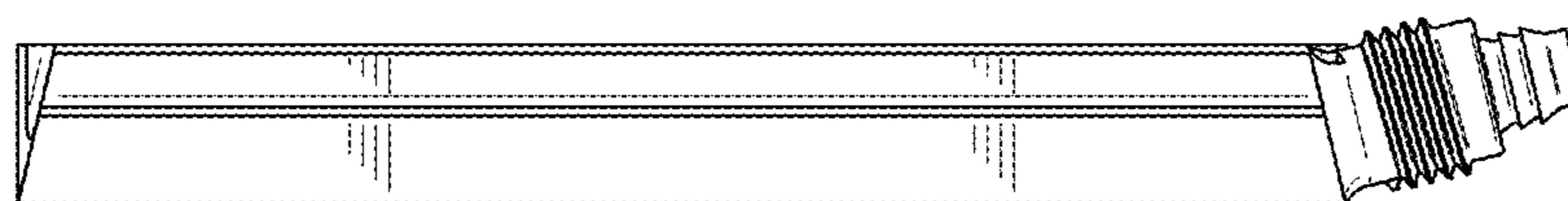


FIG. 10

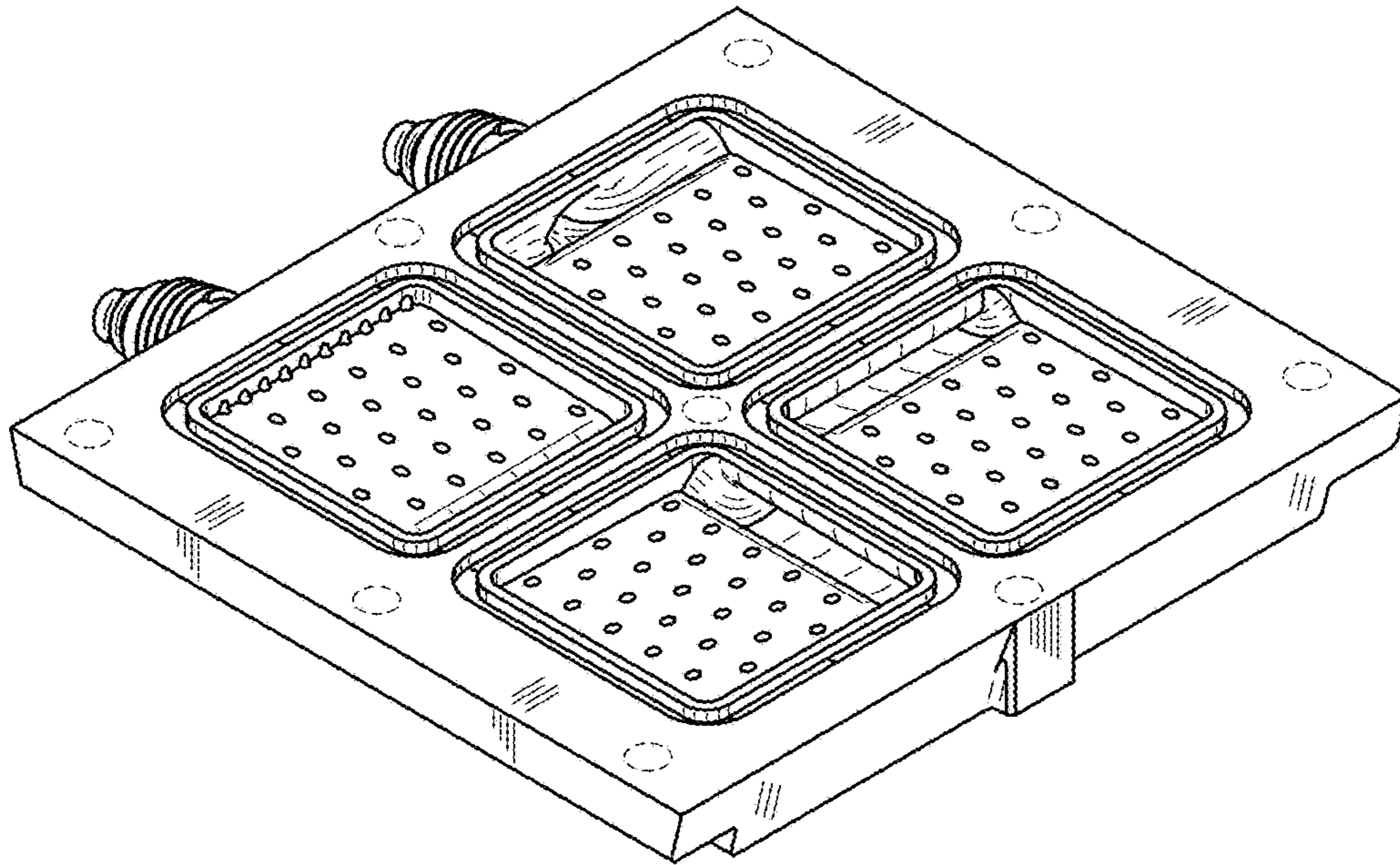


FIG. 11

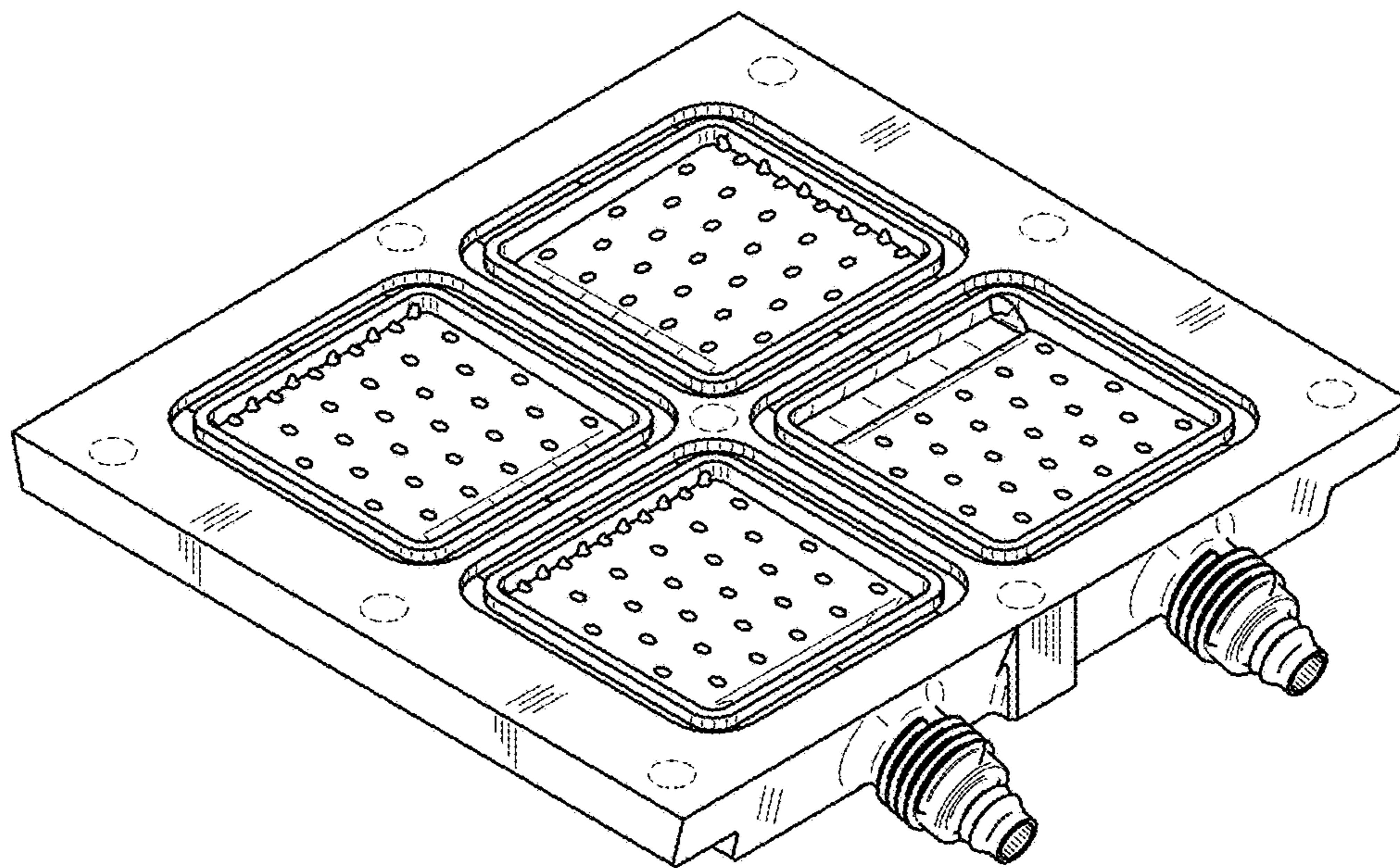


FIG. 12