



US00D773408S

(12) **United States Design Patent** (10) **Patent No.:** **US D773,408 S**
Lindeman (45) **Date of Patent:** **** Dec. 6, 2016**

(54) **REDUNDANT HEAT SINK MODULE**

(71) Applicant: **EBULLIENT, LLC**, Madison, WI (US)

(72) Inventor: **Brett A. Lindeman**, Madison, WI (US)

(73) Assignee: **Ebullient, Inc.**, Madison, WI (US)

(**) Term: **15 Years**

(21) Appl. No.: **29/531,759**

(22) Filed: **Jun. 29, 2015**

Related U.S. Application Data

(63) Continuation of application No. 29/529,869, filed on Jun. 11, 2015.

(51) **LOC (10) Cl.** **13-03**

(52) **U.S. Cl.**
USPC **D13/179**

(58) **Field of Classification Search**
USPC D13/179, 182; D15/199
CPC H01L 23/473; H01L 23/4735; H01L 23/46;
H01L 23/467; H01L 23/4006; H01L
23/427; F28D 15/00; F28D 15/02; F28D
15/0275; F28F 31/02; G06F 1/20; G06F
2200/201

See application file for complete search history.

(56) **References Cited**

U.S. PATENT DOCUMENTS

D404,720 S * 1/1999 Gayle D13/179
D582,359 S * 12/2008 Chang D13/179
8,631,860 B2 * 1/2014 Tang G06F 1/20
123/41.51
D715,747 S * 10/2014 Imoto D13/179
9,175,911 B2 * 11/2015 Huang F28F 9/002

(Continued)

OTHER PUBLICATIONS

Amazon, "Nhowe SC-VG46 VGA GPU Water Cooling Block for Support N Card Public version GTX460 560Ti", Accessed May 27,

2016, First sold on Amazon Nov. 7, 2015. (https://www.amazon.com/Nhowe-SC-VG46-Cooling-Support-version/dp/B017P09W9C?ie=UTF8&keywords=Aluminum%20Water%20Block&qid=1464369241&ref_=sr_1_87&s=pc&sr=1-87).

(Continued)

(Continued)

Primary Examiner — Jennifer Rivard

Assistant Examiner — April Rivas

(57) **CLAIM**

The ornamental design for a redundant heat sink module, as shown and described.

DESCRIPTION

FIG. 1 is top front perspective view of a redundant heat sink module;

FIG. 2 is a bottom front perspective view of the redundant heat sink module of FIG. 1;

FIG. 3 is top rear perspective view of the redundant heat sink module of FIG. 1;

FIG. 4 is a bottom rear perspective view of the redundant heat sink module of FIG. 1;

FIG. 5 is a top view of the redundant heat sink module of FIG. 1;

FIG. 6 is a bottom view of the redundant heat sink module of FIG. 1;

FIG. 7 is a front view of the redundant heat sink module of FIG. 1;

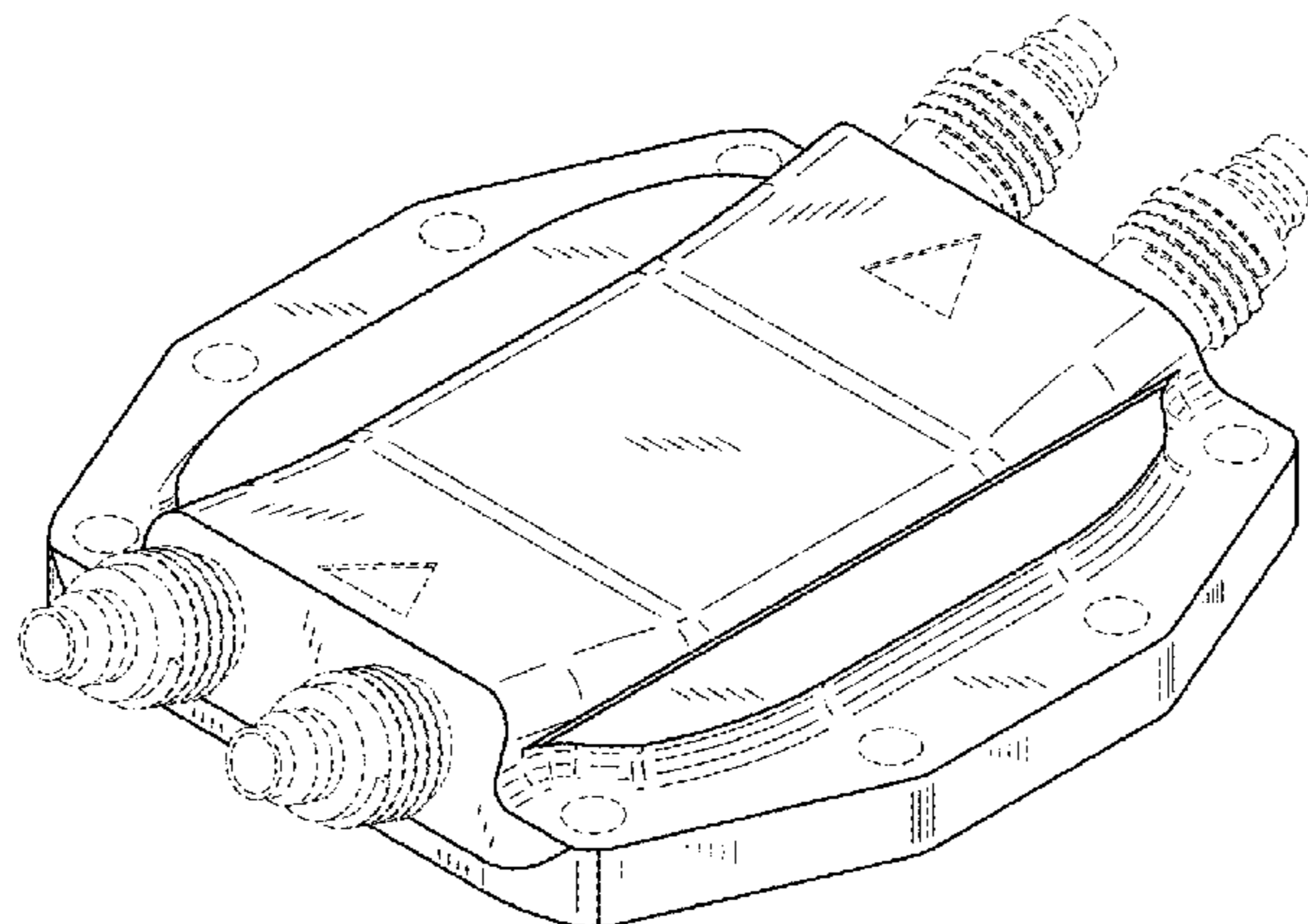
FIG. 8 is a rear view of the redundant heat sink module of FIG. 1;

FIG. 9 is a left side view of the redundant heat sink module of FIG. 1; and,

FIG. 10 is a right side view of the redundant heat sink module of FIG. 1.

The broken lines shown in the drawings illustrate portions of the heat sink module and form no part of the claimed design.

1 Claim, 5 Drawing Sheets



(56)

References Cited

U.S. PATENT DOCUMENTS

2006/0162340 A1* 7/2006 Kuo G06F 1/20
62/3.2
2009/0044929 A1* 2/2009 Yeh F28D 1/05391
165/104.19
2011/0155353 A1* 6/2011 Wan F28D 15/00
165/104.31
2014/0030900 A1* 1/2014 Leigh H01L 23/4006
439/196
2014/0069614 A1* 3/2014 Chiu F28D 15/00
165/104.13
2014/0311176 A1* 10/2014 Meng F25D 7/00
62/314
2015/0124404 A1* 5/2015 Shen H01R 13/62994
361/694
2016/0118317 A1* 4/2016 Shedd F25B 23/006
257/712
2016/0128238 A1* 5/2016 Shedd H05K 7/20772
361/679.47

OTHER PUBLICATIONS

Linustechtips forum, "EK Introduces Annihilator Series 1U CPU Water Block for server and workstation type motherboards", Accessed May 27, 2016, Posted May 15, 2015. (<https://linustechtips.com/main/topic/367045-ek-introduces-annihilator-series-1u-cpu-water-block-for-server-and-workstation-type-motherboards/>).*
Aliexpress Shop, "New POM Acrylic GPU water cooling block Copper Waterblock Liquid Cooler for hole Pitch 43-53mm Graphics Card", Accessed Jun. 27, 2016, Reviewed on Jan. 29, 2016. (<http://www.aliexpress.com/item/New-GPU-XPB-POM-Acrylic-43-53-mm-kernel-water-cooling-block-Copper-Waterblock-Liquid-Cooler/1757527273.html>).*

* cited by examiner

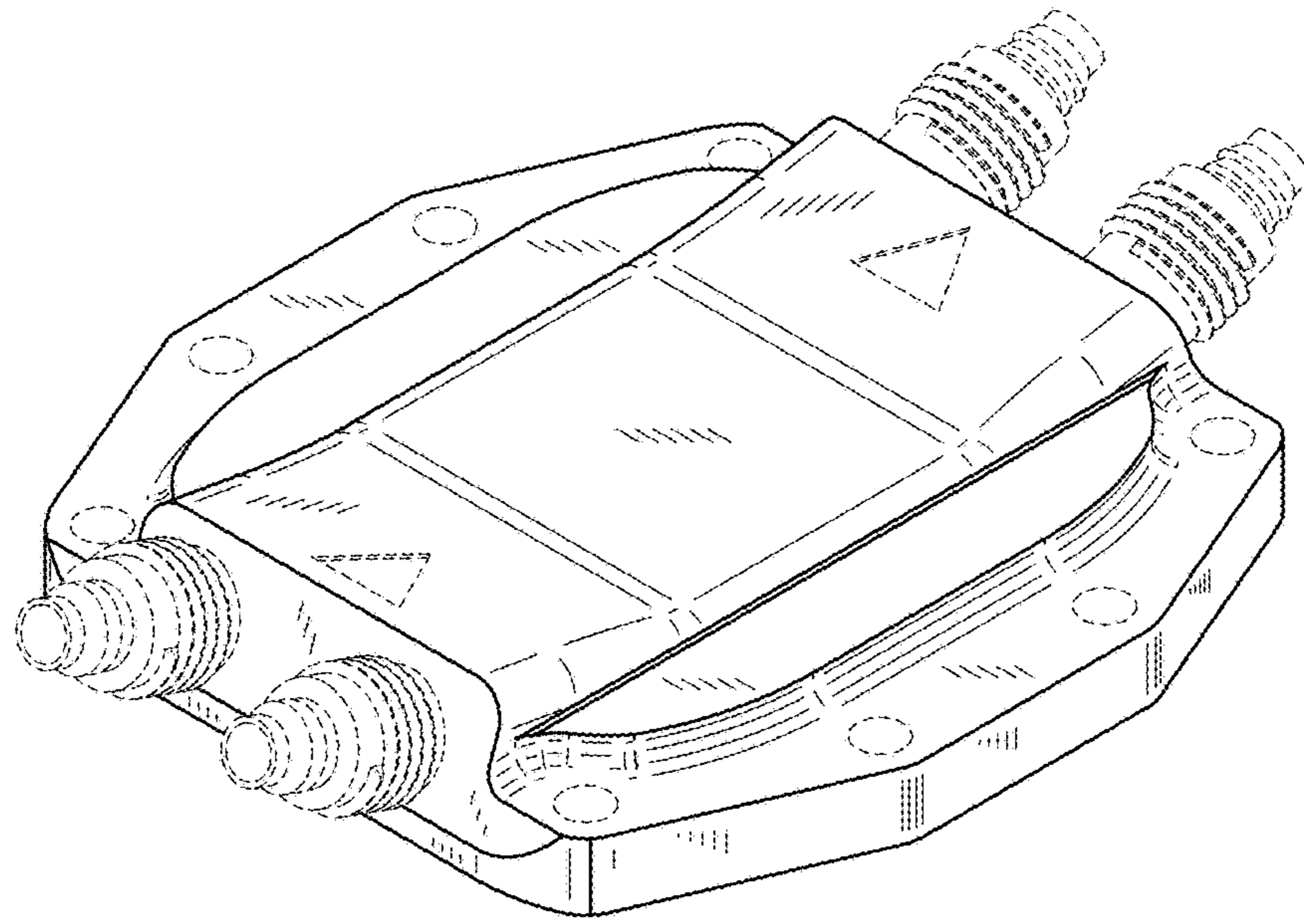


FIG. 1

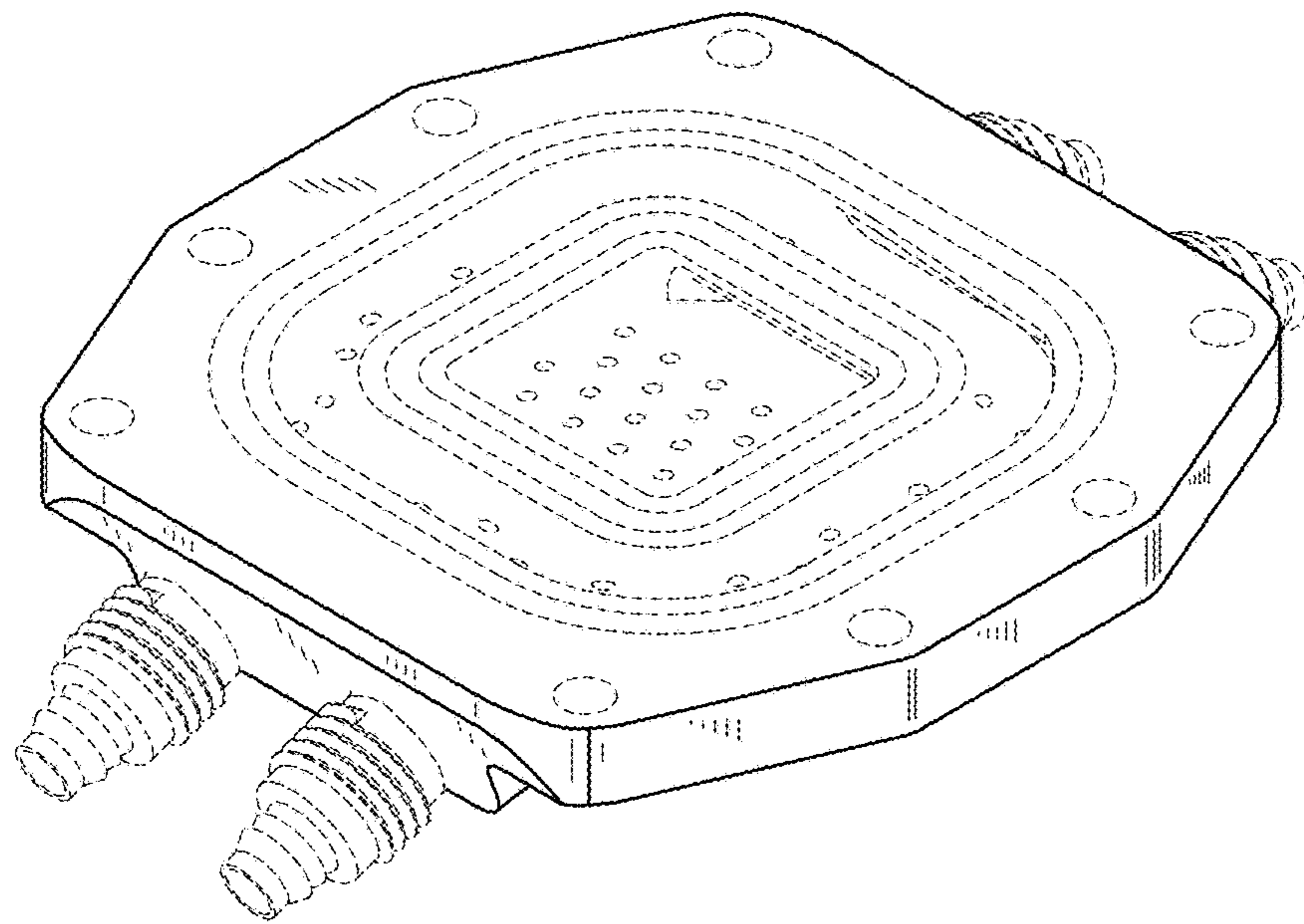


FIG. 2

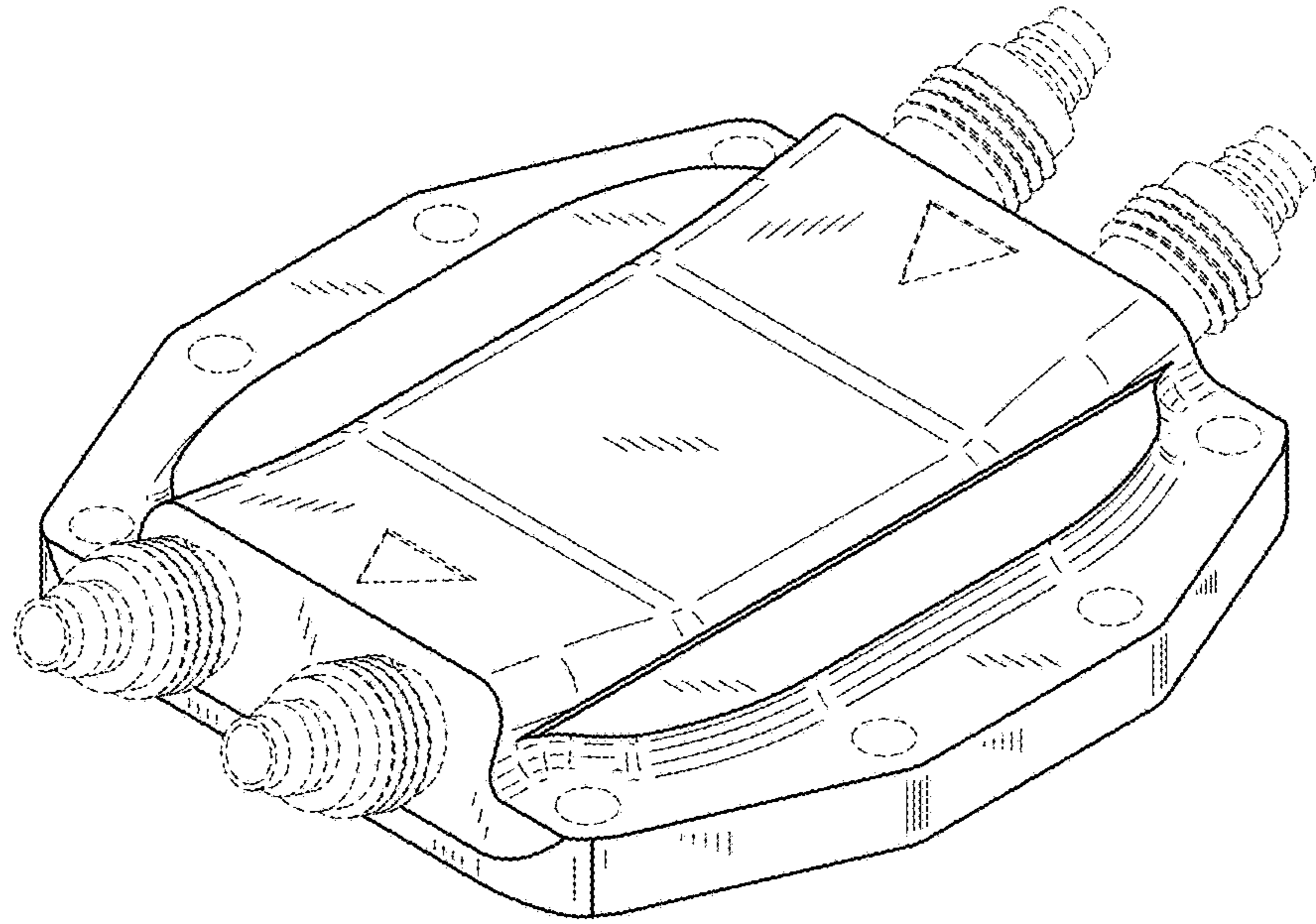


FIG. 3

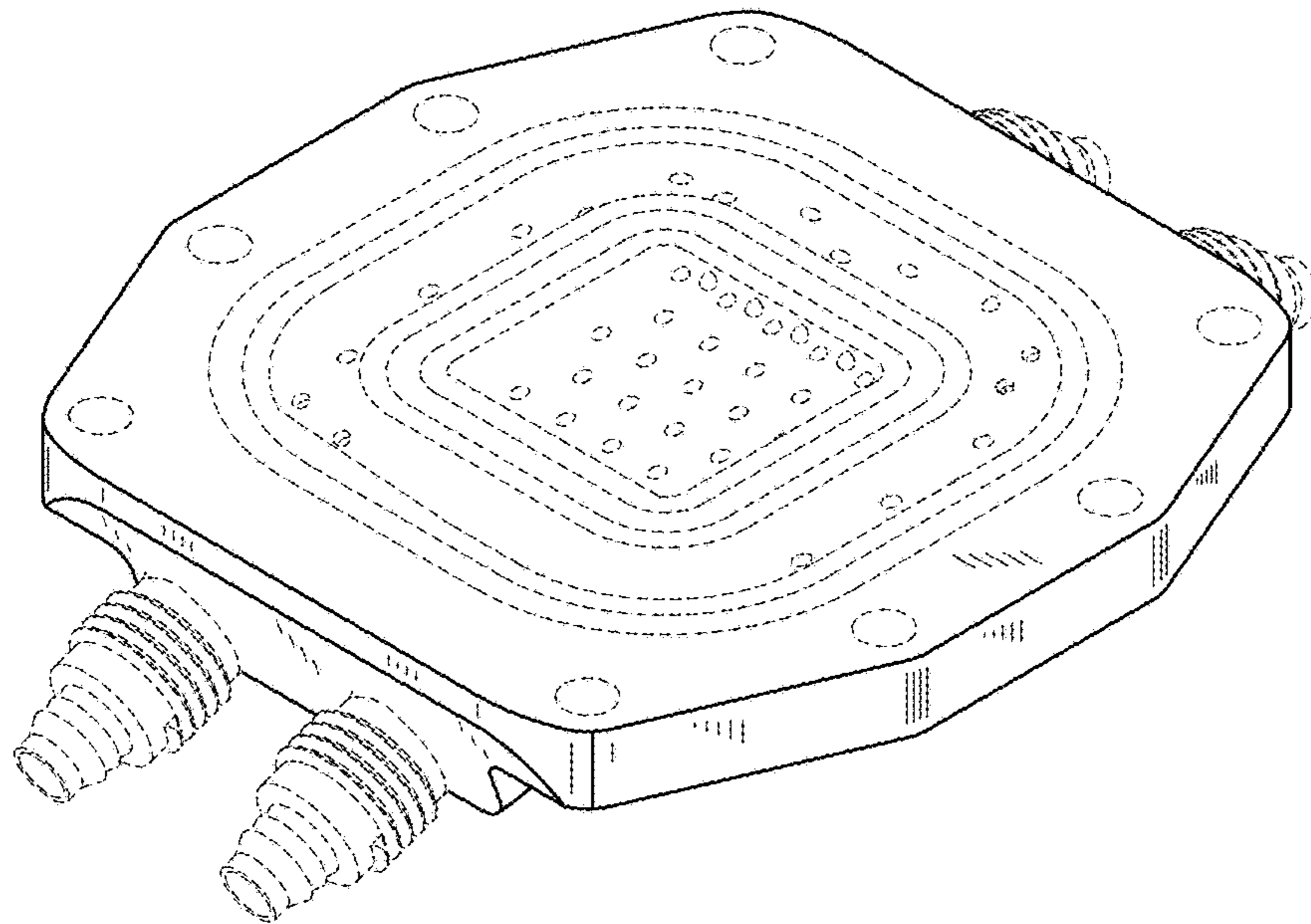


FIG. 4

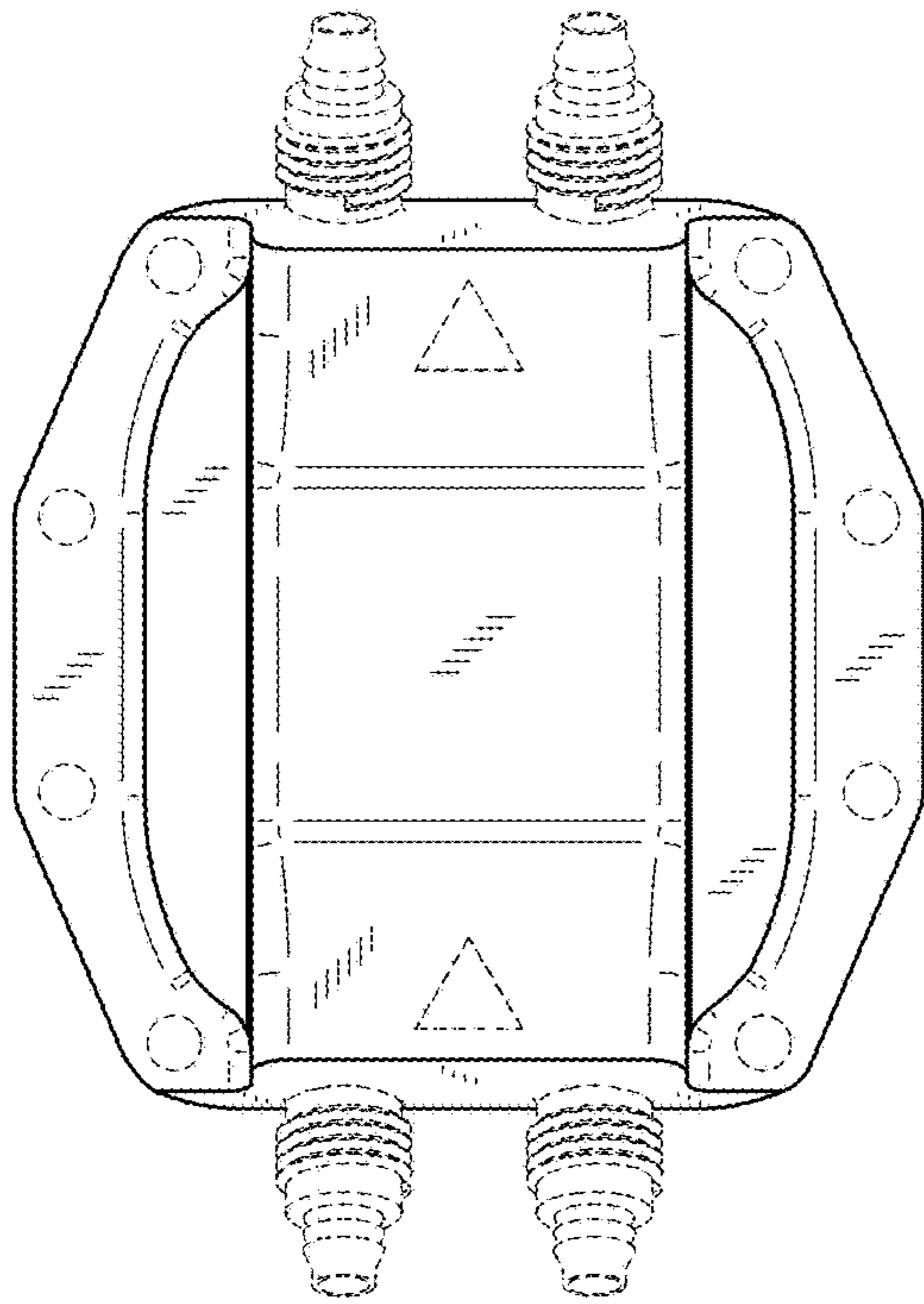


FIG. 5

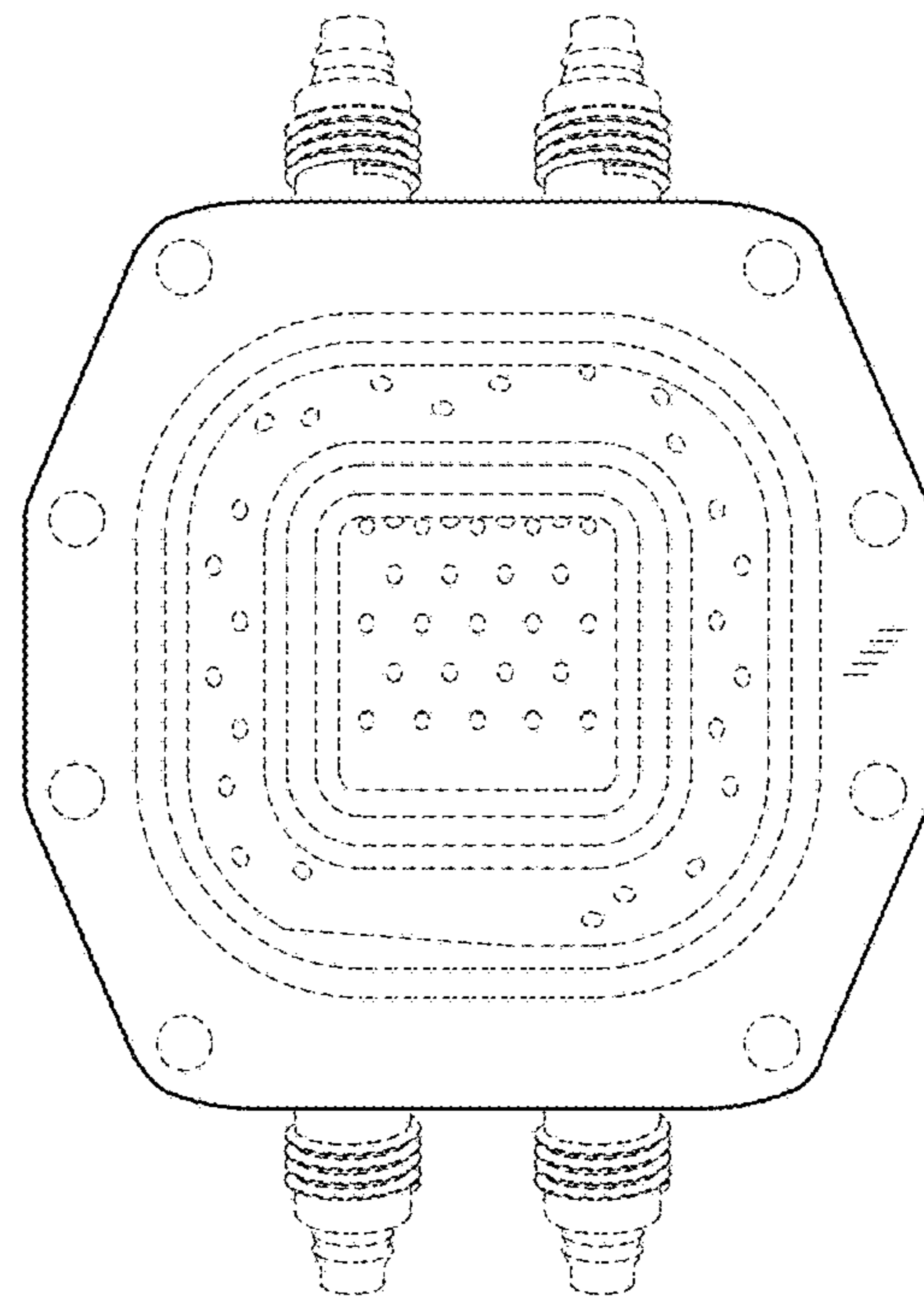


FIG. 6

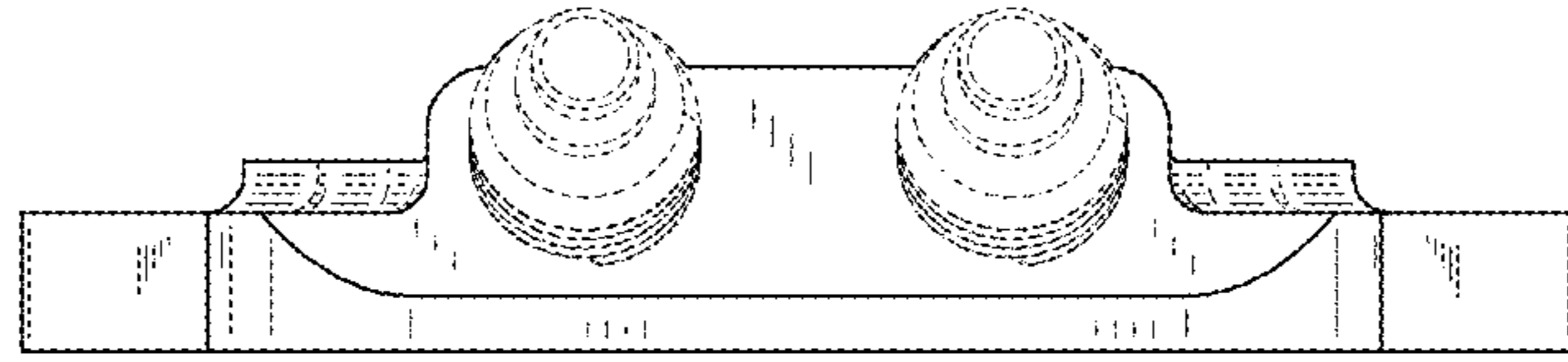


FIG. 7

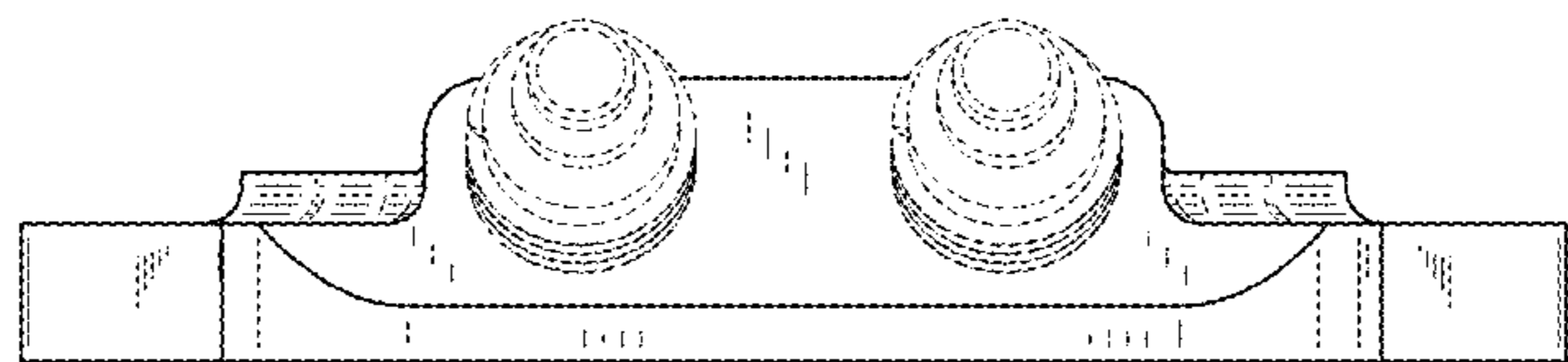


FIG. 8

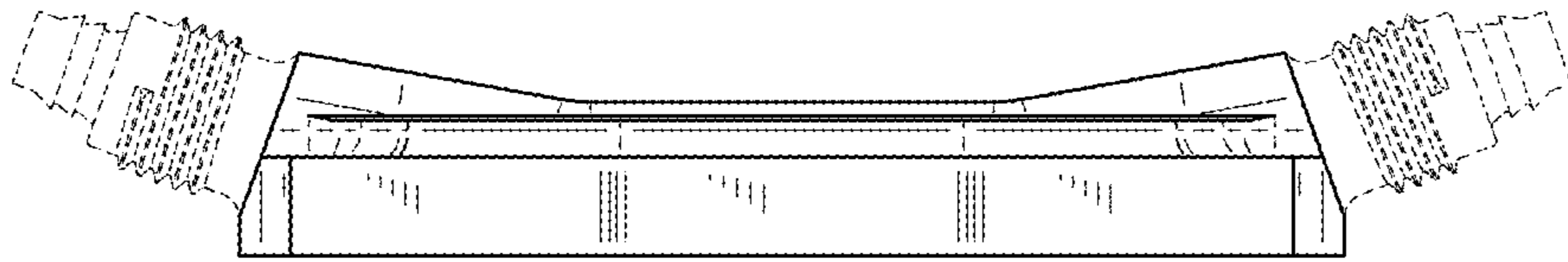


FIG. 9

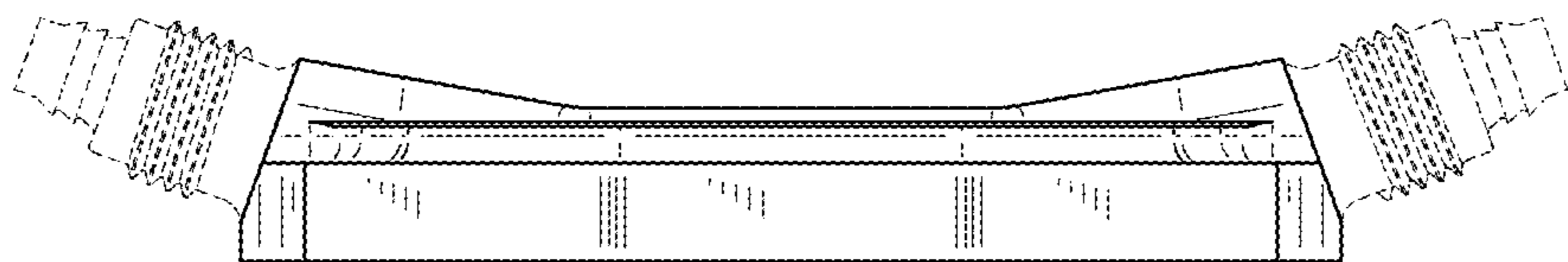


FIG. 10