



US00D773406S

(12) **United States Design Patent**  
**Park et al.**

(10) **Patent No.:** **US D773,406 S**  
(45) **Date of Patent:** **\*\* Dec. 6, 2016**

(54) **SMART KEY FOR AUTOMOBILES**

(71) Applicant: **LG ELECTRONICS INC.**, Seoul (KR)

(72) Inventors: **Soonhyun Park**, Seoul (KR);  
**Cheolwoong Shin**, Seoul (KR);  
**Hongsik Kim**, Seoul (KR); **Jinki Min**,  
Seoul (KR); **Seunghwan Song**, Seoul  
(KR); **Byunghyun Yi**, Seoul (KR);  
**Jiyoun Cha**, Seoul (KR)

(73) Assignee: **LG ELECTRONICS INC.**, Seoul (KR)

(\*\*) Term: **15 Years**

(21) Appl. No.: **29/534,840**

(22) Filed: **Jul. 31, 2015**

(30) **Foreign Application Priority Data**

Feb. 3, 2015 (KR) ..... 30-2015-0005922

(51) **LOC (10) Cl.** ..... **14-03**

(52) **U.S. Cl.**  
USPC ..... **D13/168; D8/347**

(58) **Field of Classification Search**  
USPC ..... **D13/168; D10/104.1, 106.1; D3/207,  
D3/208; D8/347**  
CPC . **B60R 2225/00; B60R 25/00; B60R 25/104;  
H01H 9/02; H01H 9/0214; H01H 9/0235;  
G07C 9/00944; G05B 1/01; E05B 19/0082;  
E05B 19/04; Y10T 70/8676**  
See application file for complete search history.

(56) **References Cited**

**U.S. PATENT DOCUMENTS**

D375,696 S \* 11/1996 Seki ..... D10/104.1  
D404,284 S \* 1/1999 Sacco ..... D13/182  
7,098,791 B2 \* 8/2006 Okada ..... B60R 25/24  
340/426.13

D556,701 S \* 12/2007 Nohara ..... D13/168  
7,310,980 B2 \* 12/2007 Hashimoto ..... A45C 11/32  
70/252  
7,505,279 B2 \* 3/2009 Ohtaki ..... G07C 9/00944  
361/737  
7,598,462 B2 \* 10/2009 Burca ..... H01H 9/0235  
174/560  
D635,841 S \* 4/2011 Lindley ..... D8/347  
8,072,766 B2 \* 12/2011 Shimura ..... G07C 9/00944  
174/359  
8,171,764 B2 \* 5/2012 Sasaki ..... E05B 19/0082  
70/408  
8,359,891 B2 \* 1/2013 Fujimoto ..... E05B 19/0082  
70/408  
8,479,547 B2 \* 7/2013 Kataya ..... E05B 19/00  
206/37.3

(Continued)

*Primary Examiner* — Selina Sikder

(74) *Attorney, Agent, or Firm* — Birch, Stewart, Kolasch & Birch, LLP

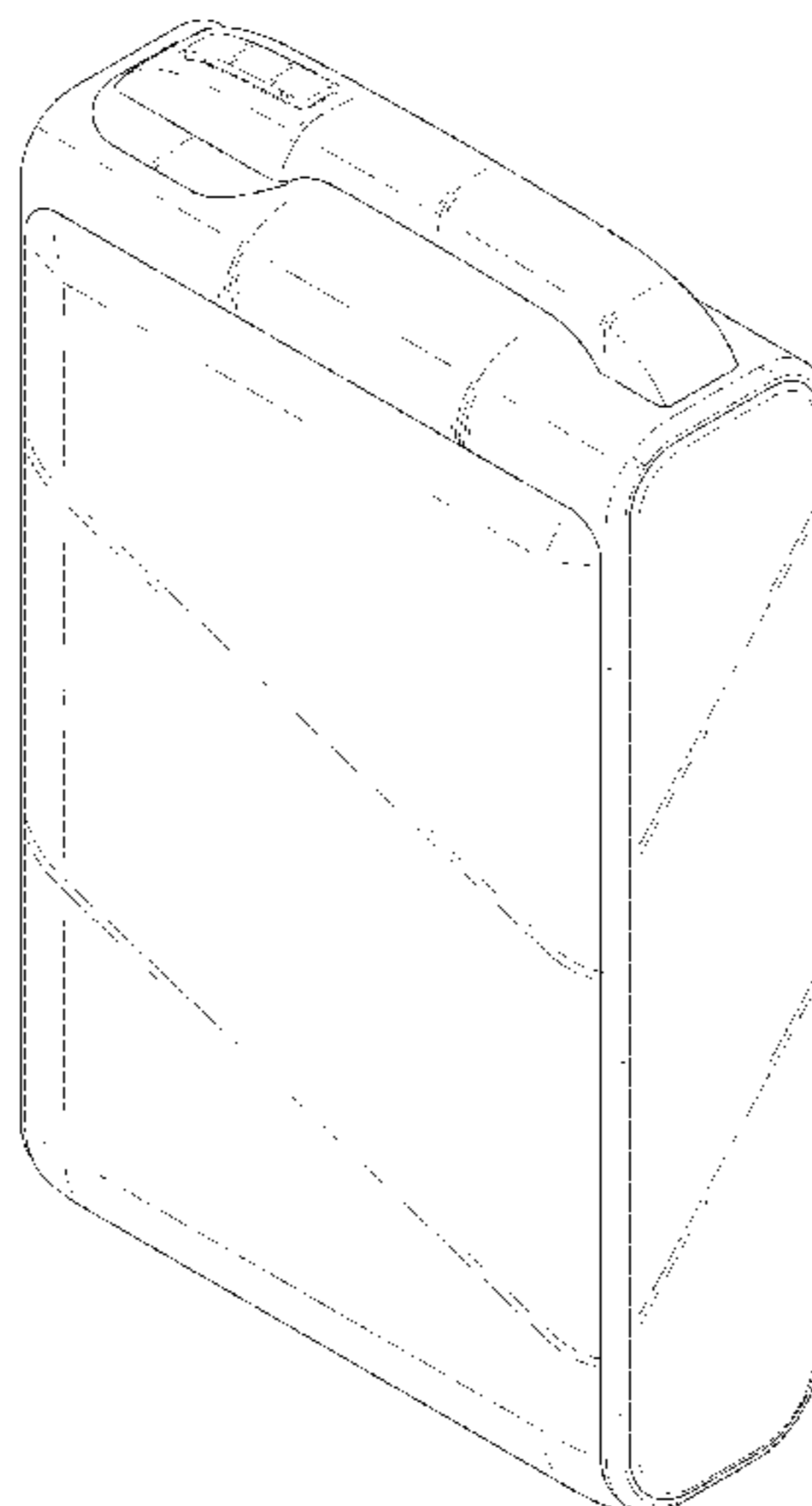
(57) **CLAIM**

The ornamental design for a smart key for automobiles, as shown and described.

**DESCRIPTION**

FIG. 1 is a perspective view of a smart key for automobiles showing our new design;  
FIG. 2 is a front view thereof;  
FIG. 3 is a rear view thereof;  
FIG. 4 is a left side view thereof;  
FIG. 5 is a right side view thereof;  
FIG. 6 is a top plan view thereof;  
FIG. 7 is a bottom plan view thereof;  
FIG. 8 is a reference view showing the state that during operation, the phone number or message is shown on the right side display; and,  
FIG. 9 is a reference view showing the state that the earset on the upper part can be detached.  
The broken lines in FIG. 8 show environmental structure only and form no part of the claimed design.

**1 Claim, 8 Drawing Sheets**



(56)

References Cited

U.S. PATENT DOCUMENTS

D688,215 S \* 8/2013 Yu ..... D13/168  
9,041,512 B2 \* 5/2015 Nakabayashi ..... G07C 9/00944  
340/5.72  
D744,811 S \* 12/2015 Bischoff ..... D8/347  
D749,398 S \* 2/2016 Bachorski ..... D8/347  
2004/0237613 A1 \* 12/2004 Shimura ..... E05B 19/0082  
70/456 R  
2005/0166650 A1 \* 8/2005 Shimura ..... B60R 25/04  
70/252  
2006/0260370 A1 \* 11/2006 Miwa ..... E05B 19/0082  
70/456 R

2013/0141212 A1 \* 6/2013 Pickering ..... G05B 1/01  
340/5.61  
2013/0145803 A1 \* 6/2013 Kataya ..... E05B 19/00  
70/447  
2013/0269404 A1 \* 10/2013 Krymchenko ..... A45C 11/328  
70/456 R  
2014/0190737 A1 \* 7/2014 Chen ..... G07C 9/00944  
174/535  
2015/0204108 A1 \* 7/2015 Ghabra ..... E05B 19/0082  
70/456 R  
2015/0271941 A1 \* 9/2015 Lu ..... H01H 13/705  
361/752

\* cited by examiner

FIG. 1

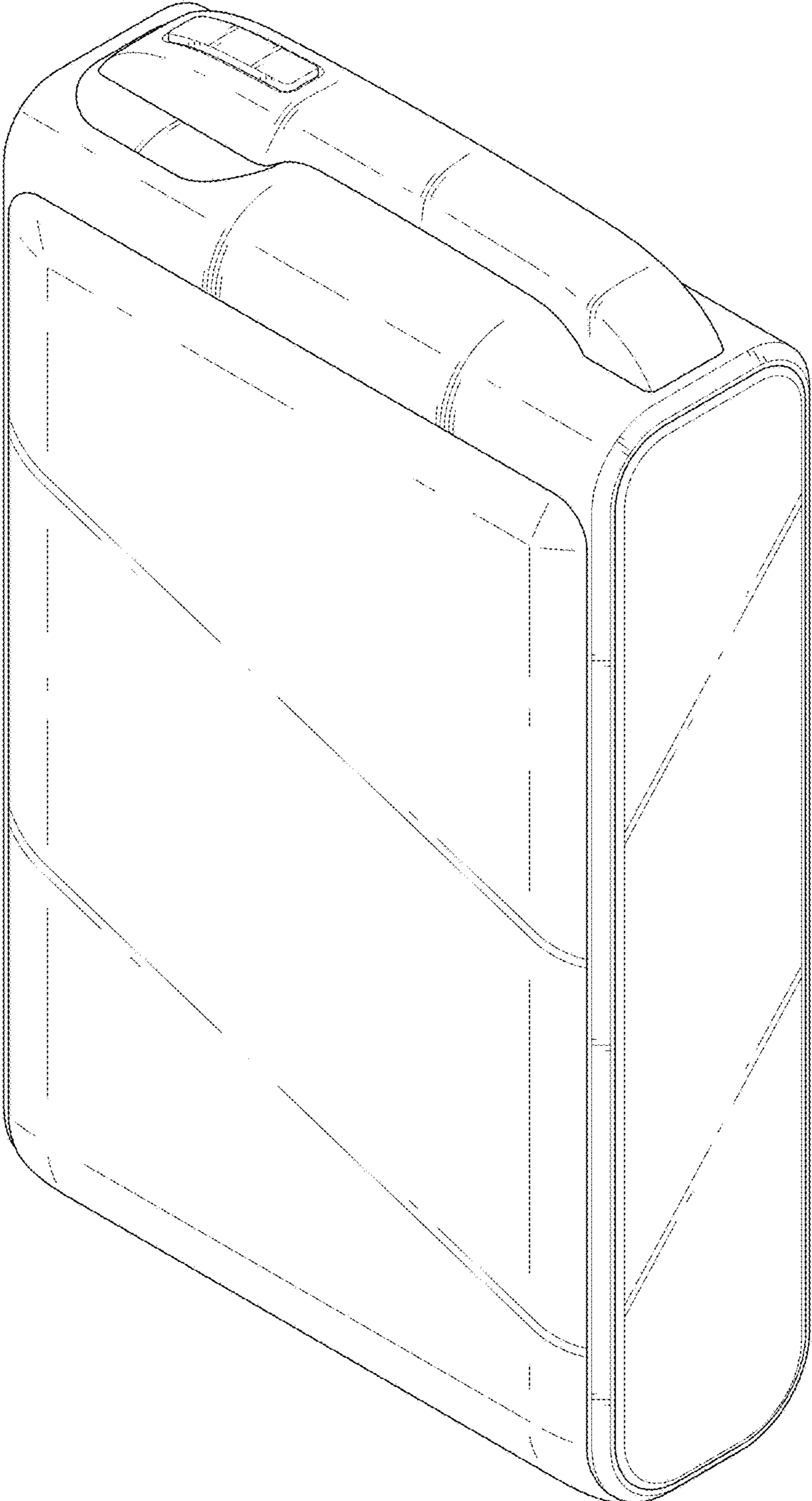


FIG. 2

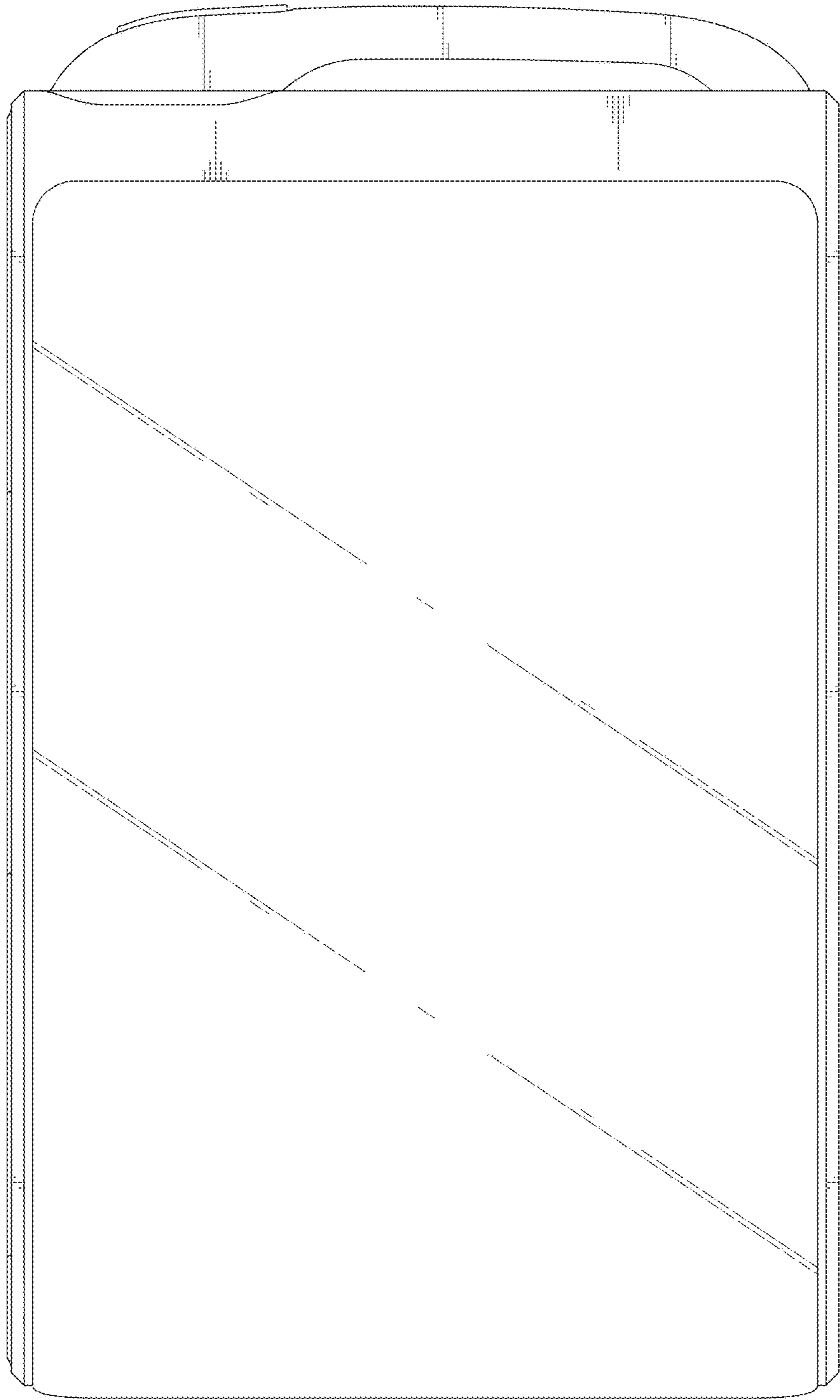


FIG. 3

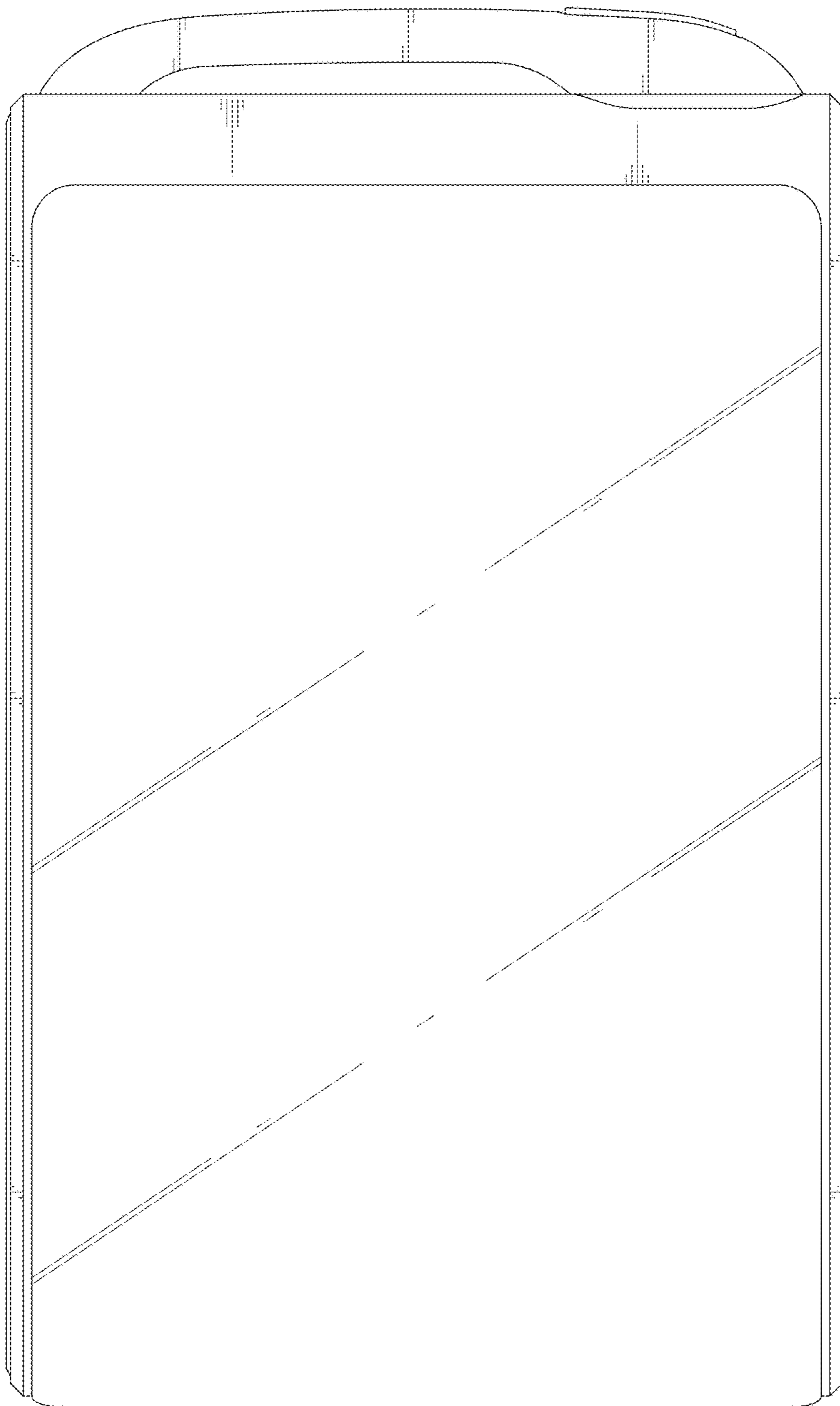


FIG. 4

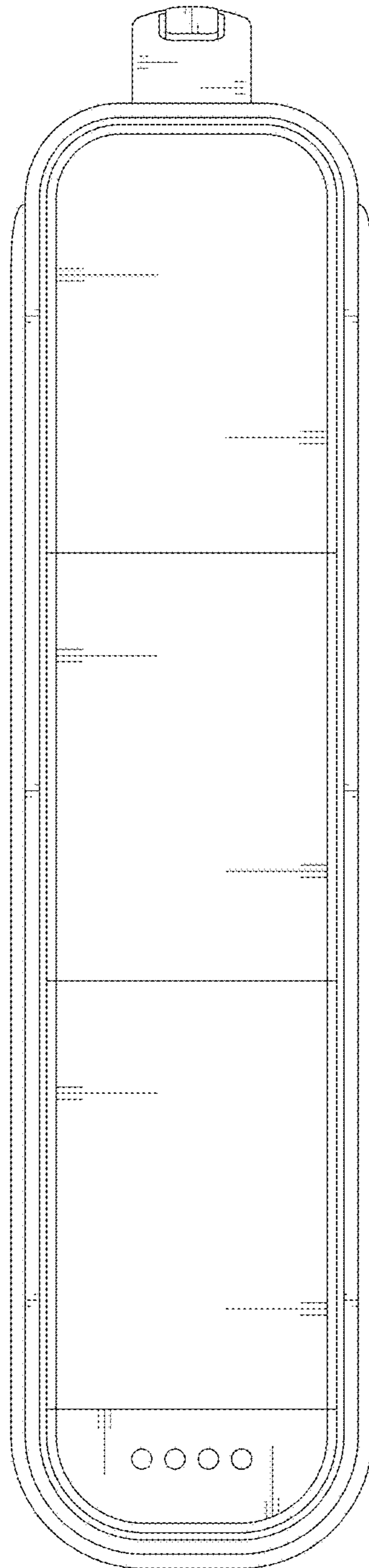


FIG. 5

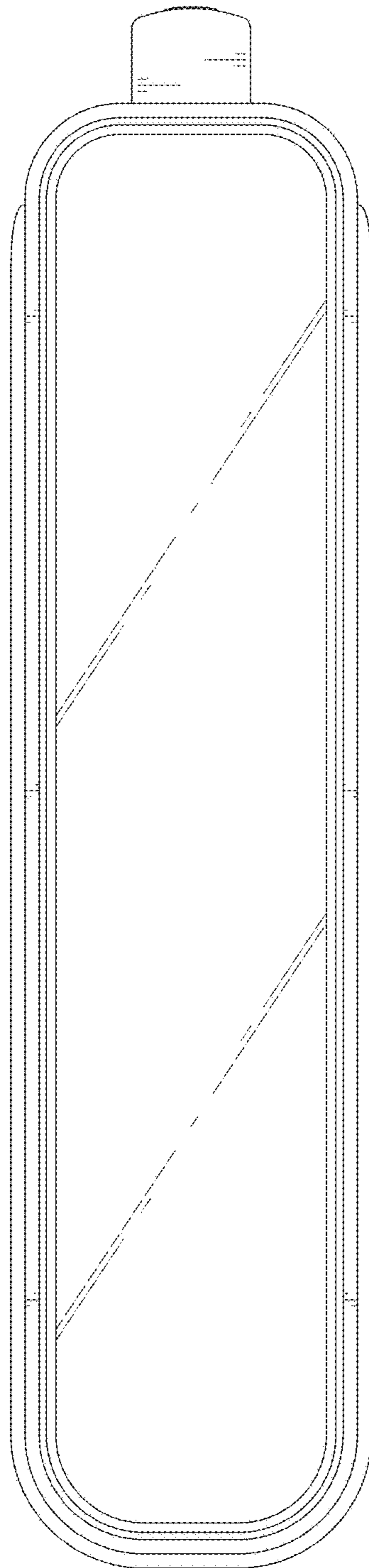


FIG. 6

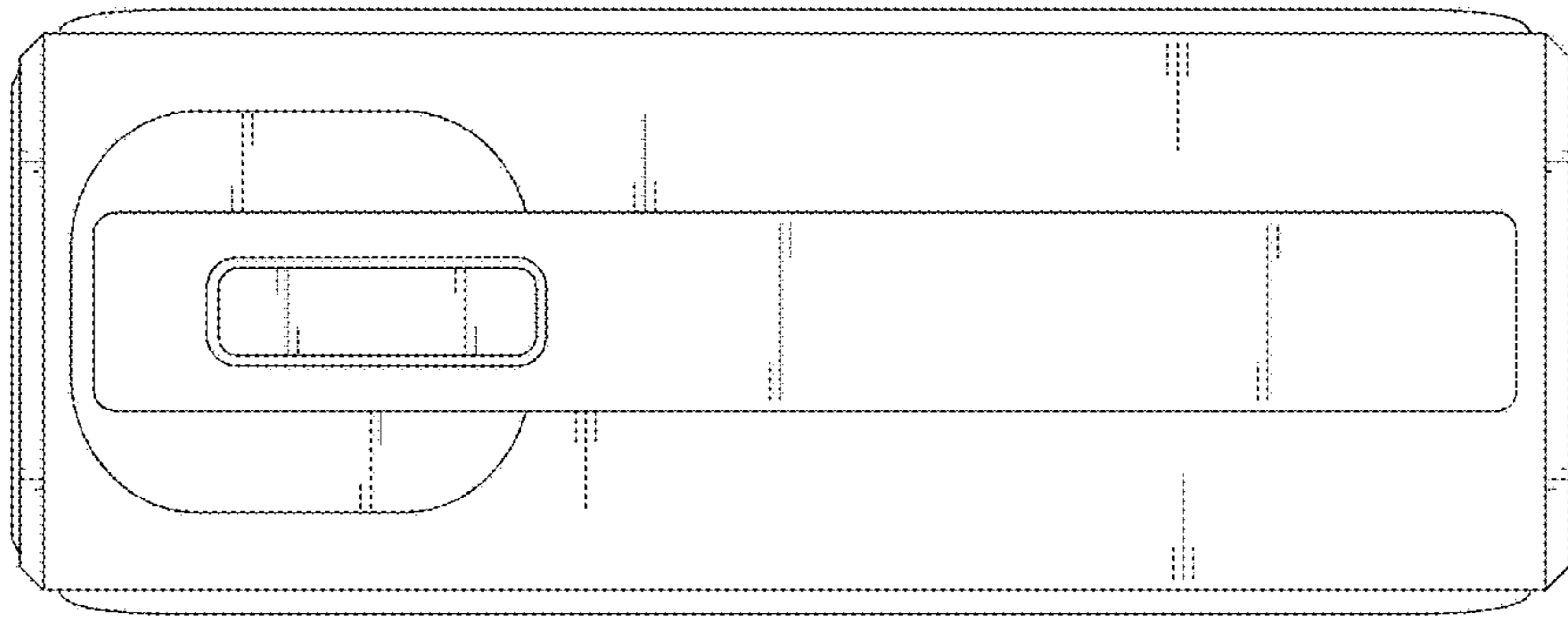


FIG. 7

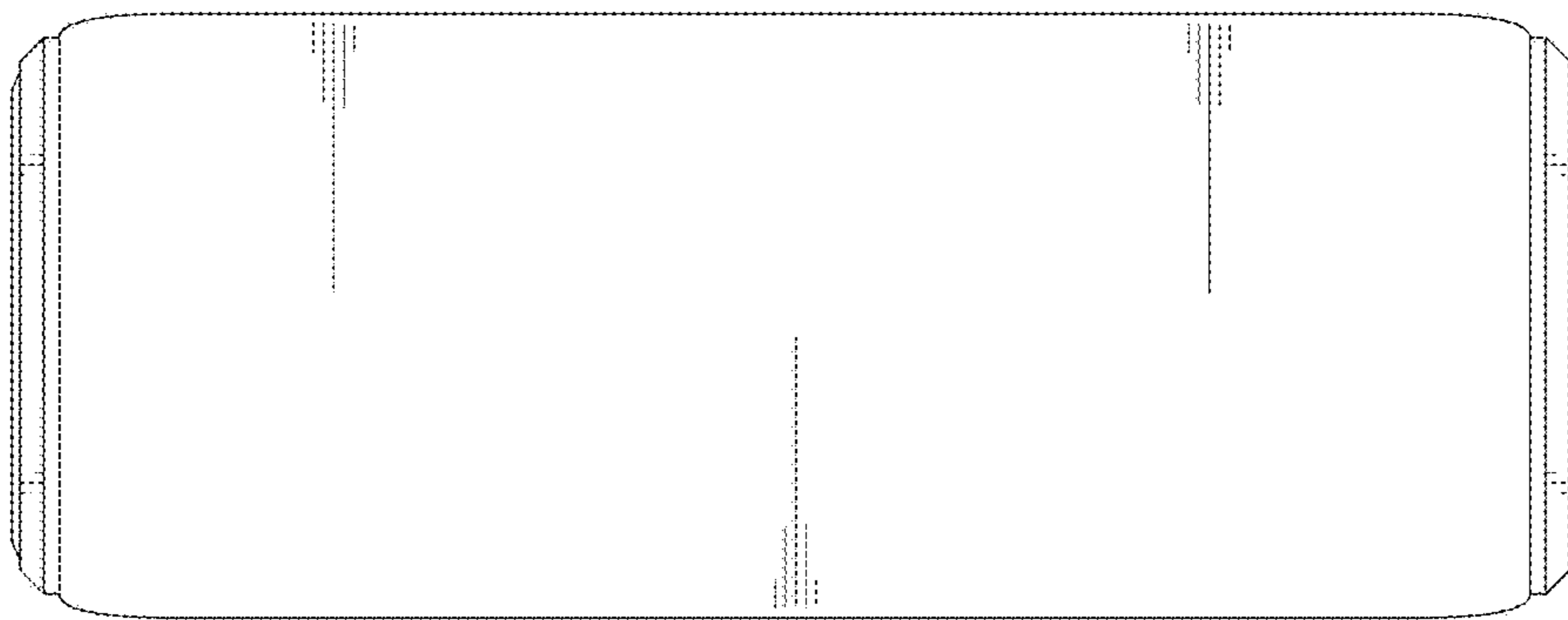




FIG. 8

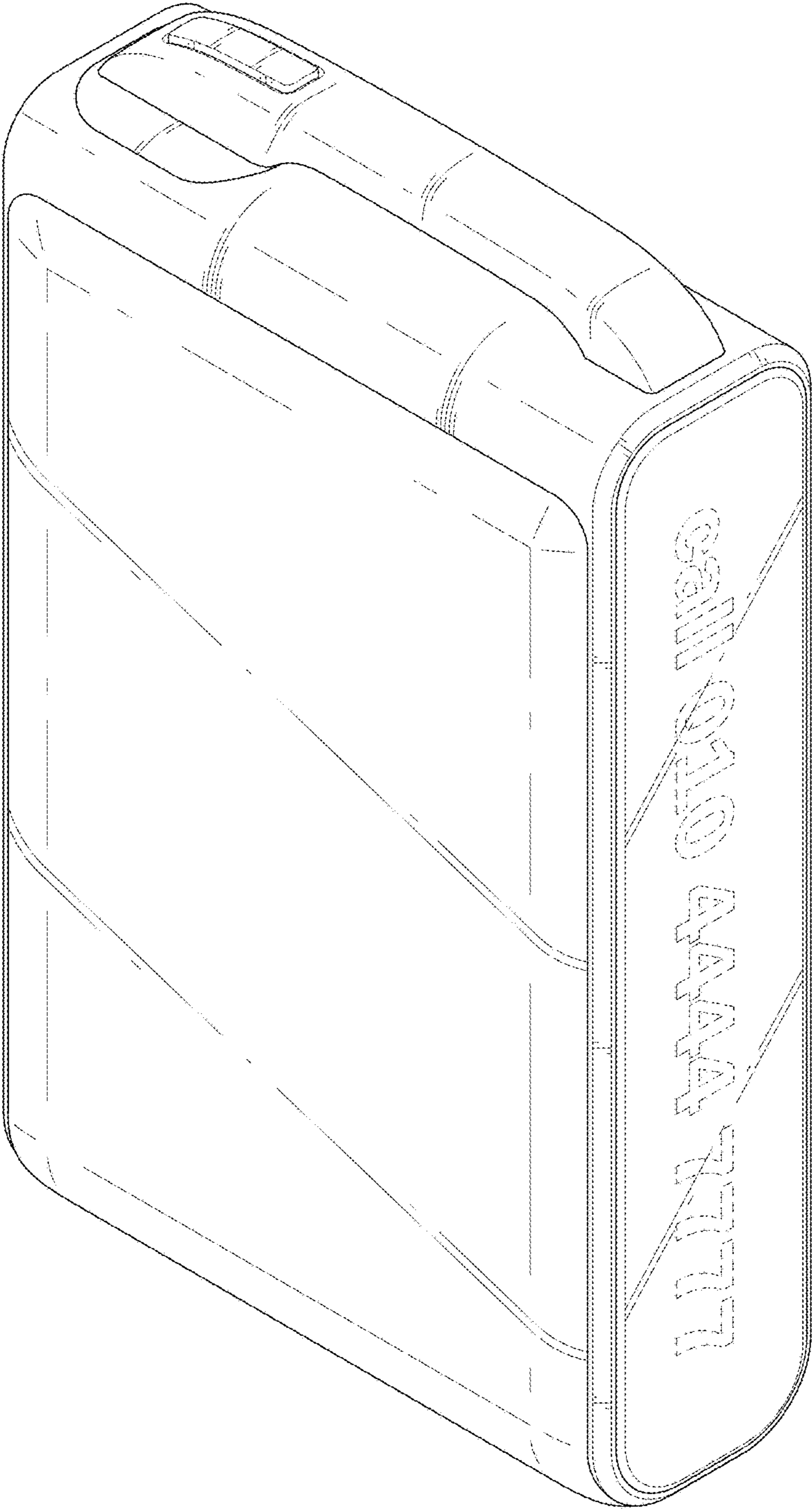


FIG. 9

