



US00D773403S

(12) **United States Design Patent** (10) **Patent No.:** **US D773,403 S**
Shang et al. (45) **Date of Patent:** **** Dec. 6, 2016**

(54) **EMBEDDED POLE FOR A MEDIUM VOLTAGE SWITCH**
(71) Applicant: **ABB TECHNOLOGY AG**, Zürich (CH)
(72) Inventors: **Wenkai Shang**, Ratingen (DE); **Dietmar Gentsch**, Ratingen (DE); **Amol Jadhav**, Parbhani (IN); **Vasantha Kumar**, Nasik (IN); **Dukkaiappan Subbiah Thevar**, Nasik (IN); **V. Ramesh**, Nasik (IN)
(**) Term: **15 Years**
(21) Appl. No.: **35/500,345**
(22) Filed: **Jun. 15, 2015**
(80) **Hague Agreement Data**
Int. Filing Date: **Jun. 15, 2015**
Int. Reg. No.: **DM/088379**
Int. Reg. Date: **Jun. 15, 2015**
Int. Reg. Pub. Date: **Dec. 11, 2015**

(51) **LOC (10) Cl.** **13-03**
(52) **U.S. Cl.**
CPC **H01H 31/003** (2013.01)
USPC **D13/158**
(58) **Field of Classification Search**
USPC D13/120, 158, 160, 184, 199; 218/118, 218/119, 7, 78, 79, 2, 102; 251/172; 361/605, 612
CPC H01H 31/003; H01H 33/6606; H01H 2033/6613; H01H 2033/6623; H01H 33/66207; H01H 1/5822; H01H 33/022; H01H 33/127; H01H 33/16; H01H 33/6661; H01H 33/6664; H01H 9/102; H01H 13/702
See application file for complete search history.

(56) **References Cited**
U.S. PATENT DOCUMENTS
D159,112 S * 6/1950 Van Ryan D13/160
D163,986 S * 7/1951 Baker et al. D13/160

D256,353 S * 8/1980 Evans D13/160
D285,434 S * 9/1986 Panas D13/160
D312,071 S * 11/1990 Urbanek D13/160
D320,977 S * 10/1991 Biller D13/160
D321,170 S * 10/1991 Ramos D13/160
D321,508 S * 11/1991 Ramos D13/160
D520,959 S * 5/2006 Nagai D13/158
D554,592 S * 11/2007 Mildes D13/158
D556,696 S * 12/2007 Ruemenapp D13/158
D558,147 S * 12/2007 Ruemenapp D13/158
D558,148 S * 12/2007 Ruemenapp D13/160
D558,149 S * 12/2007 Ruemenapp D13/160
D583,332 S * 12/2008 Shang D13/158
D651,181 S * 12/2011 Schreiber D13/158
D658,133 S * 4/2012 Shang D13/158
D658,589 S * 5/2012 Shang D13/158
D660,253 S * 5/2012 Gentsch D13/158
D692,839 S * 11/2013 Shang D13/158
D698,321 S * 1/2014 Arioka D13/160
D715,229 S * 10/2014 Klaska D13/158
D719,104 S * 12/2014 Klaska D13/158
D726,126 S * 4/2015 Rizzi D13/158
D730,843 S * 6/2015 Yumoto D13/158
D731,439 S * 6/2015 Yumoto D13/158
D760,174 S * 6/2016 Rizzi D13/158
2005/0150869 A1 * 7/2005 Vaghini H01H 33/6661
218/118

* cited by examiner

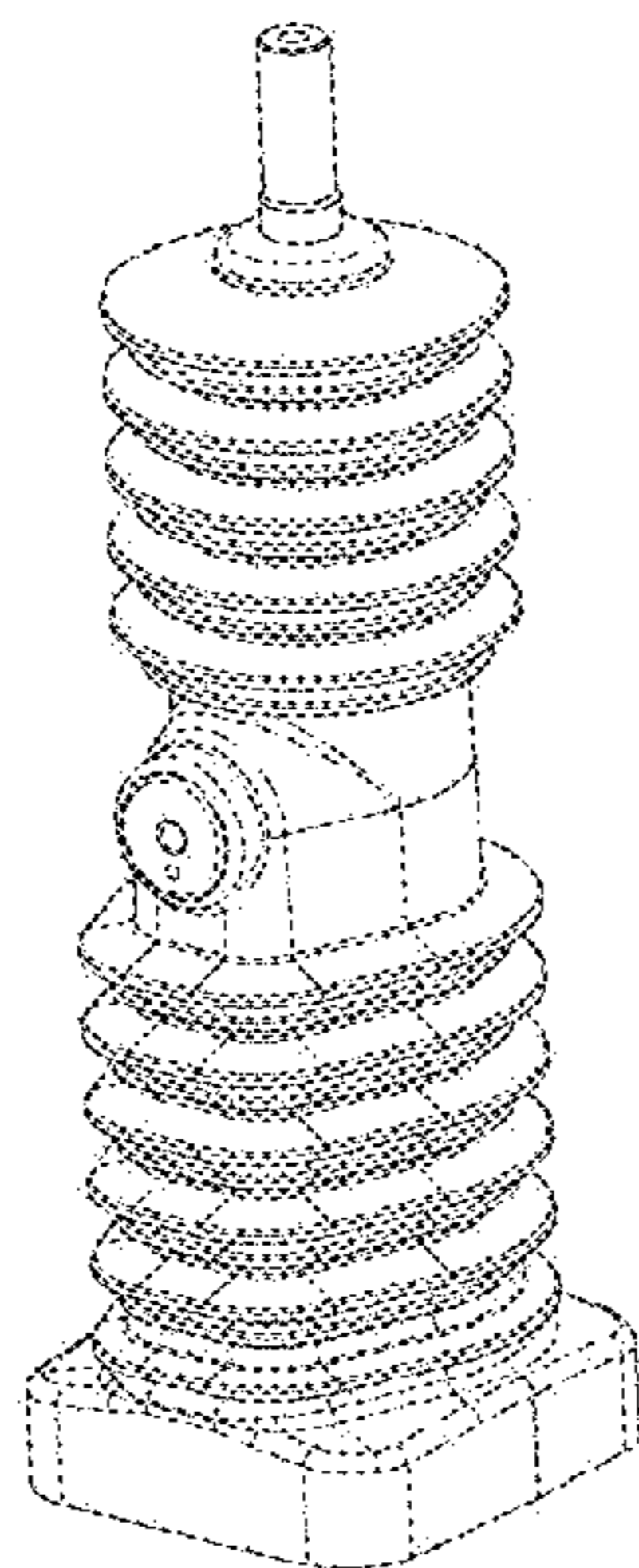
Primary Examiner — Richard E Chilcot

(57) **CLAIM**
The ornamental design for an embedded pole for a medium voltage switch, as shown and described.

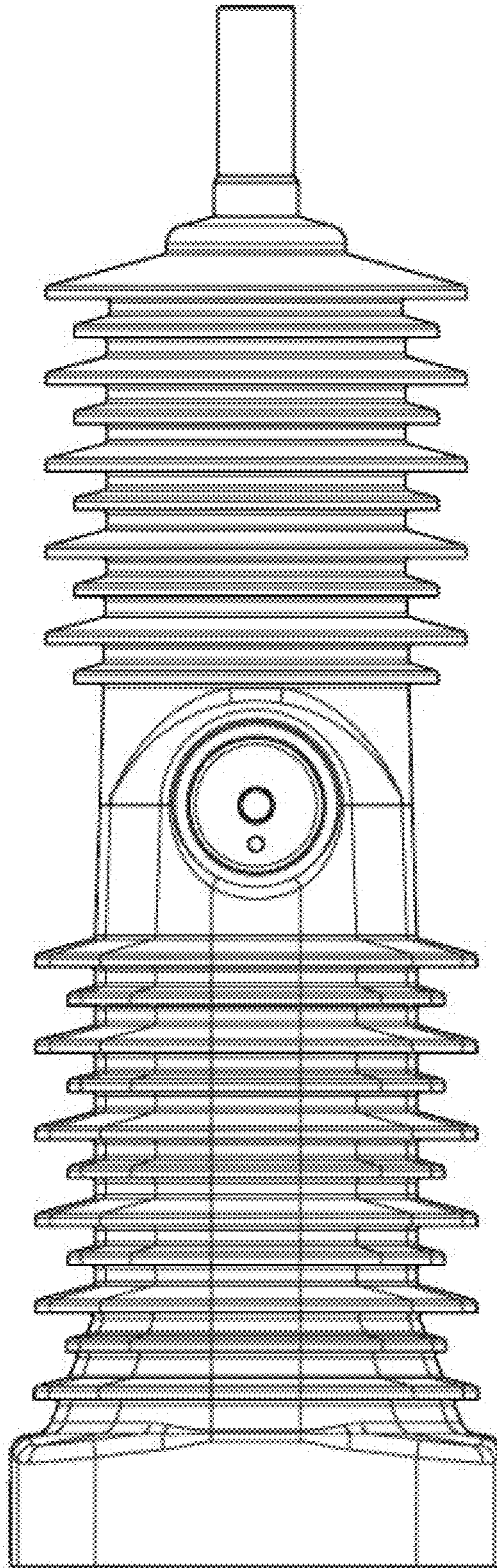
DESCRIPTION

- 1. Electric switch
- 1.1 : Front
- 1.2 : Left
- 1.3 : Perspective
- 1.4 : Top
- 1.5 : Right
- 1.6 : Bottom

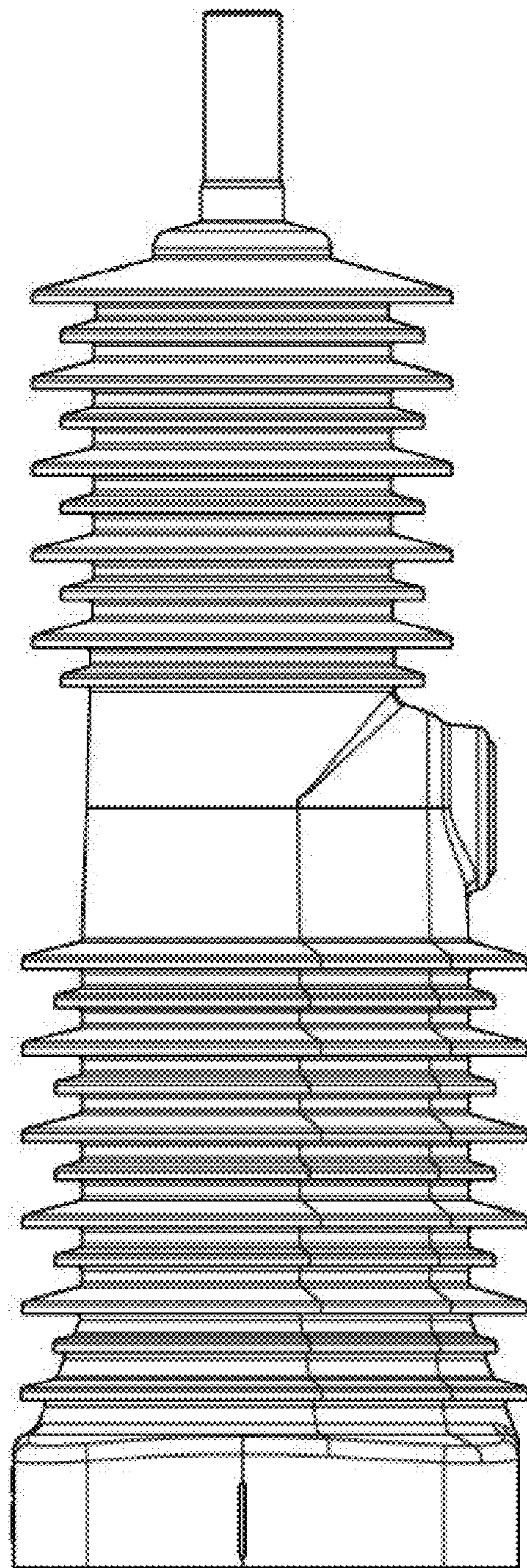
1 Claim, 6 Drawing Sheets



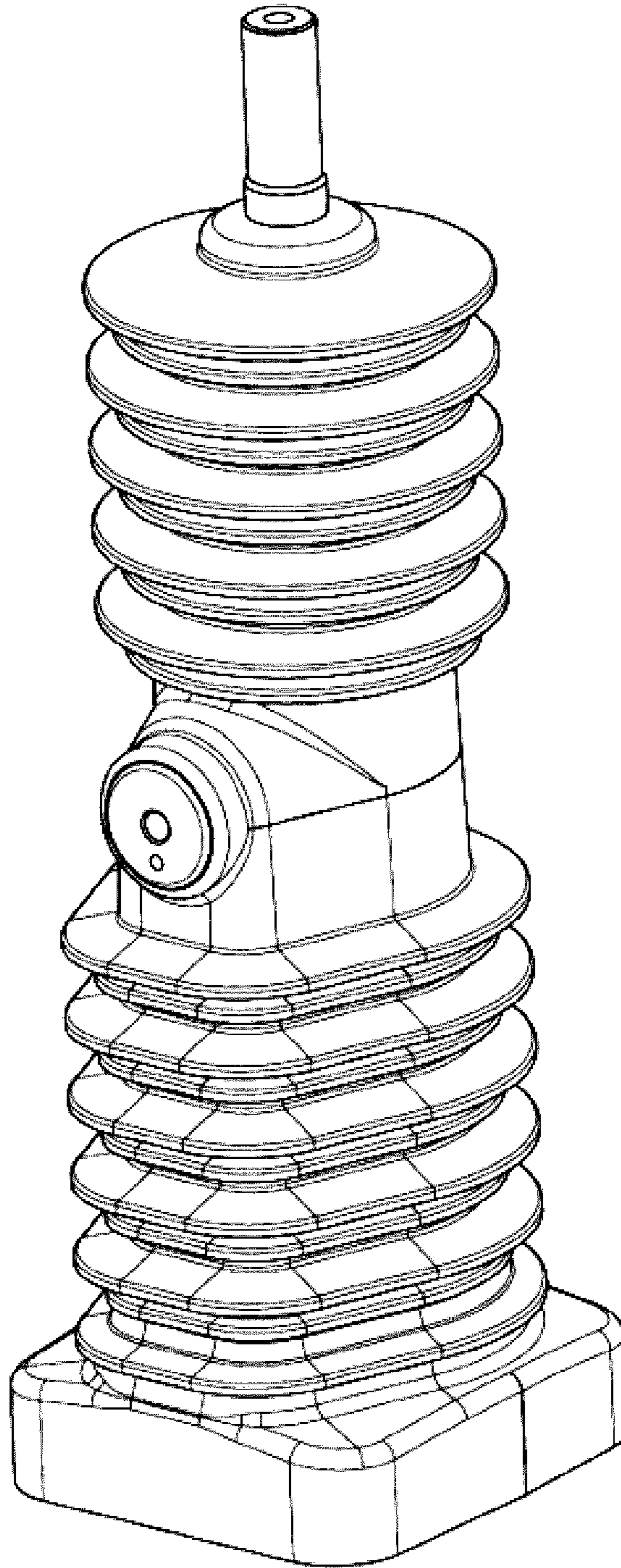
1.1



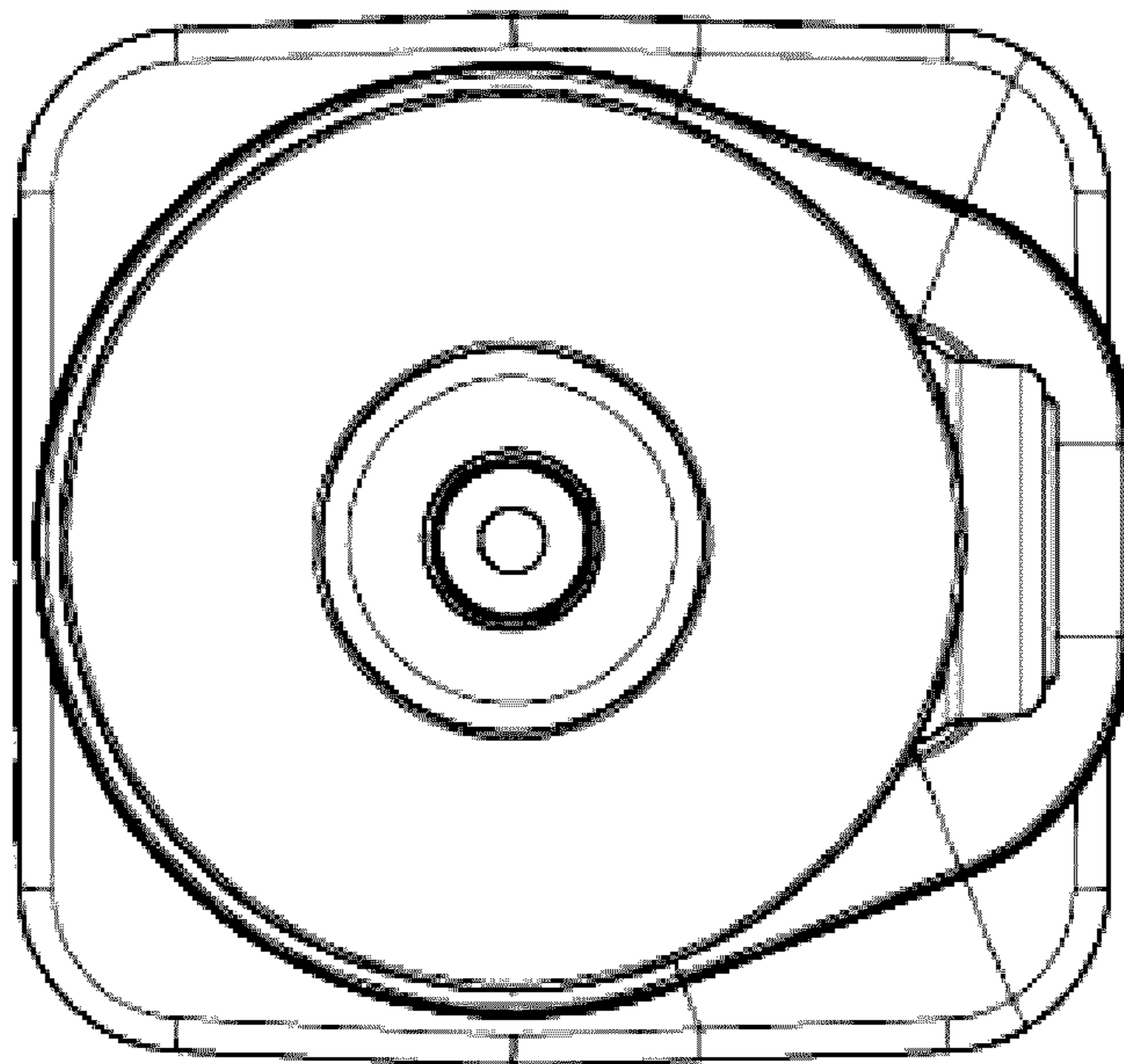
1.2



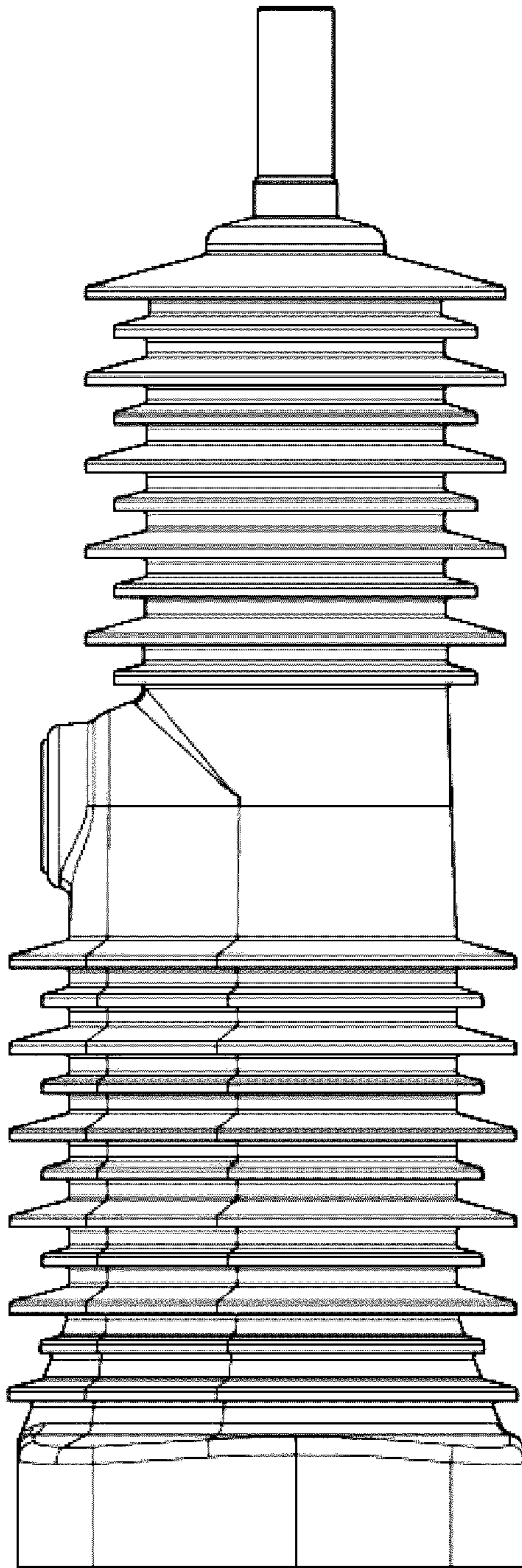
1.3



1.4



1.5



1.6

