



US00D773402S

(12) **United States Design Patent** (10) **Patent No.:** **US D773,402 S**
Sasano (45) **Date of Patent:** **** Dec. 6, 2016**

(54) **TERMINAL BLOCK**

(71) Applicant: **OMRON Corporation**, Kyoto-shi,
Kyoto (JP)

(72) Inventor: **Naoya Sasano**, Hachioji (JP)

(73) Assignee: **OMRON CORPORATION**, Kyoto
(JP)

(**) Term: **14 Years**

(21) Appl. No.: **29/512,239**

(22) Filed: **Dec. 17, 2014**

(30) **Foreign Application Priority Data**

Jun. 20, 2014 (JP) 2014-013530

(51) **LOC (10) CL.** **13-03**

(52) **U.S. Cl.**
USPC **D13/154; D13/146**

(58) **Field of Classification Search**
USPC D13/133, 146, 147, 154, 184, 199
CPC H01R 9/09; H01R 9/091; H01R 9/098;
H01R 9/22; H01R 9/24; H01R 9/2408;
H01R 9/2691; H01R 9/28
See application file for complete search history.

(56) **References Cited**

U.S. PATENT DOCUMENTS

D543,943 S * 6/2007 Sugita D13/147
D667,790 S * 9/2012 Osaki D13/120

D696,208 S * 12/2013 Ling D13/159
D750,023 S * 2/2016 Sasano D13/146
2014/0305693 A1 * 10/2014 Greenberg H02G 3/08
174/559

* cited by examiner

Primary Examiner — Daniel Bui

(74) *Attorney, Agent, or Firm* — Harness, Dickey &
Pierce, P.L.C.

(57) **CLAIM**

The ornamental design for a terminal block, as shown and described.

DESCRIPTION

FIG. 1 is a top, front and left side perspective view of a terminal block showing my new design;
FIG. 2 is a top, front and right side perspective view thereof;
FIG. 3 is a front elevational view thereof;
FIG. 4 is a rear elevational view thereof;
FIG. 5 is a left side view thereof;
FIG. 6 is a right side view thereof;
FIG. 7 is a top plan view thereof; and,
FIG. 8 is a bottom plan view thereof.
The broken lines depict environmental subject matter only and form no part of the claimed design.

1 Claim, 3 Drawing Sheets

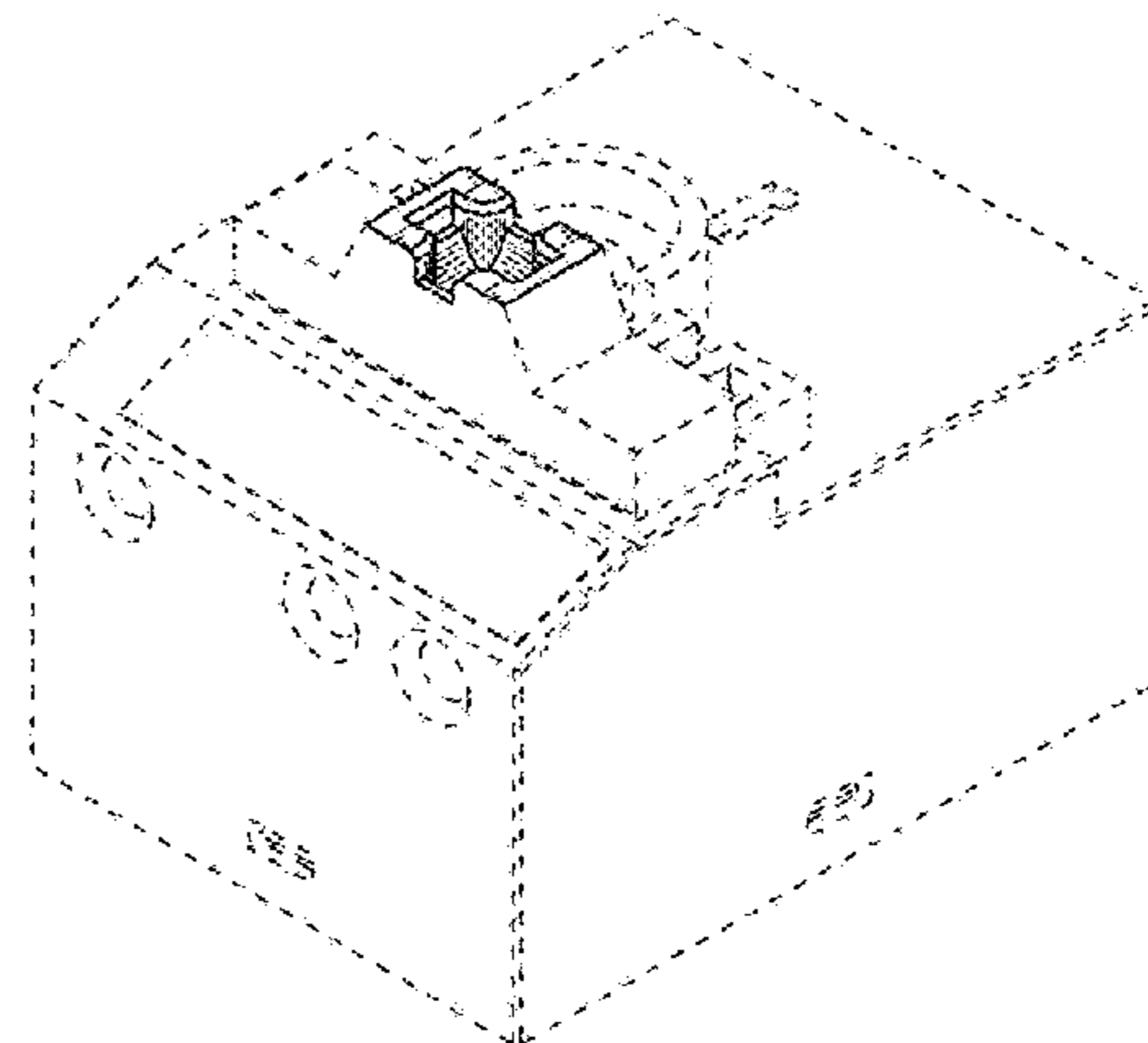
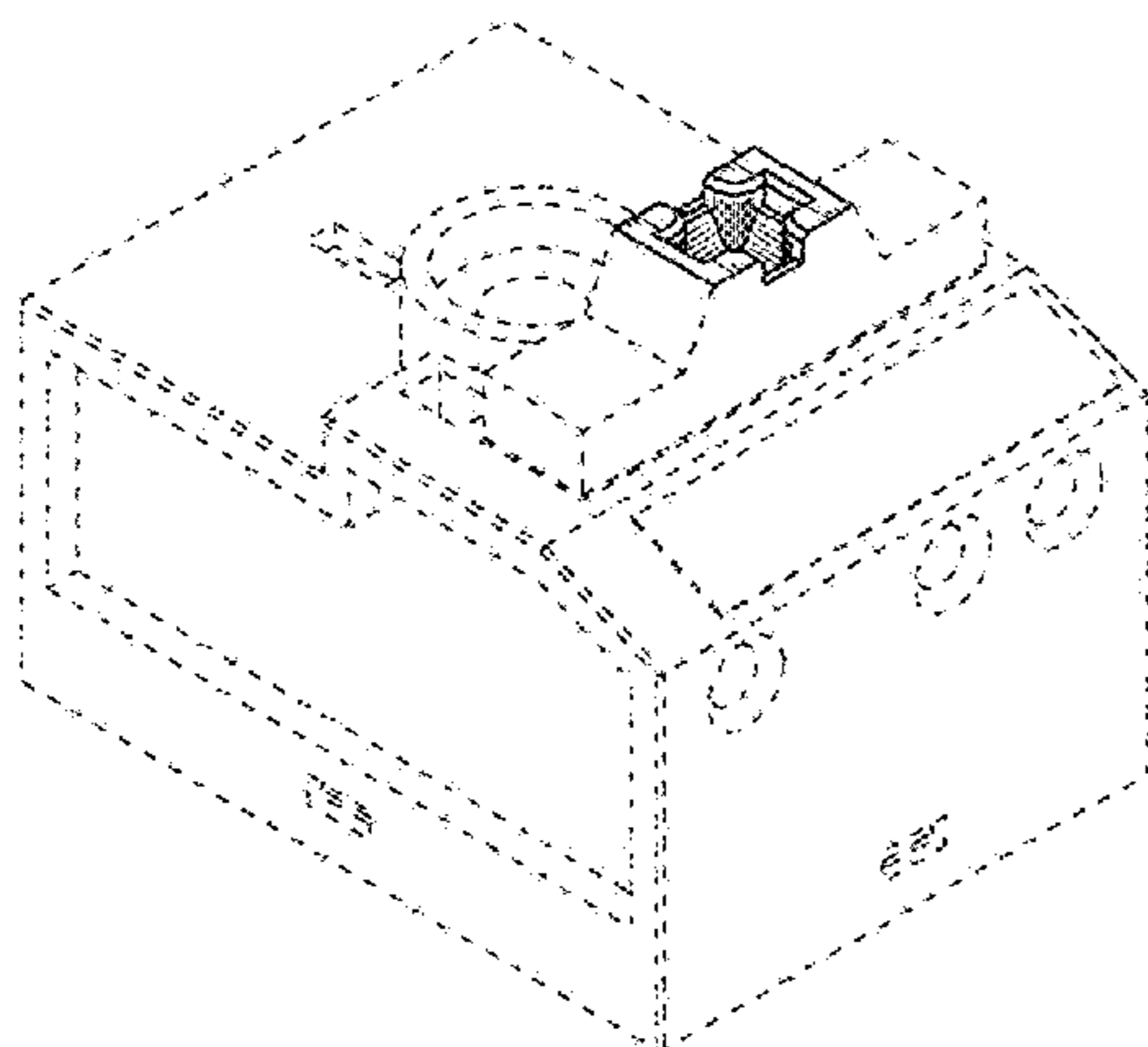


Fig. 1

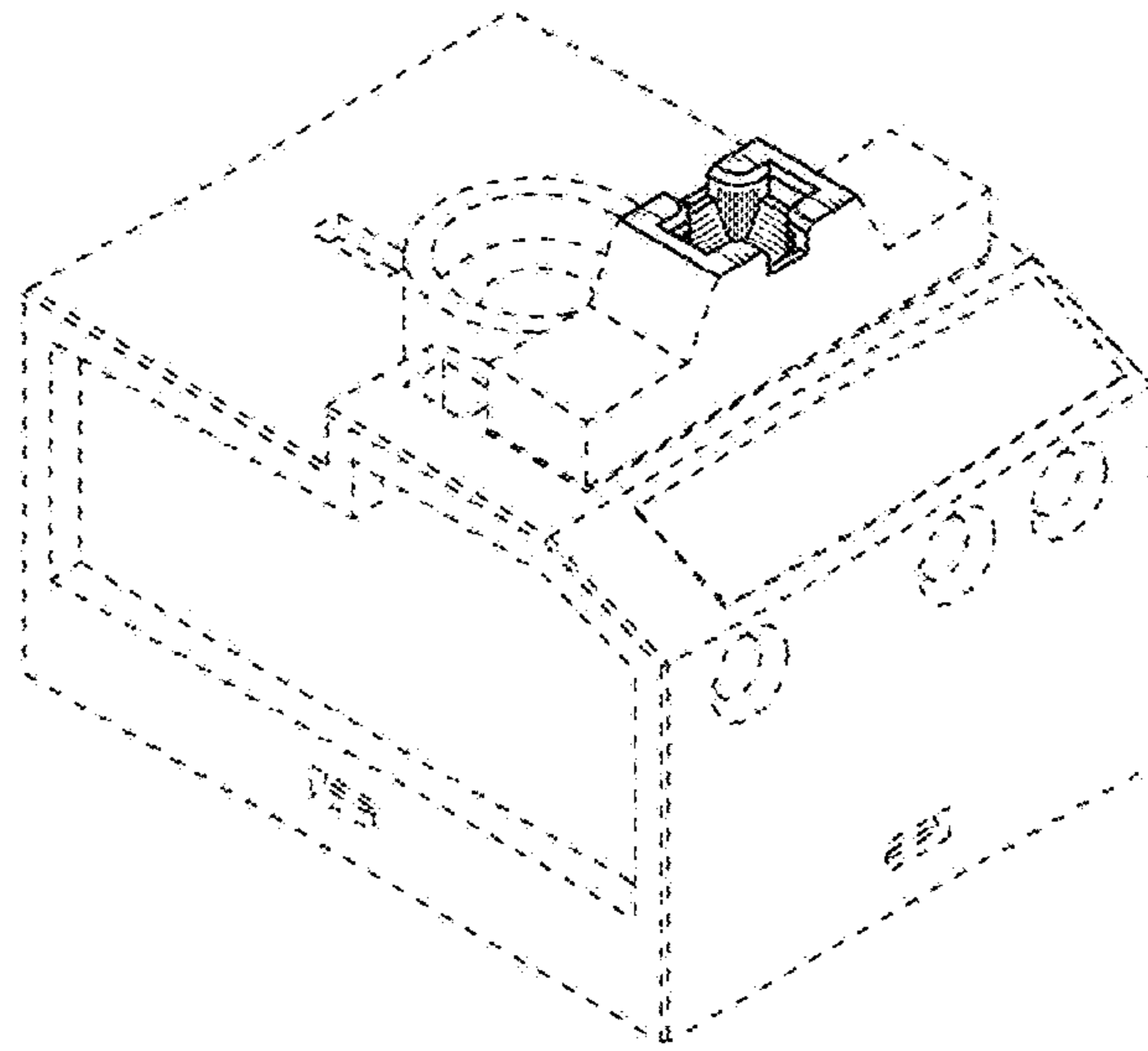


Fig. 2

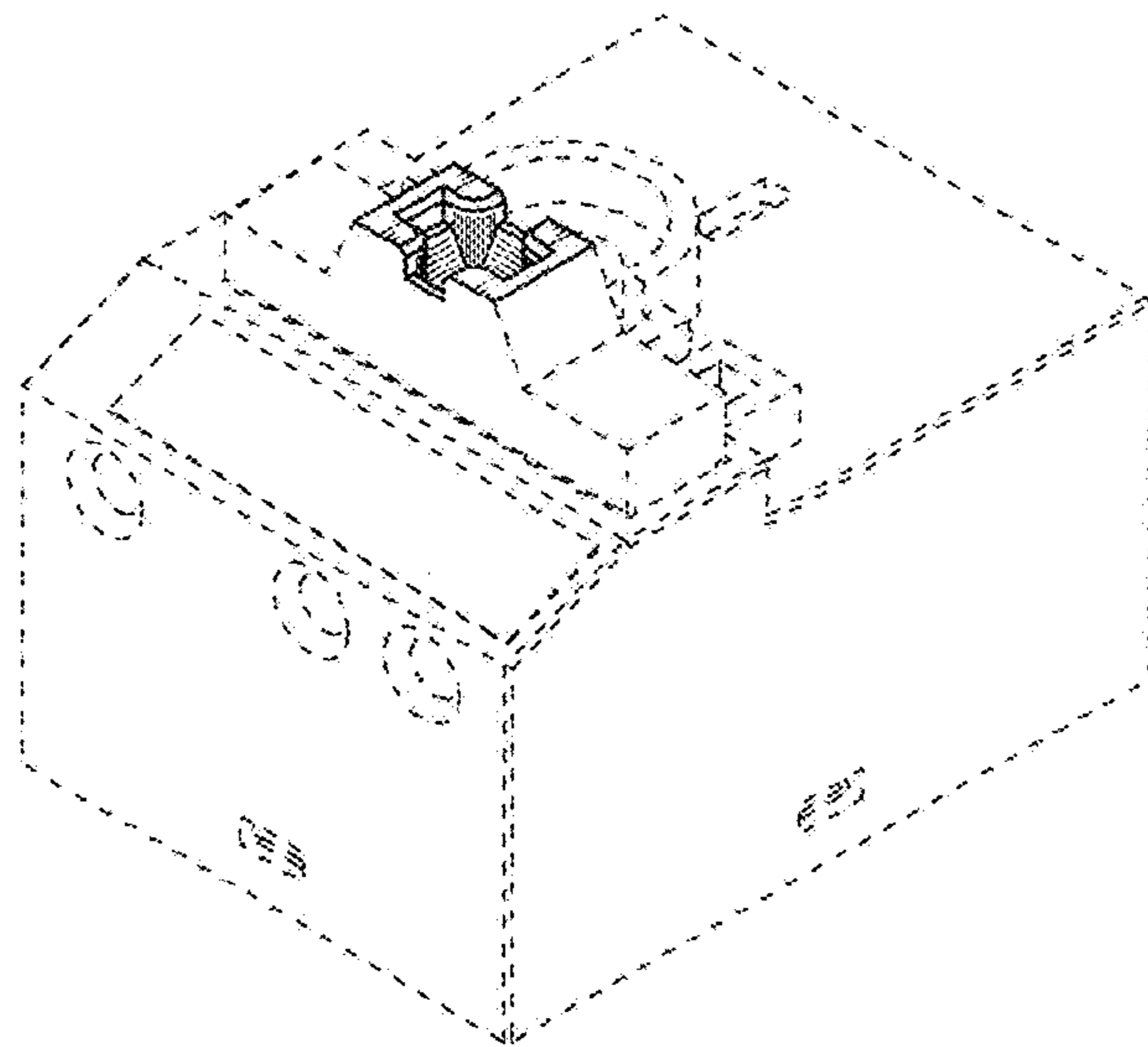


Fig. 3

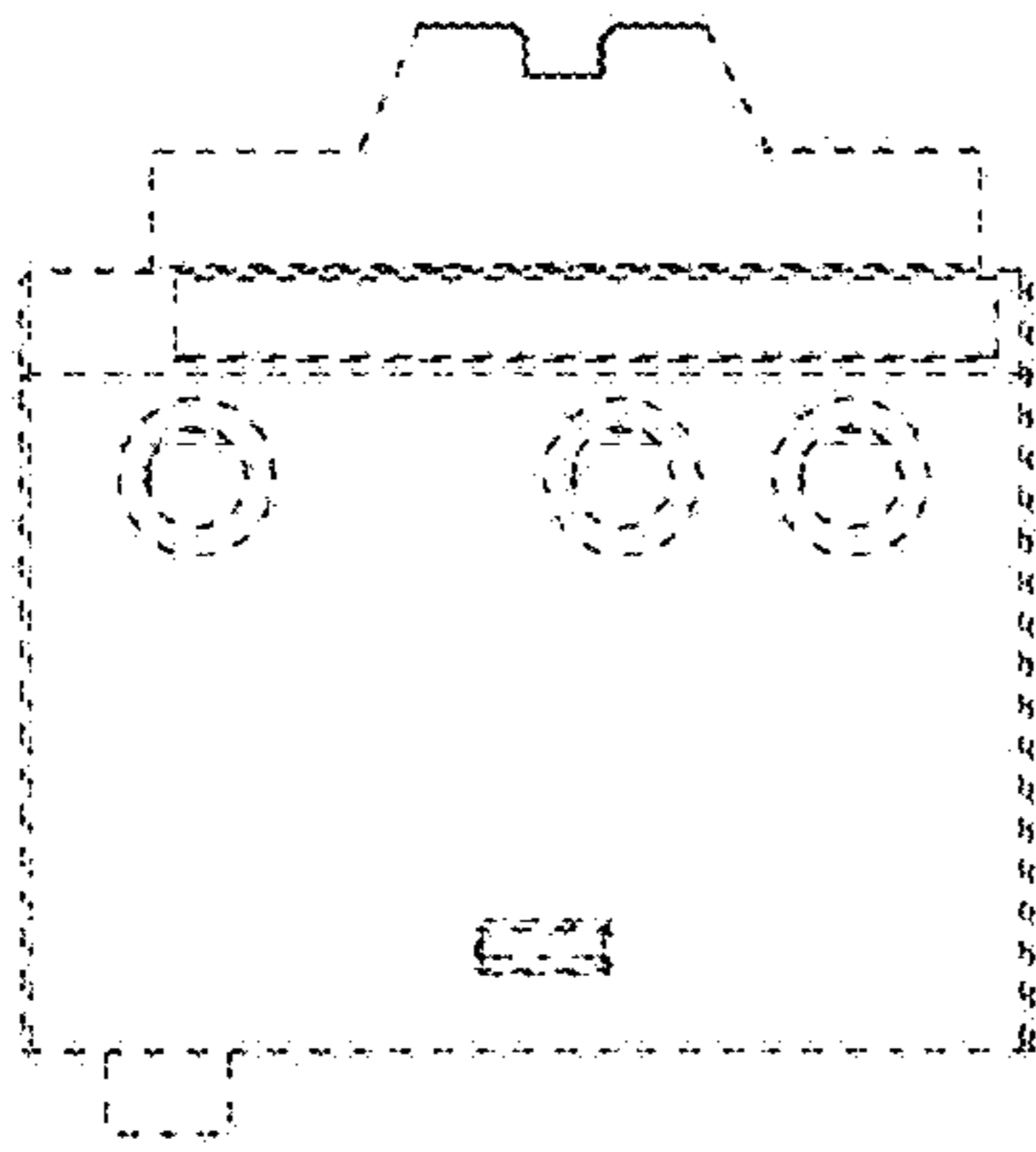


Fig. 4

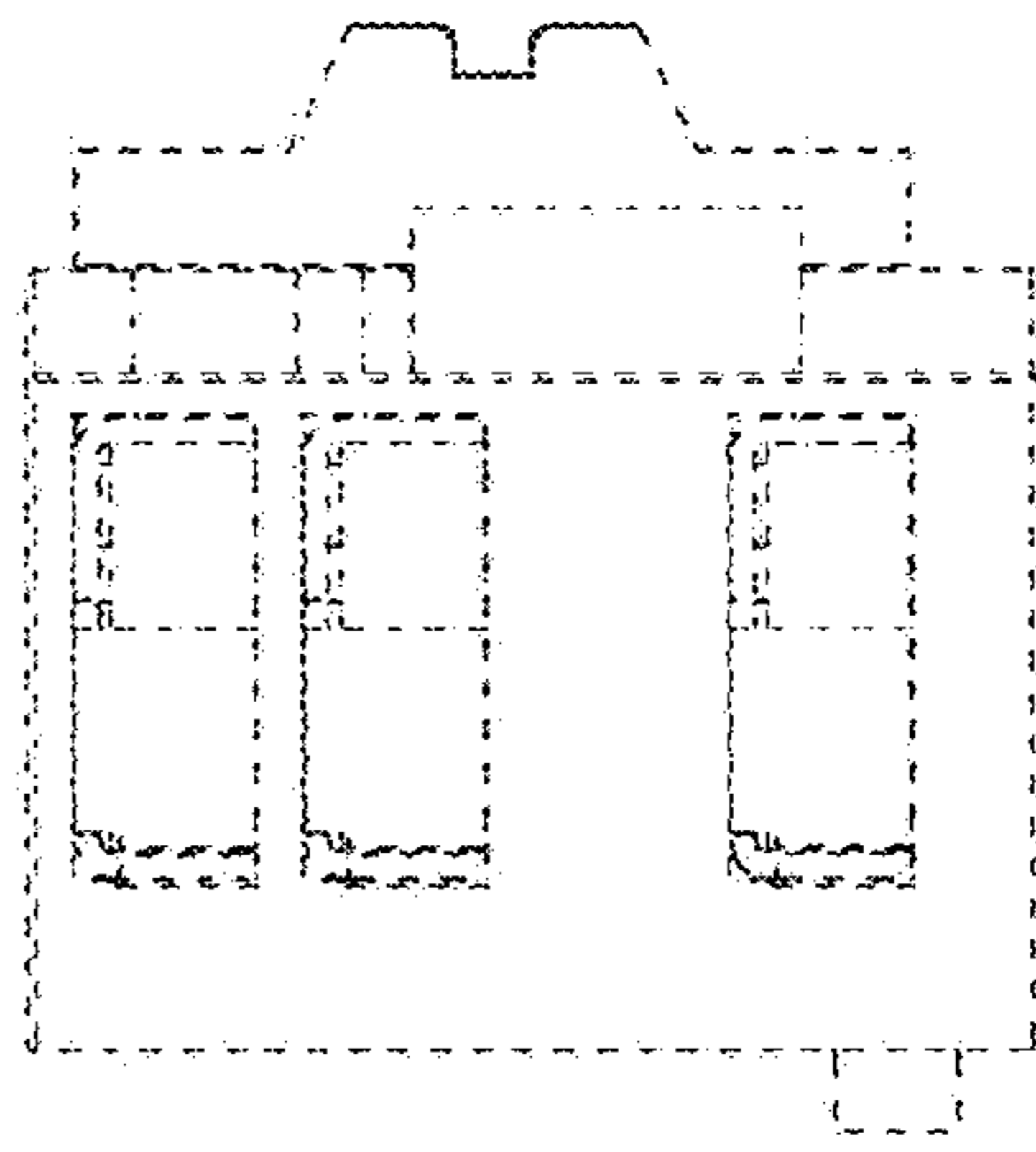


Fig. 5

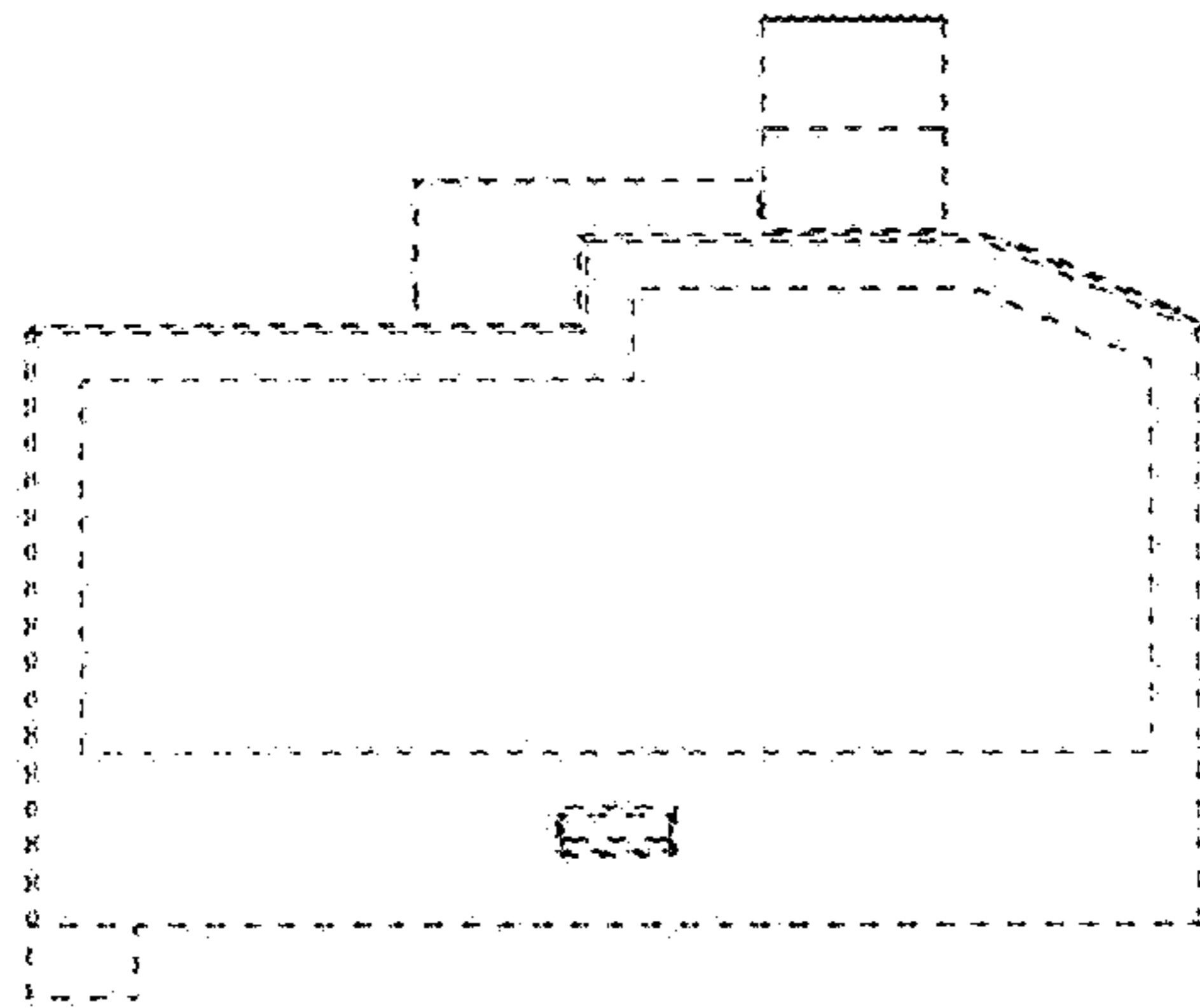


Fig. 6

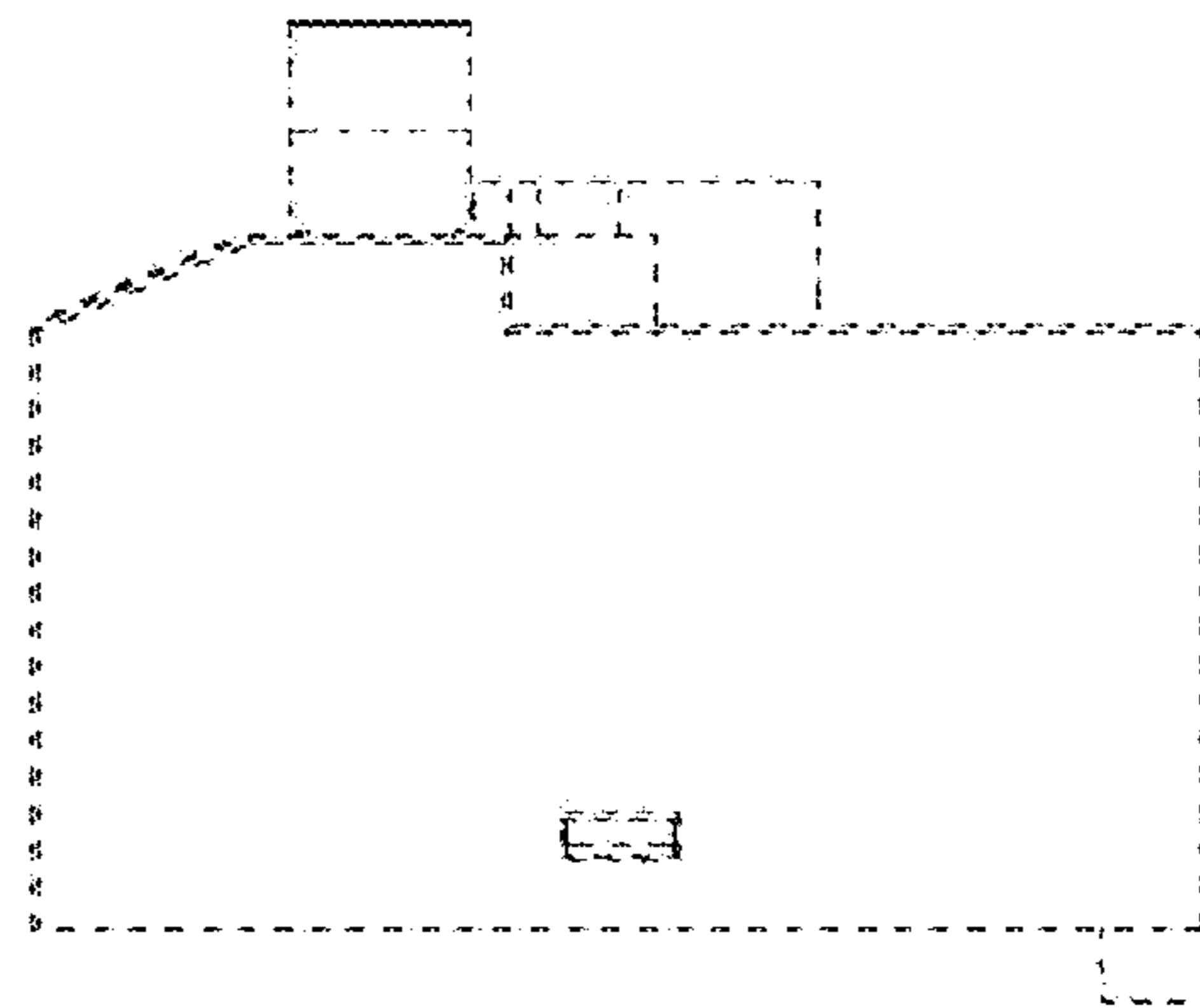


Fig. 7

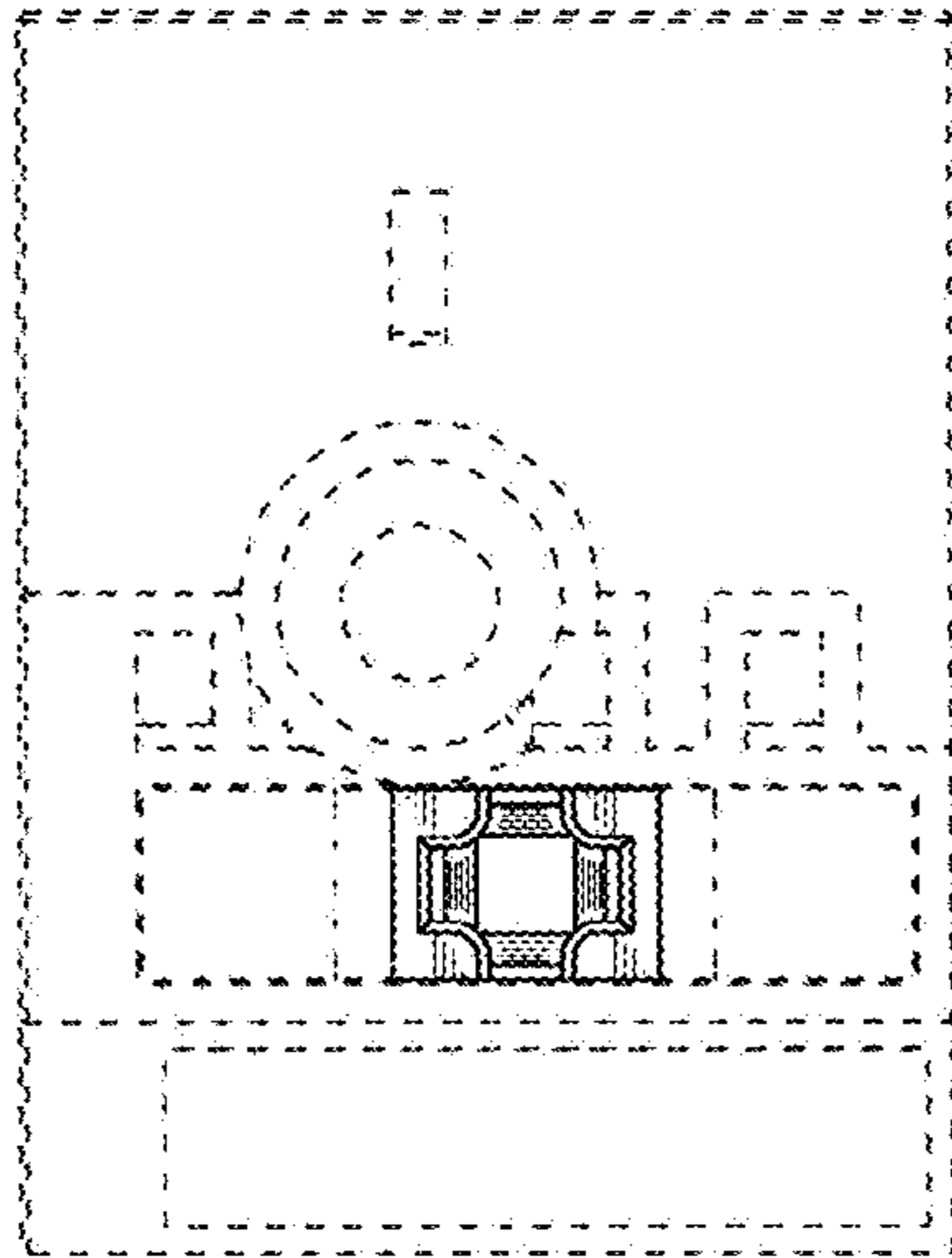


Fig. 8

