



US00D773401S

(12) **United States Design Patent** (10) **Patent No.:** **US D773,401 S**
Koenig (45) **Date of Patent:** **** Dec. 6, 2016**

(54) **ELECTRONIC CABLE**
(71) Applicant: **AP Specialties**, San Clemente, CA (US)
(72) Inventor: **Aaron Koenig**, San Clemente, CA (US)
(73) Assignee: **AP Specialties**, San Clemente, CA (US)
(**) Term: **14 Years**
(21) Appl. No.: **29/521,619**
(22) Filed: **Mar. 25, 2015**
(51) **LOC (10) Cl.** **13-03**
(52) **U.S. Cl.**
USPC **D13/153**
(58) **Field of Classification Search**
USPC D13/153, 107, 123, 128, 130, 132,
133,D13/137.1, 137.2, 137.4, 139.1,
139.3, 139.4,D13/139.6, 139.7, 139.8,
164; D7/300.2; D14/205, 228; D5/99;
174/28, 36, 93, 71 R, 174/102 R, 106 R,
107, 116, 117 F, 121 R, 174/121 SR;
428/592
CPC H01R 13/7036; H02G 3/14; F21S 4/001
See application file for complete search history.

D694,243 S 11/2013 Akana et al.
D699,188 S 2/2014 Akana et al.
D703,145 S 4/2014 Akana et al.
D705,176 S 5/2014 Akana et al.
D705,178 S * 5/2014 Olsson D13/153
D707,680 S 6/2014 Akana et al.
D707,681 S 6/2014 Akana et al.
D713,350 S 9/2014 Akana et al.
D713,351 S 9/2014 Akana et al.
D713,352 S 9/2014 Akana et al.
D713,353 S 9/2014 Akana et al.
D715,741 S * 10/2014 Dallmeyer D13/146
D716,234 S 10/2014 Tien
D723,474 S * 3/2015 Olsson D13/153
D728,485 S * 5/2015 Rostami D13/153
D743,965 S * 11/2015 Laffon de Mazieres D13/154

(Continued)

FOREIGN PATENT DOCUMENTS

WO 2011150403 A1 12/2011
Primary Examiner — Wan Laymon
Assistant Examiner — Mark Booker
(74) *Attorney, Agent, or Firm* — Lerner, David,
Littenberg, Krumholz & Mentlik, LLP

(57) **CLAIM**

The ornamental design for an electronic cable, as shown and described.

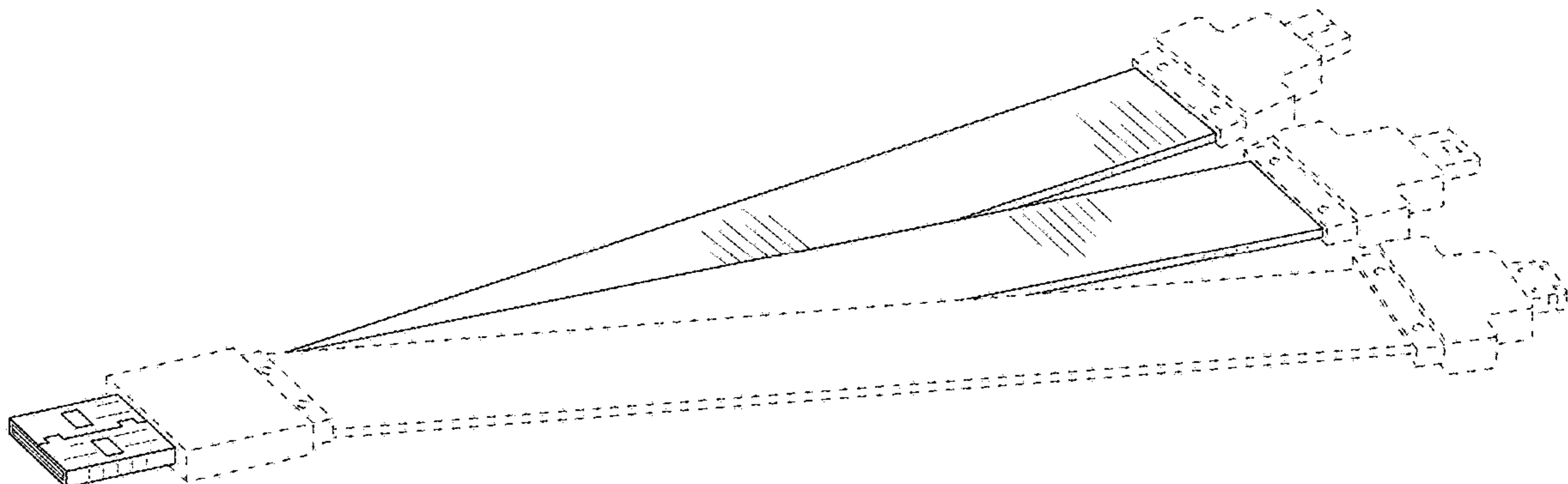
DESCRIPTION

FIG. 1 is a perspective view of an electronic cable showing my design;
FIG. 2 is a right side view thereof;
FIG. 3 is a left side view thereof;
FIG. 4 is a front side view thereof;
FIG. 5 is a back side view thereof;
FIG. 6 is a top view thereof; and,
FIG. 7 is a bottom view thereof.
The broken lines shown in the drawings represent portions of the electronic cable that form no part of the claimed design.

1 Claim, 3 Drawing Sheets

(56) **References Cited**
U.S. PATENT DOCUMENTS

D352,274 S * 11/1994 Daleo D13/153
D436,927 S * 1/2001 Hogan D13/147
D548,700 S * 8/2007 Ledbetter D13/147
D583,320 S * 12/2008 Miyamoto D13/133
D583,321 S * 12/2008 Miyamoto D13/133
D586,752 S * 2/2009 Diamond D13/147
D593,954 S * 6/2009 Lee D13/133
D628,537 S * 12/2010 Nagata D13/147
D635,930 S * 4/2011 Li D13/147
D636,337 S * 4/2011 Smith D13/147
D679,656 S * 4/2013 Richards D13/146
D684,539 S 6/2013 Akana et al.
D684,976 S 6/2013 Akana et al.
8,461,465 B2 6/2013 Golko et al.
8,561,879 B2 10/2013 Jol et al.



(56)

References Cited

U.S. PATENT DOCUMENTS

D745,464 S * 12/2015 Koenig D13/147
D745,851 S * 12/2015 Beck D13/153
D757,649 S * 5/2016 Pisharodi D13/107
2014/0136863 A1 5/2014 Fritchman et al.

* cited by examiner

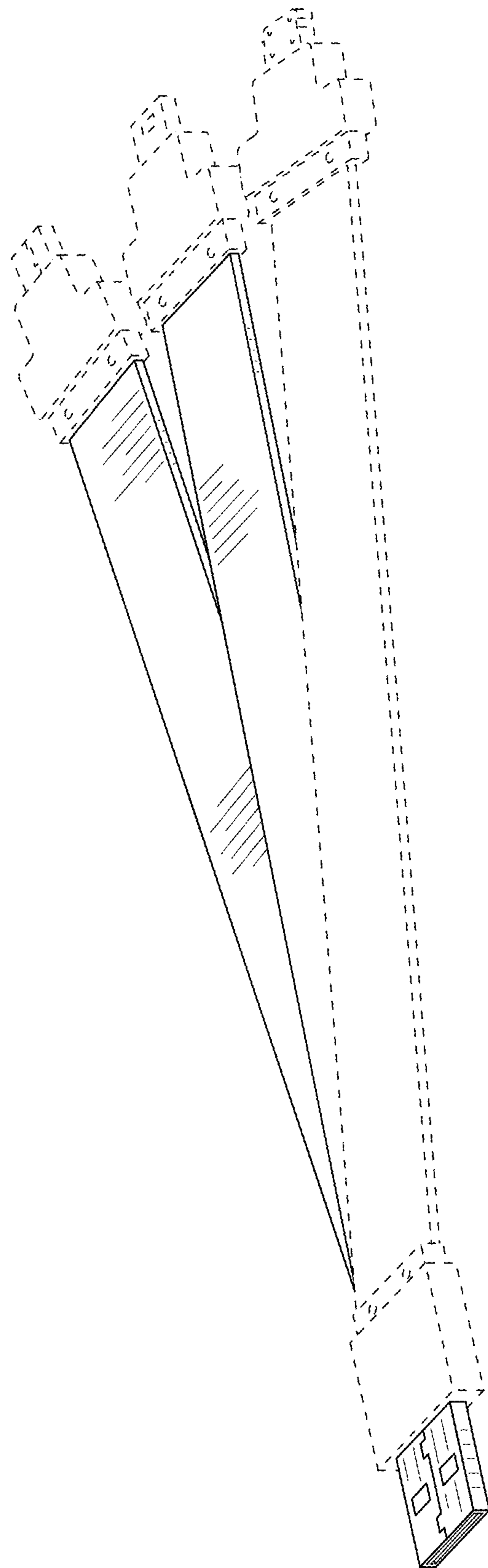


FIG. 1

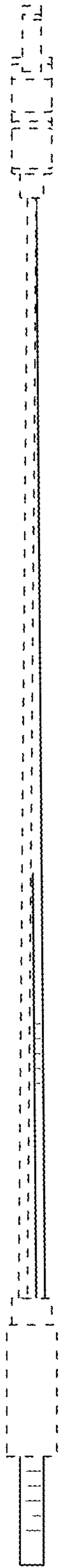


FIG. 2

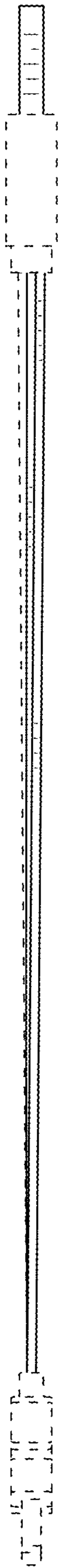


FIG. 3

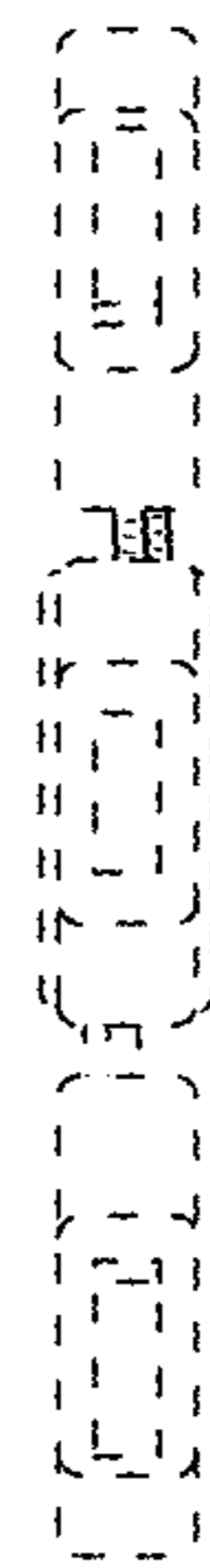


FIG. 4

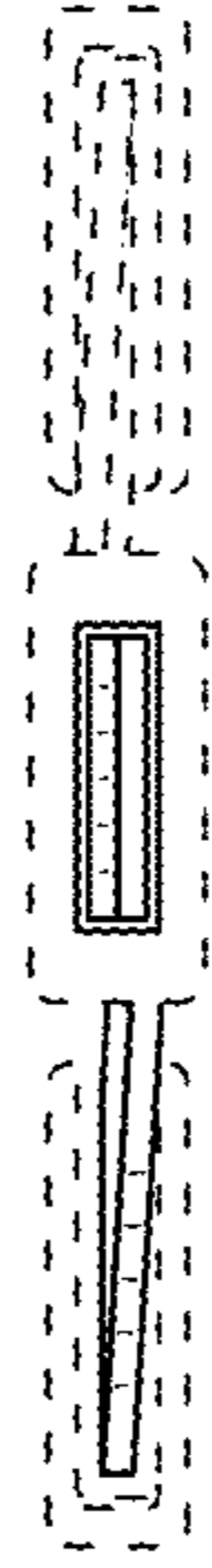


FIG. 5

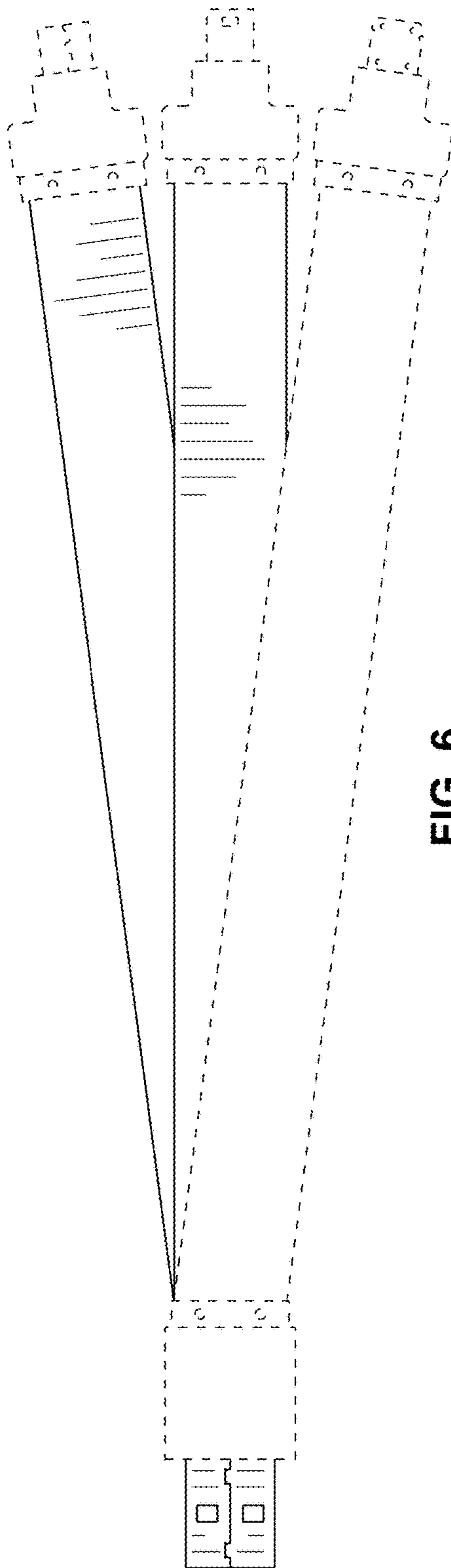


FIG. 6

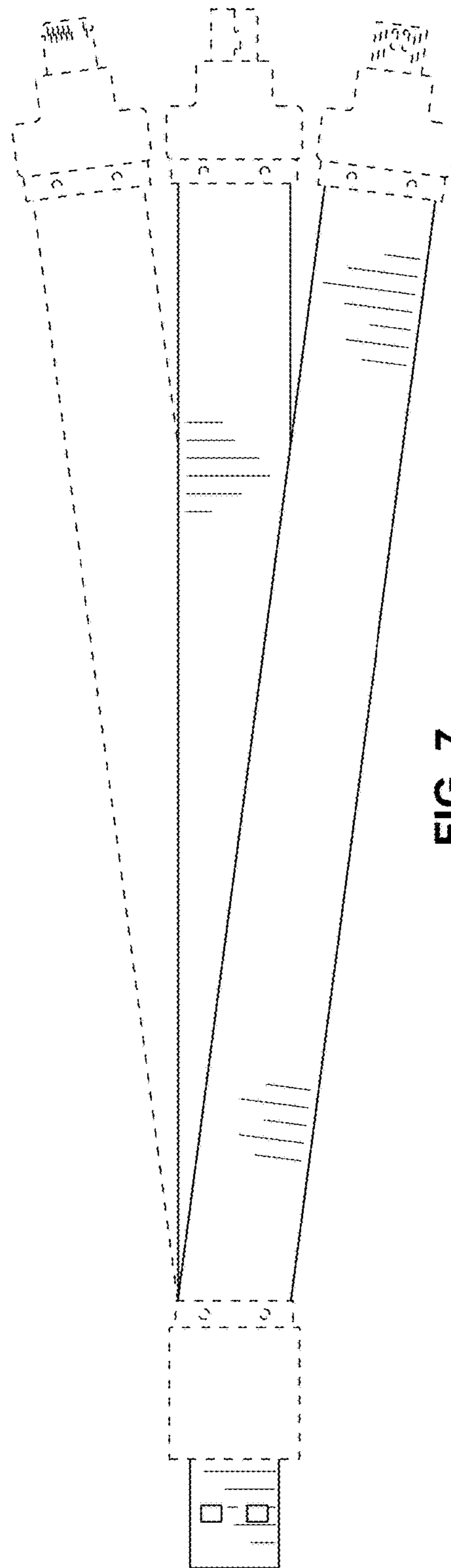


FIG. 7