



US00D773399S

(12) **United States Design Patent**
Geiger

(10) **Patent No.:** **US D773,399 S**

(45) **Date of Patent:** **** Dec. 6, 2016**

(54) **COMMUNICATIONS COLLECTOR**

(71) Applicant: **Franklin Christiaan Geiger**, North Vancouver (CA)

(72) Inventor: **Franklin Christiaan Geiger**, North Vancouver (CA)

(73) Assignee: **Tantalus Systems Corp.**, Burnaby, BC (CA)

(**) Term: **14 Years**

(21) Appl. No.: **29/511,859**

(22) Filed: **Dec. 15, 2014**

(51) **LOC (10) Cl.** **13-03**

(52) **U.S. Cl.**
USPC **D13/152**; D13/103; D14/256

(58) **Field of Classification Search**
USPC D13/102-104, 110, 118-121, 152, 184, D13/199; 429/96-100, 163, 176; D14/240, 256; 174/57-60; D10/99-100
CPC Y02E 60/12; Y02E 60/122; Y02E 60/124; Y02E 60/50; H01M 2/02; H01M 2/022; H01M 2/0202; H01M 2/0207; H01M 2/0212; H01M 2/1061; H01M 2/1022; H01M 2/1055; H01M 2/1066; H01M 2/105; H01M 2/204; H01M 10/4257; H01M 10/0436; H01M 10/48; H05K 5/00; H05K 5/0004; H05K 5/0026; H05K 5/0086
See application file for complete search history.

(56) **References Cited**

U.S. PATENT DOCUMENTS

D188,850 S * 9/1960 Clark D13/152
3,033,913 A * 5/1962 Dietze H02G 3/16
174/50

D274,721 S * 7/1984 Smith D13/152
D336,258 S * 6/1993 Payne, Jr. D10/99
D401,226 S * 11/1998 Inoko D13/151
D409,136 S * 5/1999 Sumita D13/103
5,907,127 A * 5/1999 Daoud H02G 3/14
174/57
D415,098 S * 10/1999 Zimmer D13/103
D415,440 S * 10/1999 Beadsworth D10/99
D421,927 S * 3/2000 Binder D10/103
D437,313 S * 2/2001 Chen D13/152
D463,412 S * 9/2002 Bloemen D14/240
D464,643 S * 10/2002 Hill D13/152
6,831,227 B2 * 12/2004 Weise H02G 3/086
174/135
D507,241 S * 7/2005 Koessler D13/152
D545,765 S * 7/2007 Cockburn D13/147
D556,143 S * 11/2007 Ni D13/152
D556,145 S * 11/2007 Williams D13/152
D577,713 S * 9/2008 Kim D14/218
D604,724 S * 11/2009 Vorreiter D14/240
7,619,162 B2 * 11/2009 Dinh H01R 13/447
174/481
D636,343 S * 4/2011 Leal D13/152

(Continued)

Primary Examiner — Rosemary K Tarcza

(74) *Attorney, Agent, or Firm* — Hancock Hughey LLP

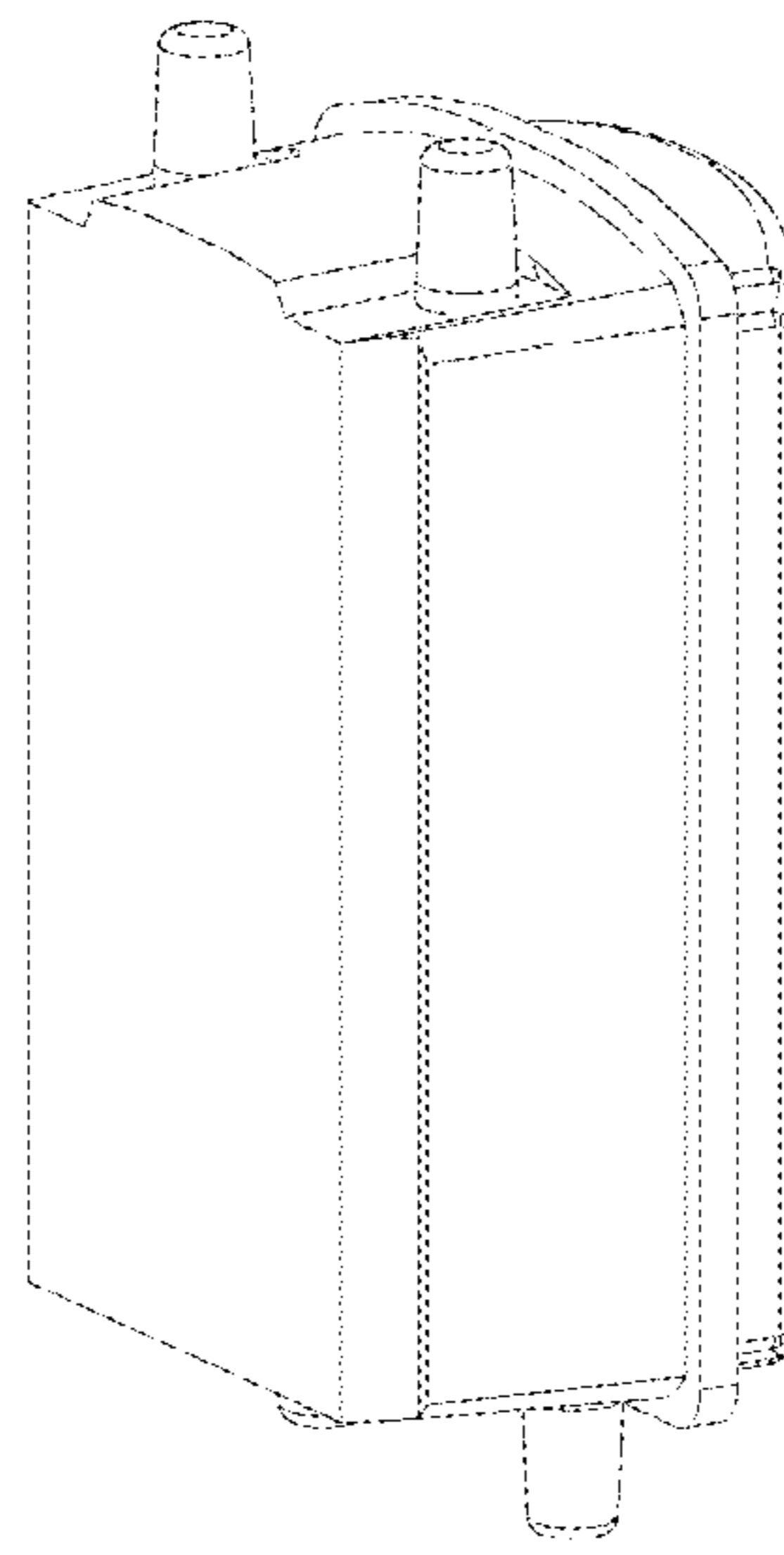
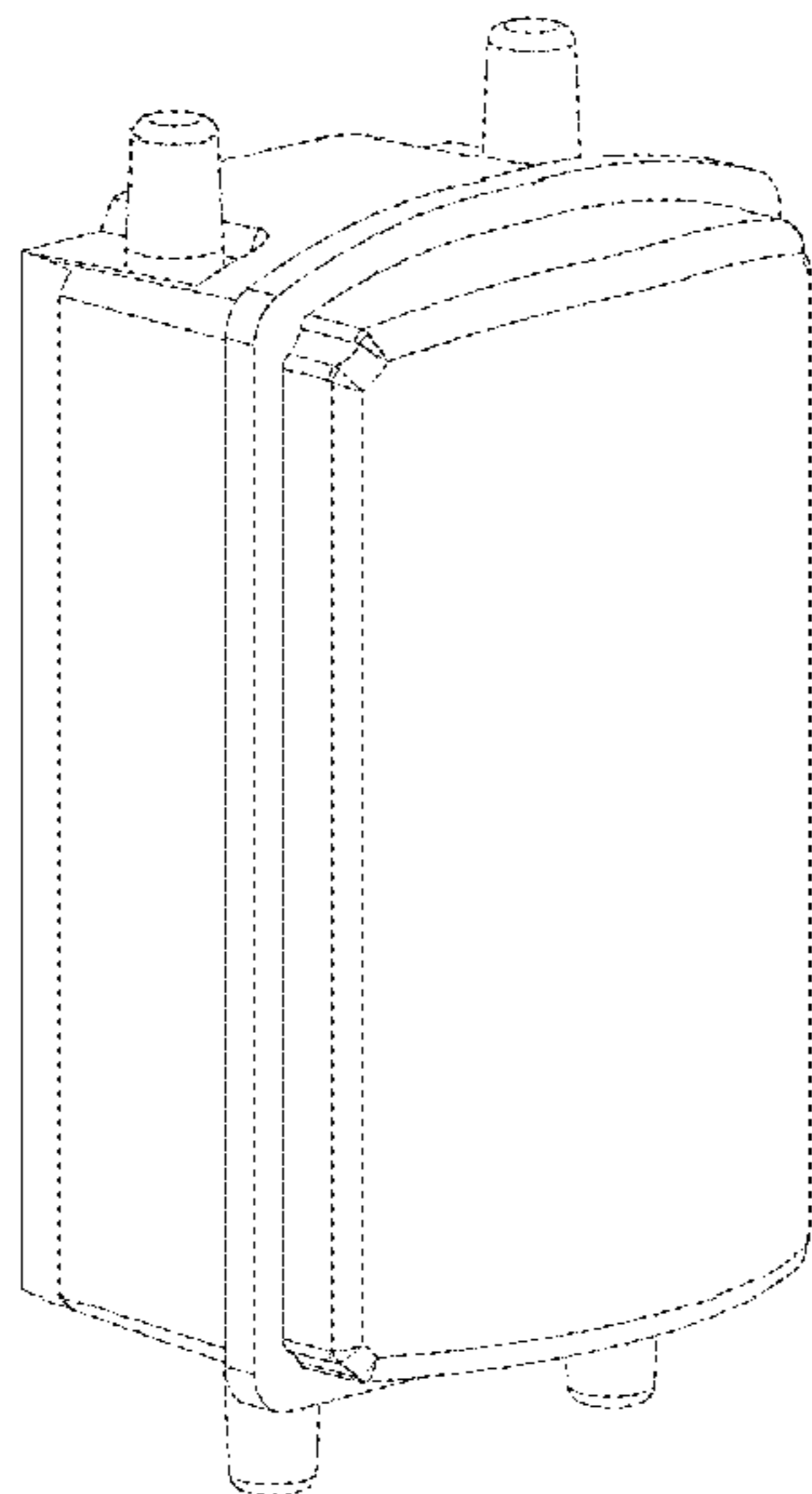
(57) **CLAIM**

The ornamental design for a communications collector, as shown and described.

DESCRIPTION

FIG. 1 is a front elevation view of the collector;
FIG. 2 is a right elevation side view thereof;
FIG. 3 is a top plan view thereof;
FIG. 4 is a bottom plan view thereof;
FIG. 5 is a bottom perspective view thereof;
FIG. 6 is a top perspective view thereof;
FIG. 7 is a front perspective view from the left thereof; and,
FIG. 8 is a back perspective view from the left thereof.

1 Claim, 8 Drawing Sheets



(56)

References Cited

U.S. PATENT DOCUMENTS

D686,995 S * 7/2013 Nikayin D13/152
D688,211 S * 8/2013 Xue D13/152
D711,270 S * 8/2014 McLean D10/100
2009/0178820 A1* 7/2009 Chung H05K 5/0004
174/50
2012/0050971 A1* 3/2012 Seal H05K 5/0004
361/679.02
2013/0329356 A1* 12/2013 Shanbhogue H05K 1/144
361/679.47
2015/0130555 A1* 5/2015 Li H05K 9/0039
333/100
2016/0126714 A1* 5/2016 Hachiya F02M 37/0076
174/99 B

* cited by examiner

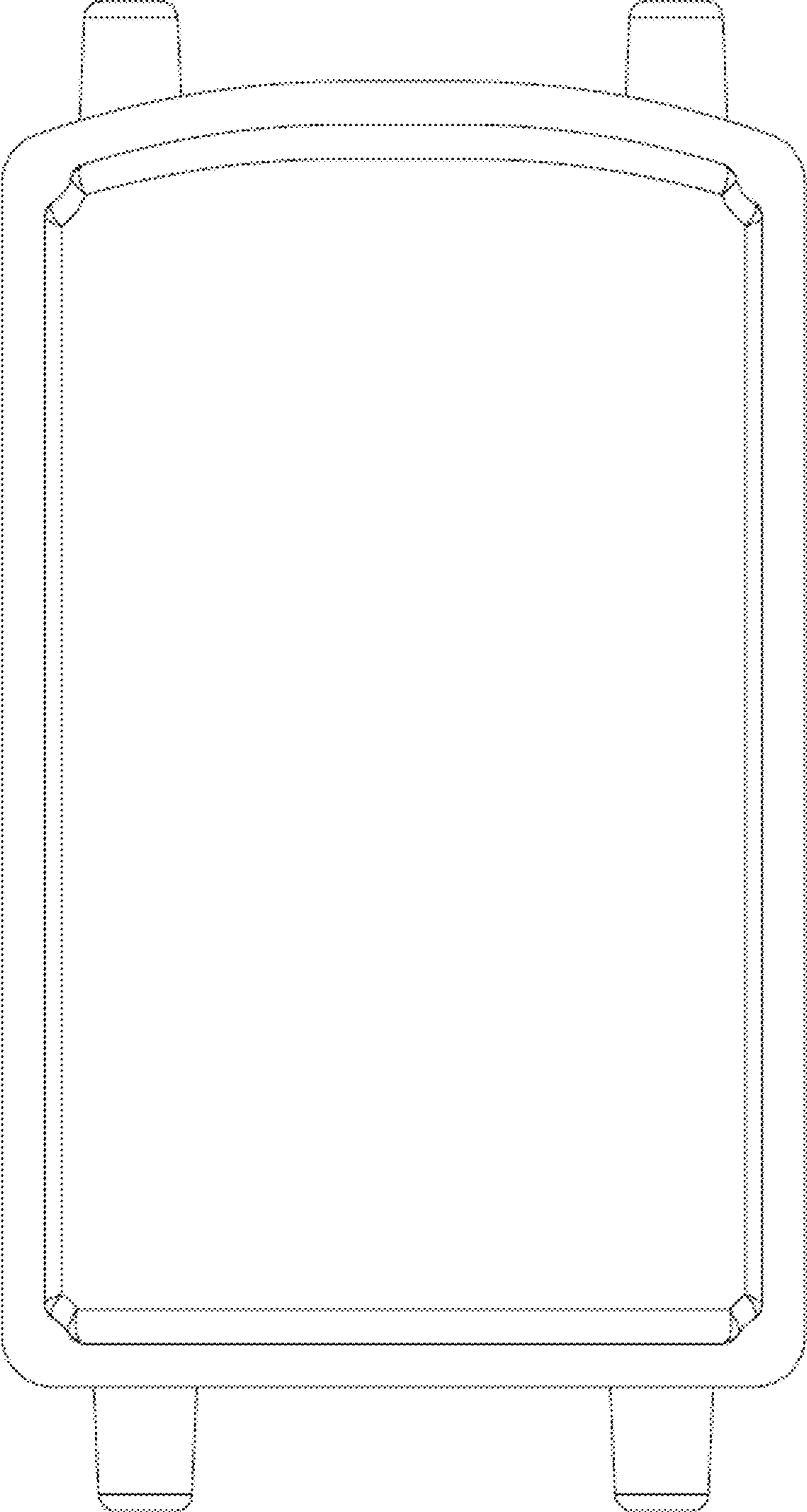


FIG. 1

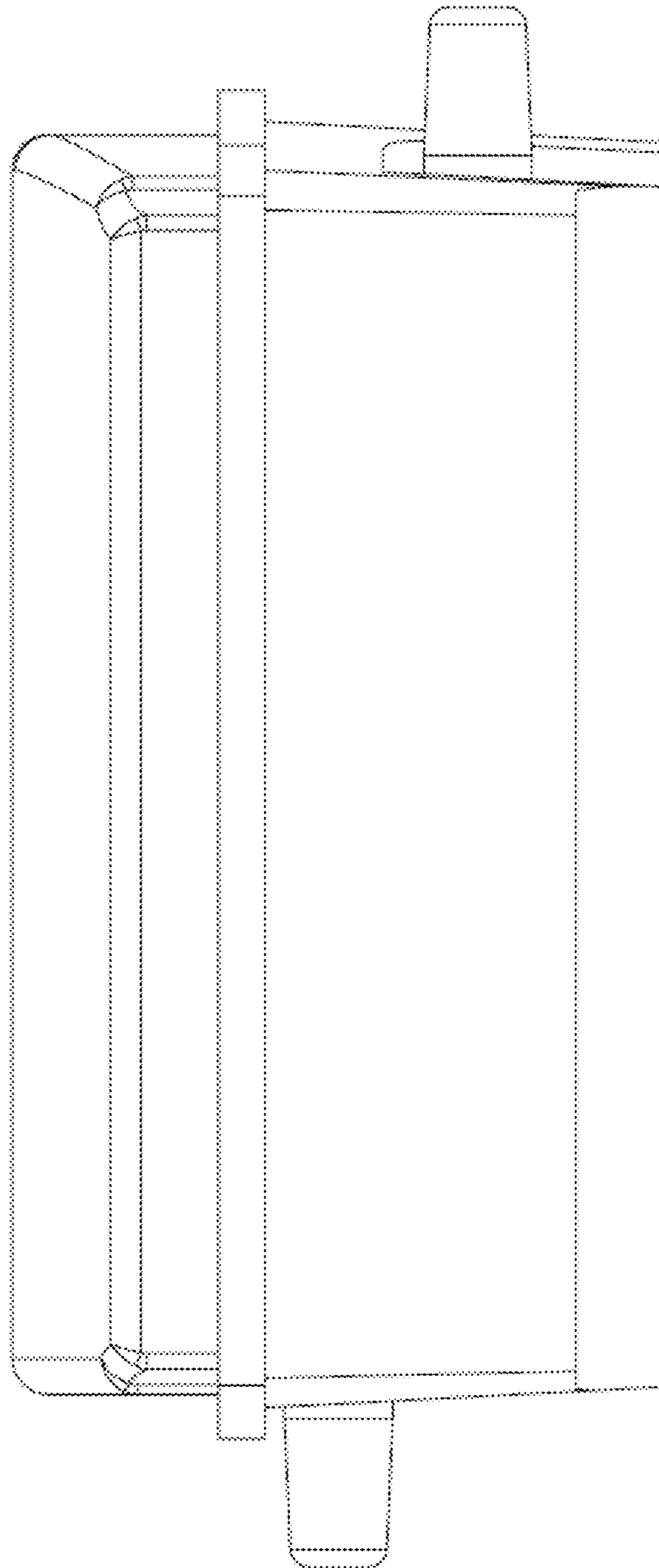


FIG. 2

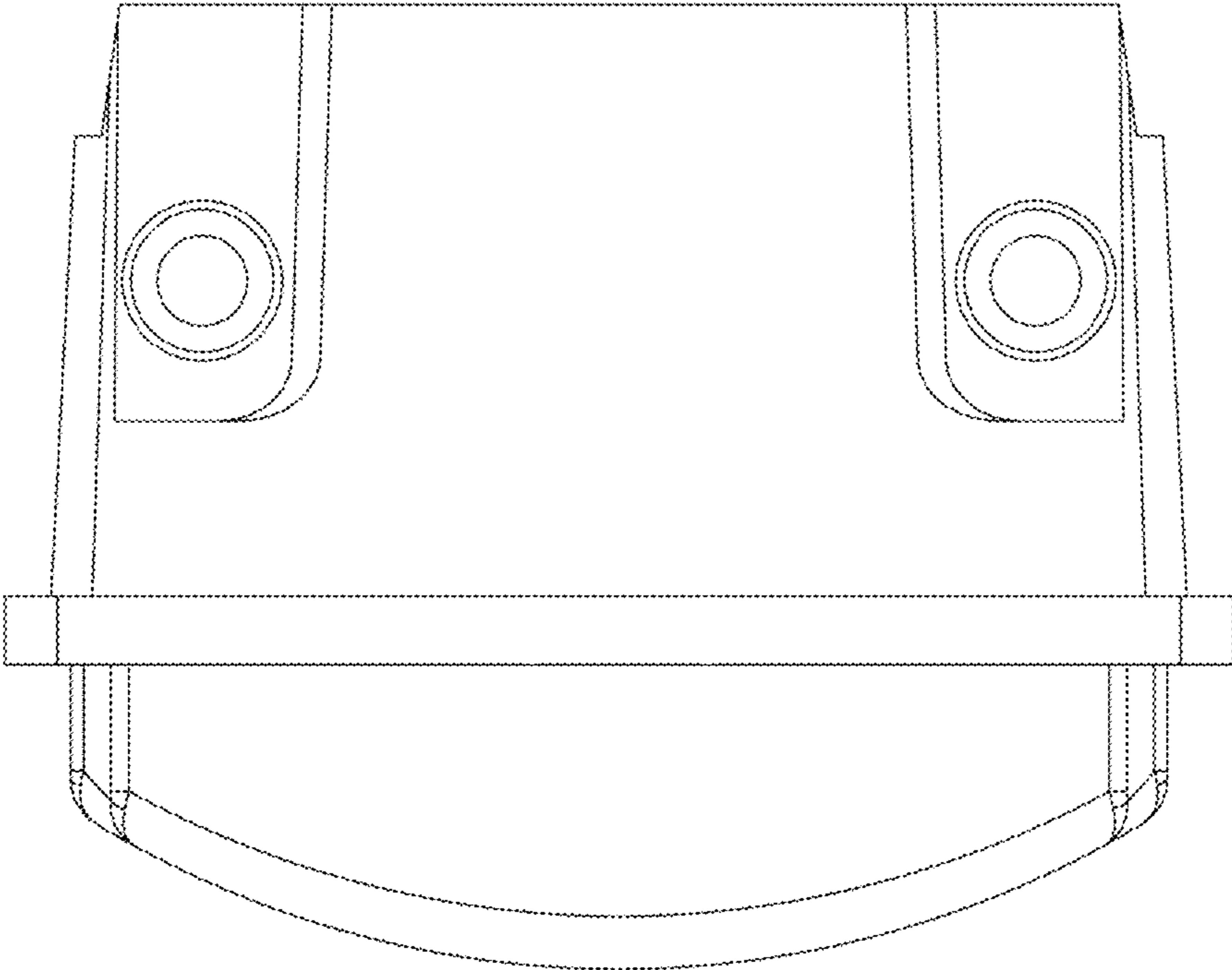


FIG. 3

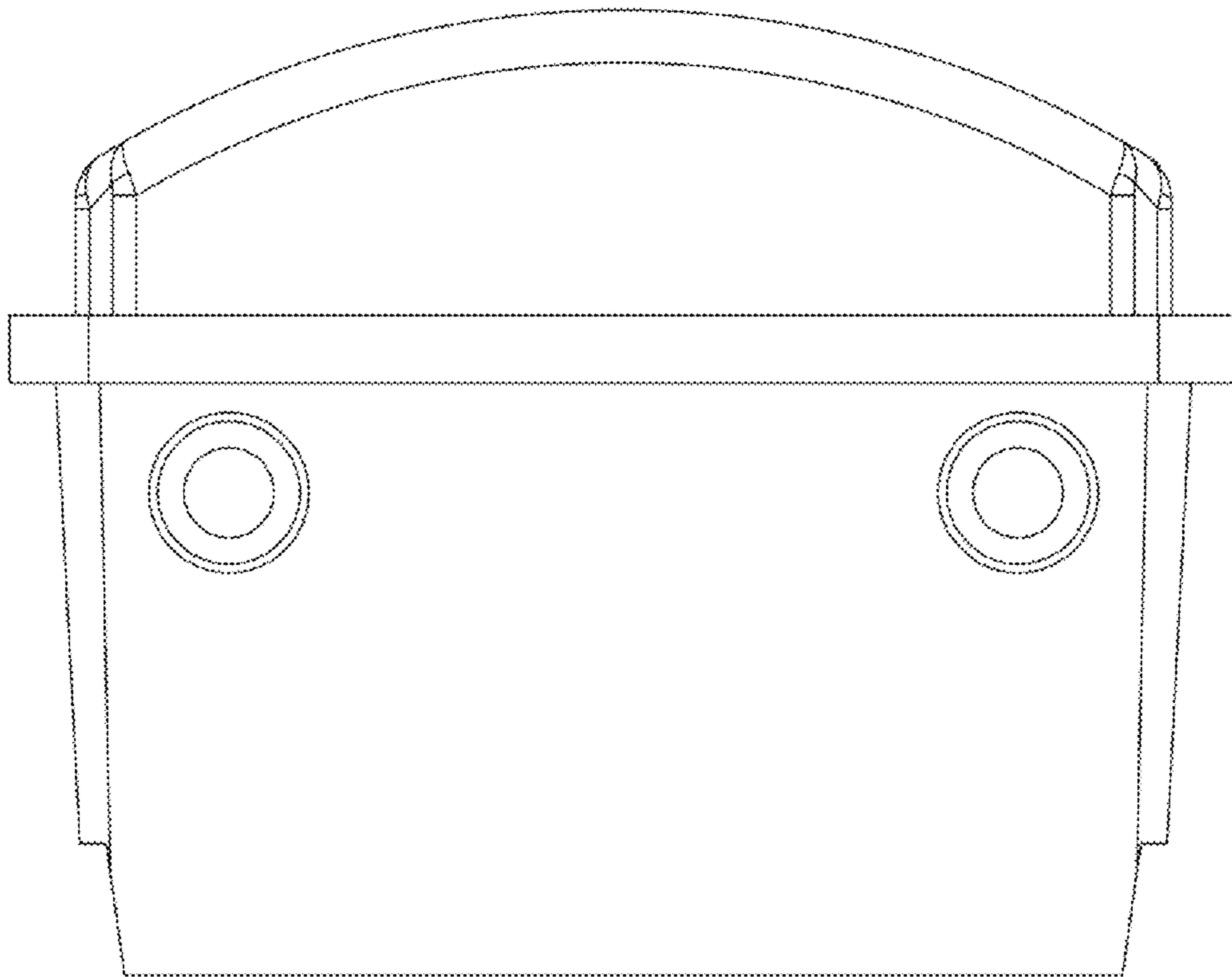


FIG. 4

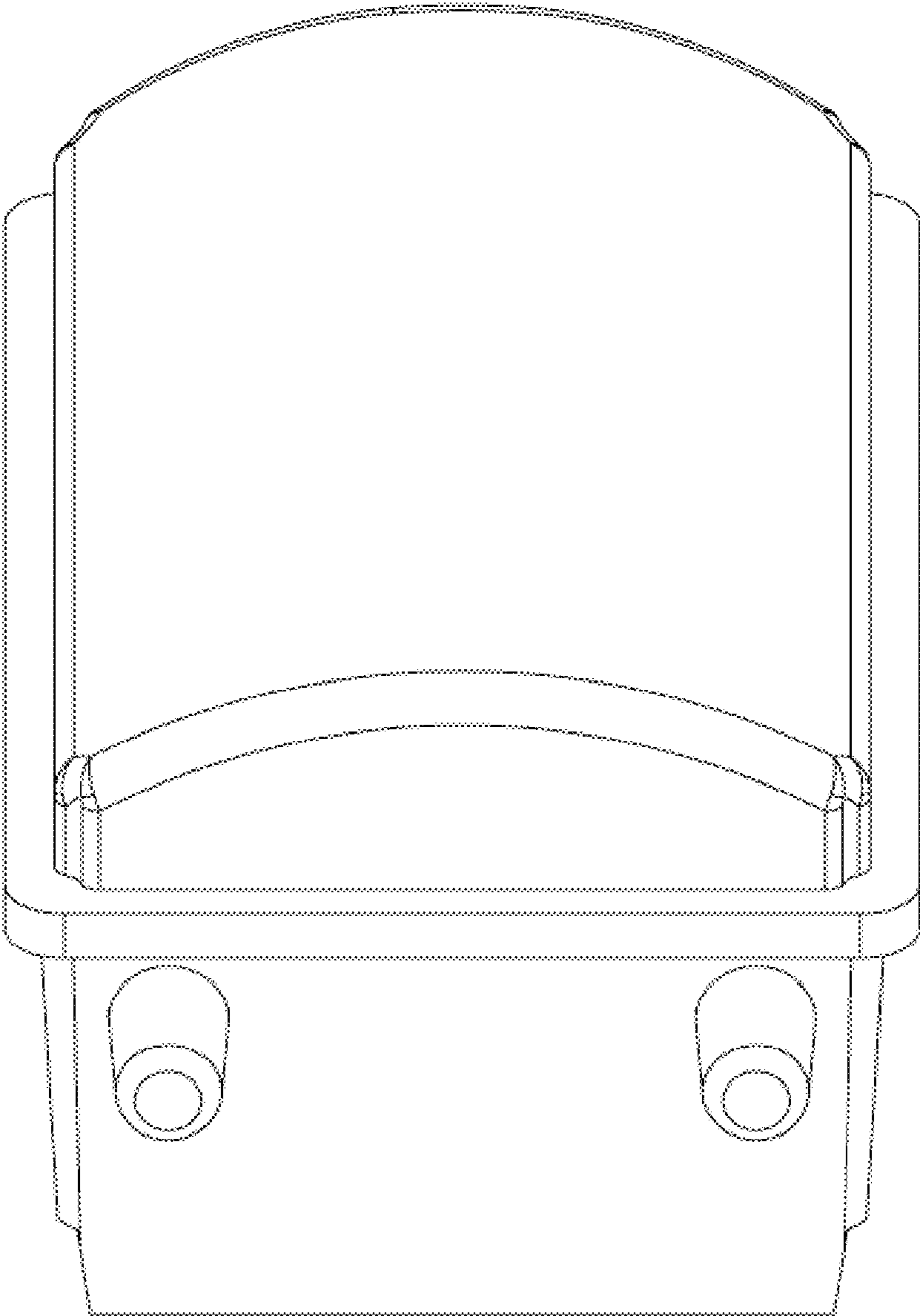


FIG. 5

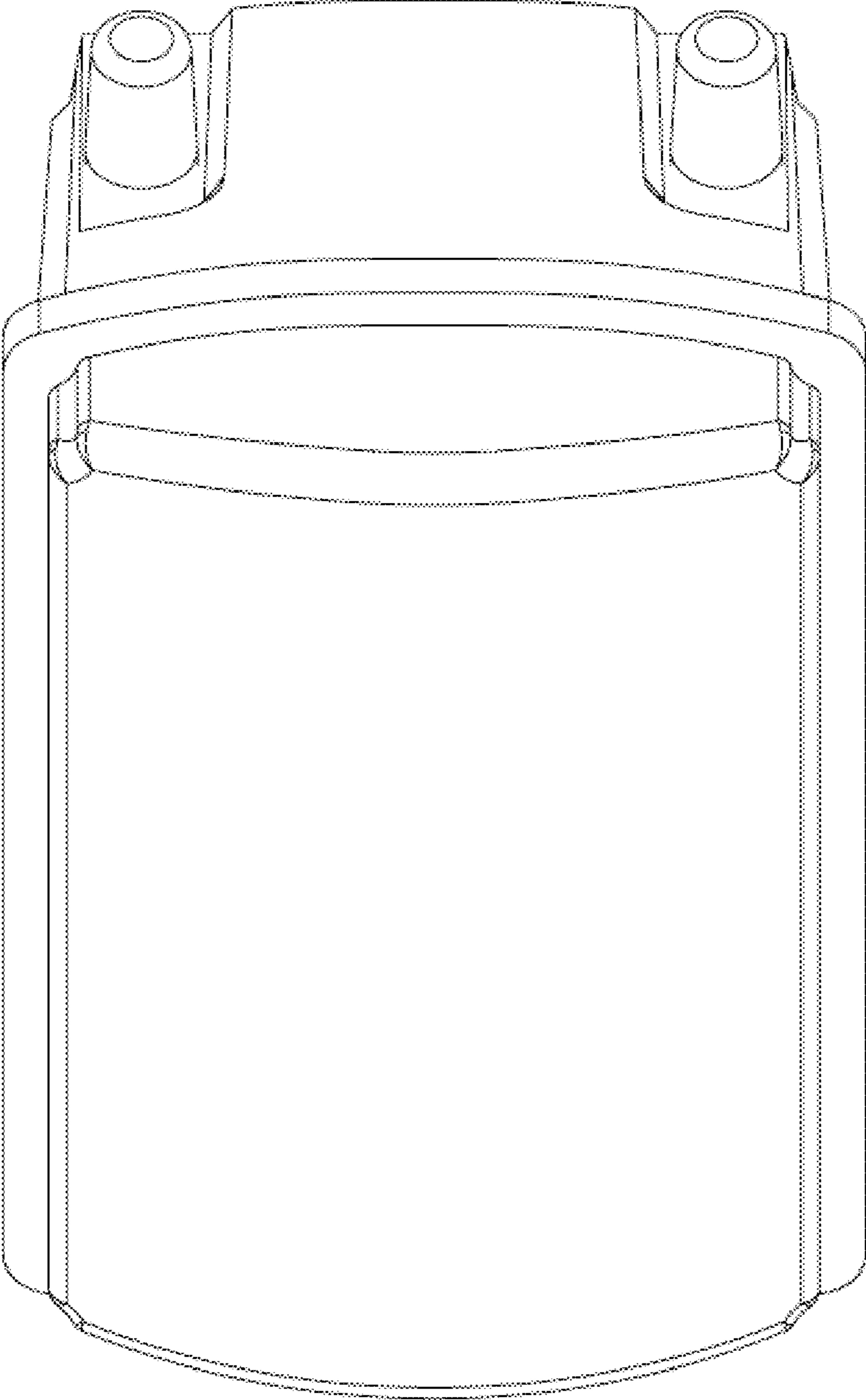


FIG. 6

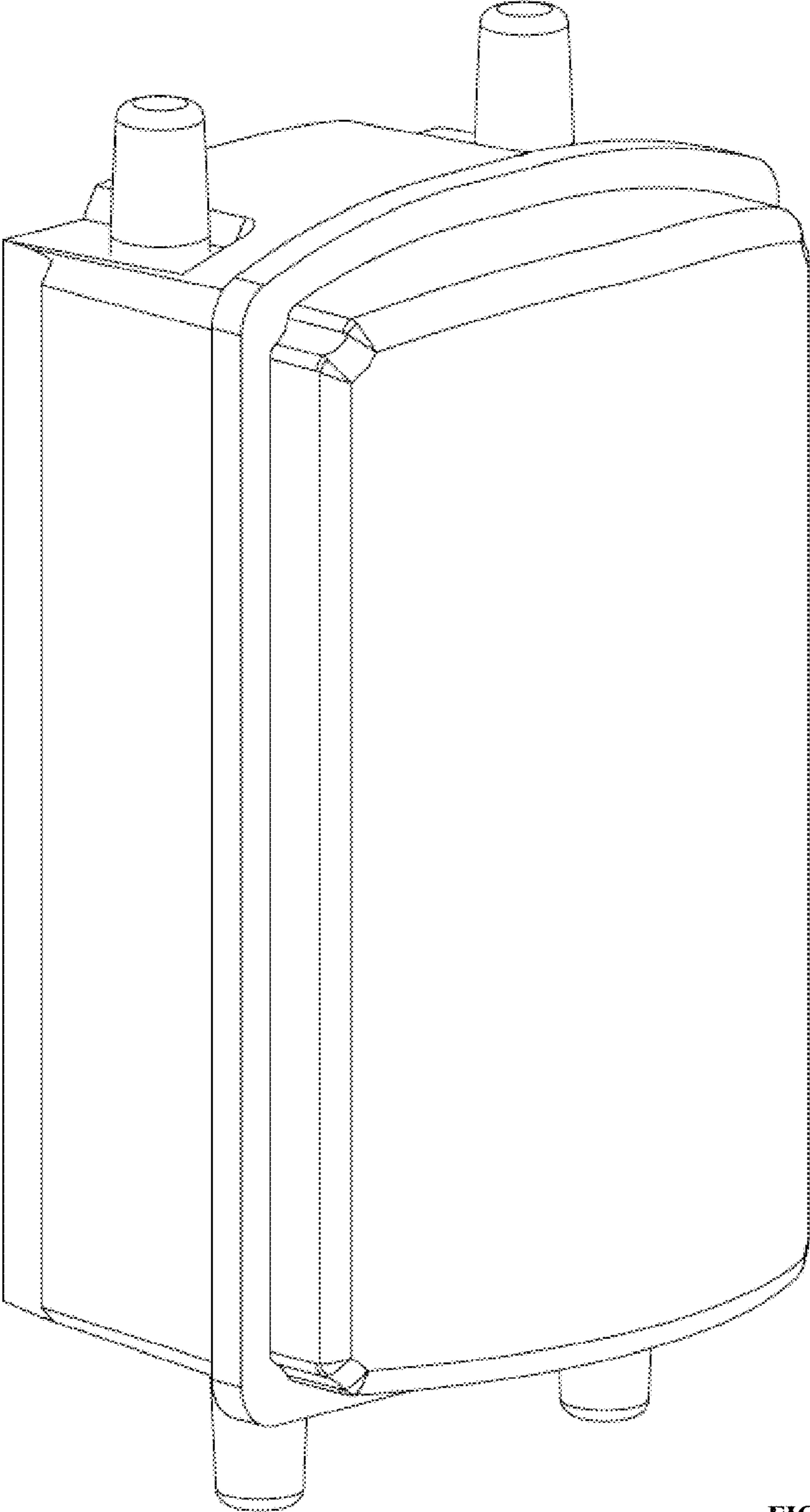


FIG. 7

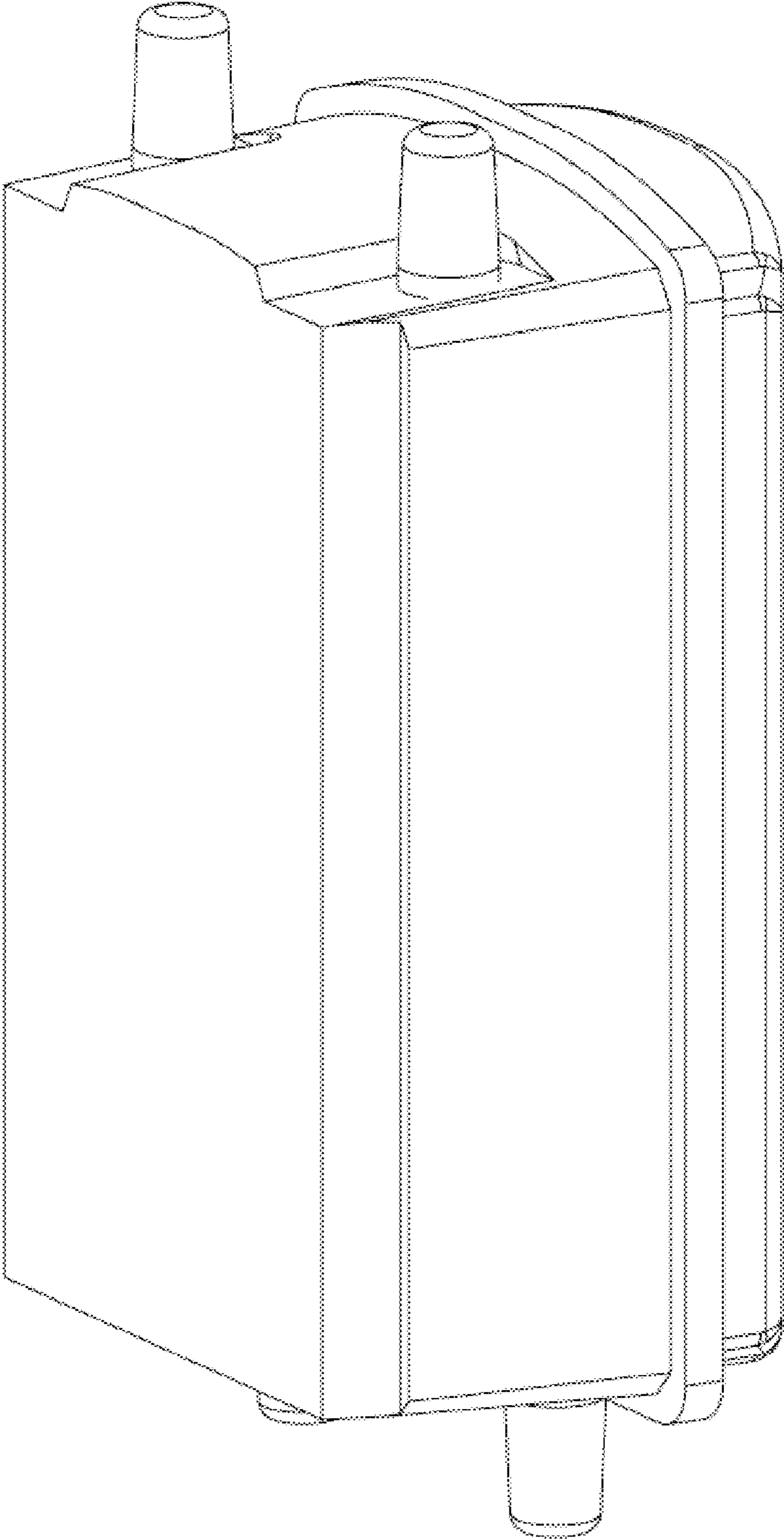


FIG. 8