



US00D773398S

(12) **United States Design Patent**
Sasano

(10) **Patent No.:** **US D773,398 S**

(45) **Date of Patent:** **** Dec. 6, 2016**

(54) **TERMINAL BLOCK**

(71) Applicant: **OMRON Corporation**, Kyoto-shi,
Kyoto (JP)

(72) Inventor: **Naoya Sasano**, Hachioji (JP)

(73) Assignee: **OMRON Corporation**, Kyoto (JP)

(**) Term: **14 Years**

(21) Appl. No.: **29/512,527**

(22) Filed: **Dec. 19, 2014**

(30) **Foreign Application Priority Data**

Jun. 20, 2014 (JP) 2014-013527

(51) **LOC (10) Cl.** **13-03**

(52) **U.S. Cl.**
USPC **D13/146**

(58) **Field of Classification Search**
USPC D13/133, 146, 147, 154, 184, 199
CPC H01R 9/09; H01R 9/091; H01R 9/098;
H01R 9/22; H01R 9/24; H01R
9/2408; H01R 9/2691; H01R 9/28
See application file for complete search history.

(56) **References Cited**

U.S. PATENT DOCUMENTS

D543,943 S * 6/2007 Sugita D13/147
D667,790 S * 9/2012 Osaki D13/120

D696,208 S * 12/2013 Ling D13/159
D750,023 S * 2/2016 Sasano D13/146
2014/0305693 A1* 10/2014 Greenberg H02G 3/08
174/559

* cited by examiner

Primary Examiner — Daniel Bui

(74) *Attorney, Agent, or Firm* — Harness, Dickey &
Pierce, P.L.C.

(57) **CLAIM**

The ornamental design for a terminal block, as shown and described.

DESCRIPTION

FIG. 1 is a top, front and left side perspective view of a terminal block showing my new design;
FIG. 2 is a top, front and right side perspective view thereof;
FIG. 3 is a bottom, front and left side perspective view thereof;
FIG. 4 is a front elevational view thereof;
FIG. 5 is a rear elevational view thereof;
FIG. 6 is a left side view thereof;
FIG. 7 is a right side view thereof;
FIG. 8 is a top plan view thereof; and,
FIG. 9 is a bottom plan view thereof.
The broken lines depict environmental subject matter only and form no part of the claimed design.

1 Claim, 4 Drawing Sheets

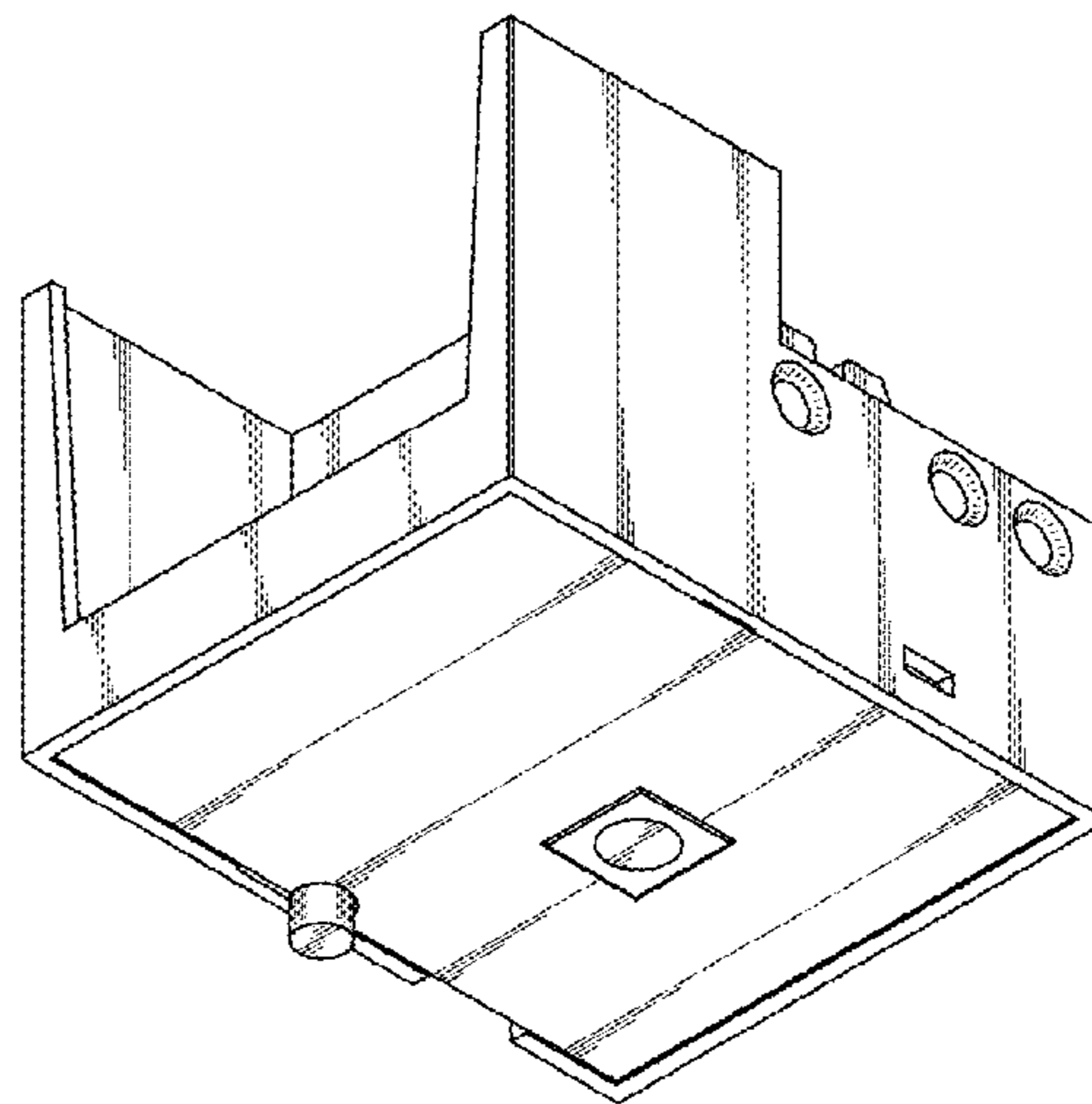
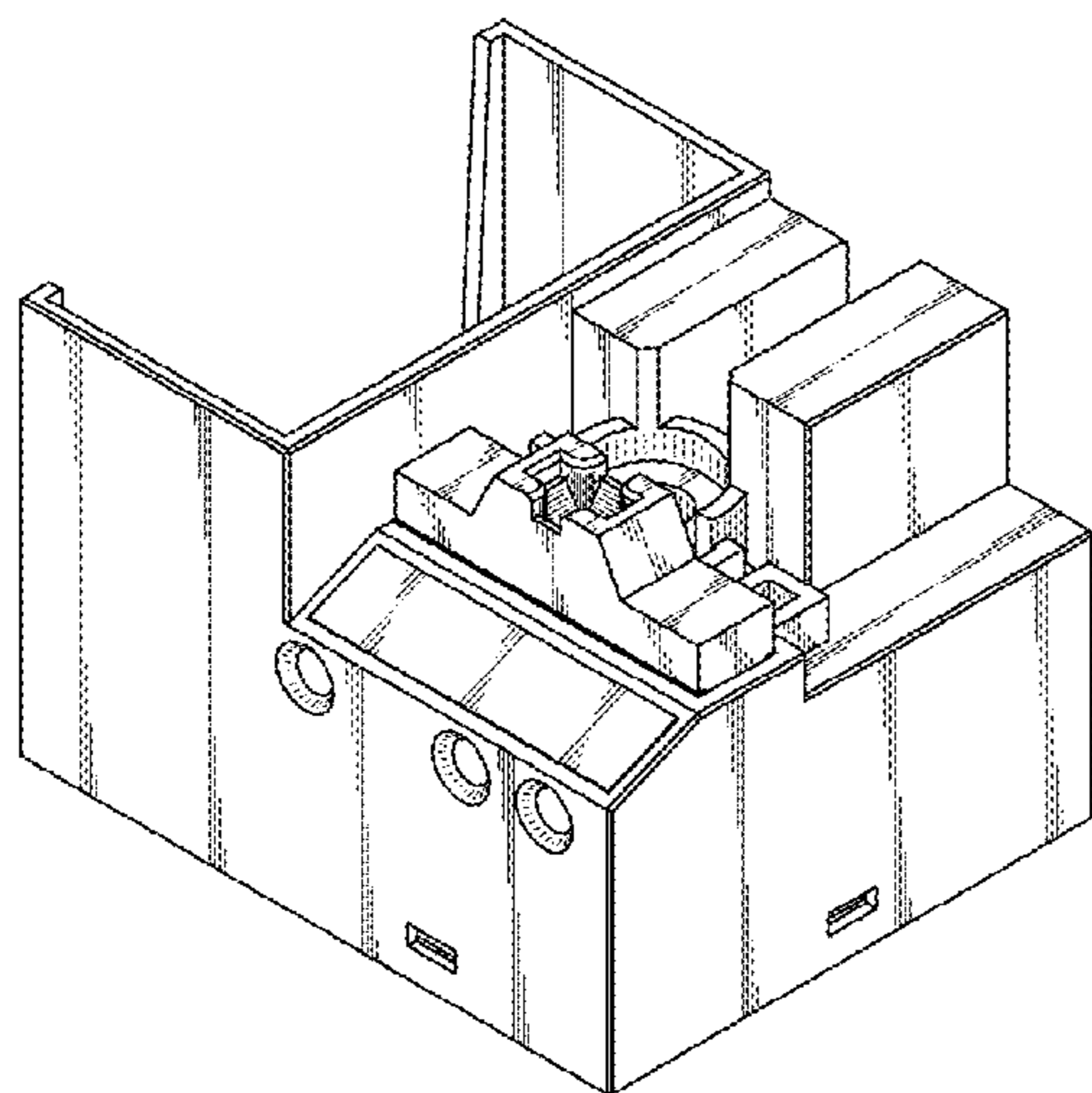


Fig. 1

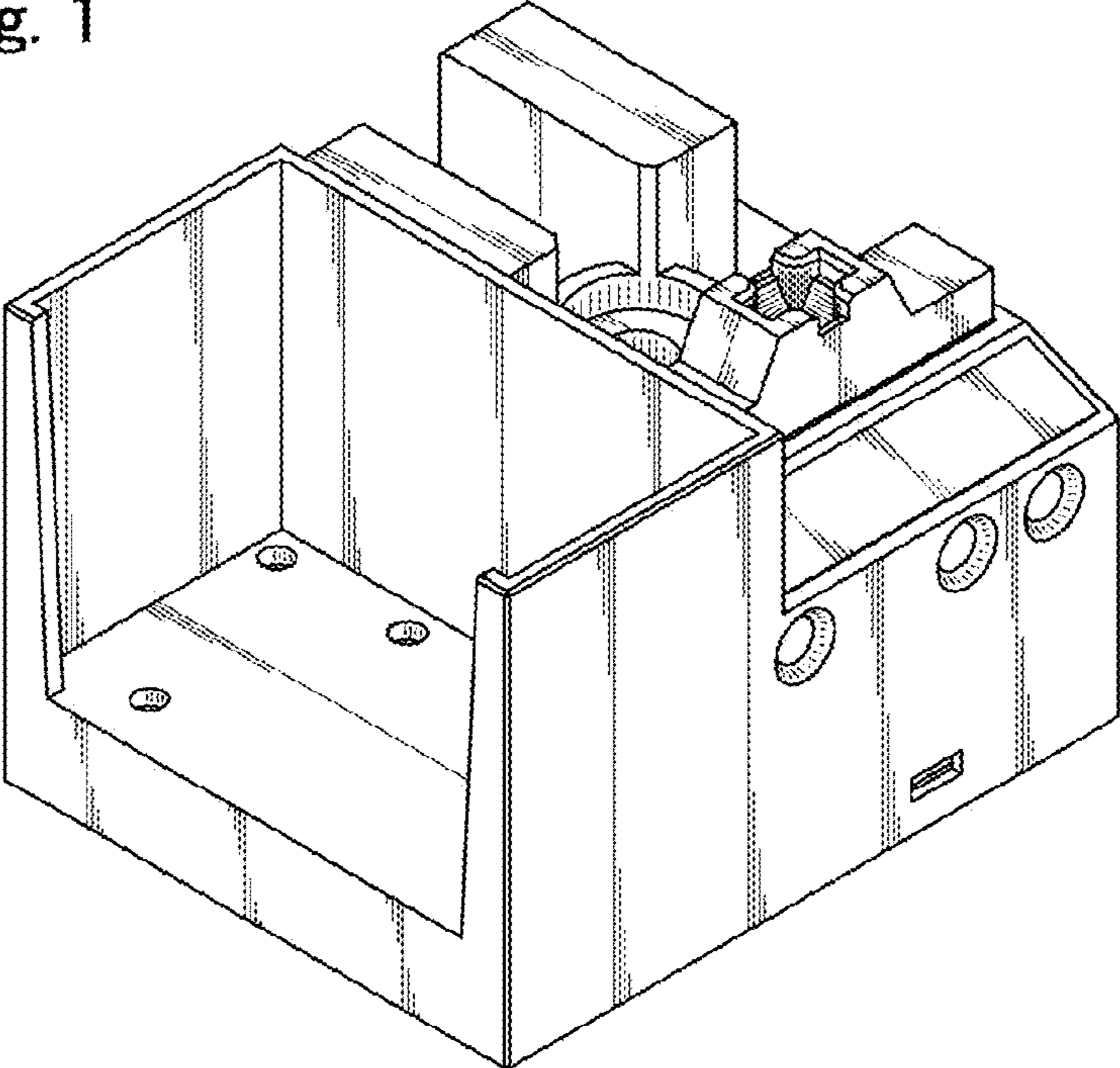


Fig. 2

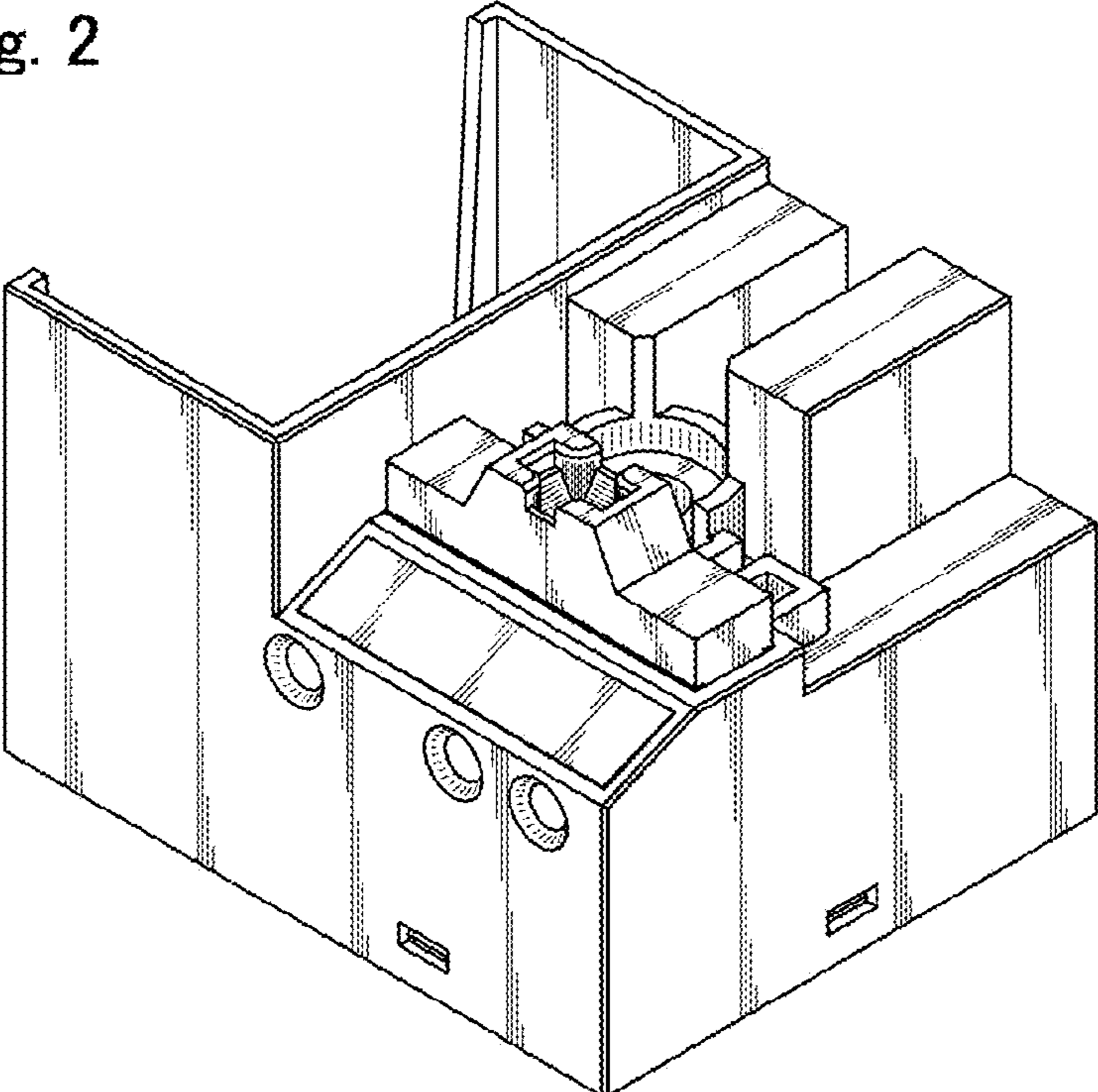


Fig. 3

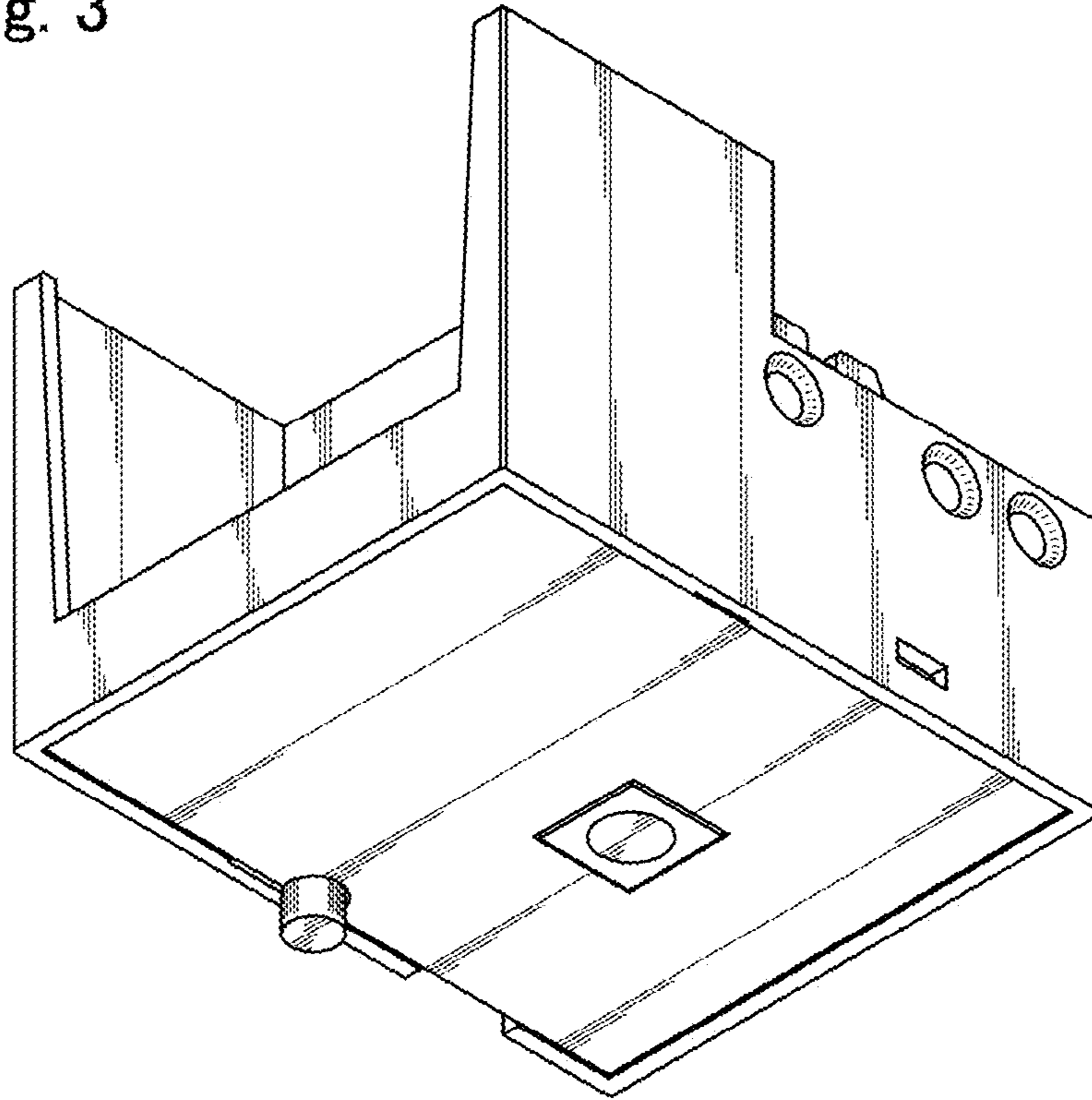


Fig. 4

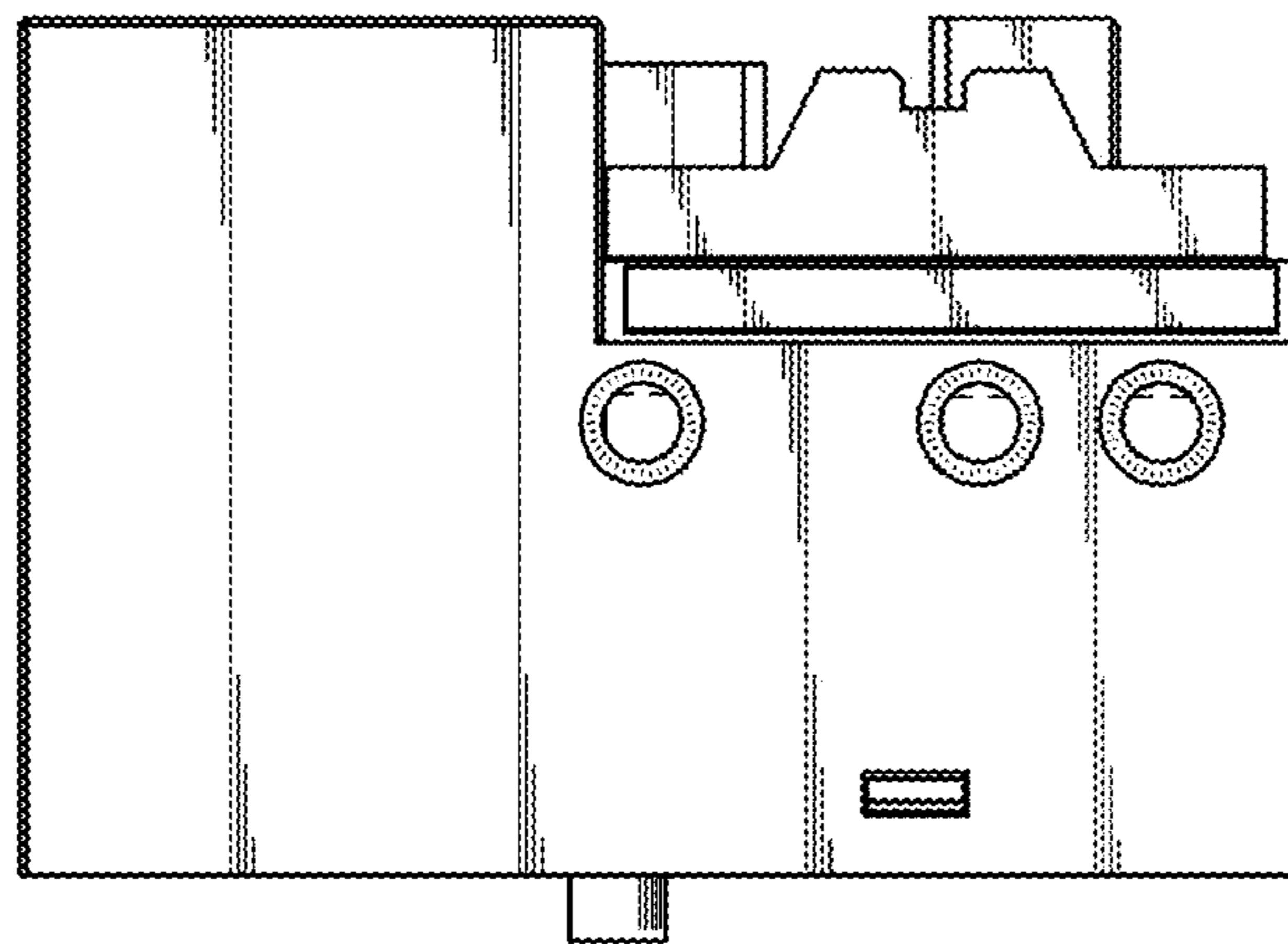


Fig. 5

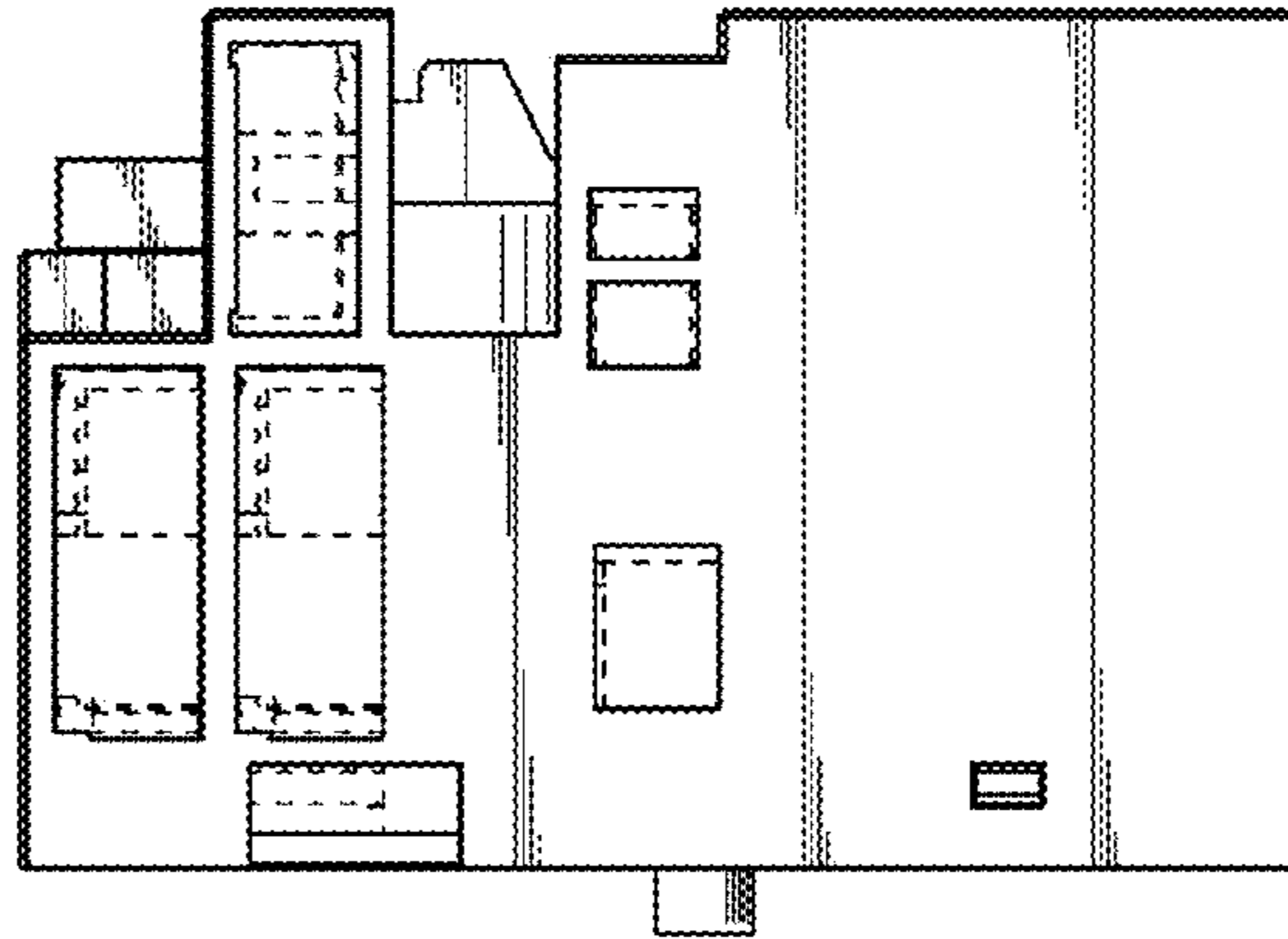


Fig. 6

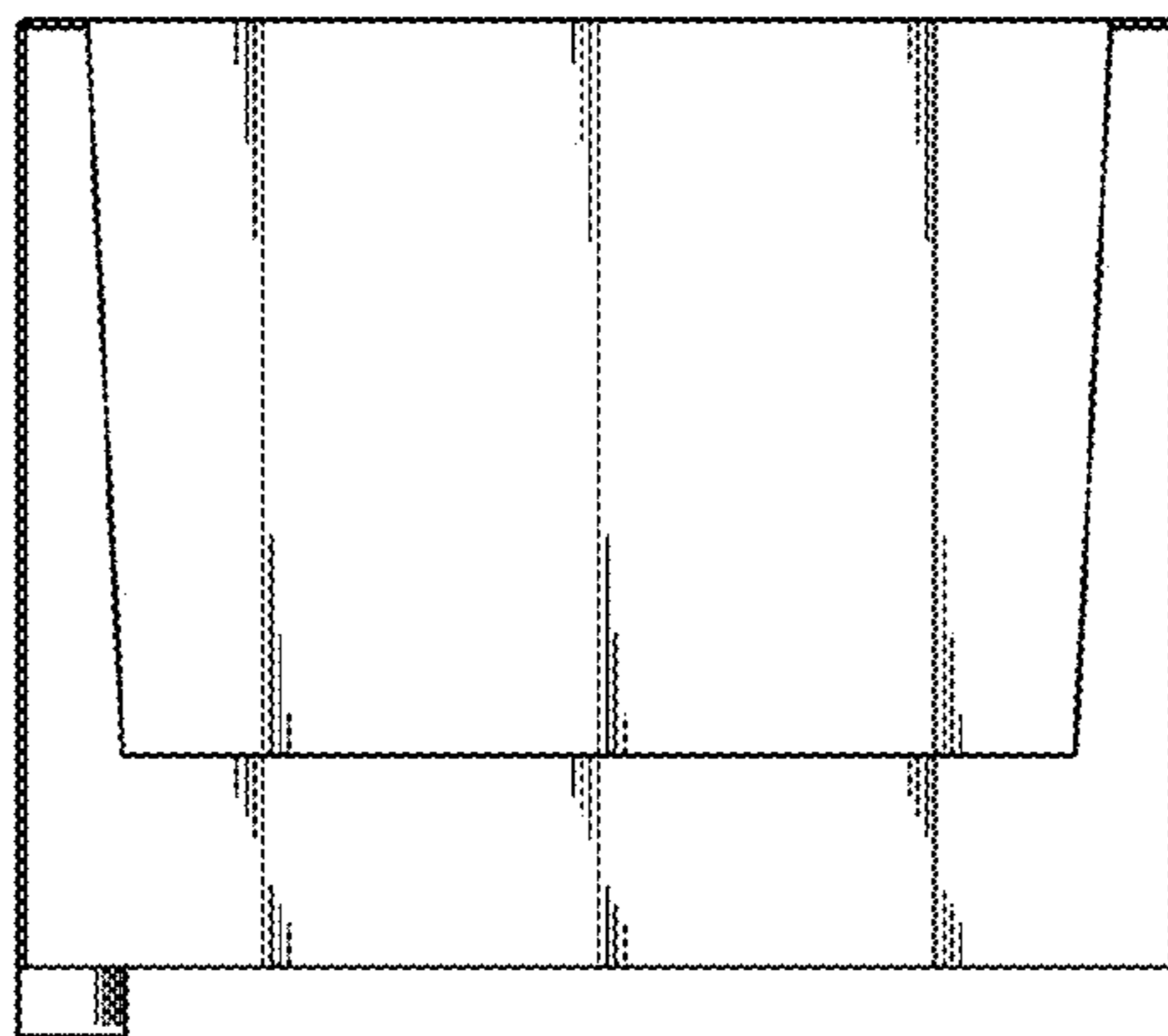


Fig. 7

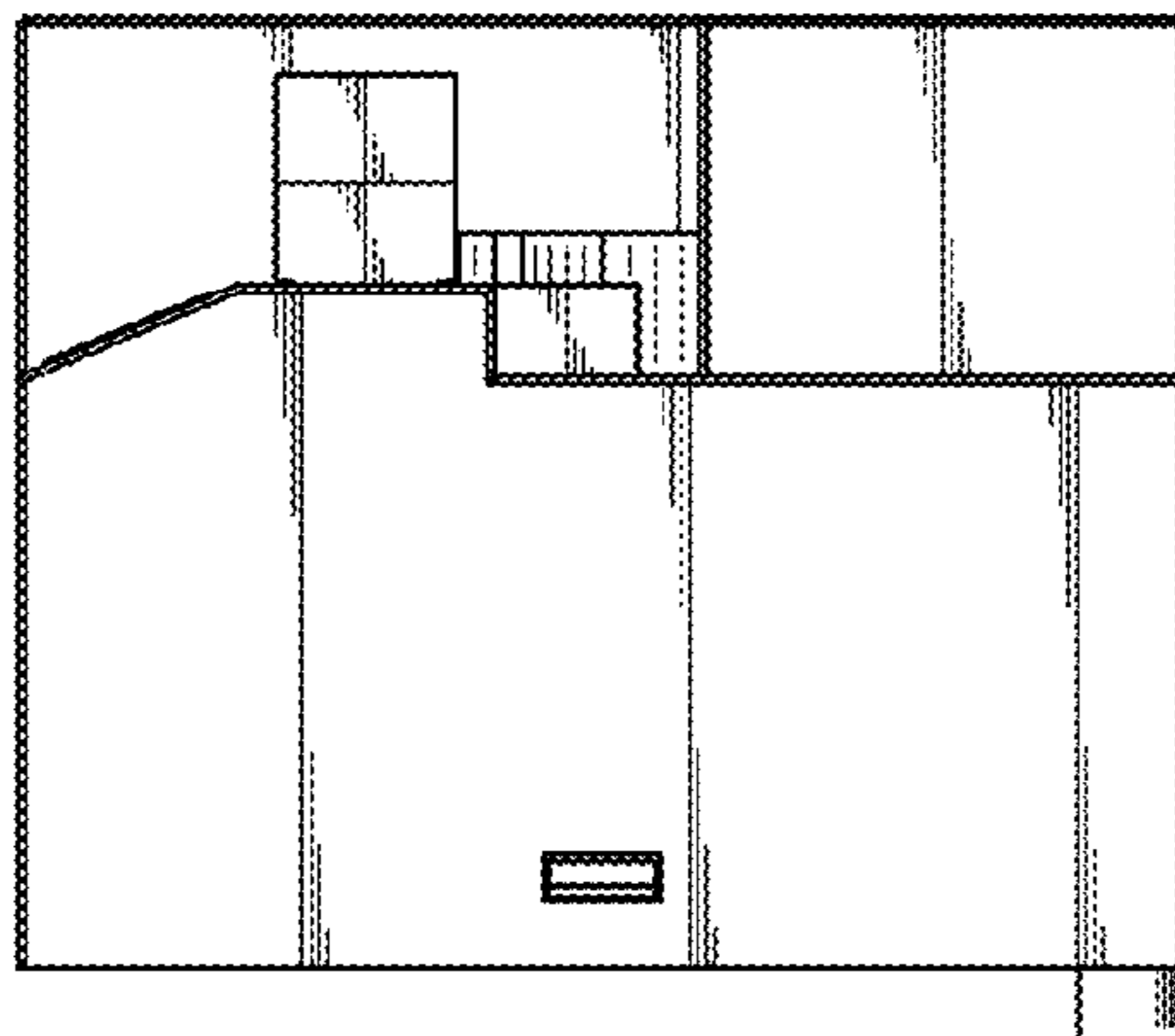


Fig. 8

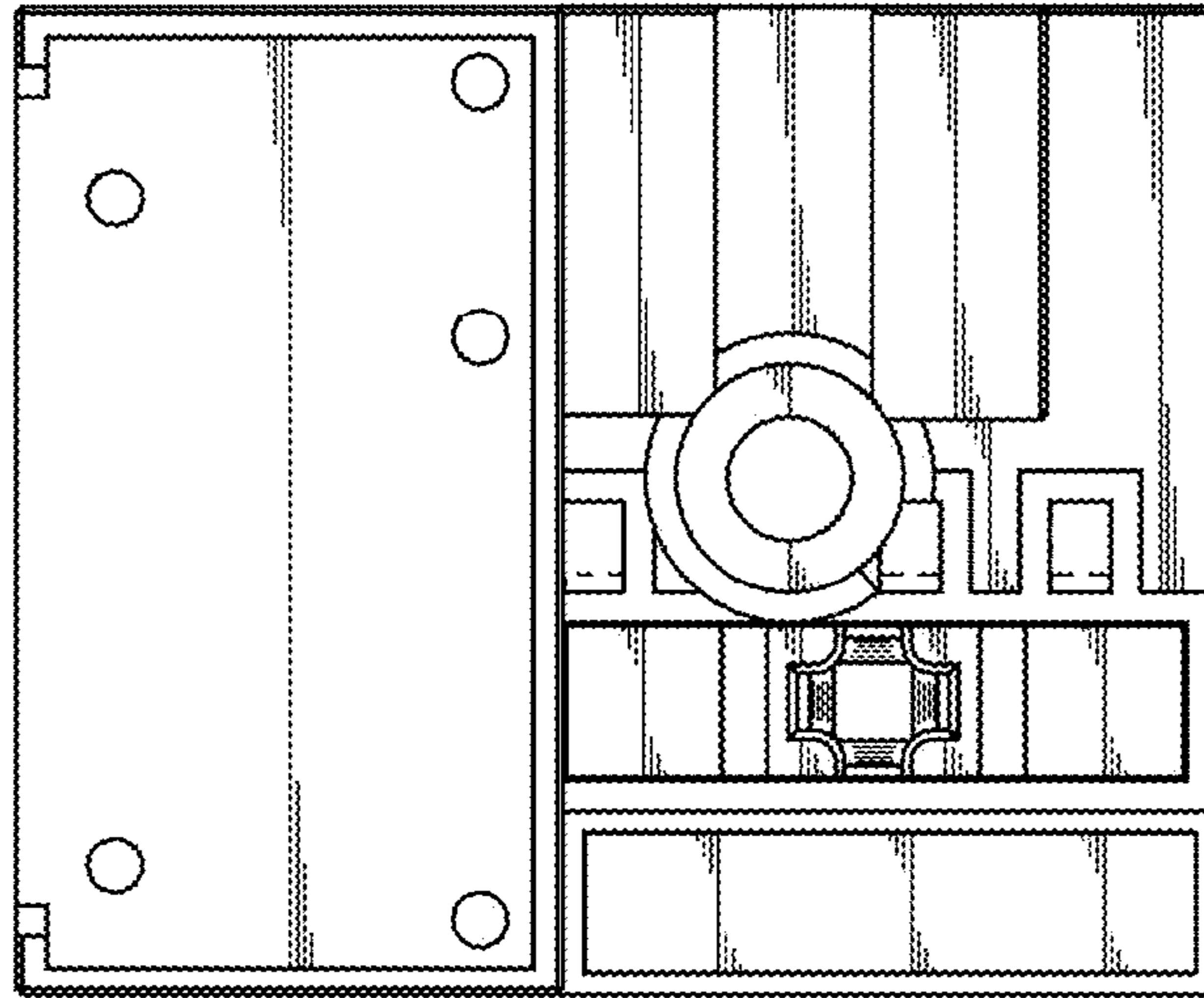


Fig. 9

