



US00D773397S

(12) **United States Design Patent**  
**Sasano**

(10) **Patent No.:** **US D773,397 S**

(45) **Date of Patent:** **\*\* Dec. 6, 2016**

(54) **TERMINAL BLOCK**

(71) Applicant: **OMRON Corporation**, Kyoto-shi,  
Kyoto (JP)

(72) Inventor: **Naoya Sasano**, Hachioji (JP)

(73) Assignee: **OMRON CORPORATION**, Kyoto  
(JP)

(\*\*) Term: **14 Years**

(21) Appl. No.: **29/512,233**

(22) Filed: **Dec. 17, 2014**

(30) **Foreign Application Priority Data**

Jun. 20, 2014 (JP) ..... 2014-013528

(51) **LOC (10) Cl.** ..... **13-03**

(52) **U.S. Cl.**  
USPC ..... **D13/146**

(58) **Field of Classification Search**

USPC ..... D13/133, 146, 147, 154, 184, 199  
CPC ..... H01R 9/09; H01R 9/091; H01R 9/098;  
H01R 9/22; H01R 9/24; H01R 9/2408;  
H01R 9/2691; H01R 9/28

See application file for complete search history.

(56) **References Cited**

**U.S. PATENT DOCUMENTS**

D543,943 S \* 6/2007 Sugita ..... D13/147  
D667,790 S \* 9/2012 Osaki ..... D13/120

D696,208 S \* 12/2013 Ling ..... D13/159  
D750,023 S \* 2/2016 Sasano ..... D13/146  
2014/0305693 A1 \* 10/2014 Greenberg ..... H02G 3/08  
174/559

\* cited by examiner

*Primary Examiner* — Daniel Bui

(74) *Attorney, Agent, or Firm* — Harness, Dickey &  
Pierce, P.L.C.

(57) **CLAIM**

The ornamental design for a terminal block, as shown and described.

**DESCRIPTION**

FIG. 1 is a top, front and left side perspective view of a terminal block showing my new design;  
FIG. 2 is a top, front and right side perspective view thereof;  
FIG. 3 is a bottom, front and left side perspective view thereof;  
FIG. 4 is a front elevational view thereof;  
FIG. 5 is a rear elevational view thereof;  
FIG. 6 is a left side view thereof;  
FIG. 7 is a right side view thereof;  
FIG. 8 is a top plan view thereof; and,  
FIG. 9 is a bottom plan view thereof.  
The broken lines depict environmental subject matter only and form no part of the claimed design.

**1 Claim, 4 Drawing Sheets**

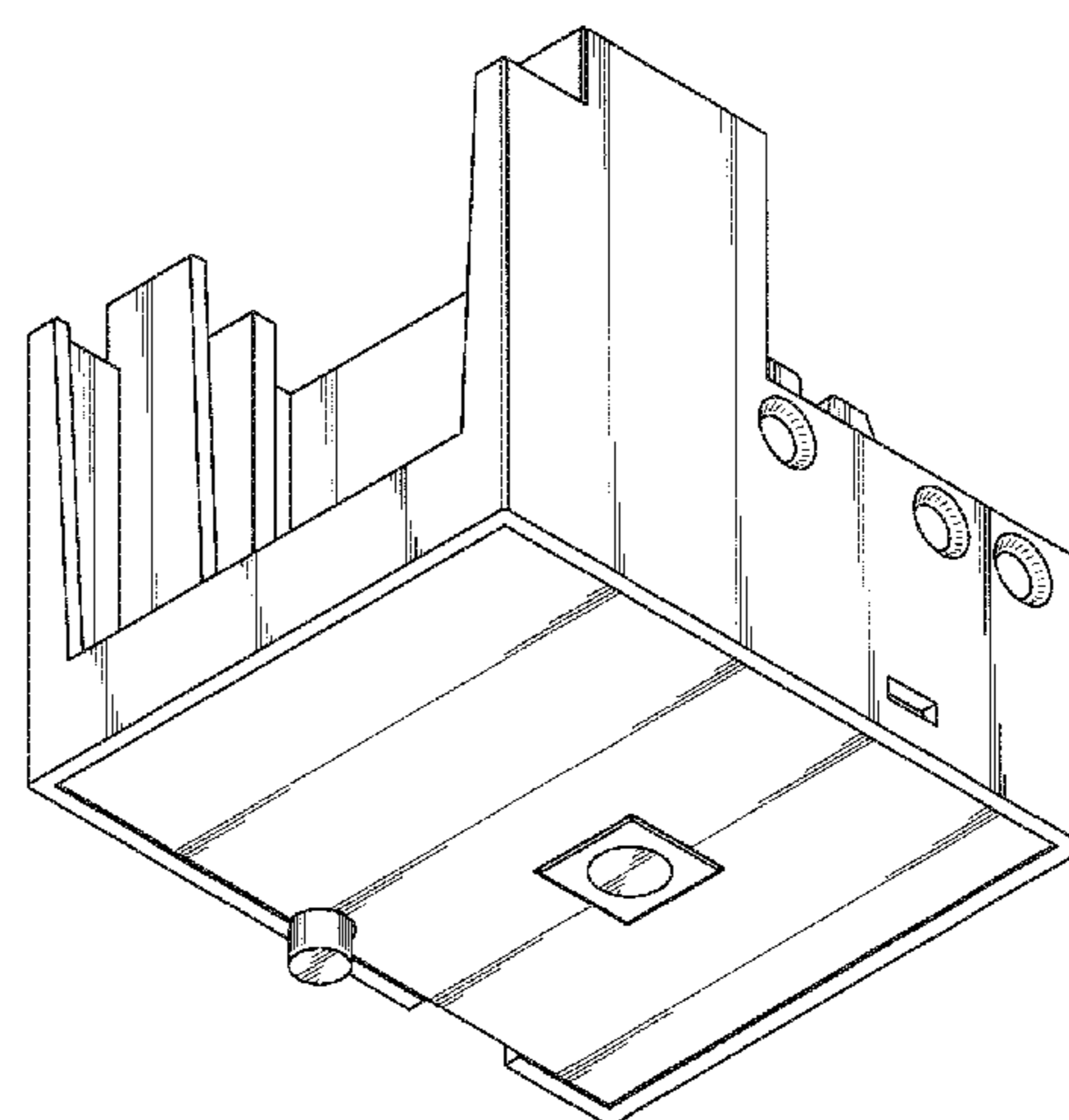
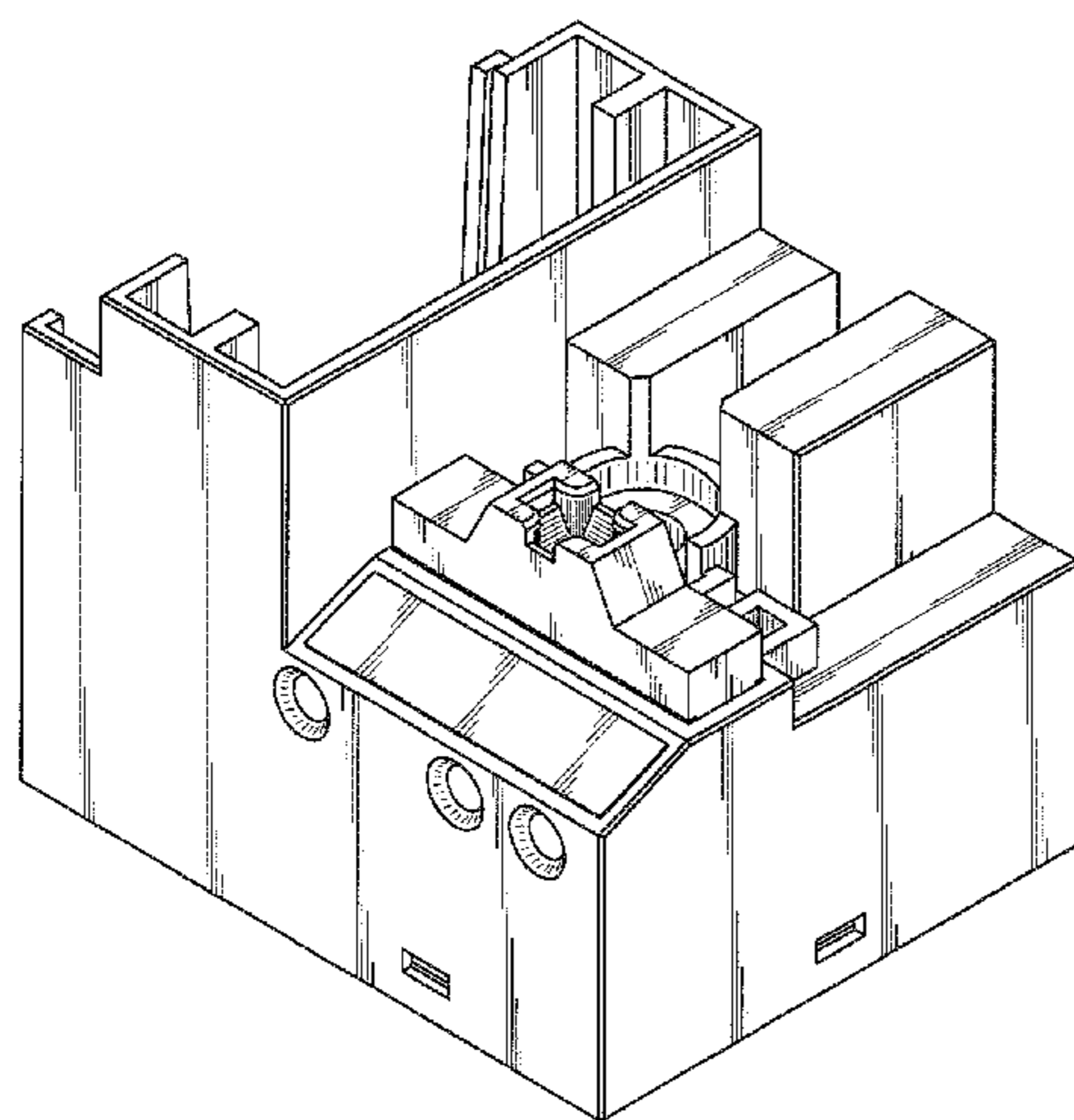


Fig. 1

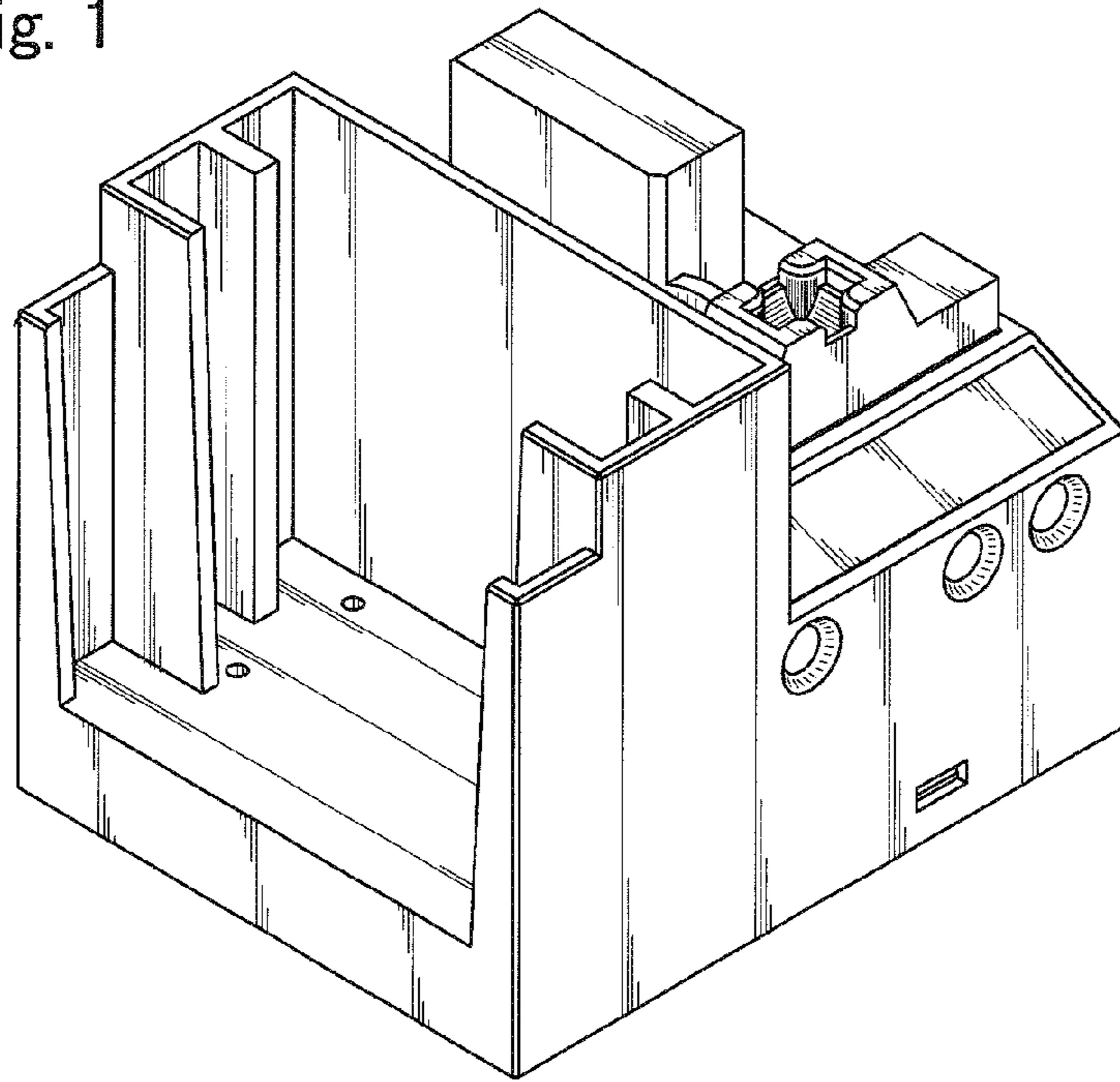


Fig. 2

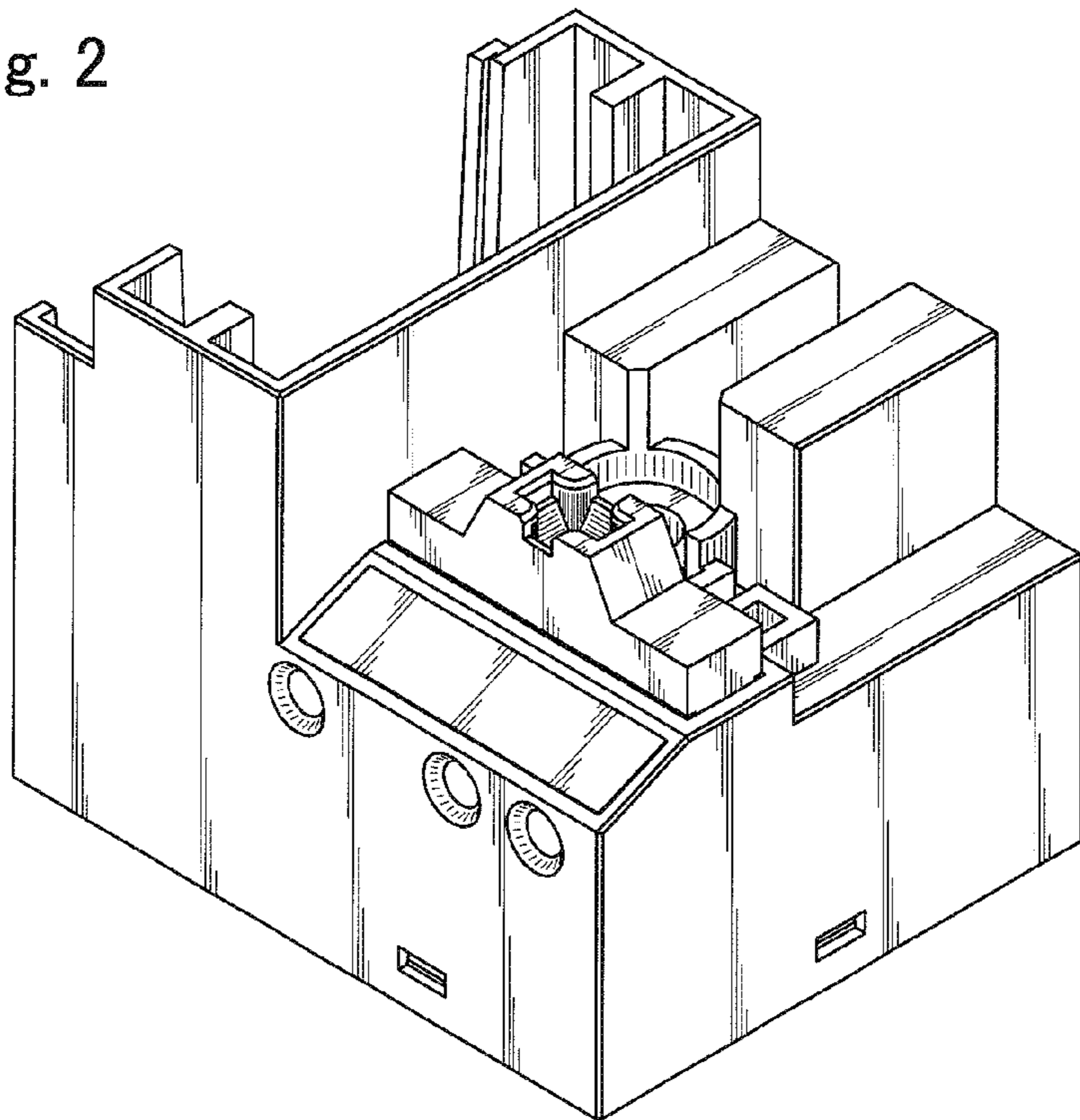


Fig. 3

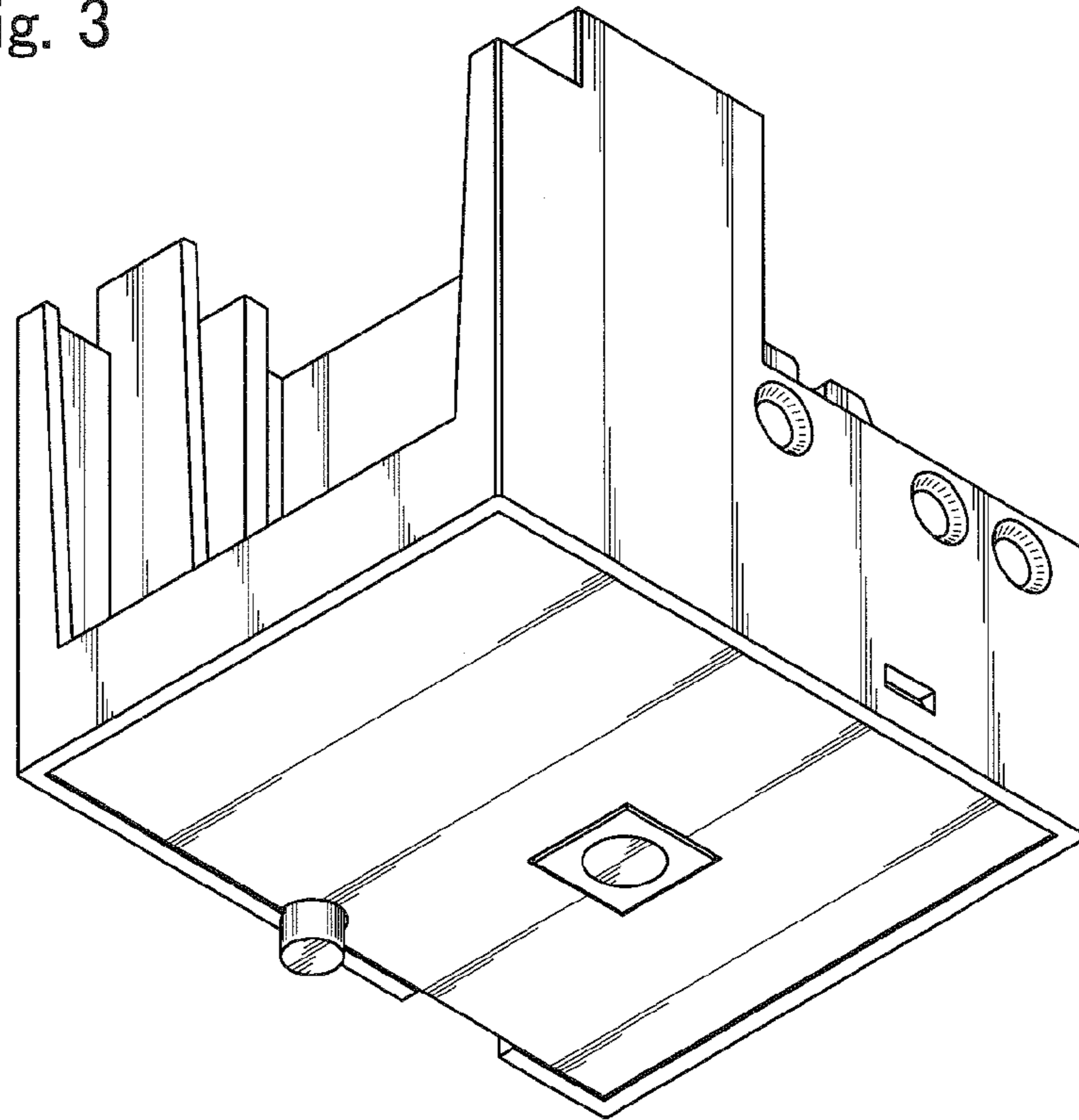


Fig. 4

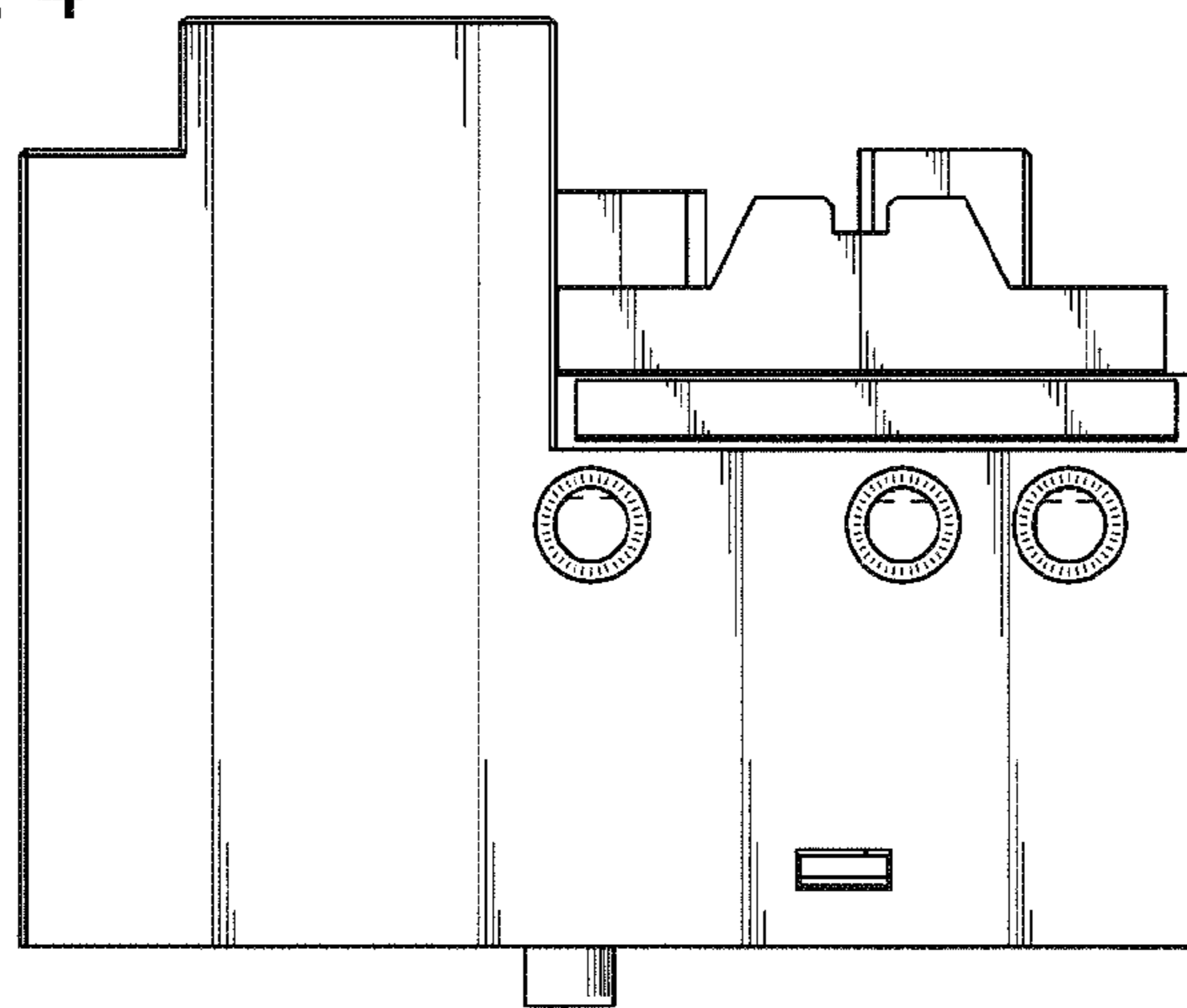


Fig. 5

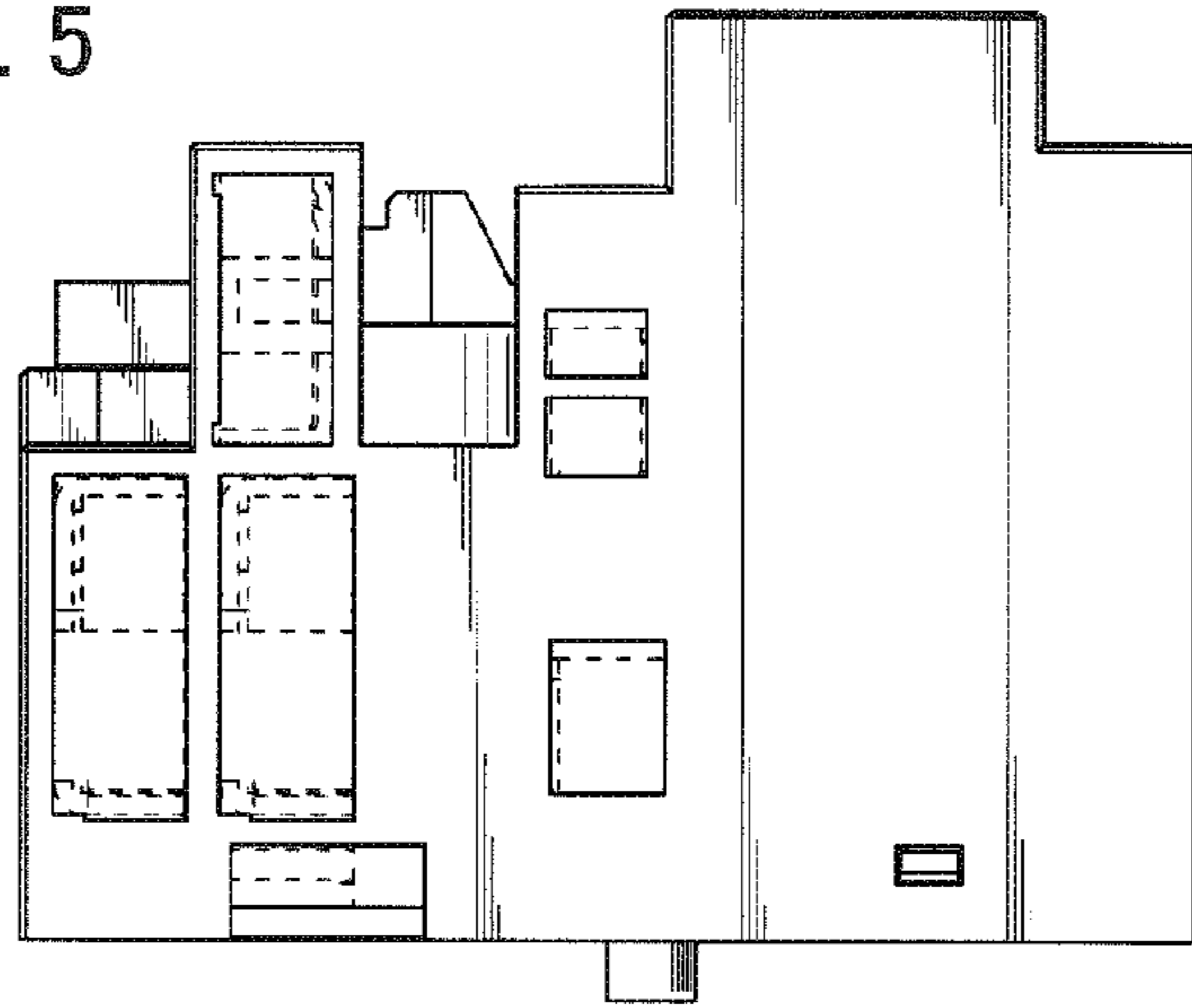


Fig. 6

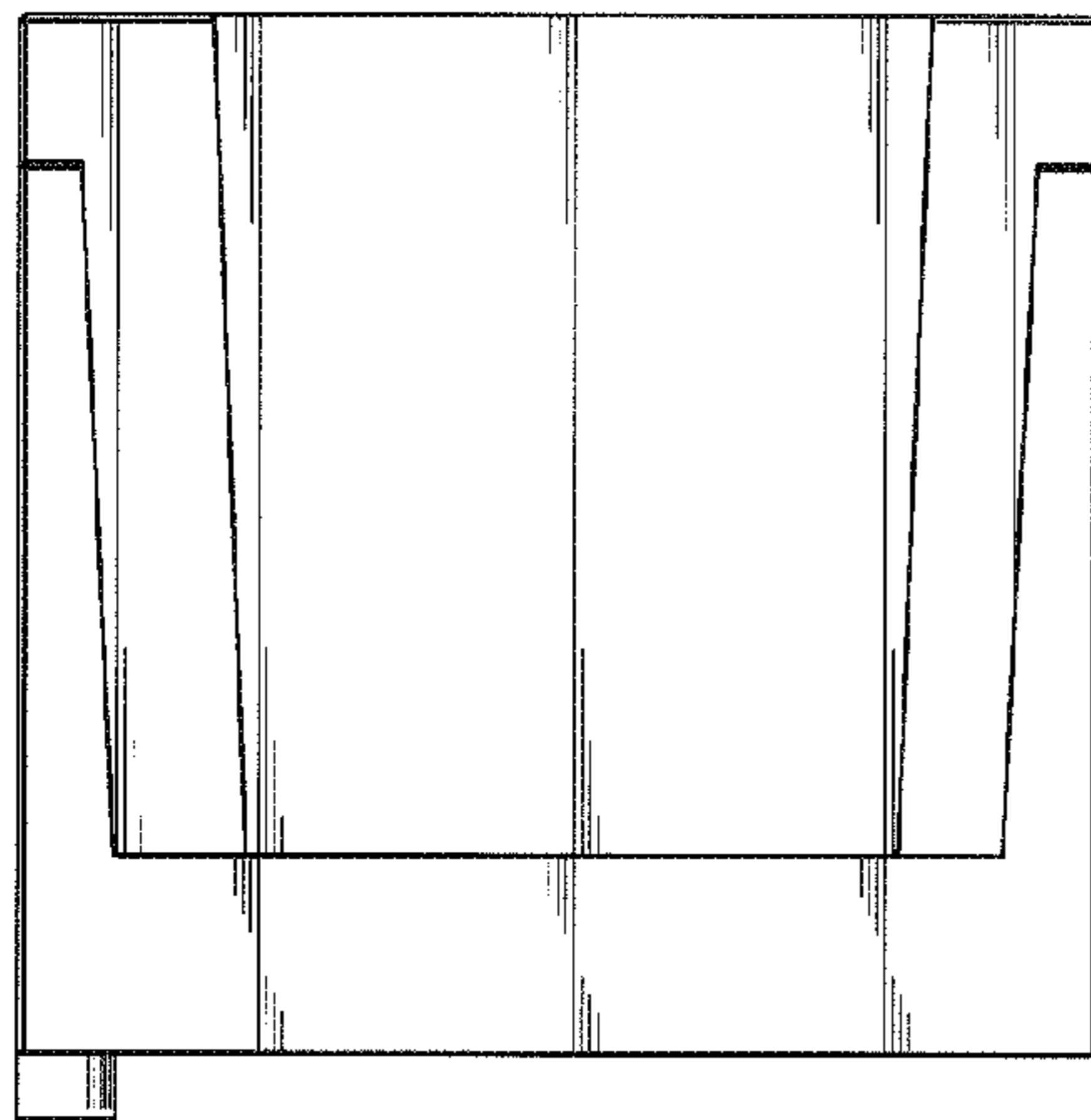


Fig. 7

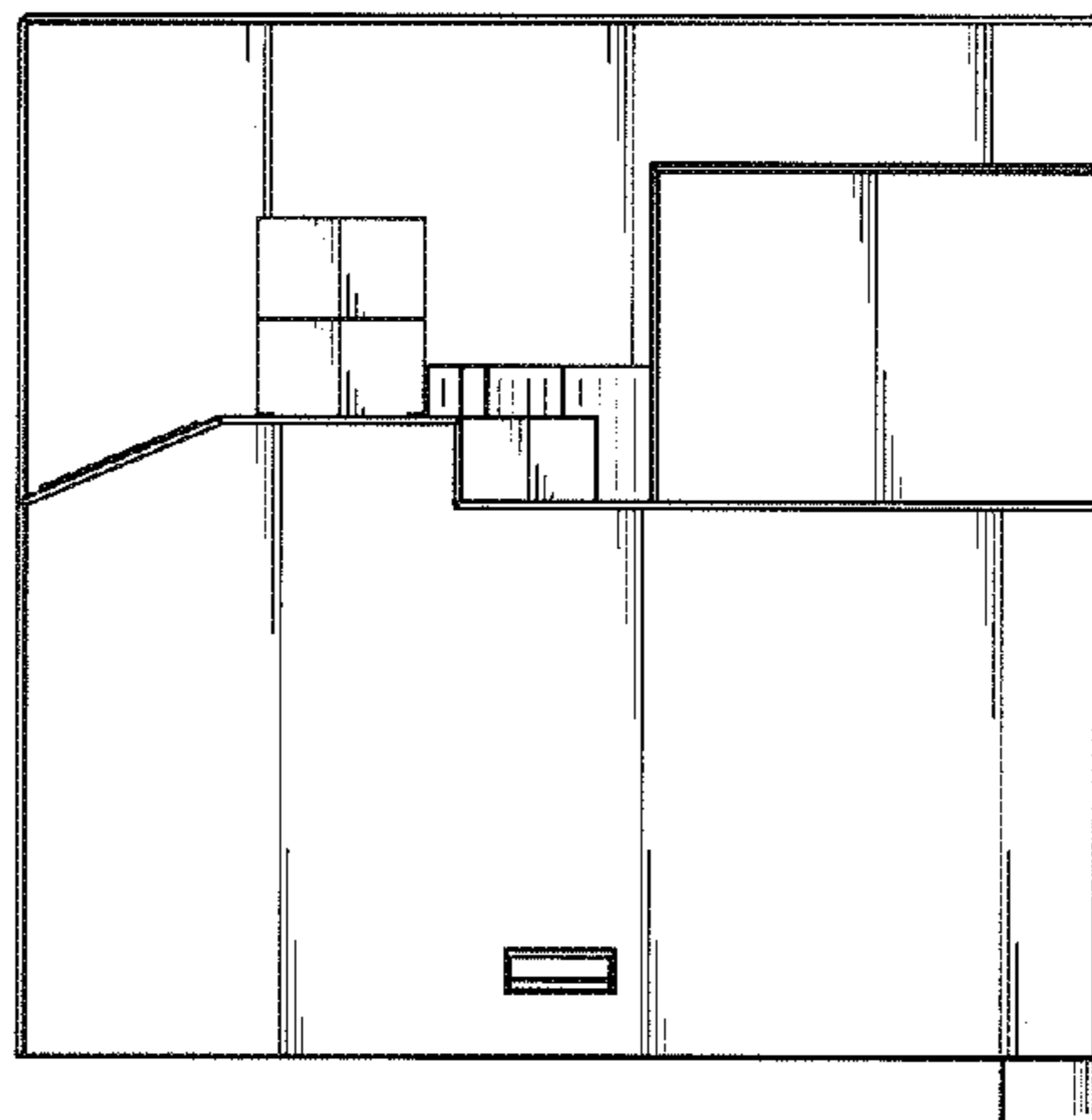


Fig. 8

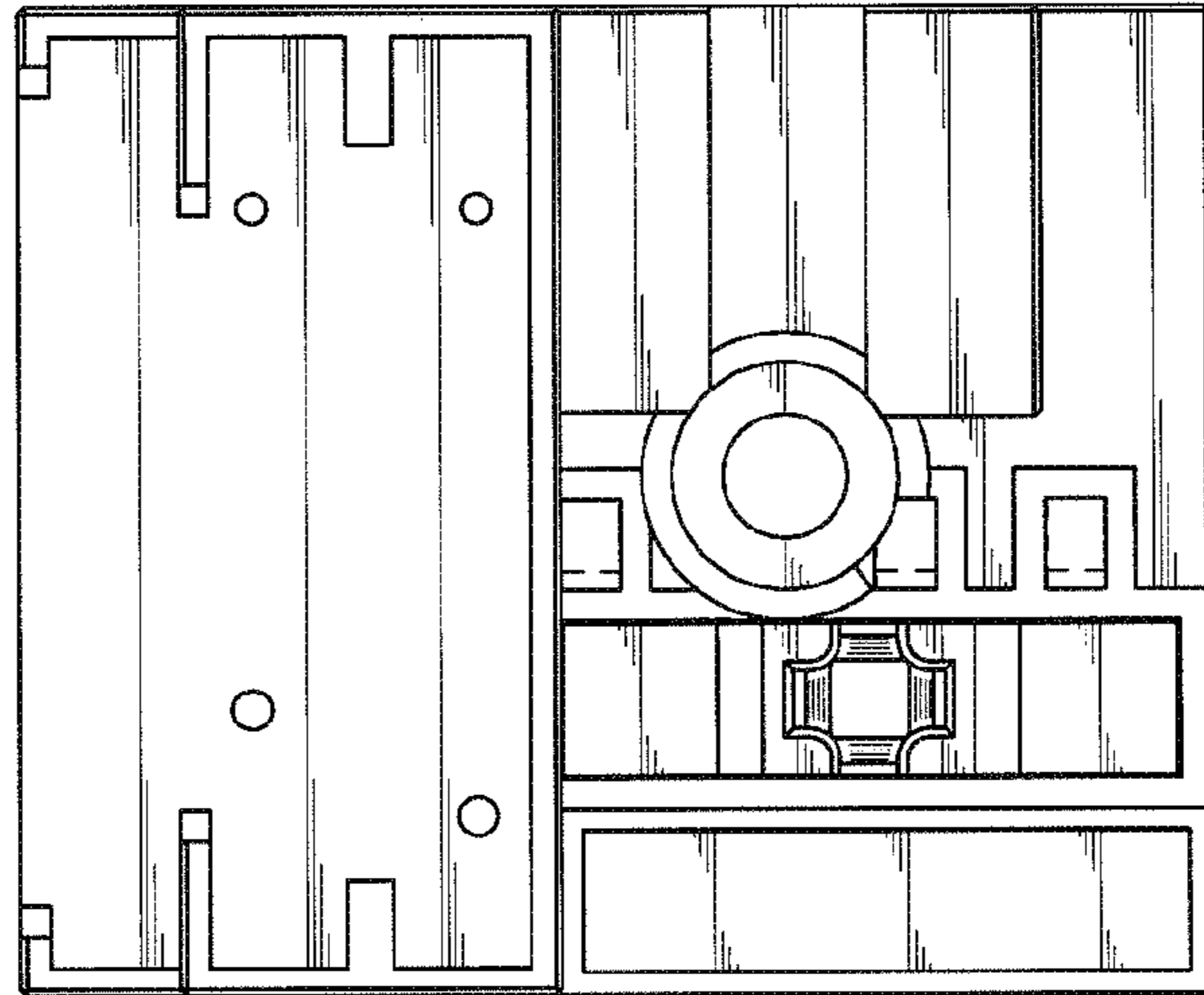


Fig. 9

