



US00D773396S

(12) **United States Design Patent**
Hoffgaard

(10) **Patent No.:** **US D773,396 S**

(45) **Date of Patent:** **** Dec. 6, 2016**

(54) **TRANSPORTATION PLUG FOR BATTERY CASES**

7/0011; H02J 7/0013; H02J 7/0054; H02J 7/0055; H02J 7/0057; H02J 2007/0062
See application file for complete search history.

(71) Applicant: **BAE Batterien GmbH**, Berlin (DE)

(56) **References Cited**

(72) Inventor: **Christian Hoffgaard**, Berlin (DE)

U.S. PATENT DOCUMENTS

(73) Assignee: **BAE BATTERIEN GMBH**, Berlin (DE)

D396,235 S * 7/1998 Tate D14/240
5,854,848 A * 12/1998 Tate H04R 1/04
379/433.03

(**) Term: **14 Years**

(Continued)

(21) Appl. No.: **29/521,084**

Primary Examiner — Rosemary K Tarcza

Assistant Examiner — Sanjeev Paul

(22) Filed: **Mar. 19, 2015**

(74) *Attorney, Agent, or Firm* — Christensen Fonder P.A.

(30) **Foreign Application Priority Data**

(57) **CLAIM**

Sep. 19, 2014 (EM) 002541581-0002

I claim the ornamental design for the transportation plug for battery cases, as shown and described.

(51) **LOC (10) Cl.** **13-01**

DESCRIPTION

(52) **U.S. Cl.**
USPC **D13/119**

FIG. 1 is a perspective view of the transportation plug for battery cases.

(58) **Field of Classification Search**
USPC D13/102–110, 118–119, 184, 199;
D14/356, 432, 240; 320/103, 111–115,
320/135, 138, 140; 429/96–100, 163, 176

FIG. 2 is a front elevational view of the transportation plug for battery cases.

CPC Y02E 60/10; Y02E 60/12; Y02E 60/122;

FIG. 3 is a right side, elevational view of the transportation plug for battery cases.

Y02E 60/124; Y02E 60/50; H01M 2/02;

FIG. 4 is a left side, elevational view of the transportation plug for battery cases.

H01M 2/022; H01M 2/0202; H01M

FIG. 5 is a rear elevational view of the transportation plug for battery cases.

2/0207; H01M 2/0212; H01M

FIG. 6 is a top plan view of the transportation plug for battery cases; and,

2/1061; H01M 2/1022; H01M

FIG. 7 is a bottom plan view of the transportation plug for battery cases.

2/1055; H01M 2/1066; H01M 2/105;

The portions of the transportation plug for battery cases shown in broken lines are for the purpose of illustrating unclaimed portions, and form no part of the claimed design.

H01M 2/20; H01M 2/202; H01M 2/204;

H01M 2/206; H01M 10/44; H01M 10/46;

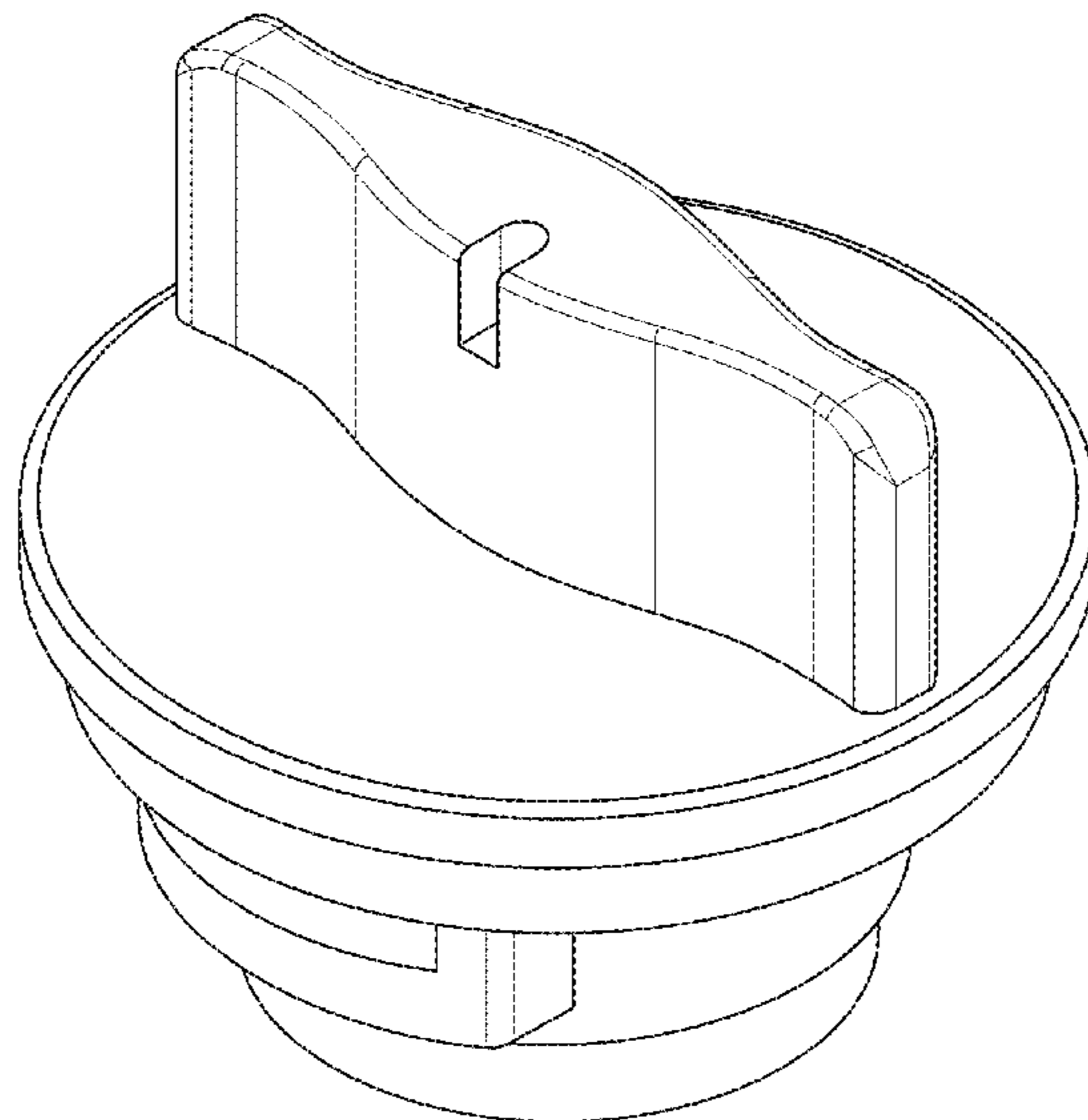
H01M 10/465; H01M 10/482; H01M

10/4257; H01M 10/0436; H01M 10/48;

H01M 2200/30; H01M 2250/30; H01M

2250/40; H02J 7/00; H02J 7/0003; H02J

1 Claim, 7 Drawing Sheets



(56)

References Cited

U.S. PATENT DOCUMENTS

D427,998	S	*	7/2000	Tate	D14/240
D427,999	S	*	7/2000	Tate	D14/240
D439,561	S	*	3/2001	Lee, IV	D13/103
6,285,772	B1	*	9/2001	Tate	H04R 1/406 379/433.03
D515,027	S	*	2/2006	Groh	D13/103
D528,502	S	*	9/2006	Fleetwood	D13/103
D531,117	S	*	10/2006	Schrick	D13/103
D575,734	S	*	8/2008	Groh	D13/119
D593,489	S	*	6/2009	Yang	D13/103
D724,583	S	*	3/2015	Ge	D14/356
2005/0241926	A1	*	11/2005	Groh	A01K 15/021 200/50.2
2014/0339895	A1	*	11/2014	Miklitsch	H02J 7/0047 307/31

* cited by examiner

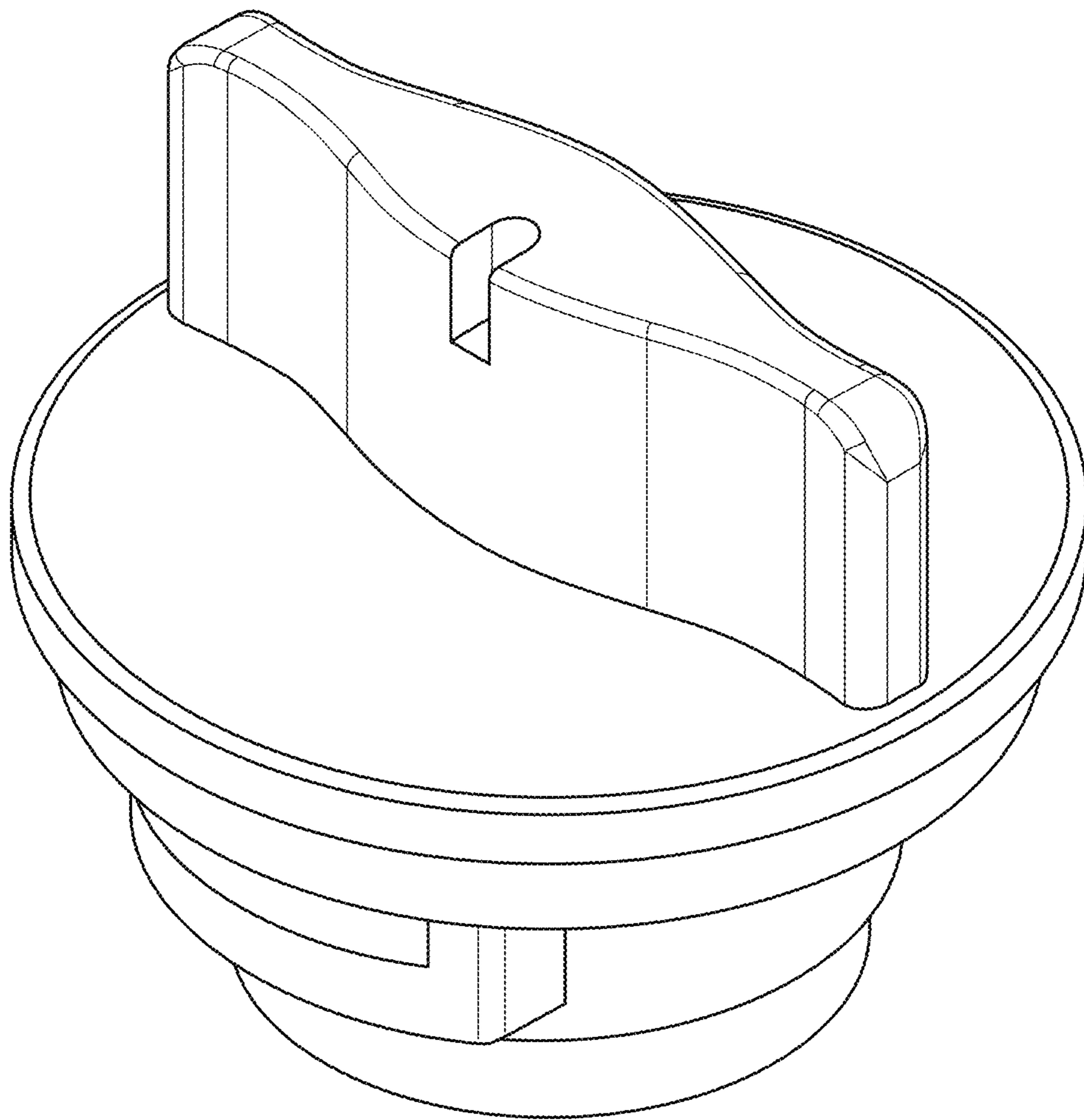


Fig. 1

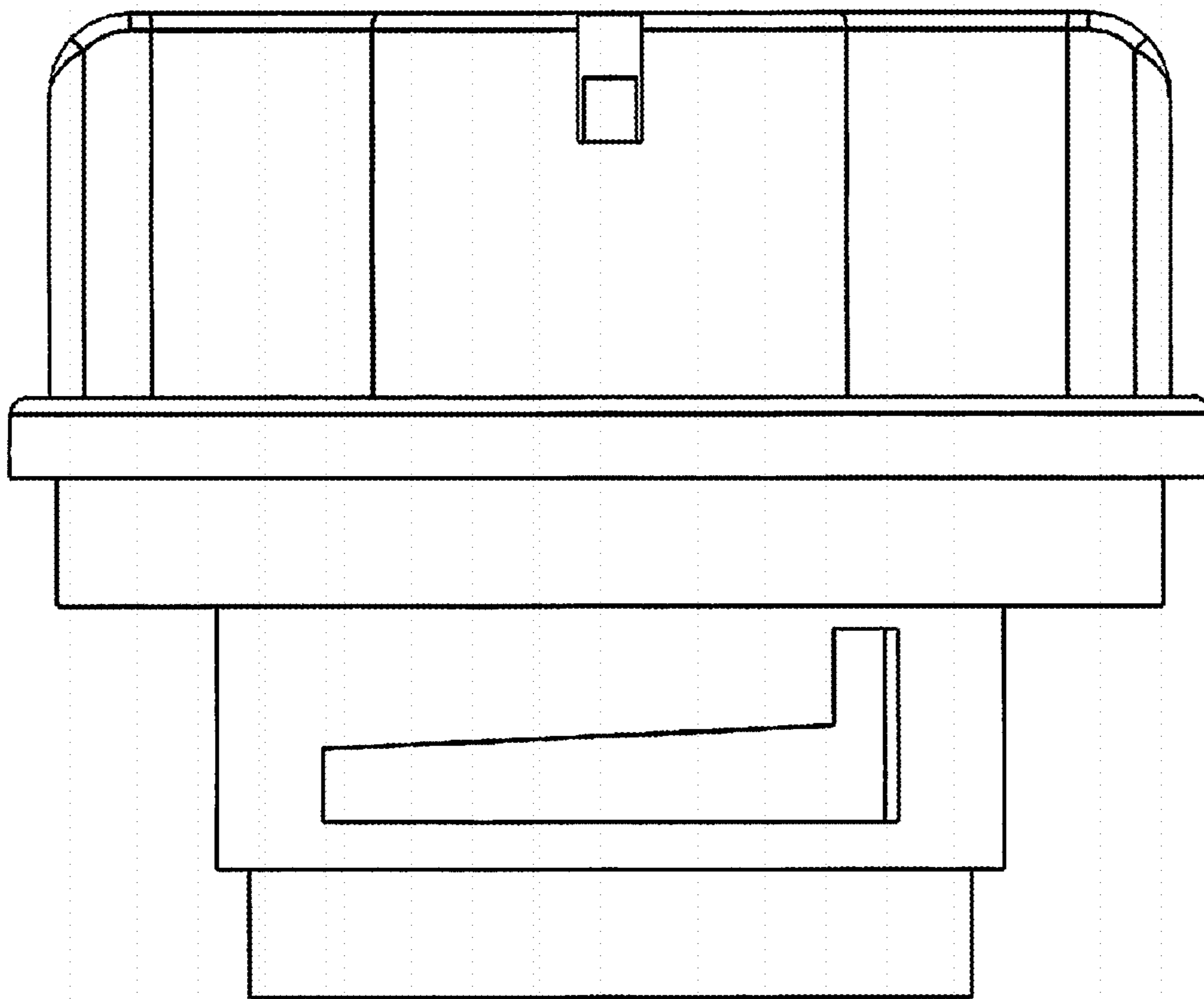


FIG. 2

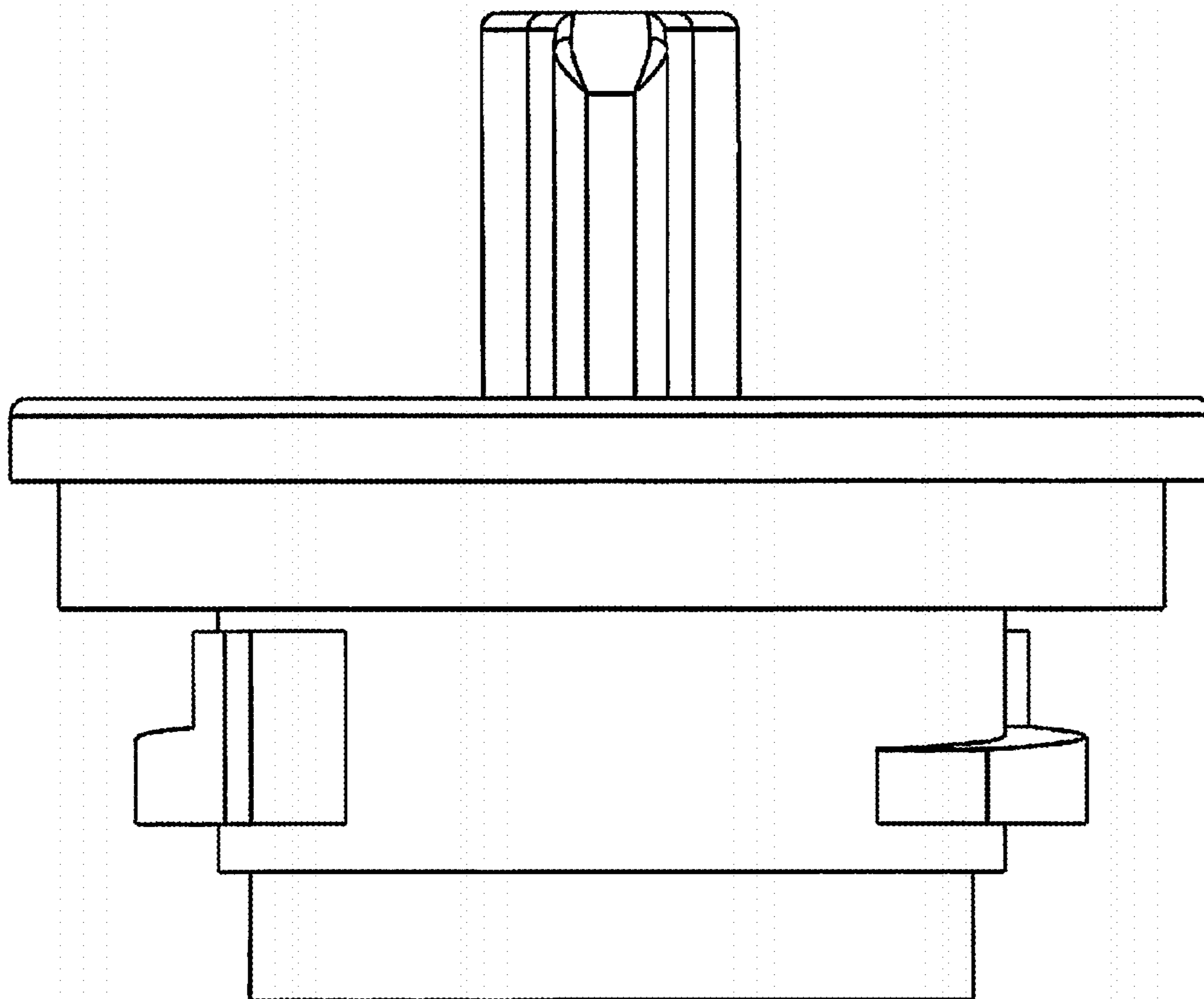


FIG. 3

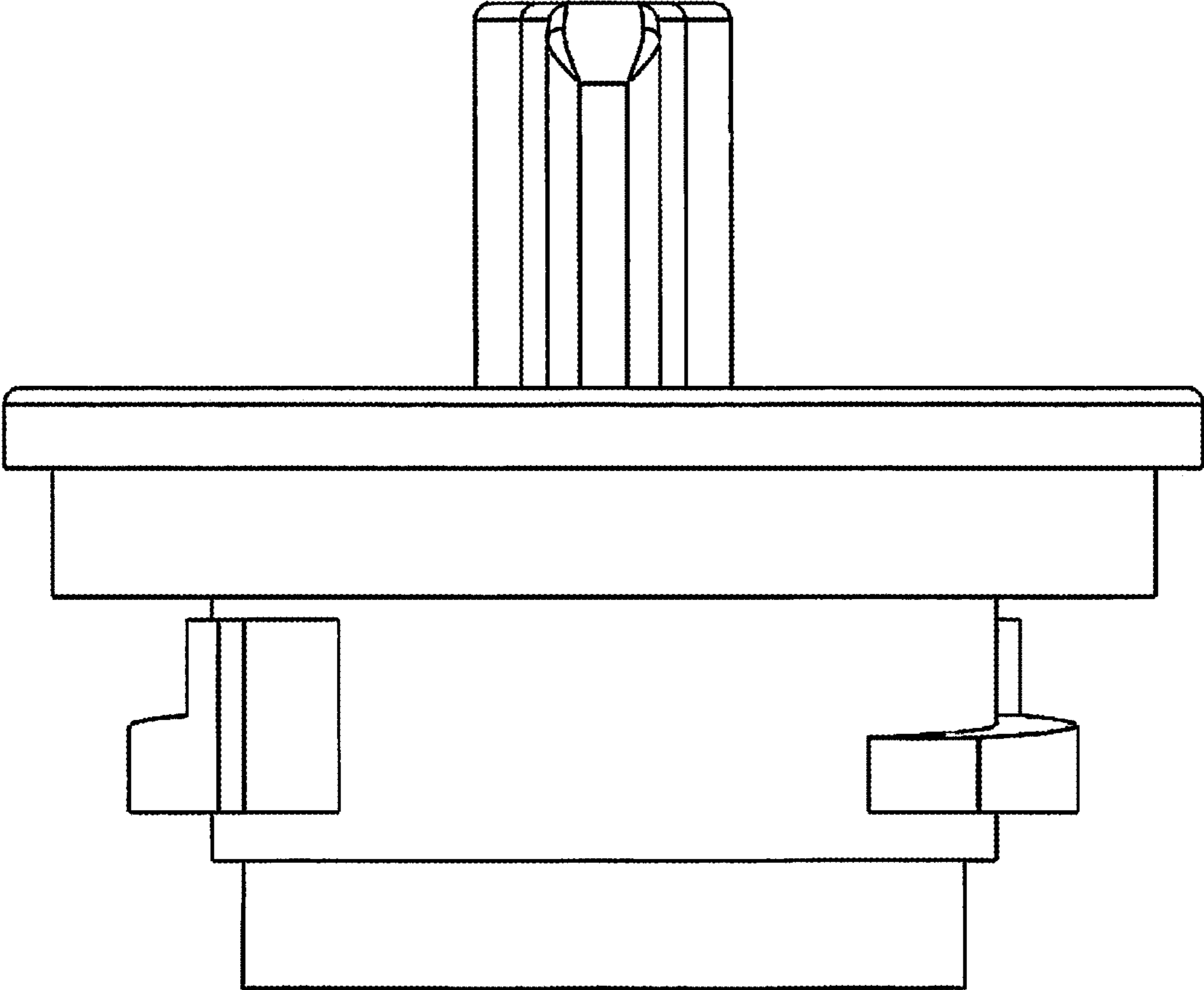


FIG. 4

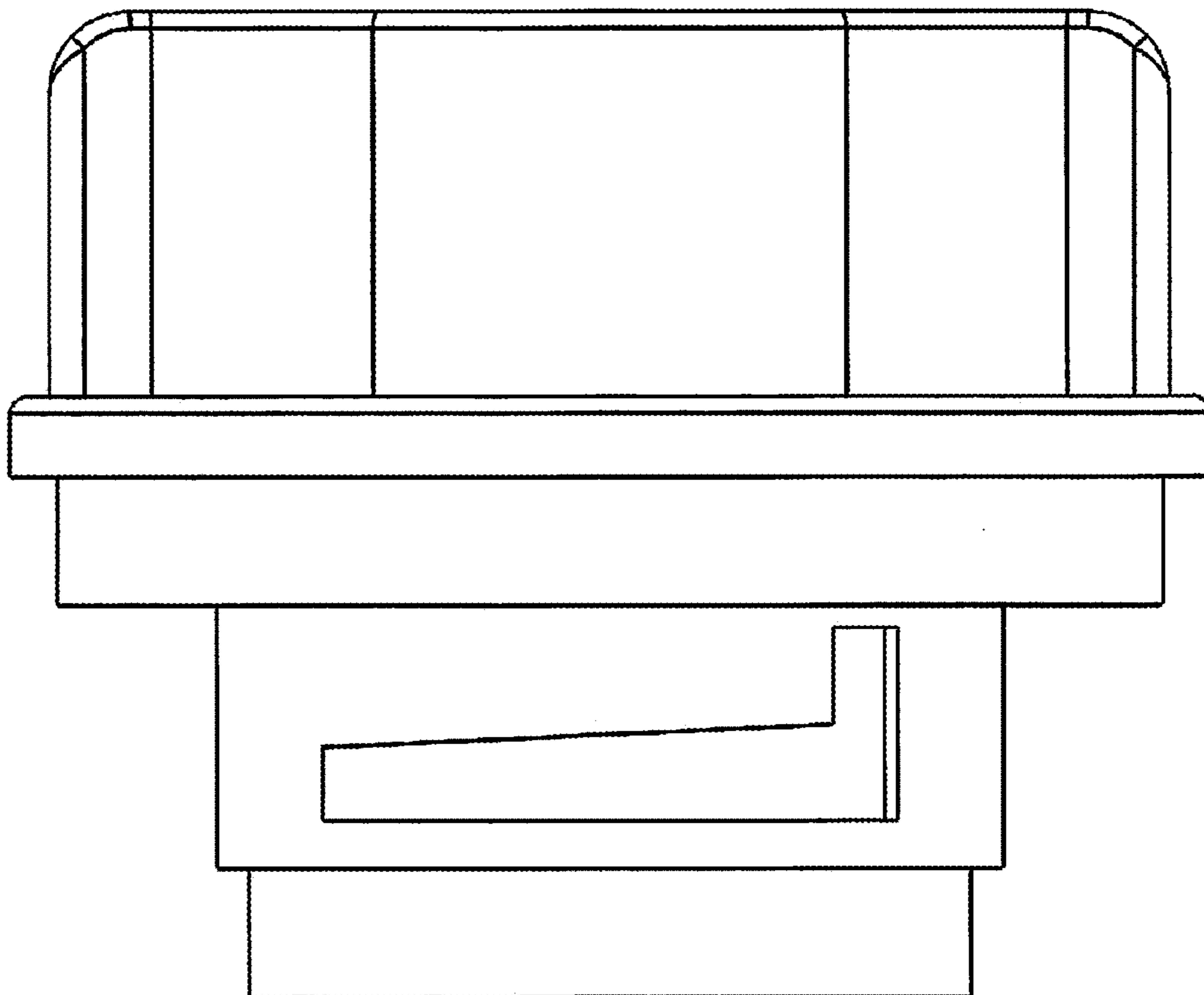


FIG. 5

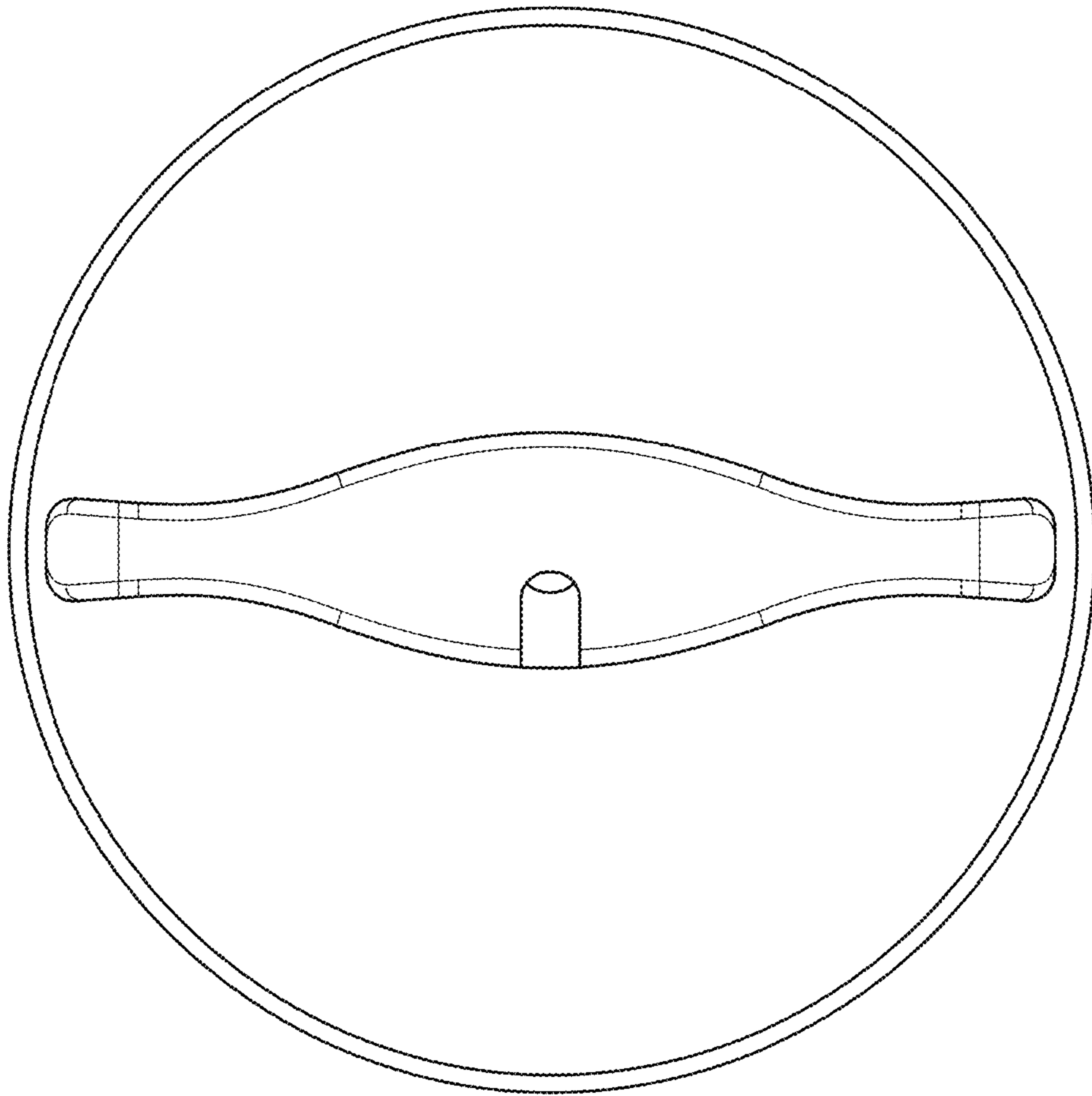


Fig. 6

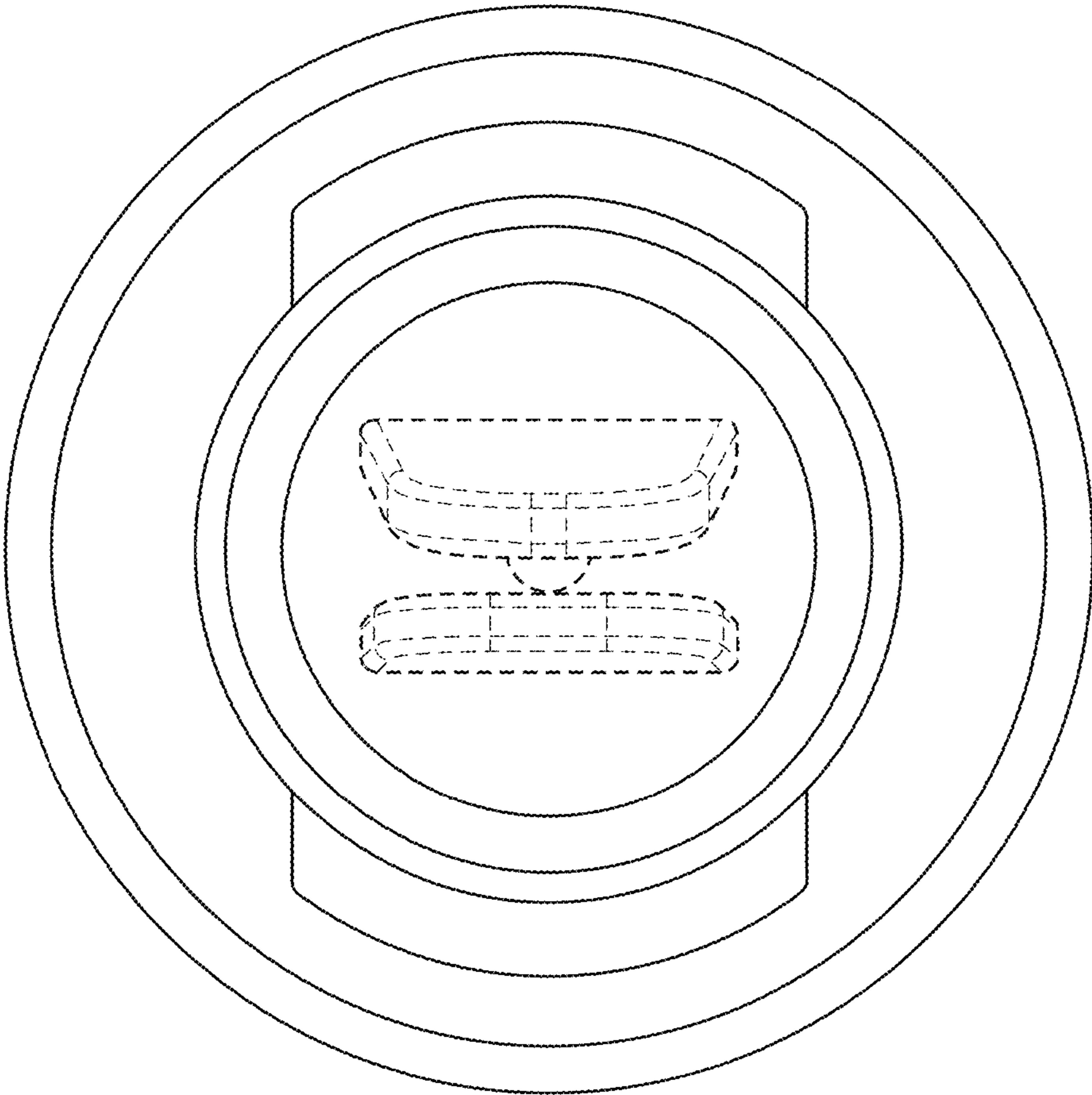


Fig. 7