

US00D773395S

(12) **United States Design Patent** (10) **Patent No.:** **US D773,395 S**
Shatek (45) **Date of Patent:** **** Dec. 6, 2016**

(54) **GENSET ENCLOSURE**
(71) Applicant: **Cummins Inc.**, Columbus, IN (US)
(72) Inventor: **Nick Shatek**, Cambridge, MN (US)
(73) Assignee: **Cummins Inc.**, Columbus, IN (US)
(**) Term: **14 Years**

D416,858 S * 11/1999 Domanski D13/114
6,006,731 A 12/1999 Uzkan
6,028,369 A 2/2000 Hirose et al.
6,039,547 A 3/2000 Hendrix et al.
6,137,080 A * 10/2000 Borchardt et al. 219/133
6,450,133 B1 9/2002 Bernard et al.
6,491,133 B2 12/2002 Yamada et al.
D470,103 S * 2/2003 Nishida D13/116
6,552,454 B2 4/2003 Kern et al.
6,604,916 B2 8/2003 Lu et al.

(Continued)

(21) Appl. No.: **29/503,575**

FOREIGN PATENT DOCUMENTS

(22) Filed: **Sep. 26, 2014**
(51) **LOC (10) Cl.** **13-01**
(52) **U.S. Cl.**
USPC **D13/112**

CN 201403017 Y 2/2010
EP 1612916 A1 1/2006
JP 3422022 B2 2/1994

(58) **Field of Classification Search**
USPC D13/112, 101, 110, 113, 114, 115,
116,D13/118, 122, 184, 199; D23/351,
395; 123/2, 123/3; 290/1 A, 1 B, 1 R;
180/53.1; 322/16, 39; 361/730, 809
CPC F02B 63/04; F02B 63/044; F02B 63/047;
F02D 29/06; Y02E 20/14
See application file for complete search history.

OTHER PUBLICATIONS

International Search Report and Written Opinion issued in PCT/
US2014/057855, mailed Dec. 29, 2014, 13 pages.

(Continued)

Primary Examiner — Derrick Holland
Assistant Examiner — Jennifer O King

(56) **References Cited**
U.S. PATENT DOCUMENTS

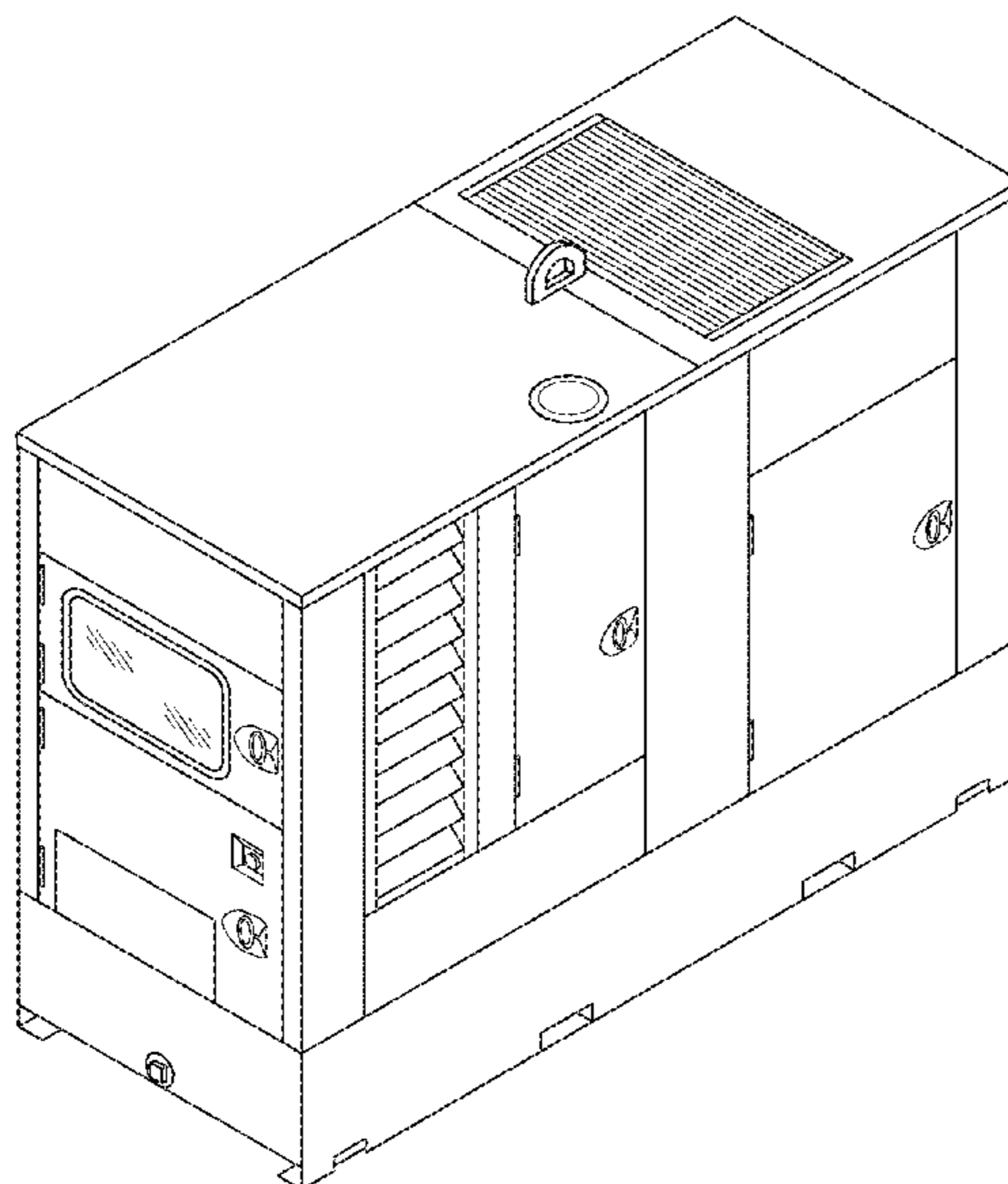
(57) **CLAIM**
The ornamental design for a genset enclosure, as shown and
described.

D217,240 S 4/1970 Holtkamp
4,136,432 A 1/1979 Melley et al.
4,243,893 A 1/1981 Sten
D266,235 S 9/1982 Hughes
D279,977 S * 8/1985 Bonazelli D13/116
4,608,946 A 9/1986 Tanaka et al.
4,733,750 A 3/1988 Poirier et al.
4,835,405 A 5/1989 Clancey et al.
4,907,546 A 3/1990 Ishii et al.
4,992,669 A 2/1991 Parmley
5,297,517 A 3/1994 Brandt et al.
5,433,175 A 7/1995 Hughes et al.
5,694,889 A 12/1997 Ball et al.

DESCRIPTION

FIG. 1 is a first perspective view of a genset enclosure.
FIG. 2 is a second perspective view of a genset enclosure.
FIG. 3 is a first side view of a genset enclosure.
FIG. 4 is a second side view of a genset enclosure.
FIG. 5 is a front view of a genset enclosure.
FIG. 6 is a back view of a genset enclosure; and,
FIG. 7 is a top view of a genset enclosure.

1 Claim, 6 Drawing Sheets



(56)

References Cited

U.S. PATENT DOCUMENTS

D480,359 S * 10/2003 Yamada et al. D13/114
 6,630,756 B2 10/2003 Kern et al.
 D492,650 S * 7/2004 Nishi D13/110
 6,784,574 B2 8/2004 Turner et al.
 D503,381 S * 3/2005 Mizokami et al. D13/114
 6,895,903 B2 5/2005 Champion
 D515,030 S 2/2006 Yasuda et al.
 7,007,966 B2 3/2006 Champion
 7,081,682 B2 7/2006 Champion
 D534,863 S 1/2007 Yasuda et al.
 7,221,061 B2 5/2007 Alger et al.
 7,314,397 B2 1/2008 Sodemann et al.
 D571,292 S * 6/2008 Murata et al. D13/114
 D575,733 S * 8/2008 Murata et al. D13/114
 7,482,705 B2 1/2009 Piercey, III
 7,589,429 B2 9/2009 Hunter
 7,608,934 B1 10/2009 Hunter
 7,795,745 B2 9/2010 Mellon et al.
 D629,878 S * 12/2010 Kaiser D23/351
 8,196,555 B2 6/2012 Ikeda et al.
 8,207,621 B2 6/2012 Hunter
 8,294,285 B2 10/2012 Hunter
 8,427,814 B1 4/2013 Gonce
 D691,925 S 10/2013 Hindle
 8,555,824 B2 10/2013 Lobsiger
 8,680,728 B2 3/2014 Errera et al.
 D711,825 S * 8/2014 Wilson et al. D13/112

8,960,708 B2 * 2/2015 Ziebert F02B 63/044
 123/2
 8,963,348 B2 * 2/2015 Kawakita F02B 63/044
 123/2
 D729,736 S * 5/2015 Matthews et al. D13/122
 D758,309 S * 6/2016 Terada D13/112
 2004/0219079 A1 11/2004 Hagen et al.
 2006/0080971 A1 4/2006 Smith et al.
 2007/0132243 A1 6/2007 Wurtele et al.
 2007/0267870 A1 * 11/2007 Ambrose 290/1 A
 2008/0129053 A1 6/2008 Piercey
 2011/0114036 A1 * 5/2011 Radtke et al. 123/2
 2011/0115235 A1 5/2011 Steffl
 2011/0248511 A1 10/2011 Marlenee et al.
 2013/0314872 A1 * 11/2013 Kawakita et al. 361/695
 2014/0209045 A1 * 7/2014 Hibi et al. 123/2
 2015/0273607 A1 * 10/2015 Denis B23K 9/1006
 219/133
 2016/0040565 A1 * 2/2016 Murai F01M 11/0004
 248/311.2
 2016/0136747 A1 * 5/2016 Trinkner F02M 51/005
 219/133

OTHER PUBLICATIONS

International Search Report and Written Opinion issued in PCT/
 US2014/057864, mailed Dec. 29, 2014, 13 pages.

* cited by examiner

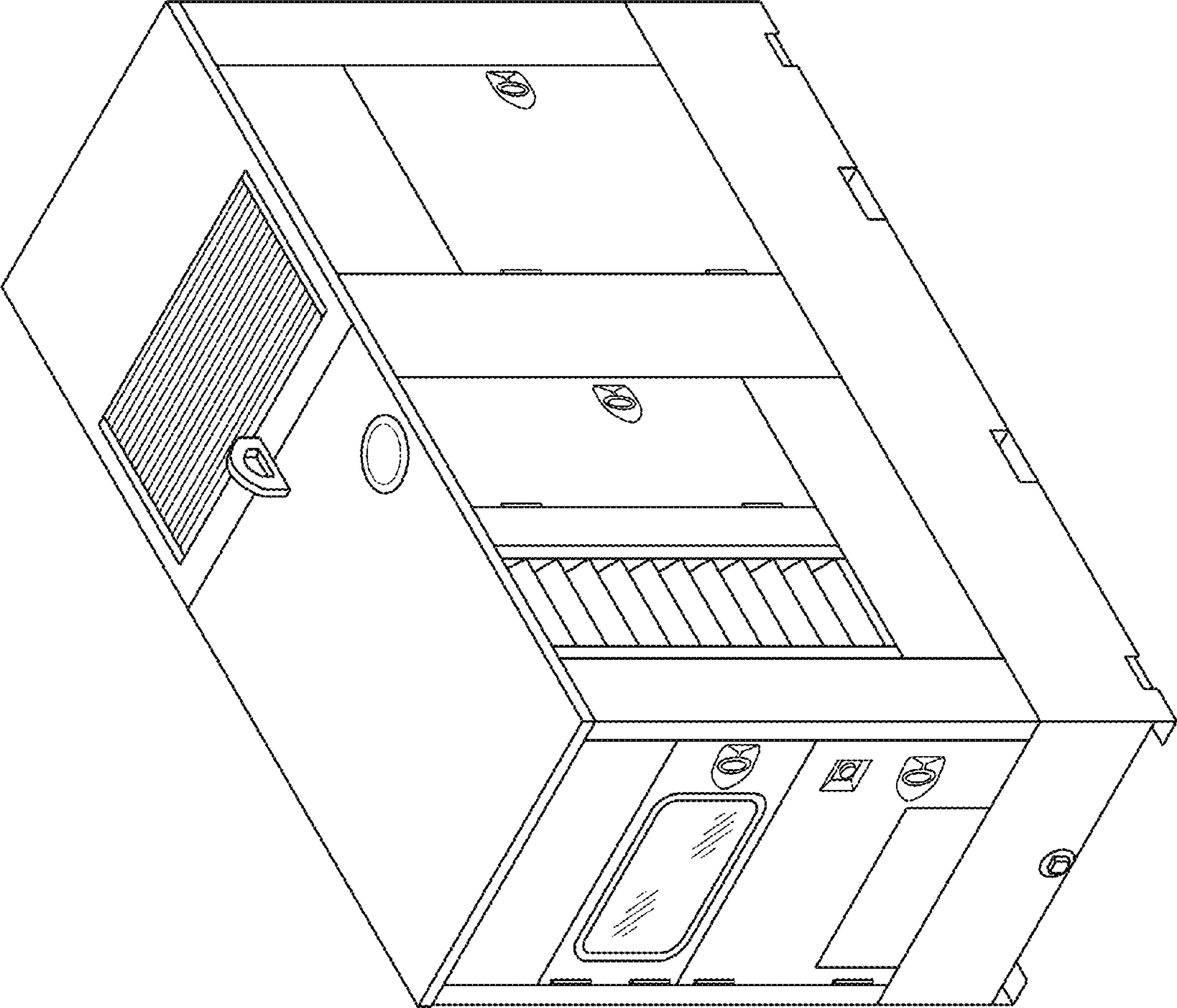


FIG. 1

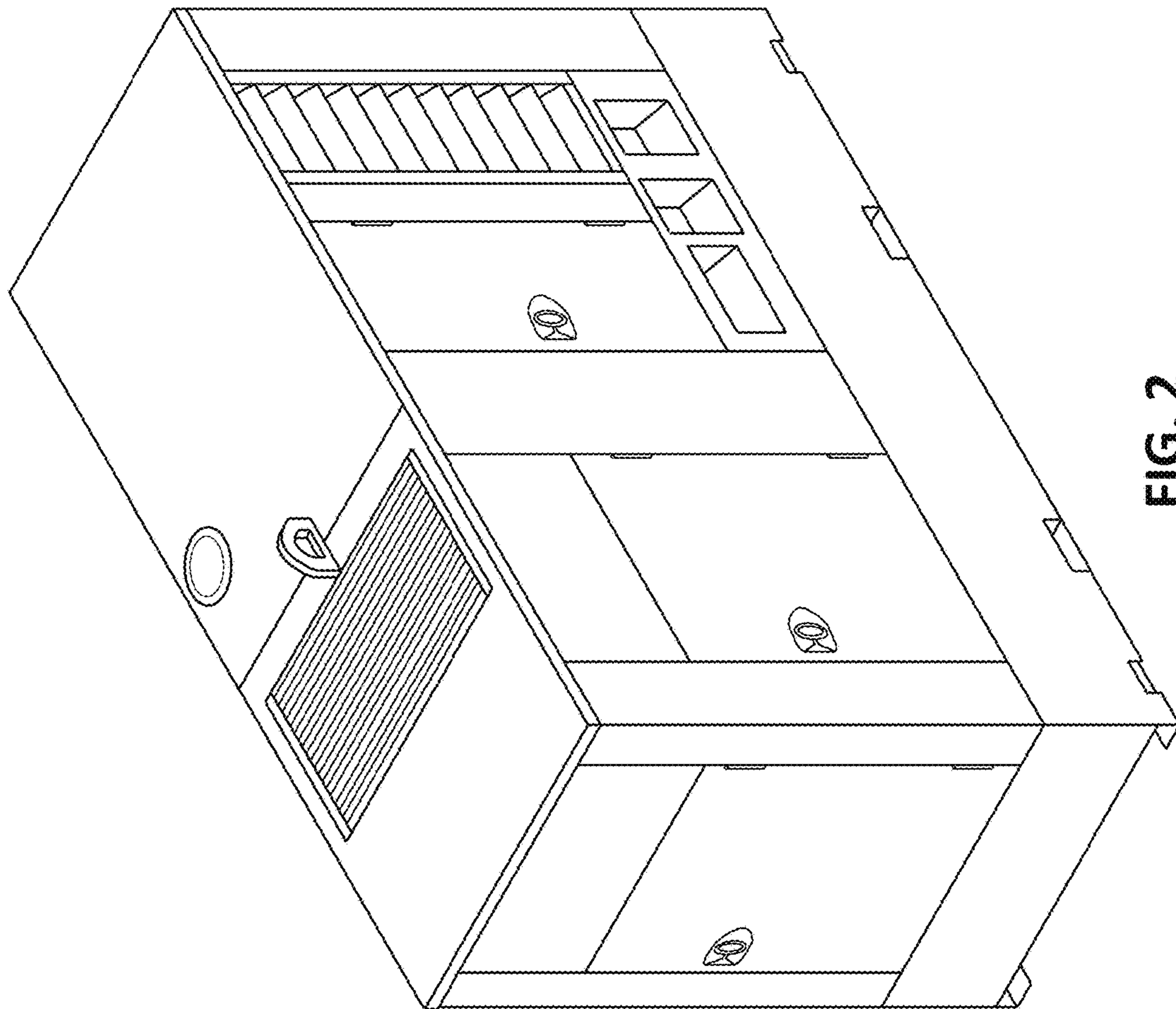


FIG. 2

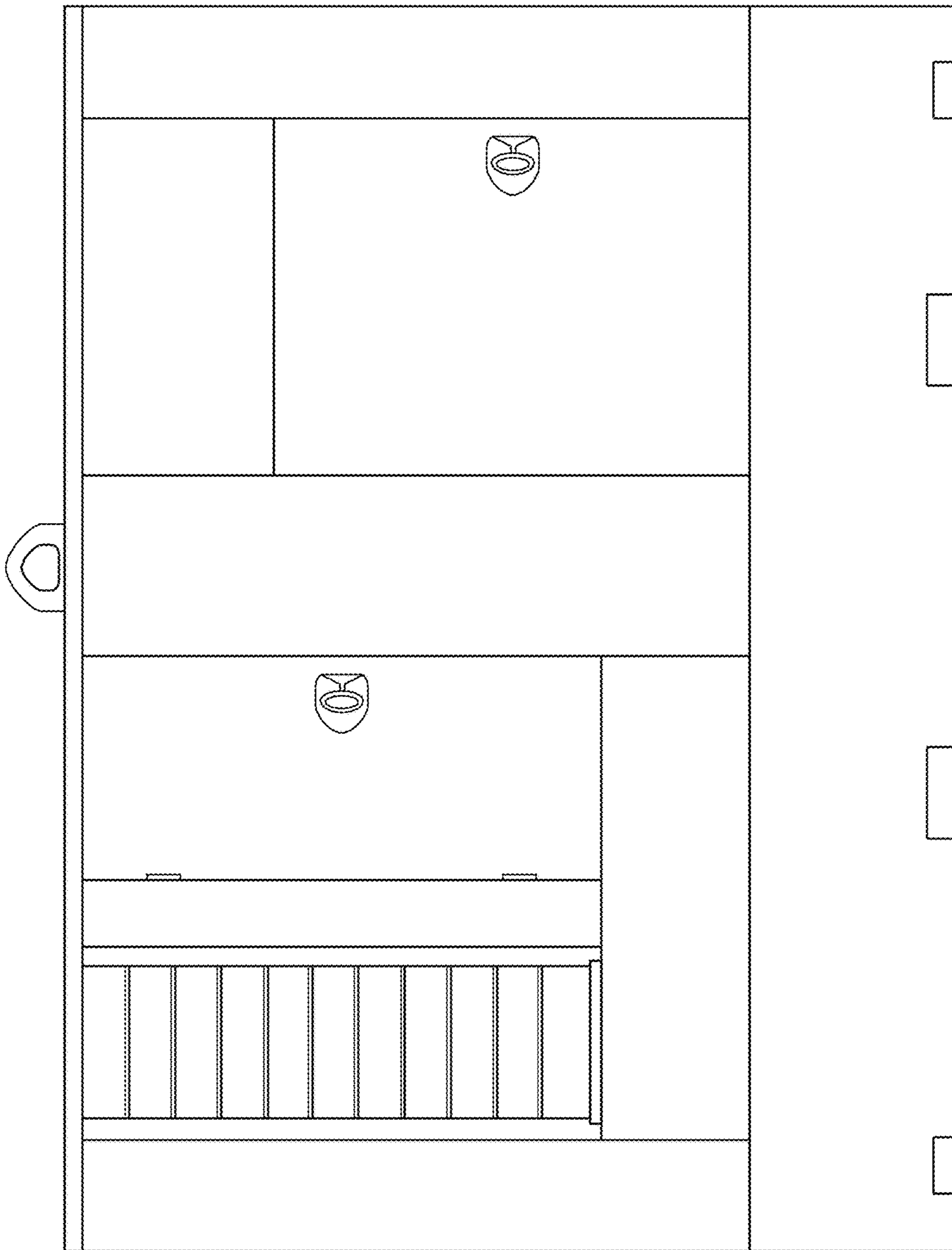


FIG. 3

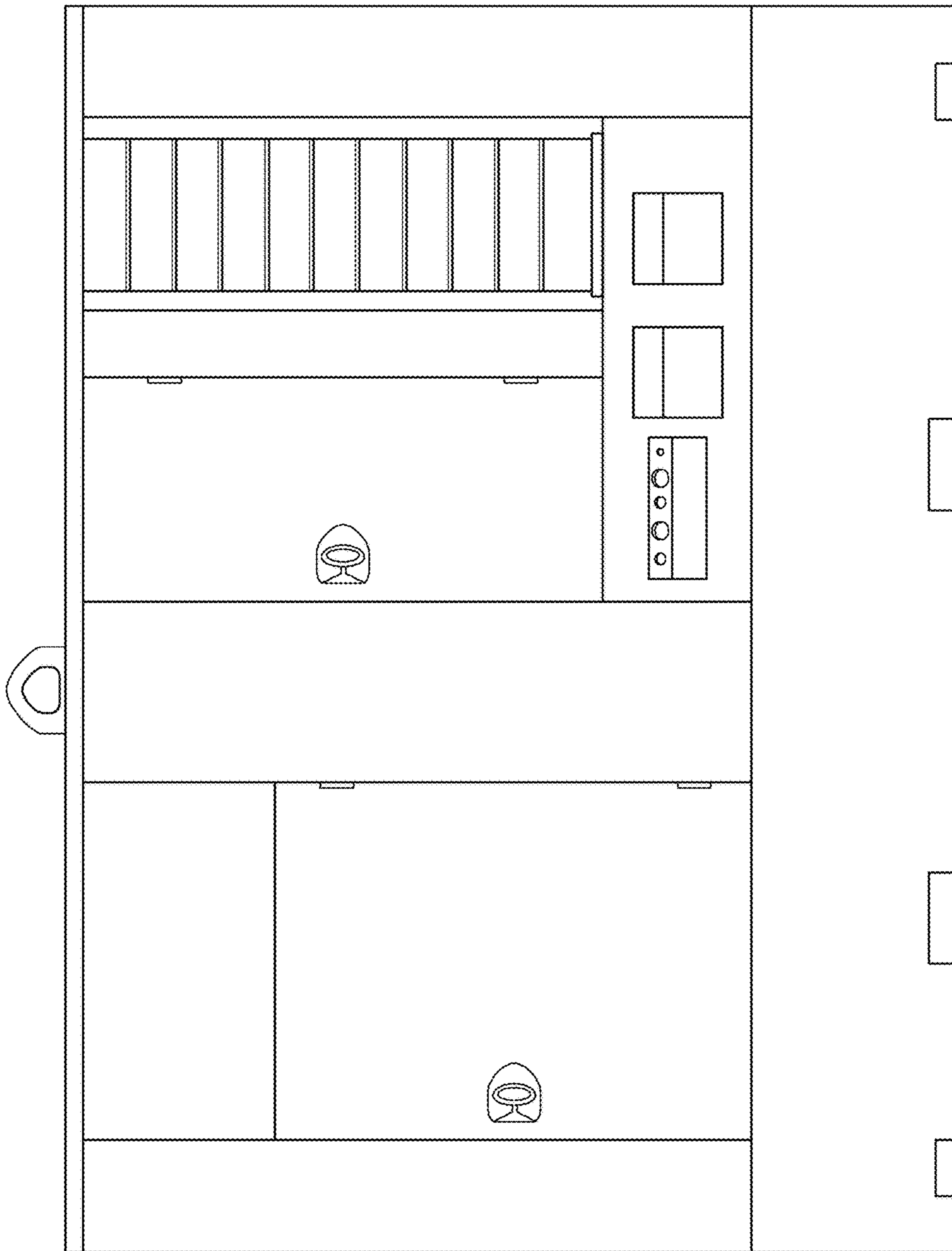


FIG. 4

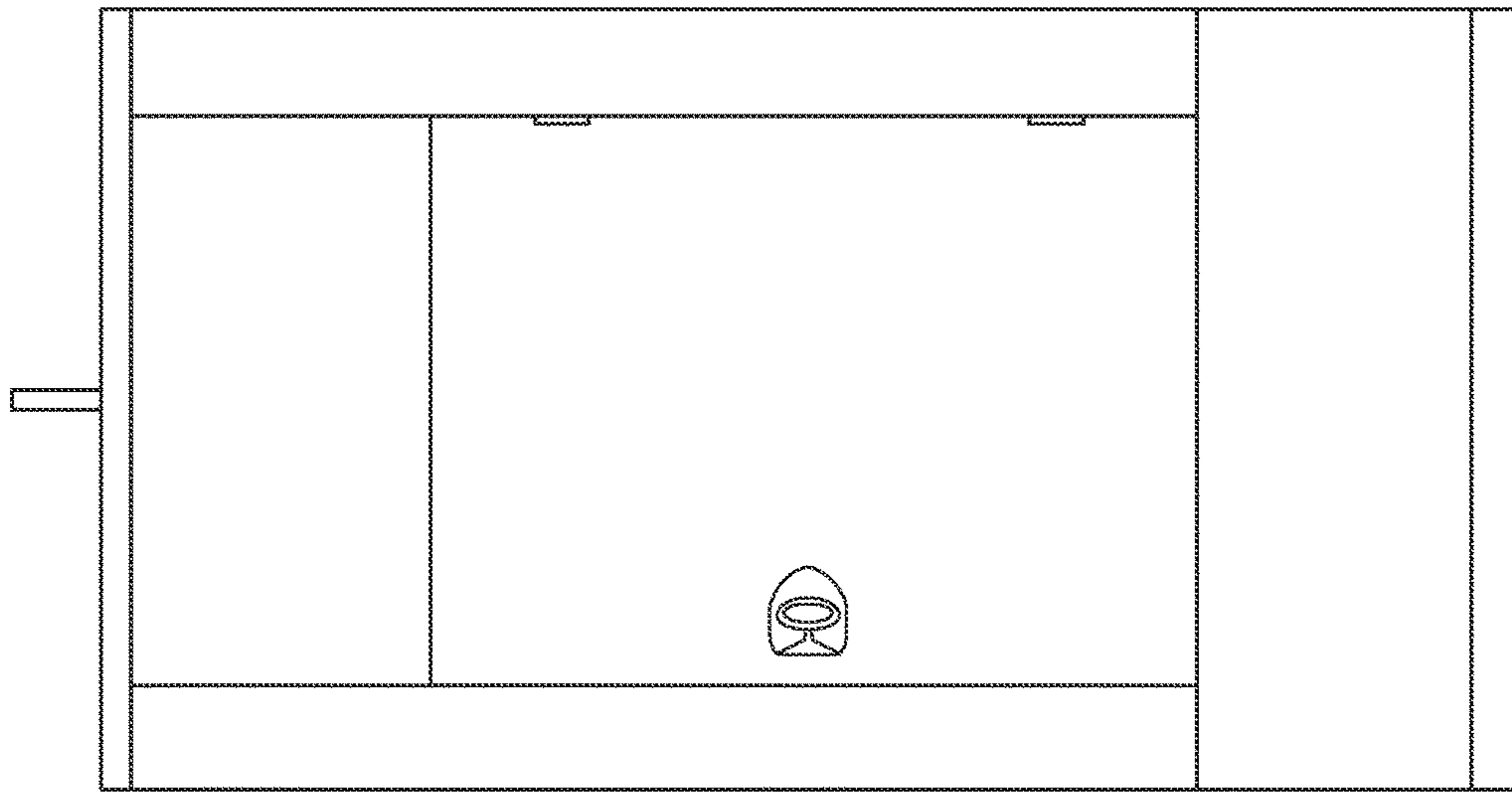


FIG. 6

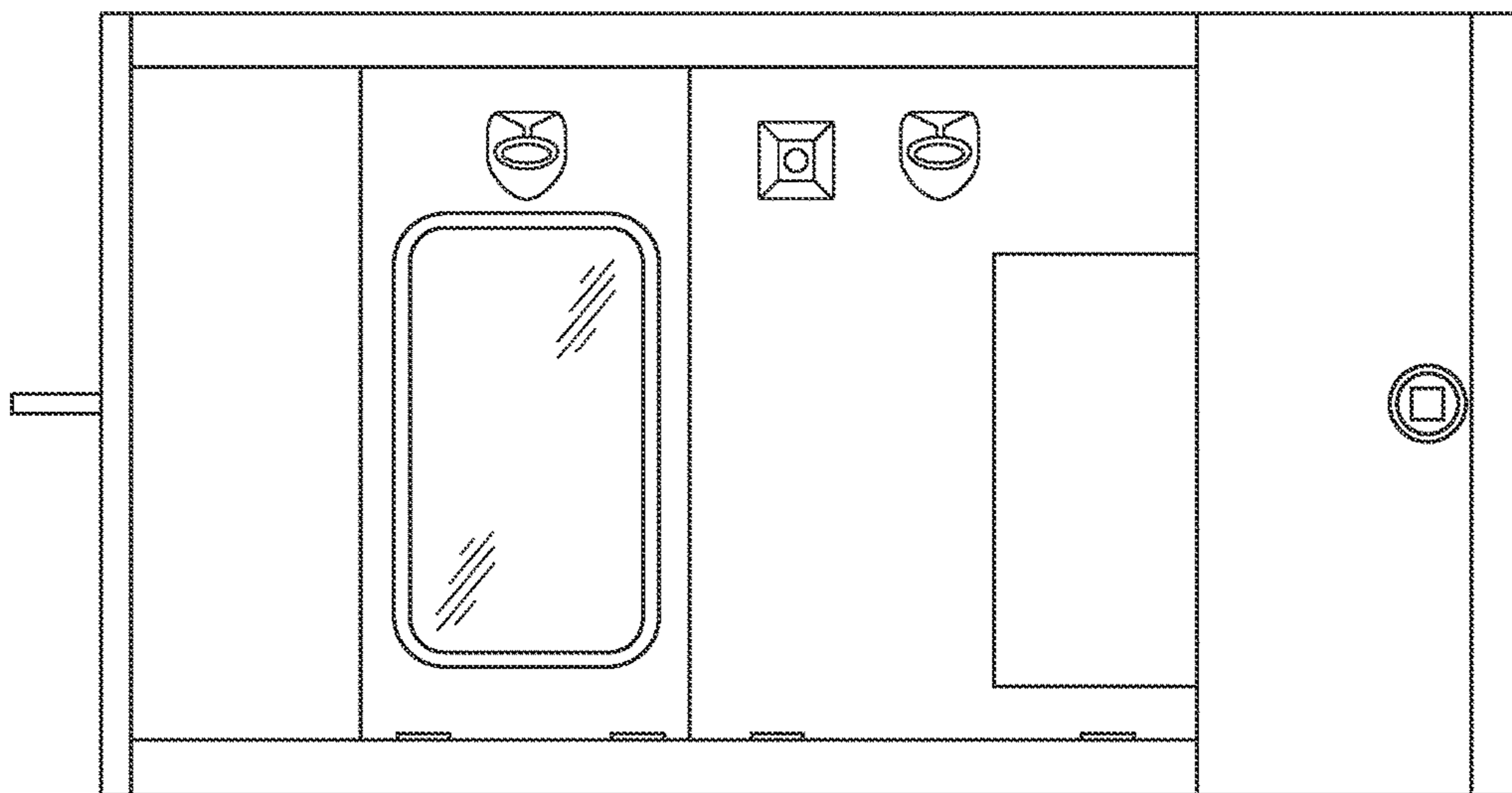


FIG. 5

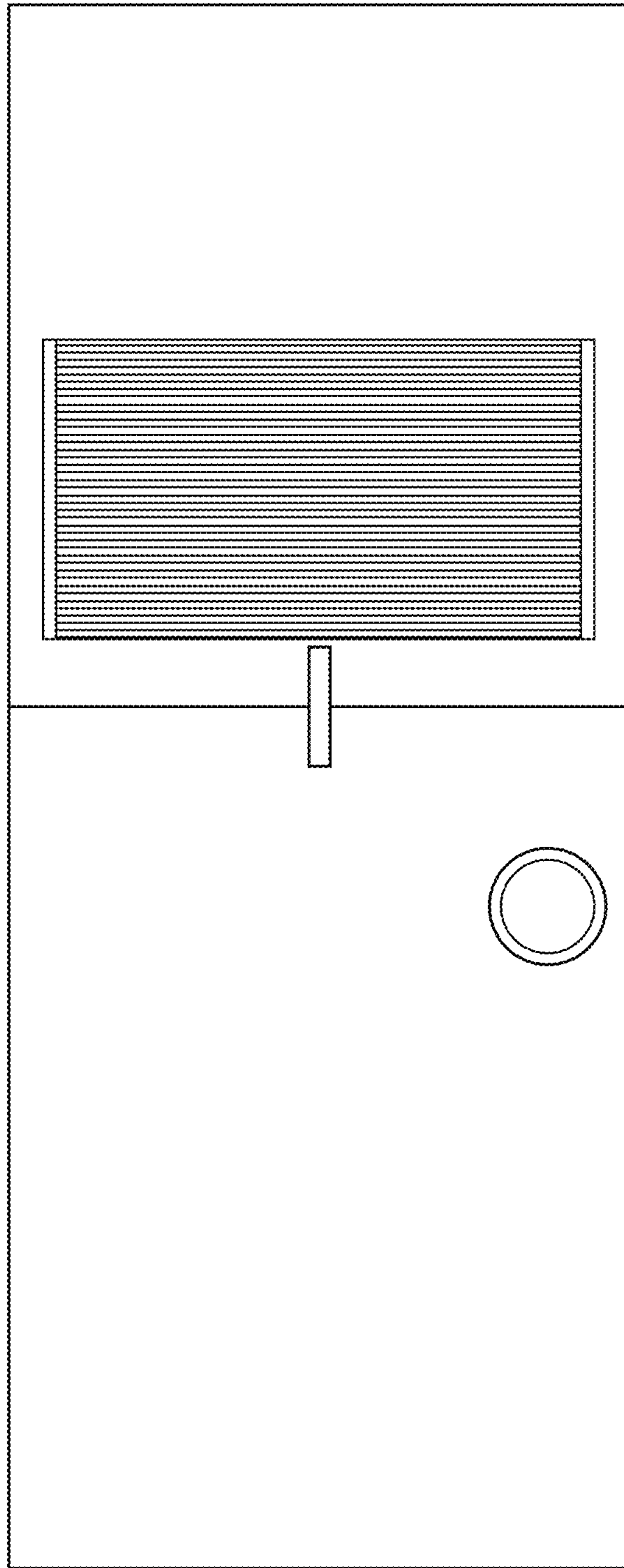


FIG. 7