



US00D773394S

(12) **United States Design Patent** (10) **Patent No.:** **US D773,394 S**  
**Marinelli et al.** (45) **Date of Patent:** **\*\* Dec. 6, 2016**

- (54) **ENCLOSURE FOR ELECTRONIC DEVICE**
- (71) Applicant: **General Electric Company**,  
Schenectady, NY (US)
- (72) Inventors: **Matt Anthony Marinelli**, Lawrence  
Park, PA (US); **Andrew Louis**  
**Krivosnak**, Erie, PA (US); **Mark Allen**  
**Murphy**, Erie, PA (US)
- (73) Assignee: **General Electric Company**,  
Schenectady, NY (US)
- (\*\*) Term: **14 Years**
- (21) Appl. No.: **29/526,255**
- (22) Filed: **May 7, 2015**
- (51) **LOC (10) Cl.** ..... **13-02**
- (52) **U.S. Cl.**  
USPC ..... **D13/110; D13/184**
- (58) **Field of Classification Search**  
USPC ..... D13/110, 123, 124, 158, 162, 184  
CPC ..... H03K 3/57; H03K 17/305; H05K 5/00;  
H05K 9/0037; H03F 3/72; H03F 3/181;  
H03F 3/189; H01L 2223/6644  
See application file for complete search history.

(56) **References Cited**

U.S. PATENT DOCUMENTS

- 5,107,404 A \* 4/1992 Tam ..... H04B 1/38  
361/736
- 5,325,072 A \* 6/1994 Kohjiro ..... H01L 23/66  
257/728
- 5,373,104 A \* 12/1994 Brauer ..... H05K 7/1417  
174/562
- 5,550,713 A \* 8/1996 Pressler ..... H05K 9/0037  
174/371
- 5,566,055 A \* 10/1996 Salvi, Jr. .... H05K 9/0037  
174/358
- 6,222,741 B1 \* 4/2001 Drennen ..... H05K 1/021  
361/706
- D464,618 S \* 10/2002 Ando ..... D13/110

- D466,076 S \* 11/2002 Nagashima ..... D13/110
- D469,059 S \* 1/2003 Ando ..... D13/110
- D503,149 S \* 3/2005 Teramae ..... D13/110
- D556,686 S \* 12/2007 Matsuo ..... D13/110
- D742,340 S \* 11/2015 Krivosnak ..... D13/184
- 2002/0118520 A1 \* 8/2002 Baker ..... H05K 9/0037  
361/752
- 2002/0118521 A1 \* 8/2002 Kooker ..... H05K 9/0037  
361/753
- 2002/0167828 A1 \* 11/2002 Parkhill ..... H01L 25/072  
363/144
- 2005/0269590 A1 \* 12/2005 Kohjiro ..... H01L 23/04  
257/99
- 2011/0186983 A1 \* 8/2011 Hasegawa ..... H01L 23/047  
257/698
- 2013/0322040 A1 \* 12/2013 Watanabe ..... H05K 9/0043  
361/760
- 2015/0341028 A1 \* 11/2015 Tao ..... H03K 17/305  
327/380

\* cited by examiner

*Primary Examiner* — Selina Sikder

(74) *Attorney, Agent, or Firm* — John A. Kramer; Global  
Patent Operation

(57) **CLAIM**

The ornamental design for an enclosure for electronic device, as shown and described.

**DESCRIPTION**

FIG. 1 is a perspective top view of an enclosure for electronic device depicting a first embodiment of a new design;

FIG. 2 is a top plan view thereof;

FIG. 3 is a bottom plan view thereof;

FIG. 4 is an end view thereof;

FIG. 5 is an opposite end view thereof

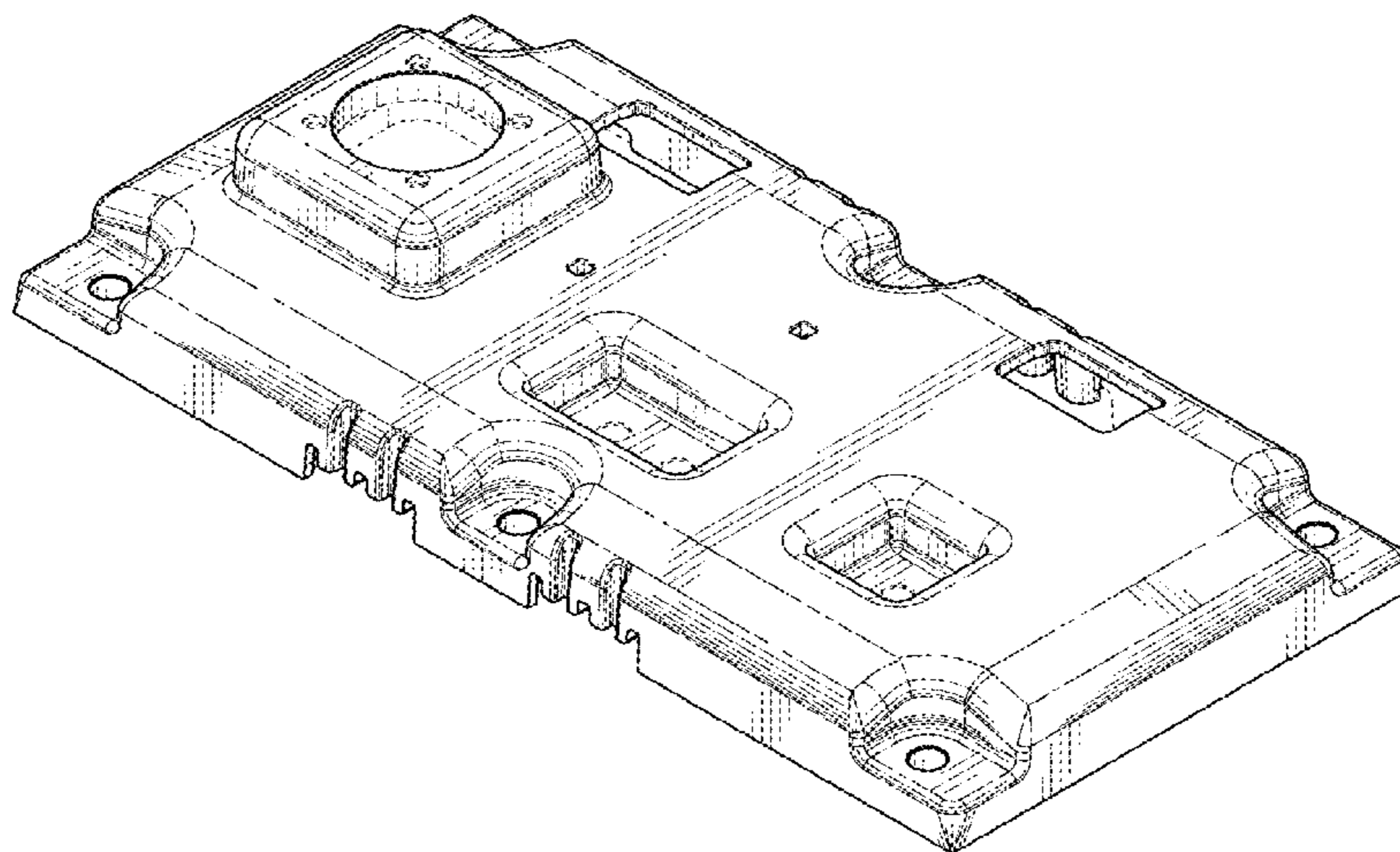
FIG. 6 is a side view thereof;

FIG. 7 is an opposite side view thereof; and,

FIG. 8 is a perspective bottom view thereof.

The broken line portion of the drawings is included to show unclaimed subject matter only and forms no part of the claimed designs.

**1 Claim, 6 Drawing Sheets**



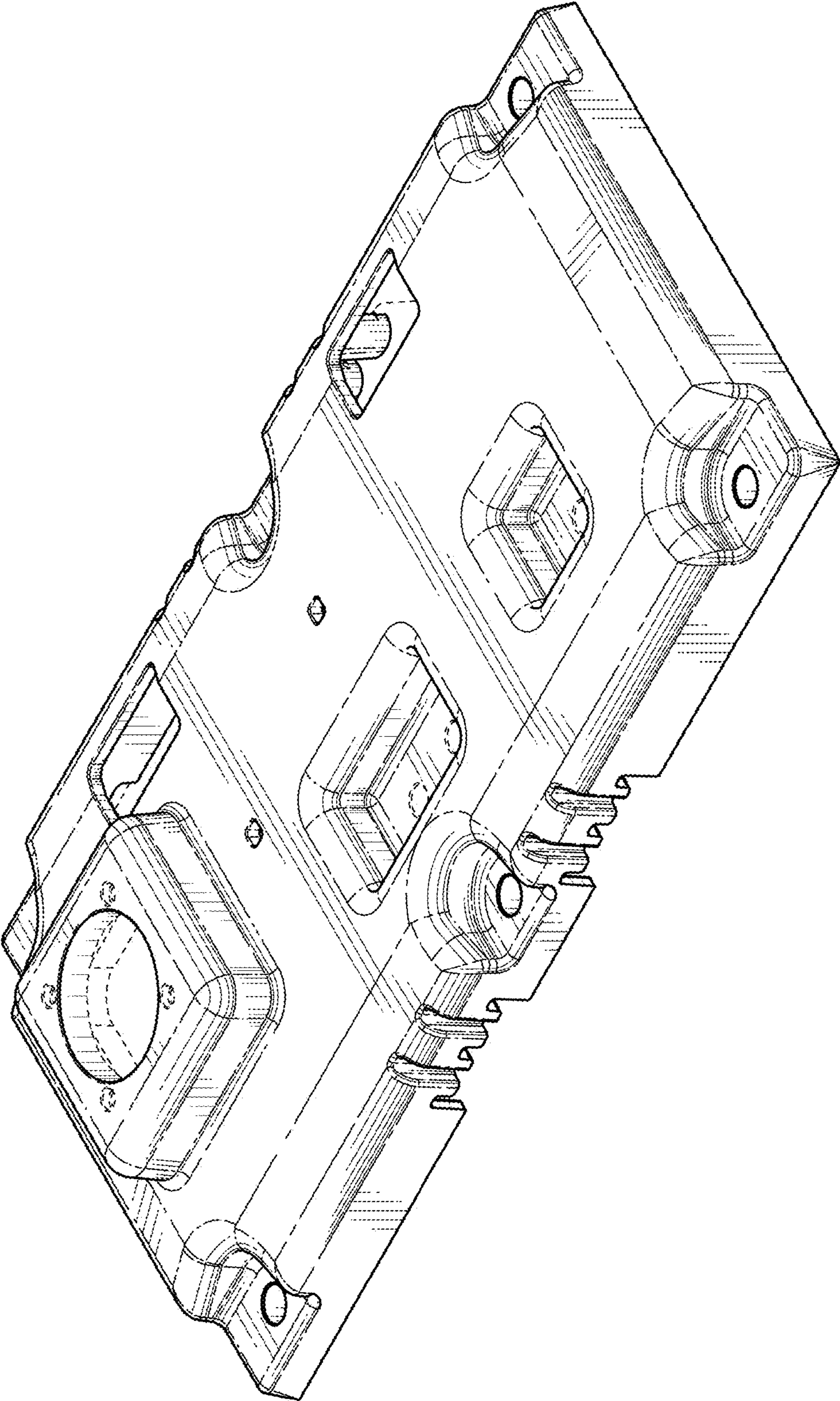


FIG. 1



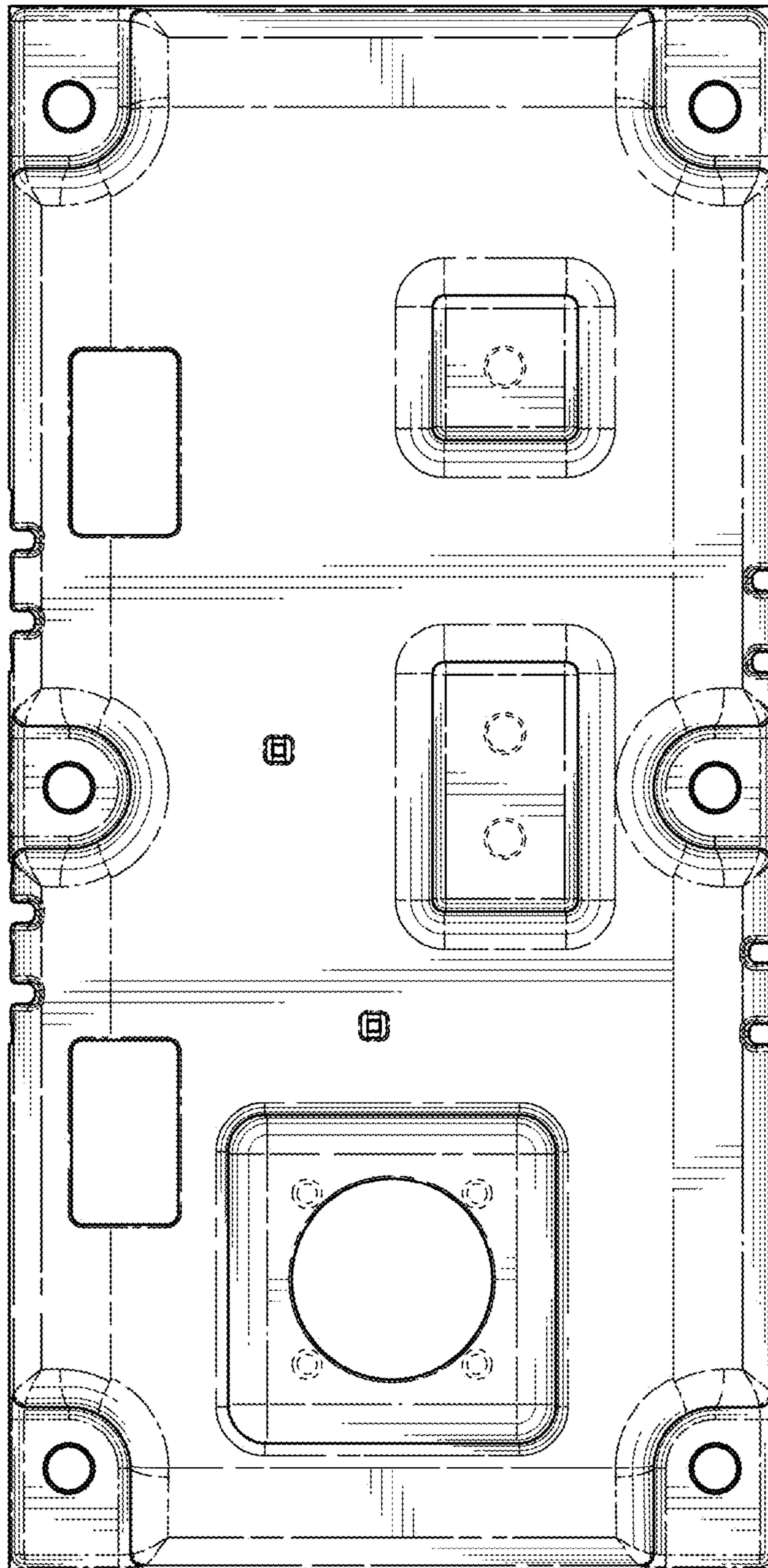


FIG. 2

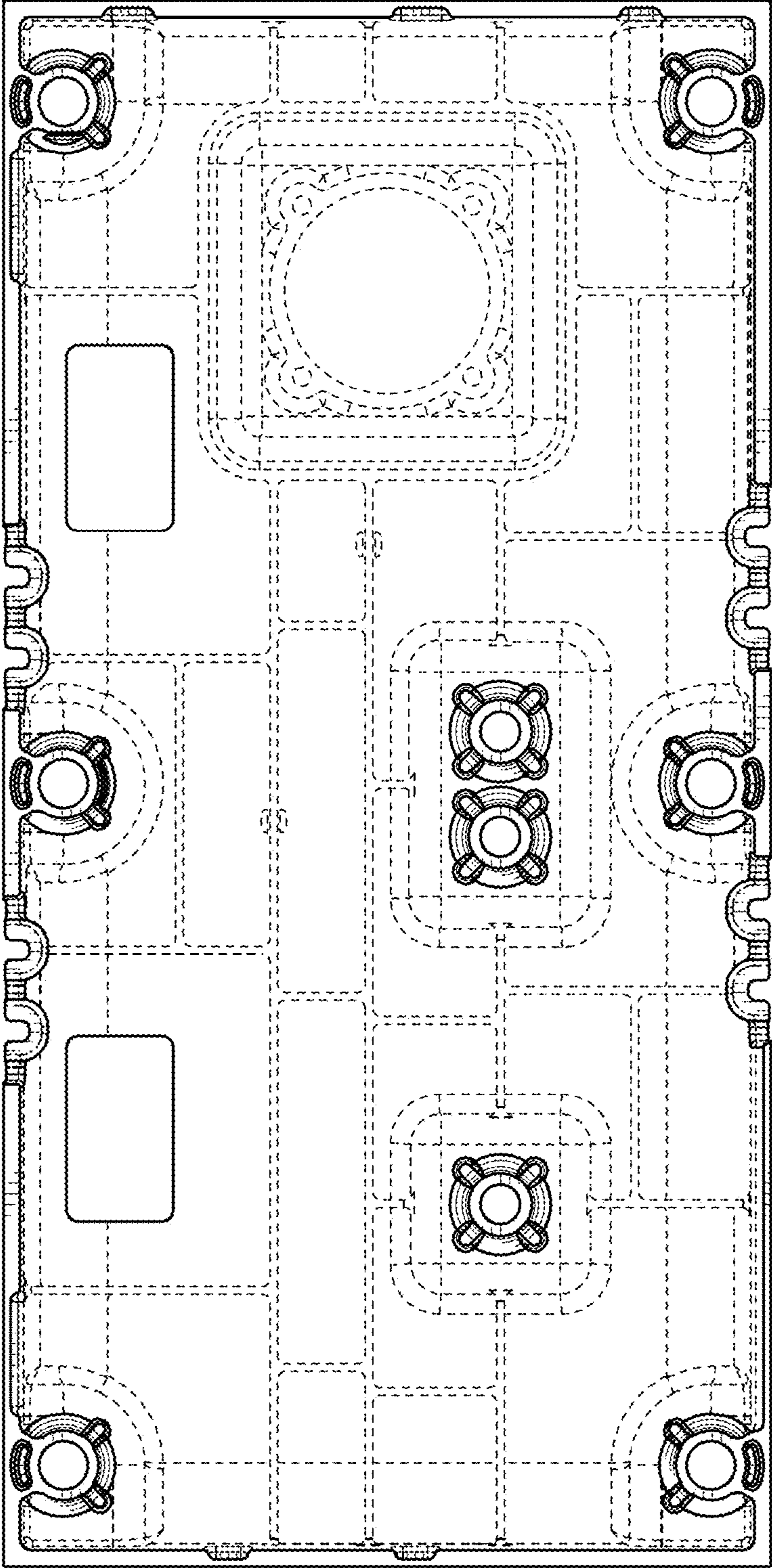


FIG. 3

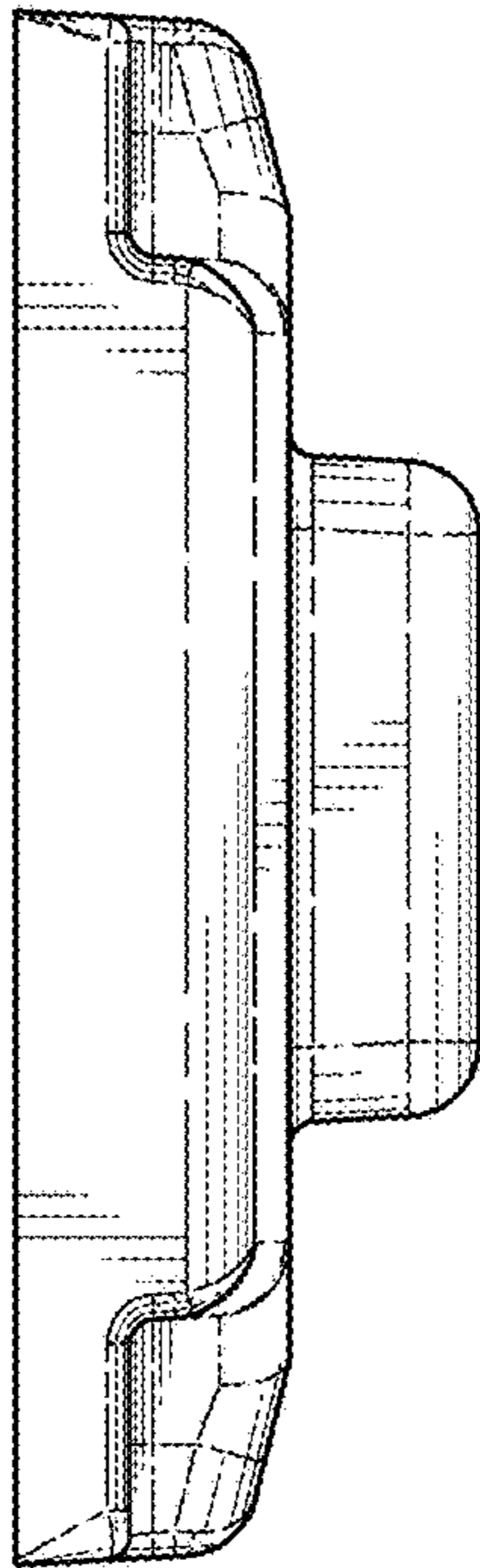


FIG. 4

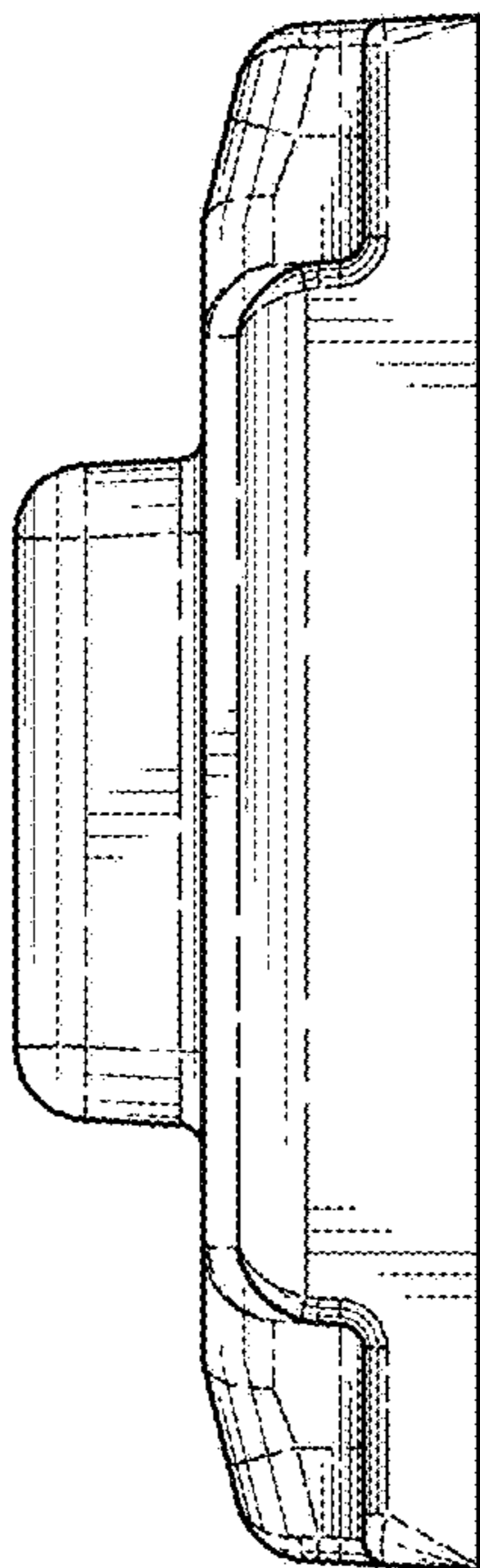


FIG. 5



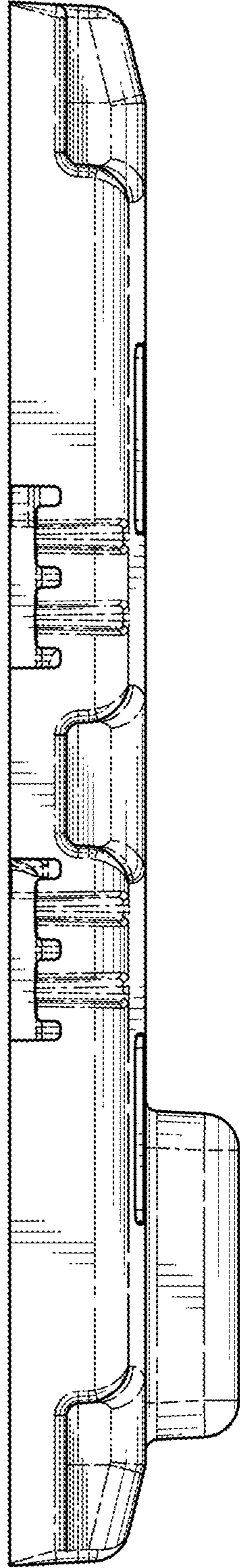


FIG. 6

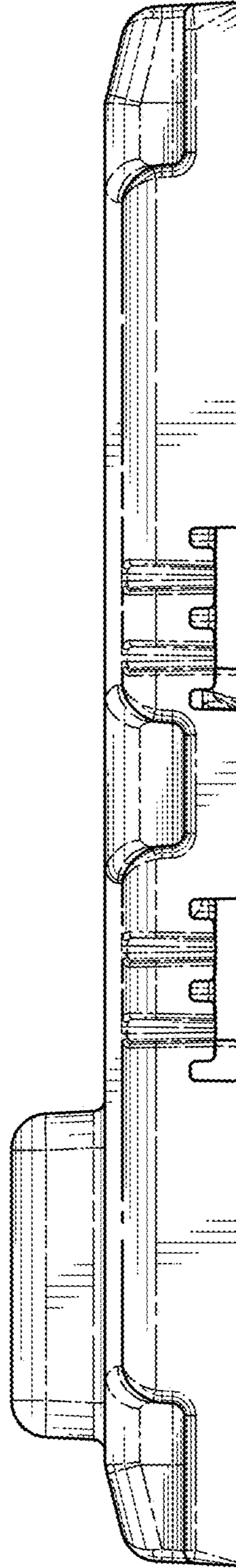


FIG. 7

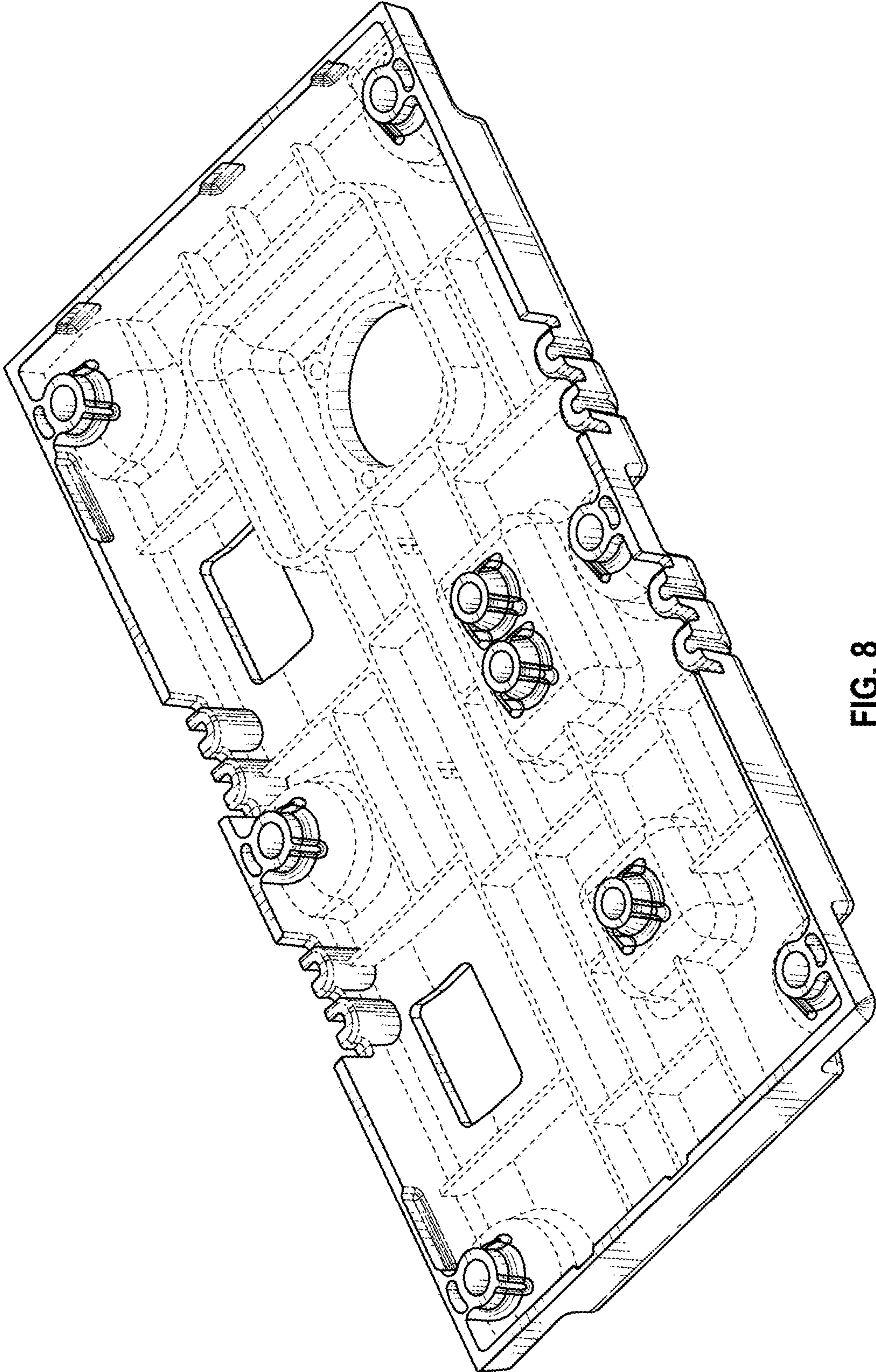


FIG. 8