



US00D773393S

(12) **United States Design Patent** (10) **Patent No.:** **US D773,393 S**  
**Simoni et al.** (45) **Date of Patent:** **\*\* Dec. 6, 2016**

(54) **MODULAR INVERTER ASSEMBLY CASE SET**

(71) Applicant: **ABB Technology AG, Zurich (CH)**

(72) Inventors: **Santi Simoni, Neri Cavriglia (IT); Sauro Collini, Bucine (IT)**

(73) Assignee: **ABB Technology AG, Zurich (CH)**

(\*\*) Term: **14 Years**

(21) Appl. No.: **29/513,155**

(22) Filed: **Dec. 29, 2014**

(30) **Foreign Application Priority Data**

Jul. 4, 2014 (EM) ..... 002496679

(51) **LOC (10) Cl.** ..... **13-02**

(52) **U.S. Cl.**  
USPC ..... **D13/110**

(58) **Field of Classification Search**  
USPC ..... D13/184, 110, 103, 107, 108, 118, 119,  
D13/123, 138.1, 138.2, 139.1, 139.2, 199;  
363/141, 142; 454/184; 361/679.54,  
361/679.55, 679.56; D14/188, 240, 251,  
D14/356, 432, 433, 434  
CPC ..... Y10T 307/325; H01R 13/447; H01R  
13/6675; H01R 31/065; H02J 5/005;  
H02M 1/10  
See application file for complete search history.

(56) **References Cited**

**U.S. PATENT DOCUMENTS**

D281,969 S \* 12/1985 Moeller ..... D13/179  
D287,360 S \* 12/1986 Lehmann ..... D13/184  
D297,136 S \* 8/1988 Collins ..... D10/75  
4,910,770 A \* 3/1990 Collins ..... H04Q 1/025  
361/657  
D312,618 S \* 12/1990 Ambros ..... D13/184  
D314,759 S \* 2/1991 Collins ..... D13/152  
D337,313 S \* 7/1993 Davis ..... D13/184

5,633,926 A \* 5/1997 Cannetti ..... H02G 15/076  
379/413.02  
D405,766 S \* 2/1999 Hartel ..... D13/184  
D417,439 S \* 12/1999 Ropponen ..... D13/184  
D425,493 S \* 5/2000 Cutright ..... D13/184  
D515,046 S \* 2/2006 Kaprelian ..... D13/184  
6,999,305 B1 \* 2/2006 Calcote ..... H02B 1/01  
174/50  
D562,234 S \* 2/2008 Morihara ..... D13/110  
D594,410 S \* 6/2009 Mullen ..... D13/110  
D634,720 S \* 3/2011 Cheng ..... D13/184  
D646,239 S \* 10/2011 Chandler, Jr. .... D13/184  
8,520,381 B2 \* 8/2013 Hobein ..... H02M 7/003  
361/679.54  
D702,198 S \* 4/2014 Gretz ..... D13/152  
D705,727 S \* 5/2014 Hensel ..... D13/102  
D709,449 S \* 7/2014 Oba ..... D13/110  
D730,305 S \* 5/2015 Brunn ..... D13/184

**OTHER PUBLICATIONS**

ABB Catalog dated Aug. 1, 2011.

\* cited by examiner

*Primary Examiner* — Derrick Holland

*Assistant Examiner* — Jennifer O King

(74) *Attorney, Agent, or Firm* — Patterson Intellectual Property Law, P.C.; Mark J. Patterson

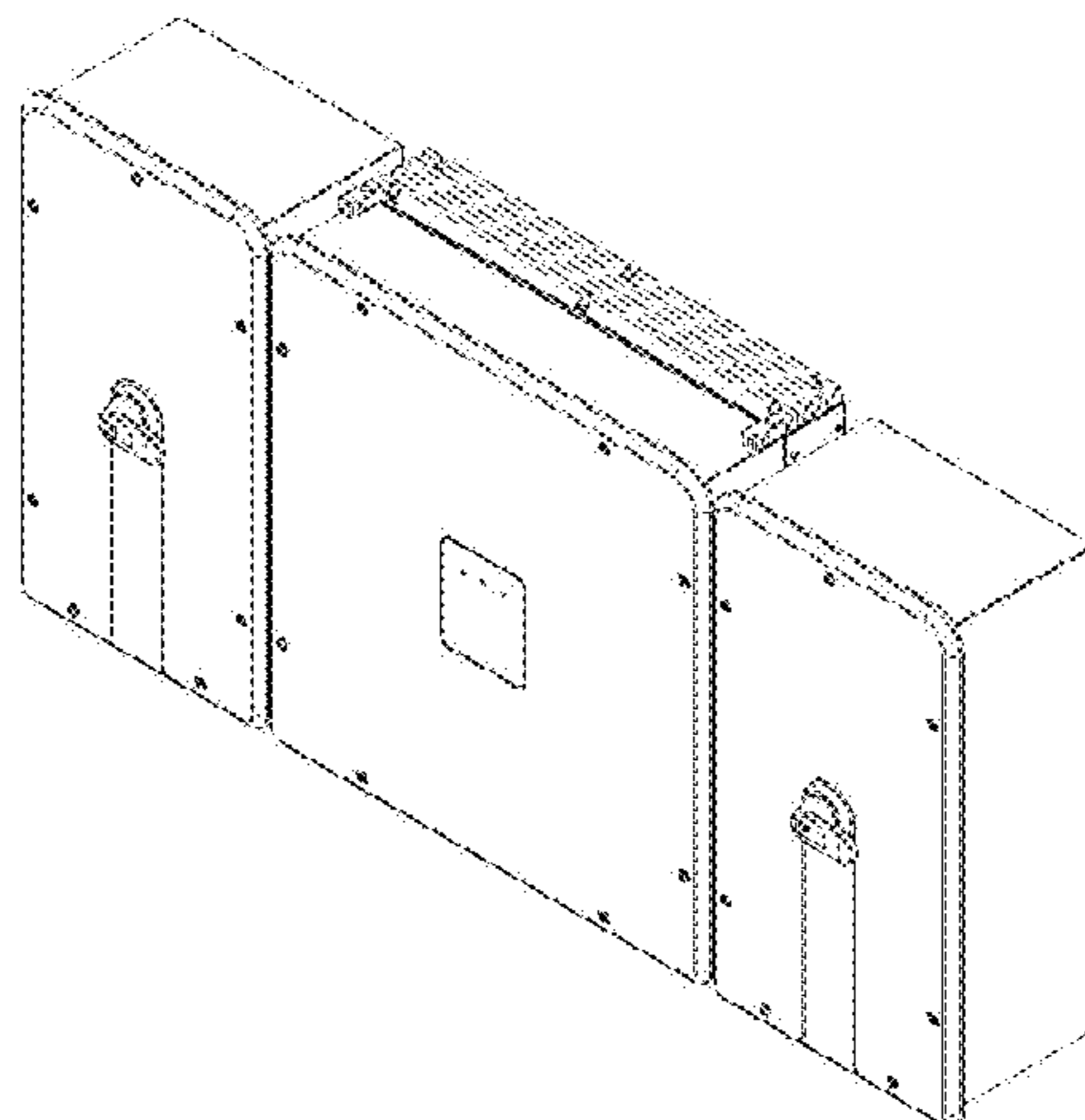
(57) **CLAIM**

What is claimed is the ornamental design for a modular inverter assembly case set, as shown and described.

**DESCRIPTION**

FIG. 1 is an isometric view of a modular inverter assembly case set;  
FIG. 2 is a front view thereof;  
FIG. 3 is a rear view thereof;  
FIG. 4 is a left side view thereof;  
FIG. 5 is a right side view thereof;  
FIG. 6 is a top view thereof; and,  
FIG. 7 is a bottom view thereof.  
The broken lines shown represent unclaimed subject matter and form no part of the claimed design.

**1 Claim, 7 Drawing Sheets**



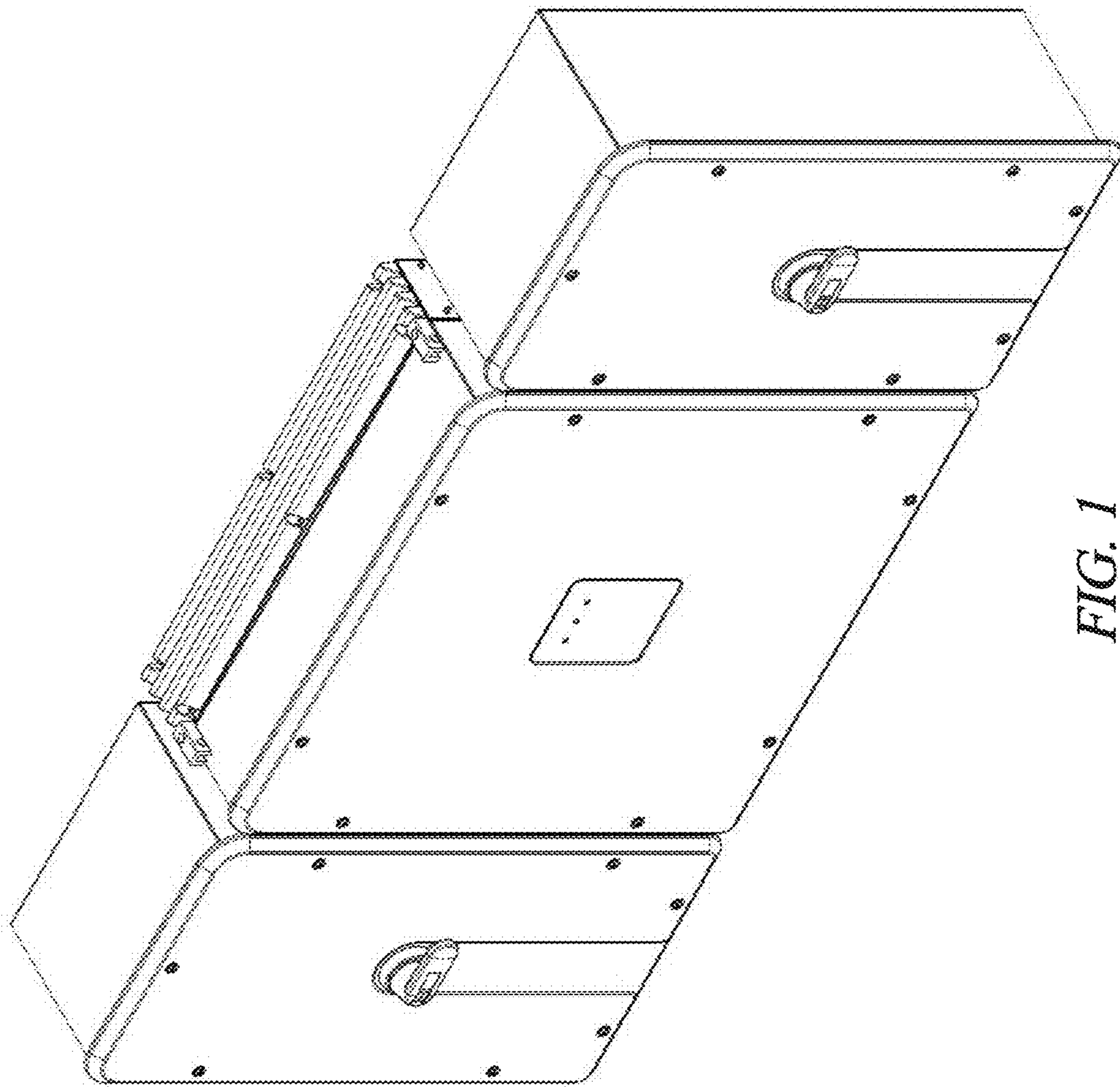


FIG. 1

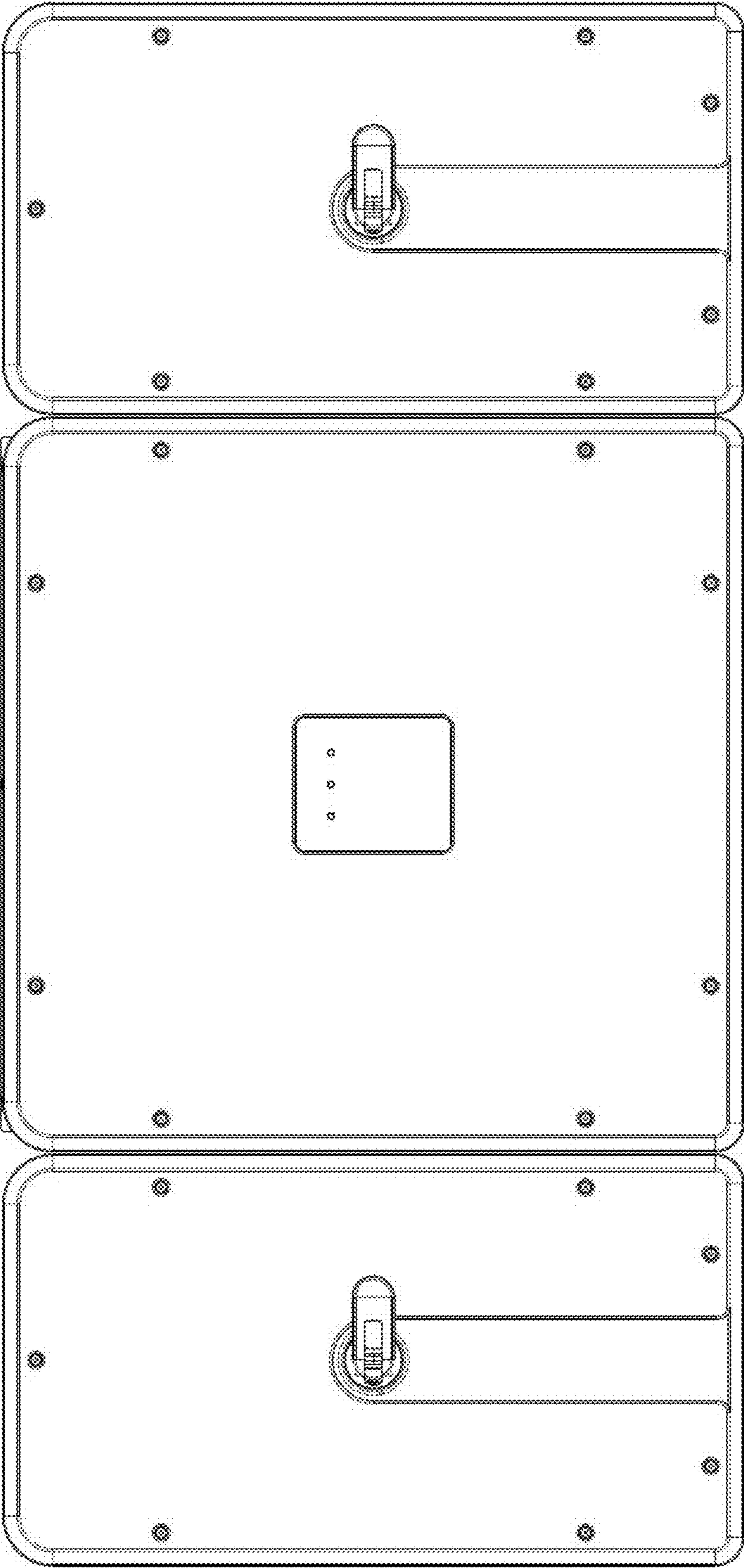


FIG. 2

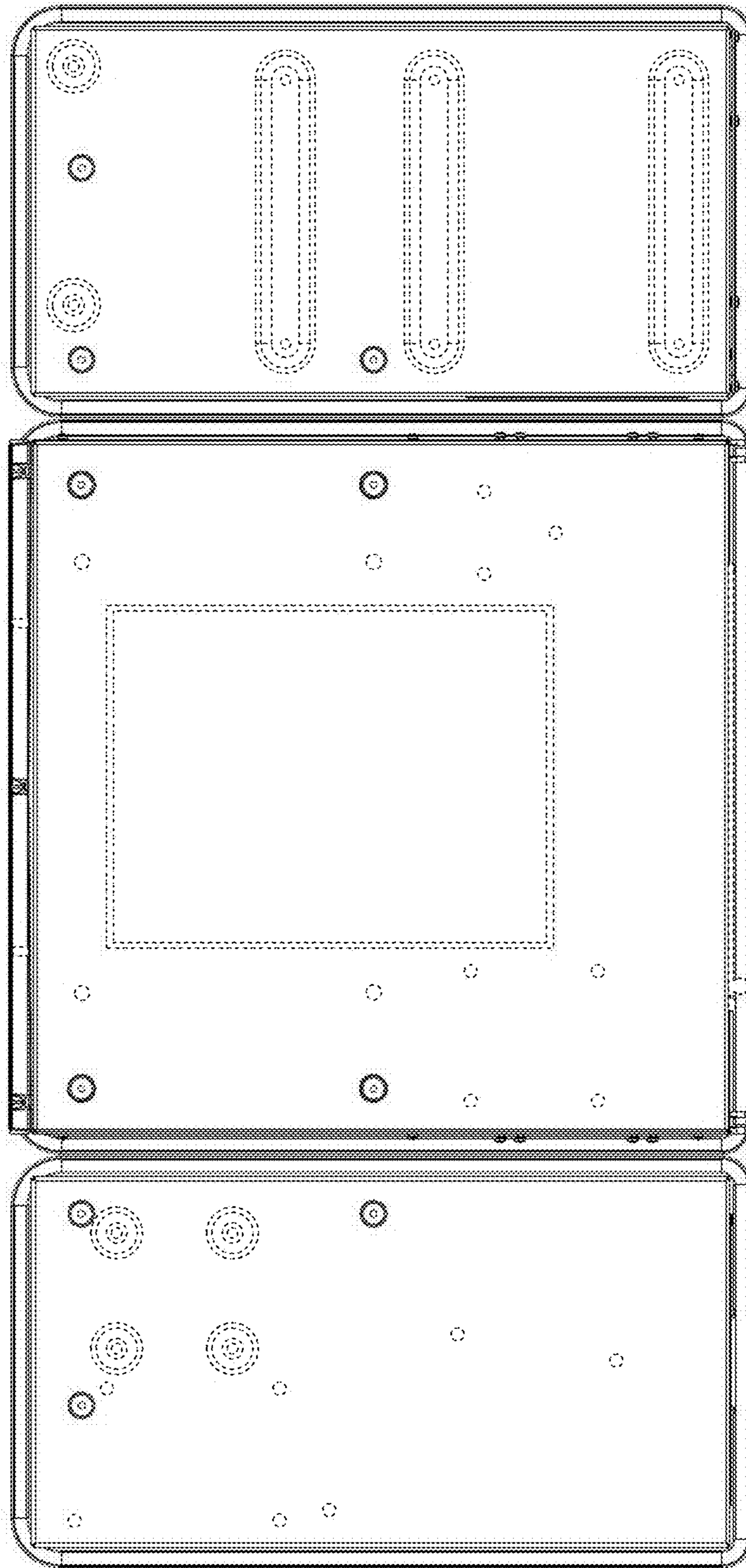
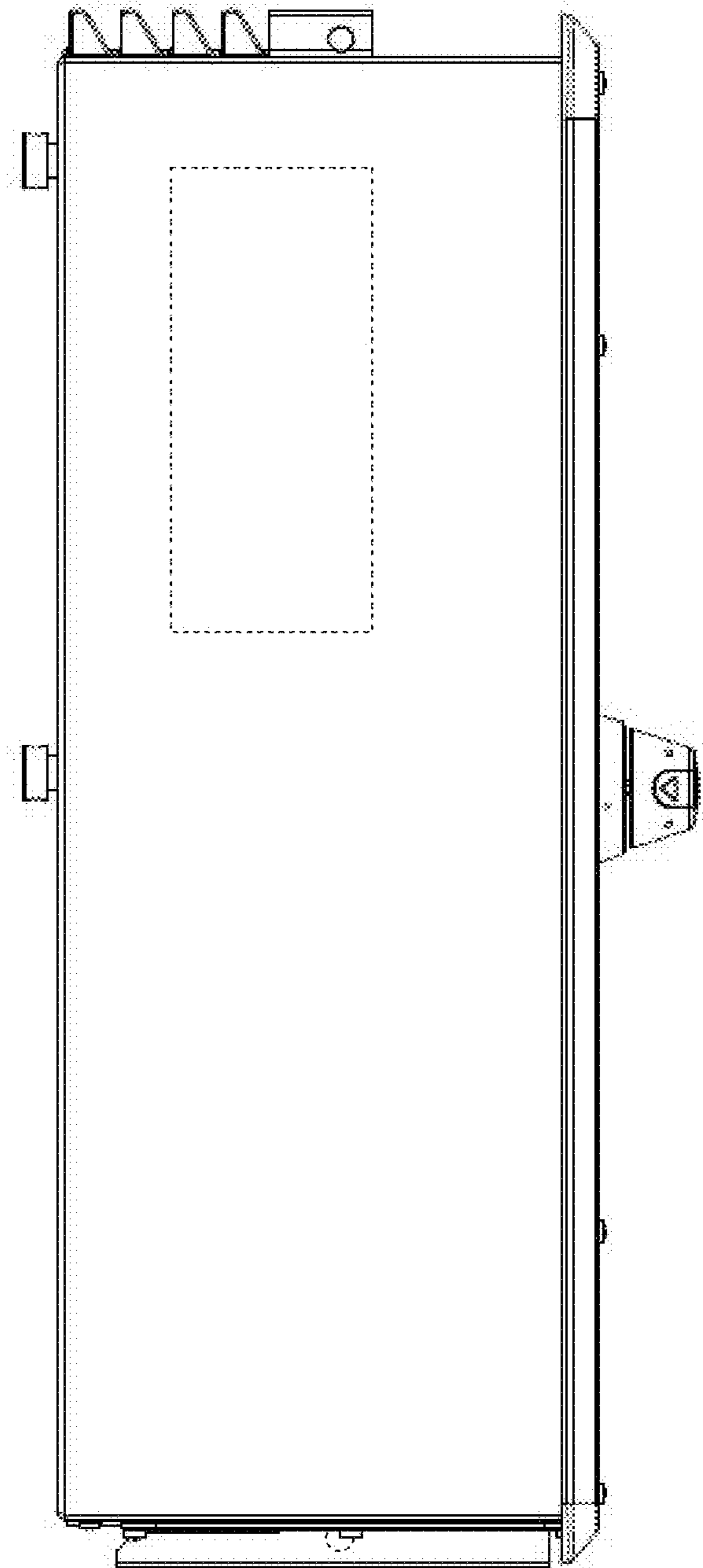
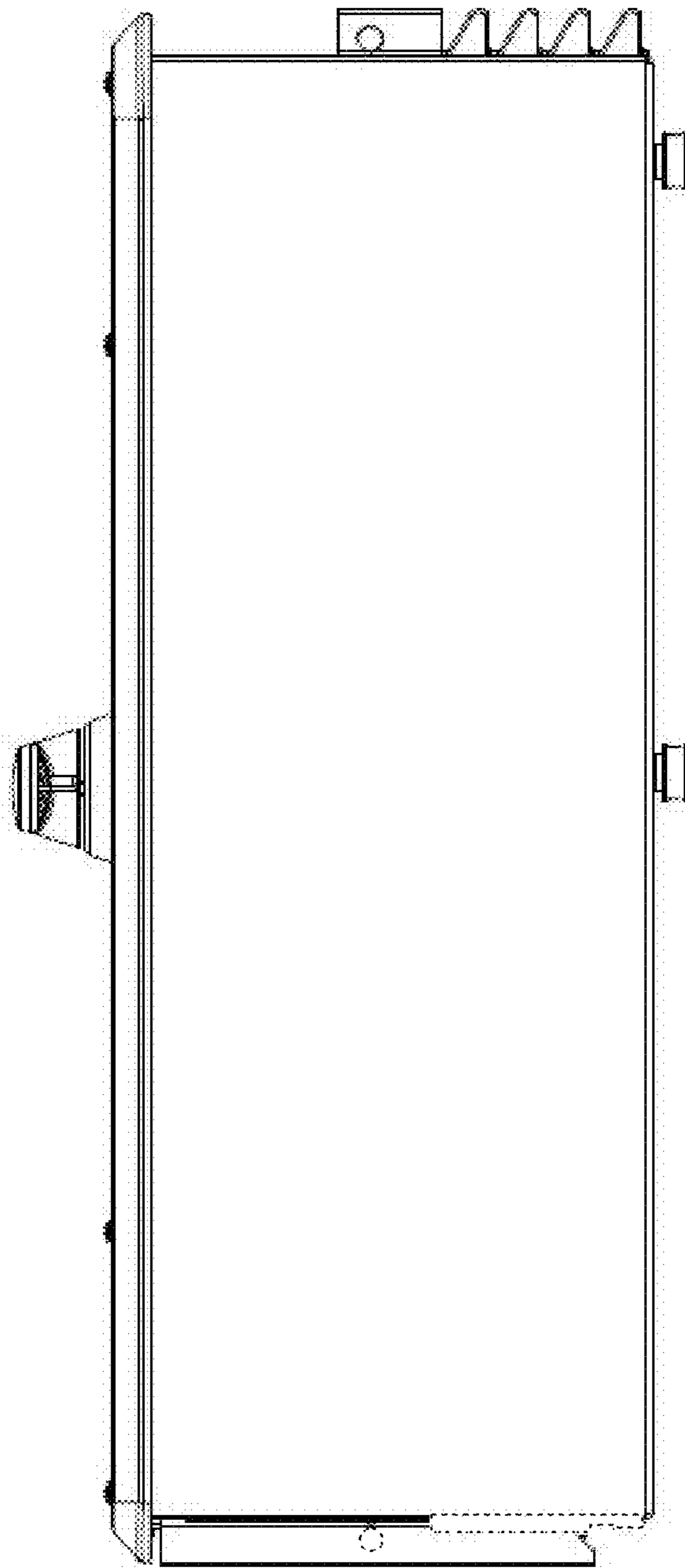


FIG. 3



*FIG. 4*



*FIG. 5*

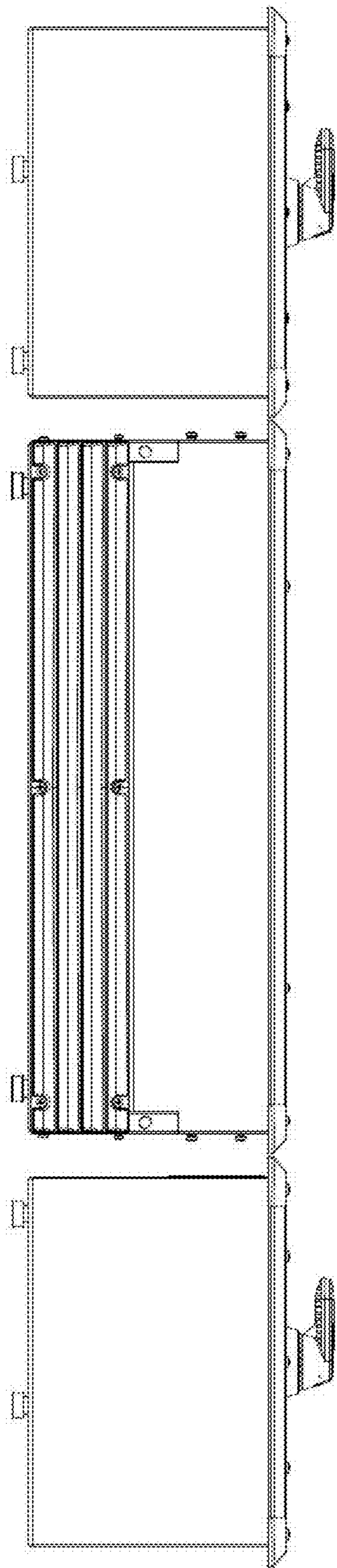


FIG. 6

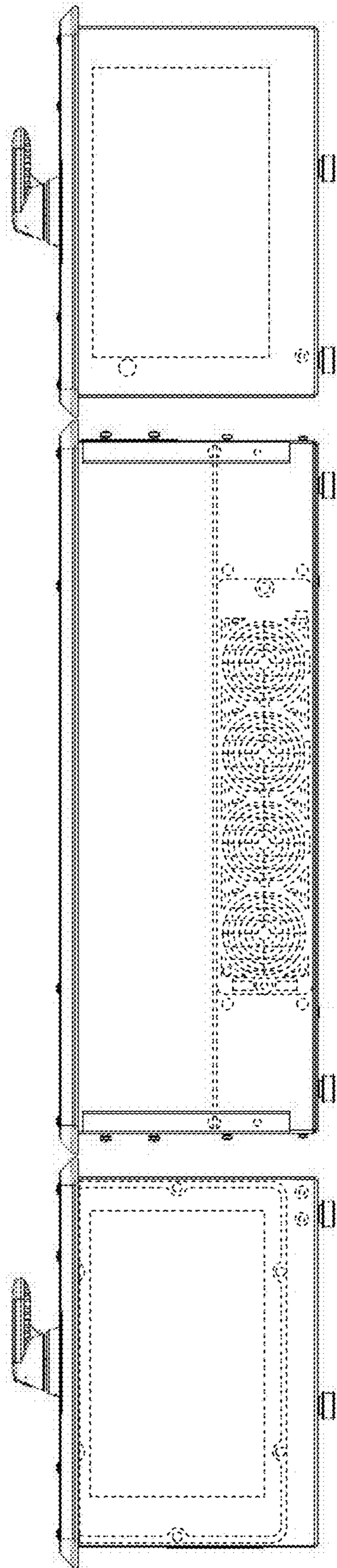


FIG. 7