



US00D773392S

(12) **United States Design Patent** (10) **Patent No.:** **US D773,392 S**
Paschke et al. (45) **Date of Patent:** **** Dec. 6, 2016**

(54) **CHARGER DEVICE**

(71) Applicant: **BLACKBERRY LIMITED**, Waterloo (CA)

(72) Inventors: **Brian Dennis Paschke**, Mississauga (CA); **Brent Marc Baillie**, Mississauga (CA); **Alison Phillips**, Mississauga (CA); **Di Tao**, Mississauga (CA)

(73) Assignee: **BlackBerry Limited**, Waterloo, Ontario (CA)

(**) Term: **15 Years**

(21) Appl. No.: **29/529,459**

(22) Filed: **Jun. 8, 2015**

(51) **LOC (10) Cl.** **13-02**

(52) **U.S. Cl.**
USPC **D13/108**

(58) **Field of Classification Search**
USPC D13/107–110, 118–119, 184; D14/251, D14/253, 432, 434

(Continued)

(56) **References Cited**

U.S. PATENT DOCUMENTS

D623,136 S * 9/2010 Andre D13/108
D638,357 S * 5/2011 Sasada D13/110
(Continued)

OTHER PUBLICATIONS

Euro Plug—Tin Eye Results. Published Sep. 8, 2014. [Online] [Accessed Jul. 26, 2016] <url:http://www.tineye.com/search/a3806430ccf133ac517ec4e3388374375620dc98/?pluginver=chrome-1.1.4>.*

Primary Examiner — Rosemary K Tarca
Assistant Examiner — Nathaniel D Buckner

(74) *Attorney, Agent, or Firm* — Jon Gibbons; Fleit Gibbons Gutman Bongini & Bianco P.L.

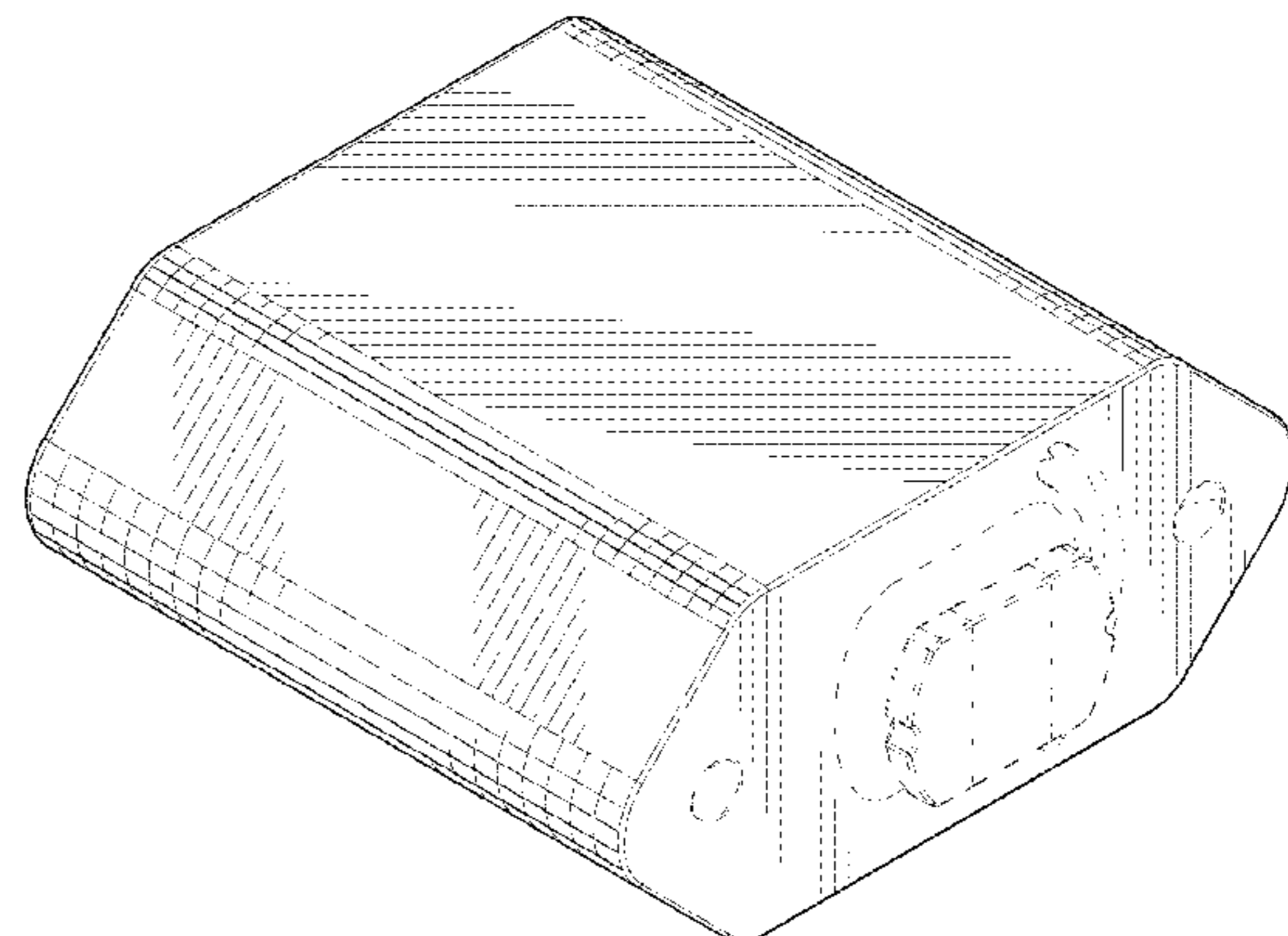
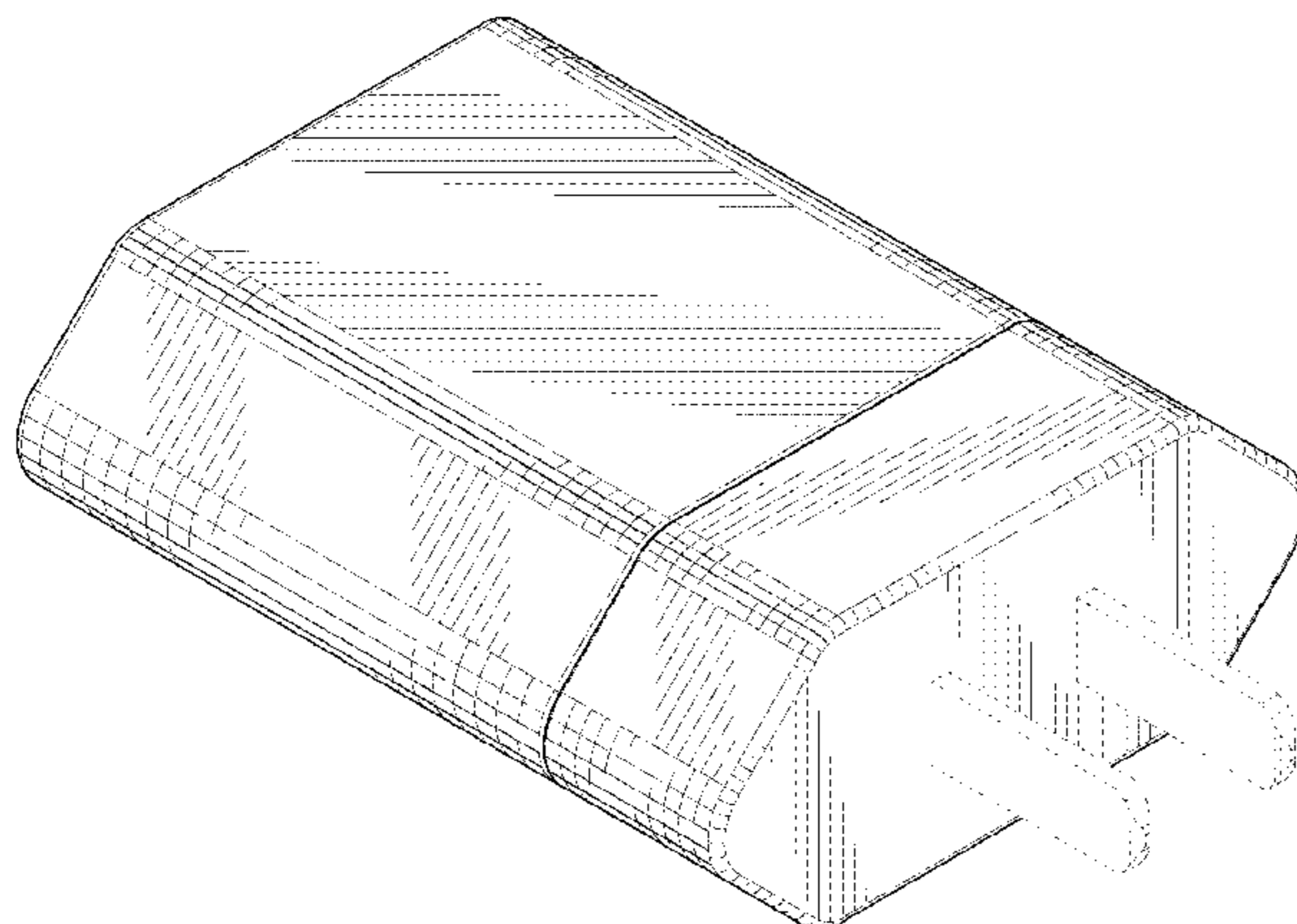
(57) **CLAIM**

The ornamental design for a charger device, as shown and described.

DESCRIPTION

FIG. 1 is a perspective view showing a charger device; FIG. 2 is another perspective view of FIG. 1; FIG. 3 is a first elevation view of FIG. 1; FIG. 4 is a second elevation view of FIG. 1; FIG. 5 is a third elevation view of FIG. 1; FIG. 6 is a fourth elevation view of FIG. 1; FIG. 7 is a plan view of FIG. 1; FIG. 8 is another plan view of FIG. 1; FIG. 9 is a perspective view showing a first component of a charger device, shown separately from the remainder of the charger device for ease of illustration; FIG. 10 is another perspective view of FIG. 9; FIG. 11 is a first elevation view of FIG. 9; FIG. 12 is a second elevation view of FIG. 9; FIG. 13 is a third elevation view of FIG. 9; FIG. 14 is a fourth elevation view of FIG. 9; FIG. 15 is a plan view of FIG. 9; FIG. 16 is a another plan view of FIG. 9; FIG. 17 is a perspective view showing a second component of a charger device, shown separately from the remainder of the charger device for ease of illustration; FIG. 18 is another perspective view FIG. 17; FIG. 19 is a first elevation view of FIG. 17; FIG. 20 is a second elevation view of FIG. 17; FIG. 21 is a third elevation view of FIG. 17; FIG. 22 is fourth elevation view of FIG. 17; FIG. 23 is a plan view of FIG. 17; and, FIG. 24 is another plan view of FIG. 17. The broken lines shown in the design in FIGS. 1-24 are included for the purpose of illustrating portions of the charger device that form no part of the claimed design.

1 Claim, 18 Drawing Sheets



(58) **Field of Classification Search**

CPC Y02E 60/12; Y02T 90/14; Y02T 90/122;
Y02T 90/128; Y02T 90/163; H02J 7/025;
H02J 7/0042; H02J 7/0044; H02J 7/0045;
H02J 7/0003; H01R 13/6675; H01M
2/1022; H01M 1/1055; H01M
10/44; H01M 10/46; H01M
10/425; B60L 11/182

See application file for complete search history.

(56) **References Cited**

U.S. PATENT DOCUMENTS

D660,796	S	*	5/2012	Wen	D13/110
D663,267	S	*	7/2012	Kim	D13/110
D665,734	S	*	8/2012	Fitch	D13/107
D677,623	S	*	3/2013	Fitch	D13/108
D678,191	S	*	3/2013	Fitch	D13/108
D680,492	S	*	4/2013	Smith	D13/110
D686,988	S	*	7/2013	Fawkes	D13/110
D722,018	S	*	2/2015	Wang	D13/103
D730,823	S	*	6/2015	Leung	D13/108
D732,472	S	*	6/2015	Laffon	D13/110
D734,259	S	*	7/2015	Cepress	D13/110
D734,384	S	*	7/2015	Han	D14/253
D735,130	S	*	7/2015	Huang	D13/108
D735,132	S	*	7/2015	Donohue, II	D13/108
D740,749	S	*	10/2015	Stewart	D13/108
D740,751	S	*	10/2015	Akana	D13/110
D741,257	S	*	10/2015	Sumida	D13/108
D742,309	S	*	11/2015	Sumida	D13/108
D746,771	S	*	1/2016	Perez	D13/108
D747,265	S	*	1/2016	Marini	D13/107

* cited by examiner

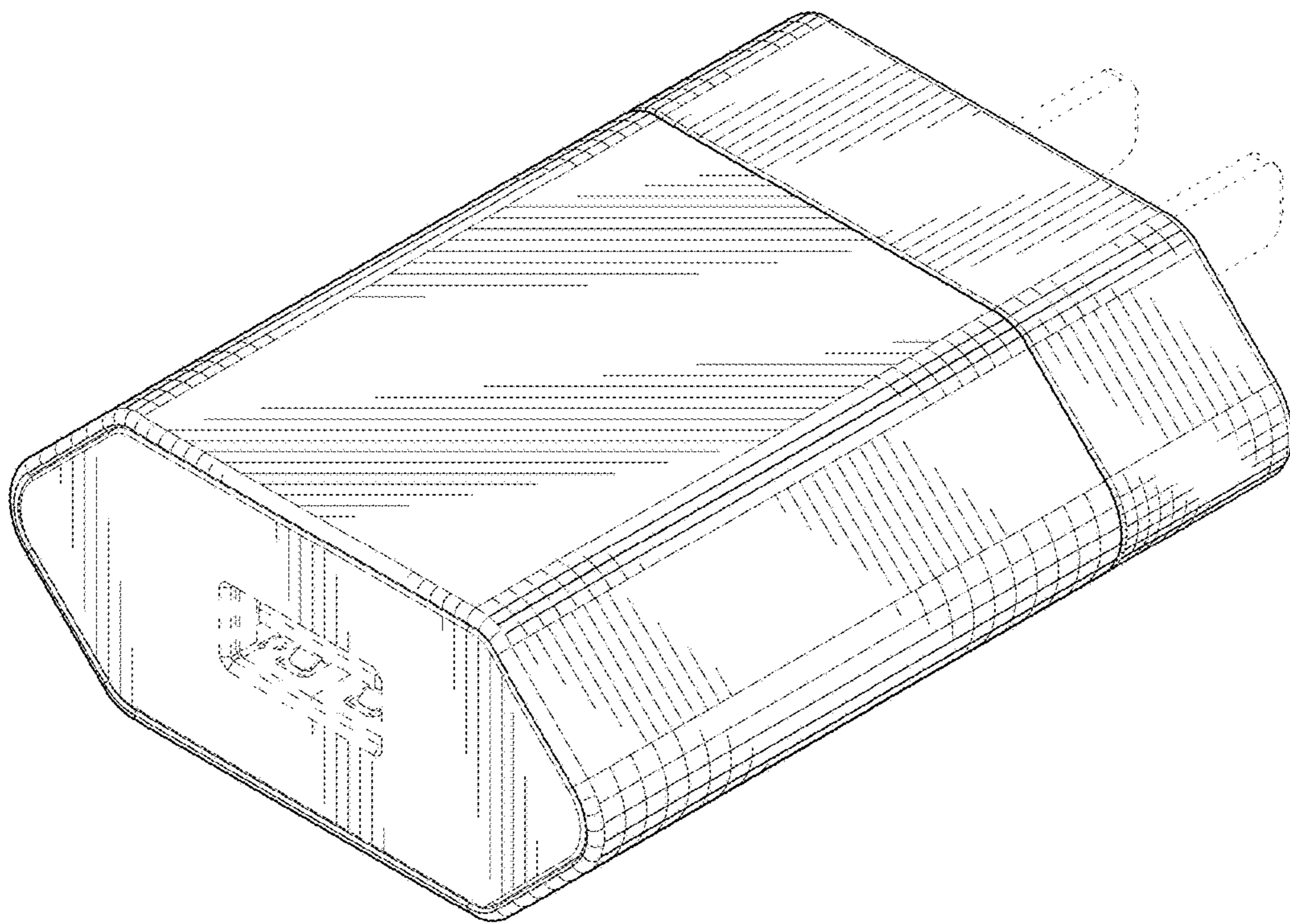


FIG. 1

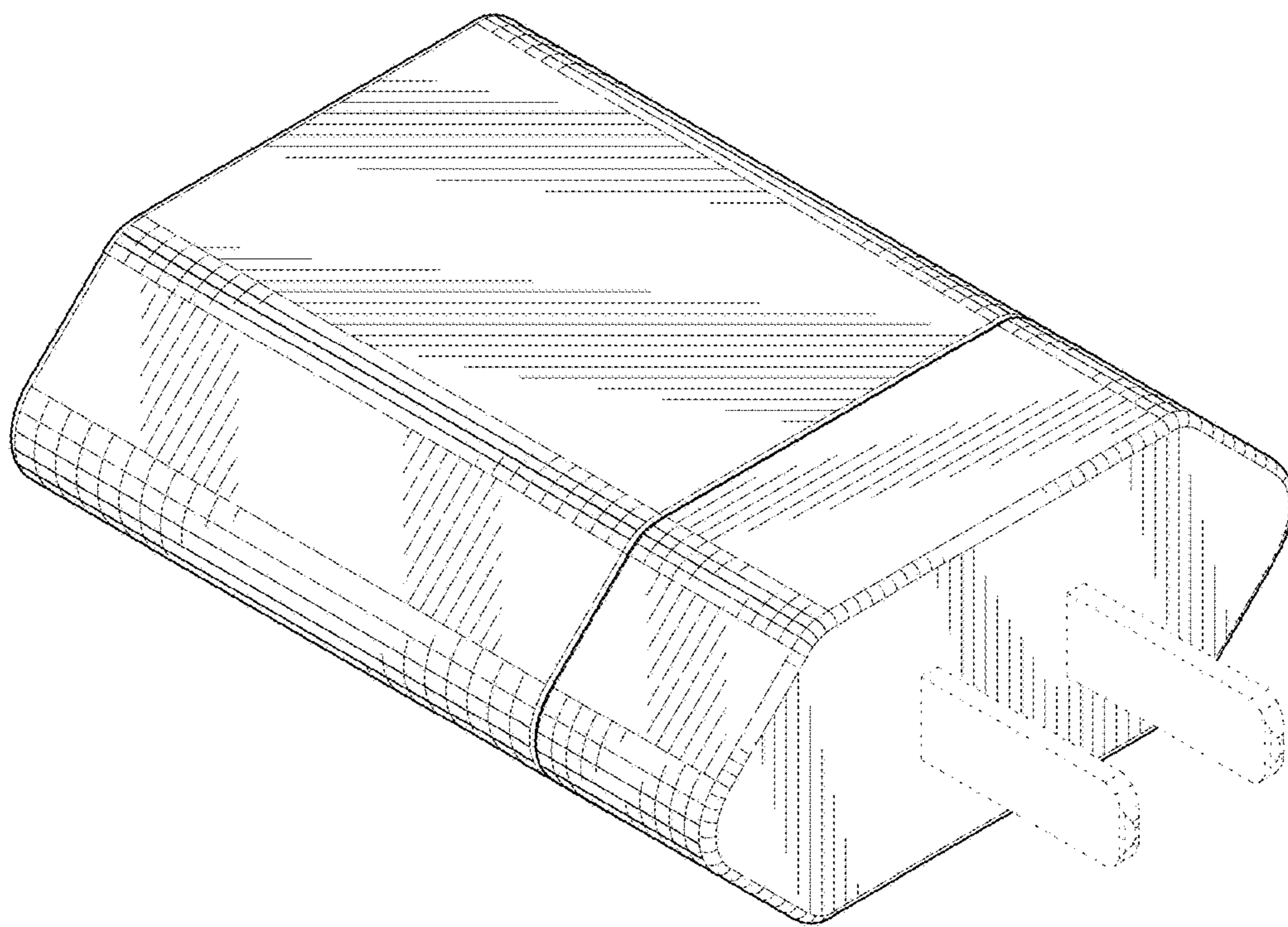


FIG.2

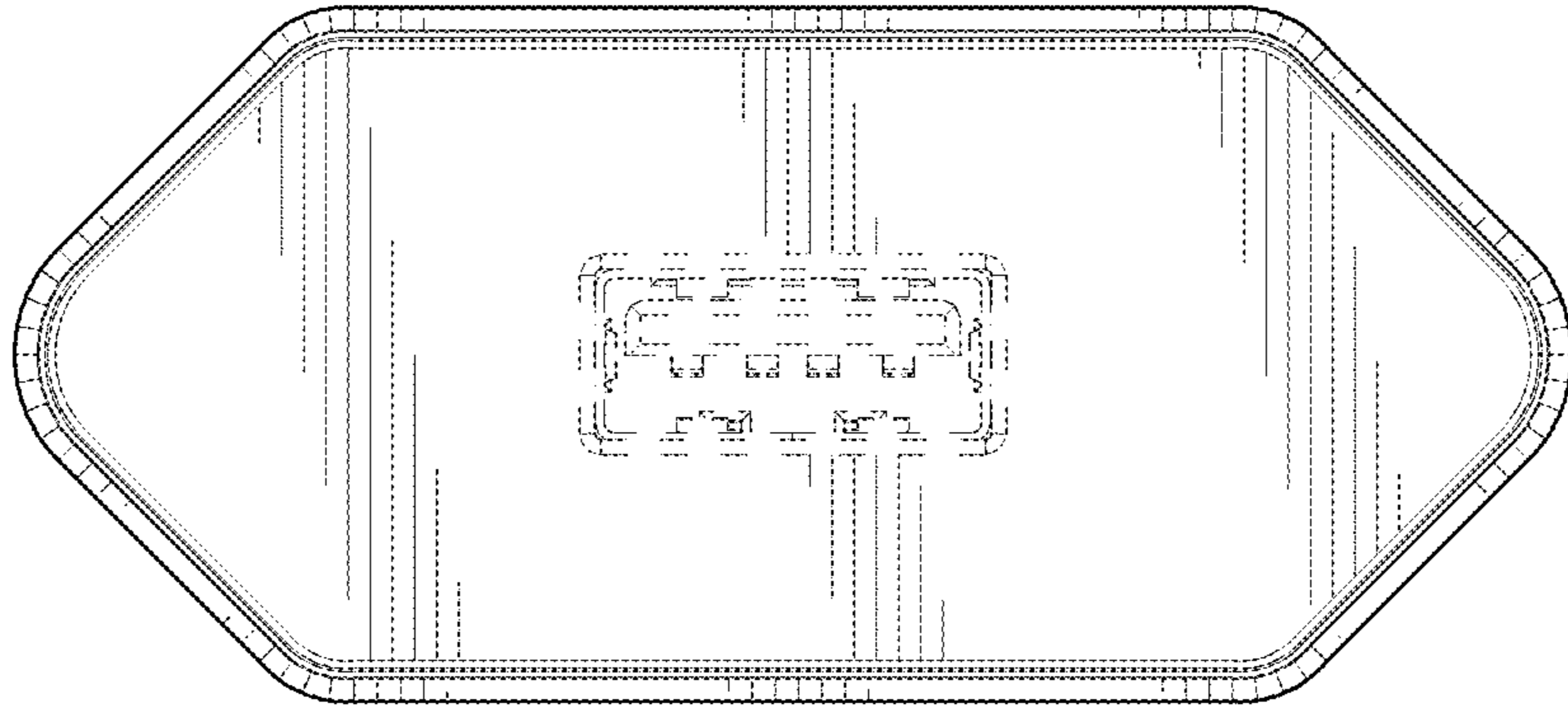


FIG.3

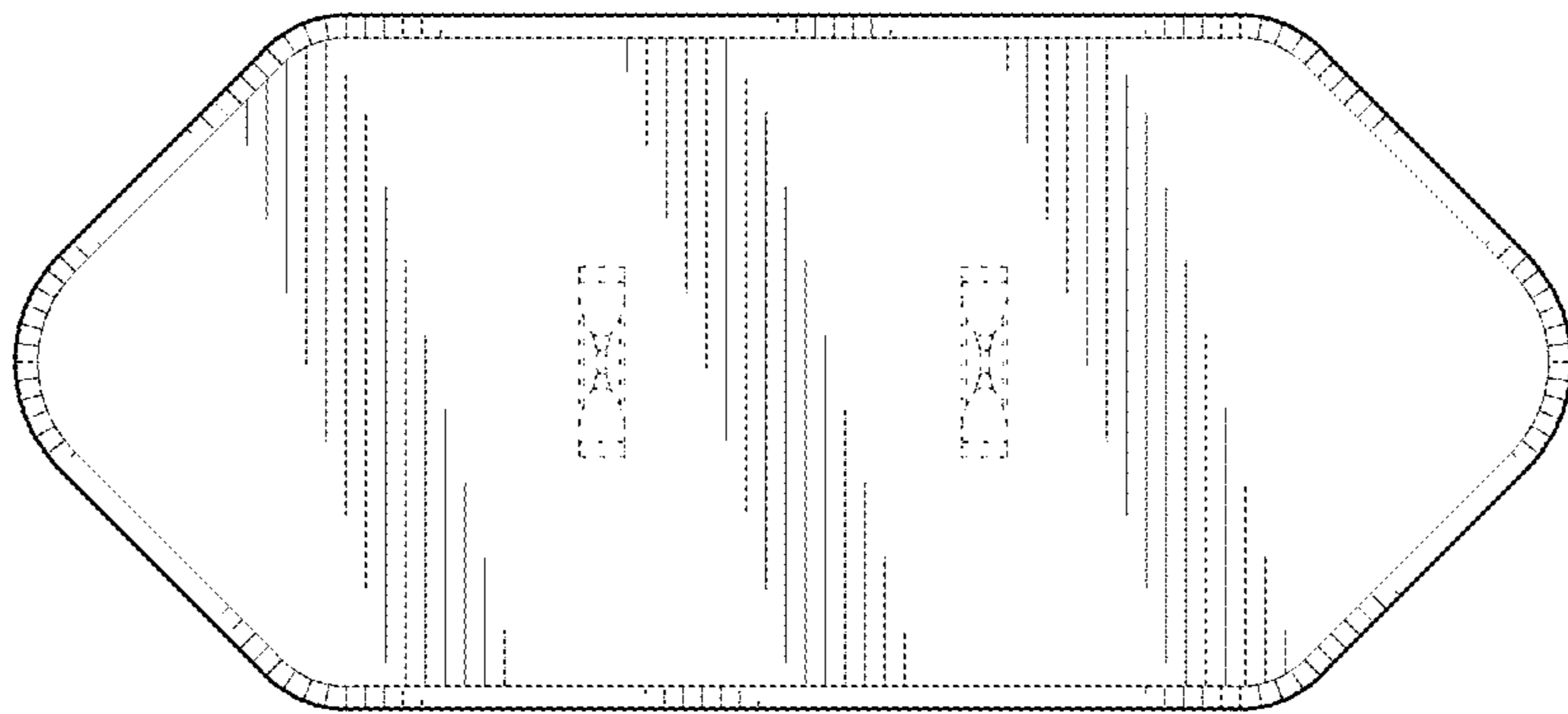


FIG.4

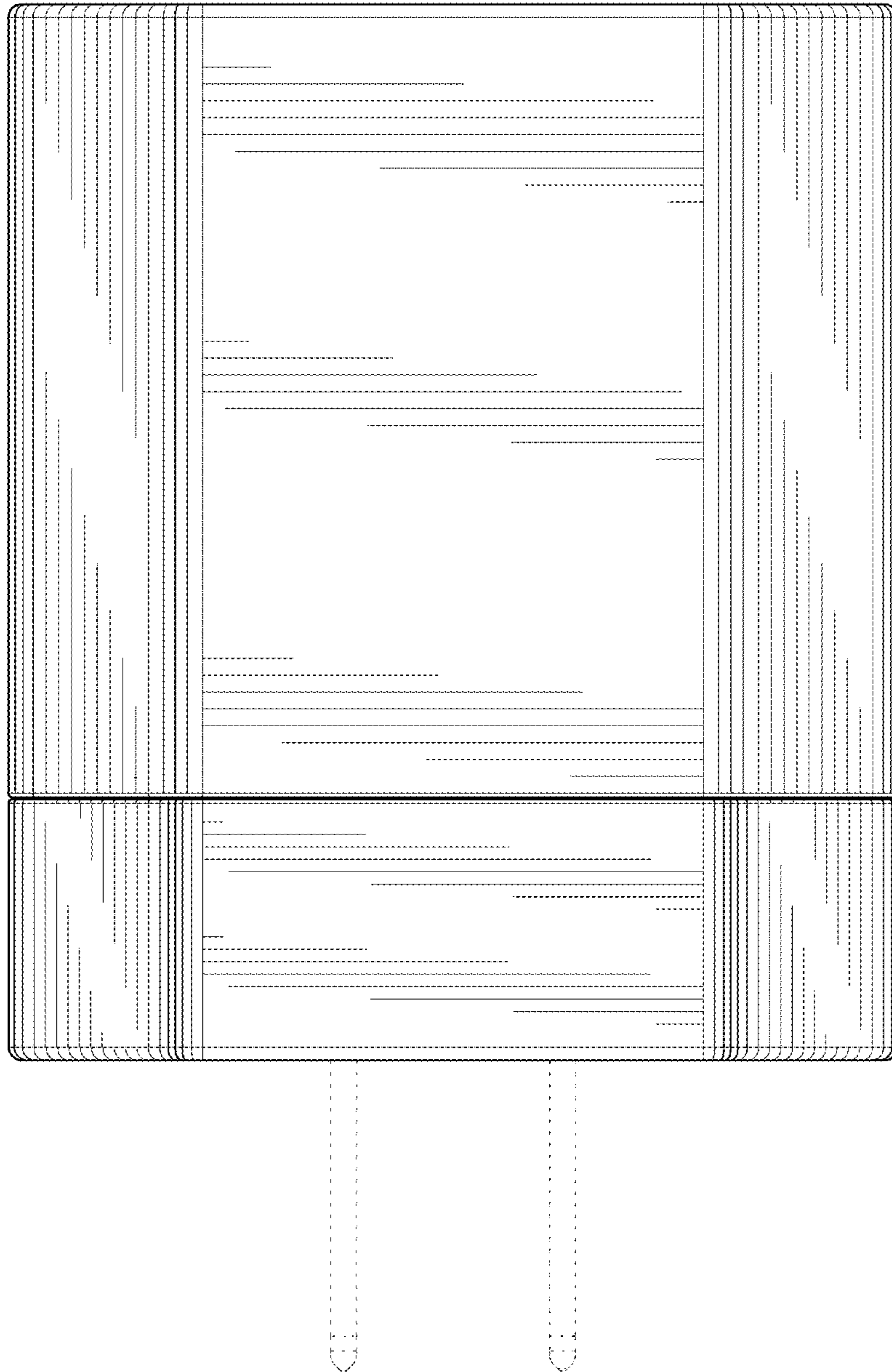


FIG.5

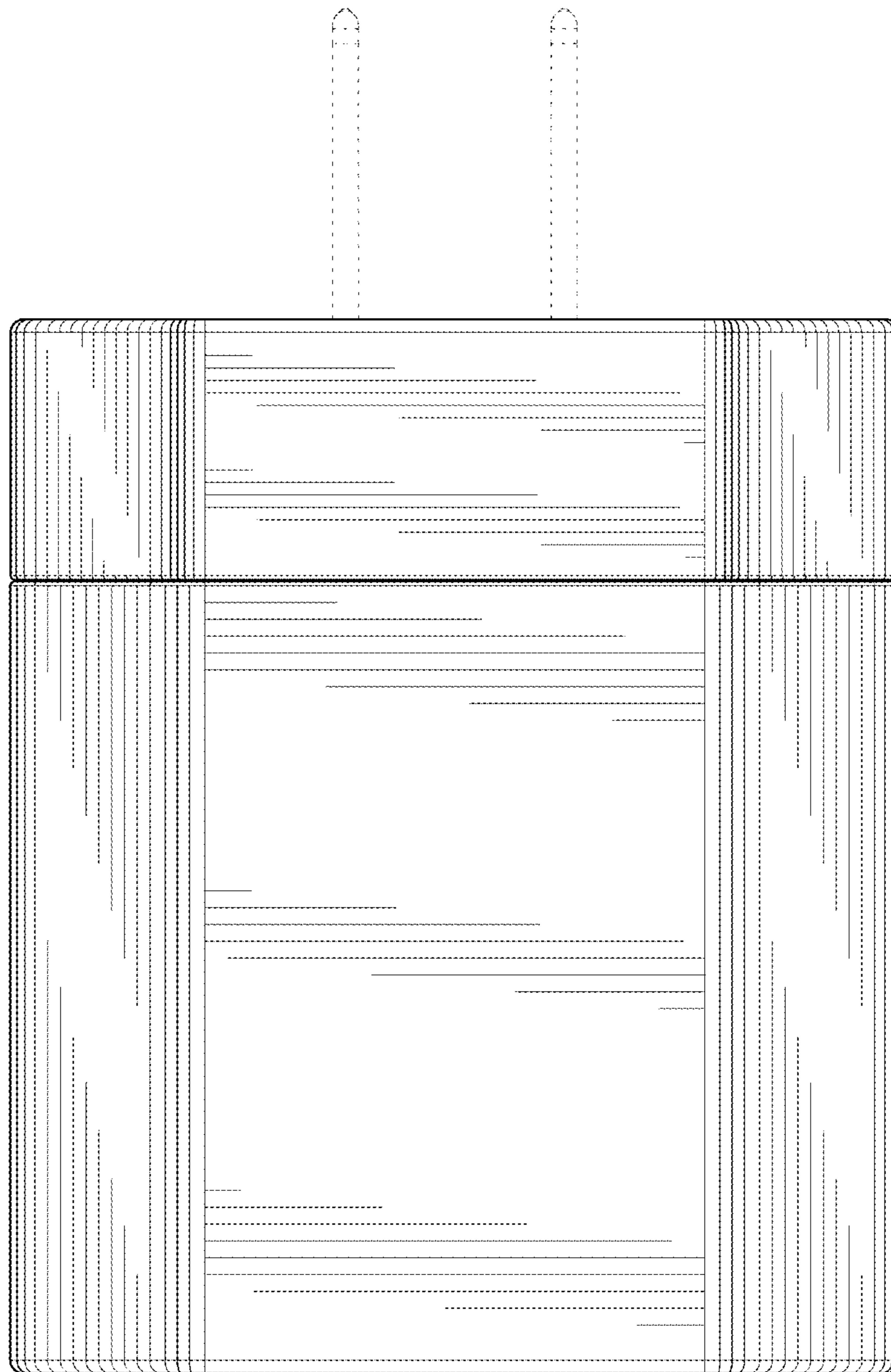


FIG.6

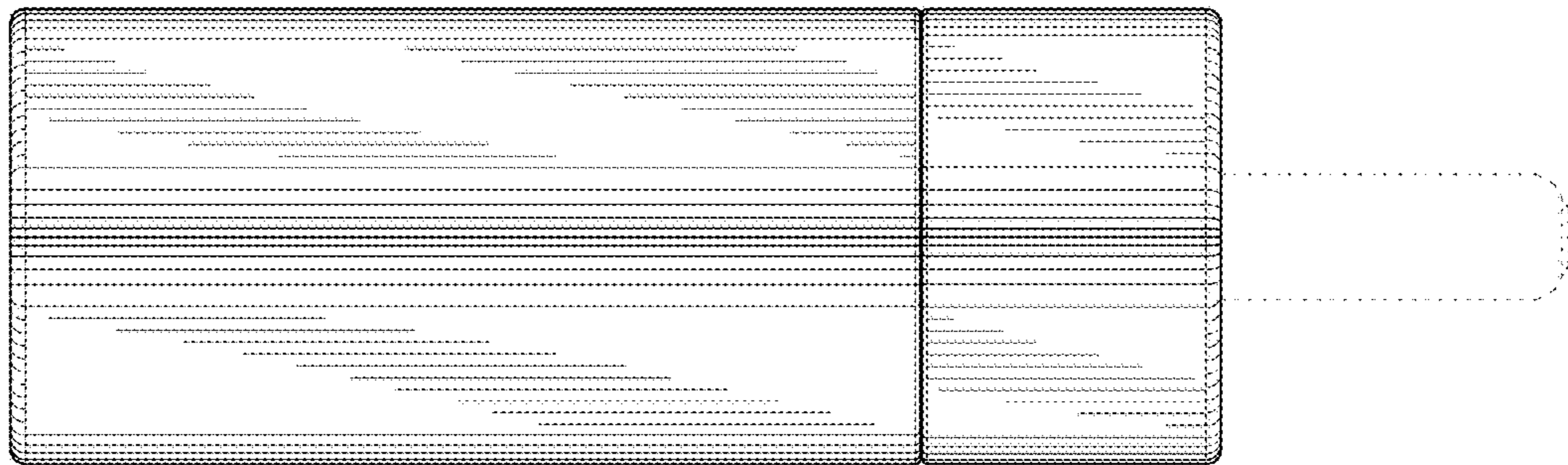


FIG. 7

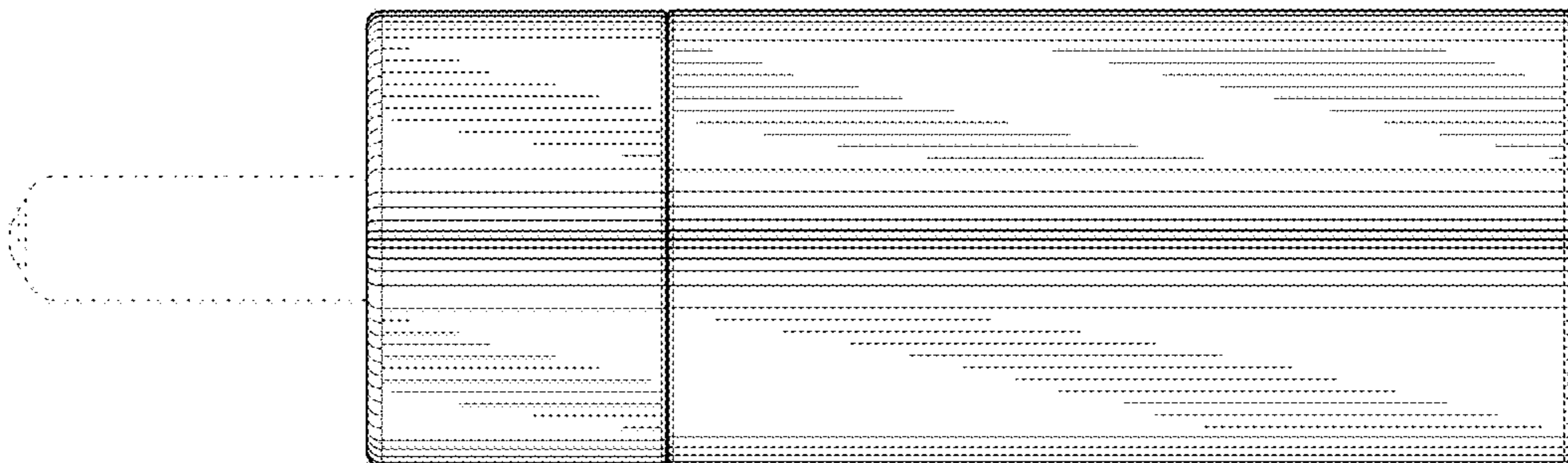


FIG. 8

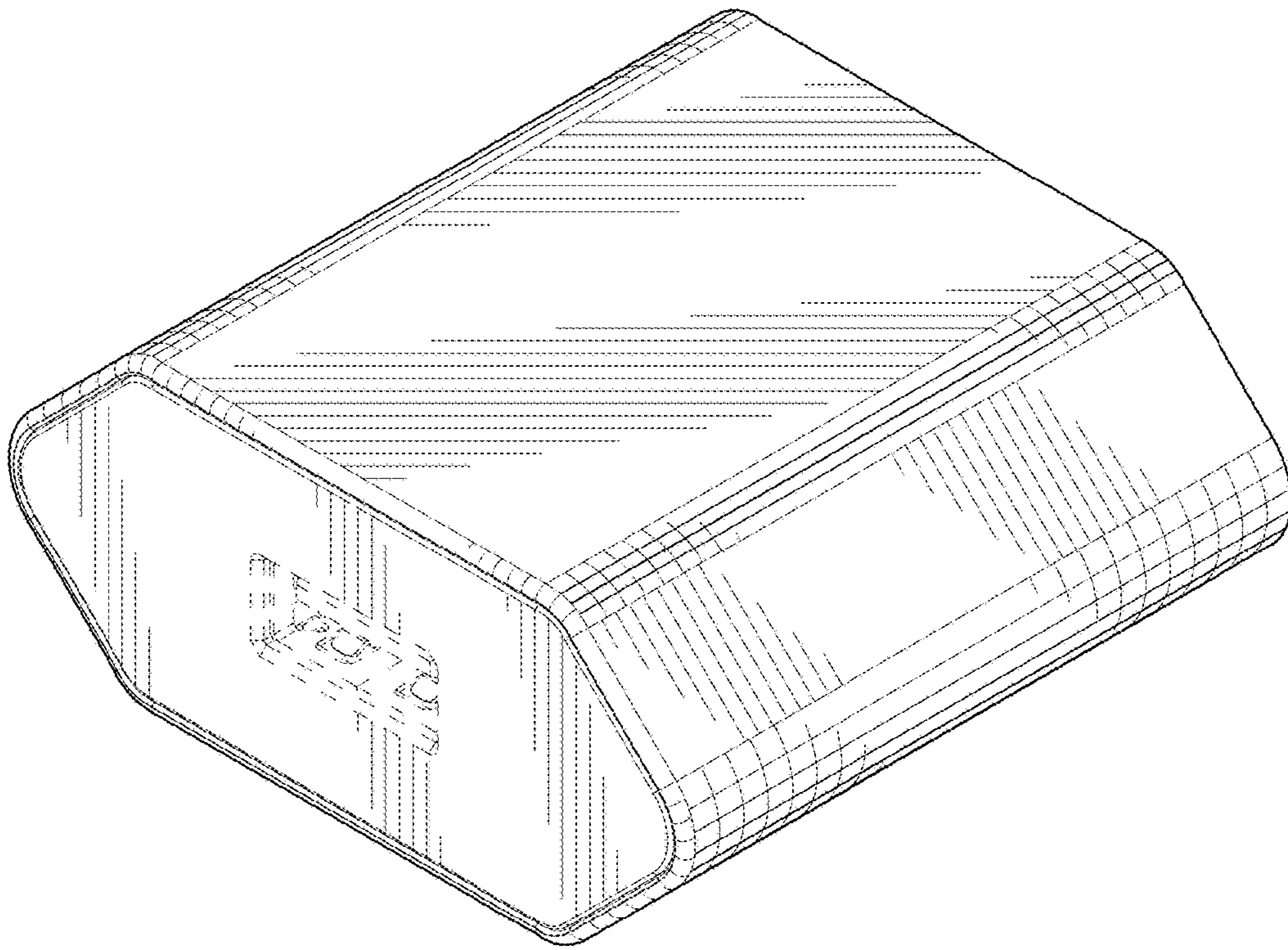


FIG.9

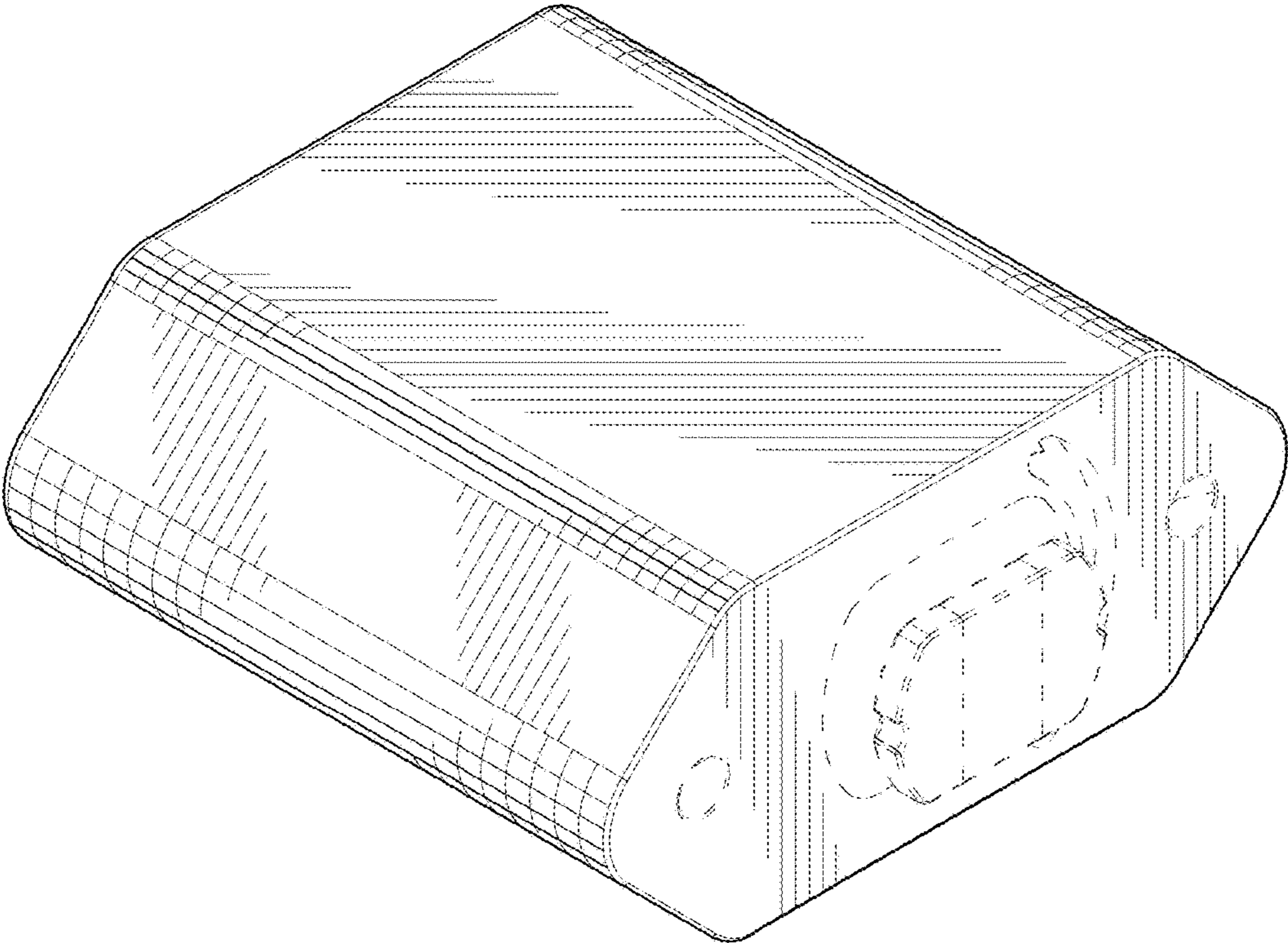


FIG.10

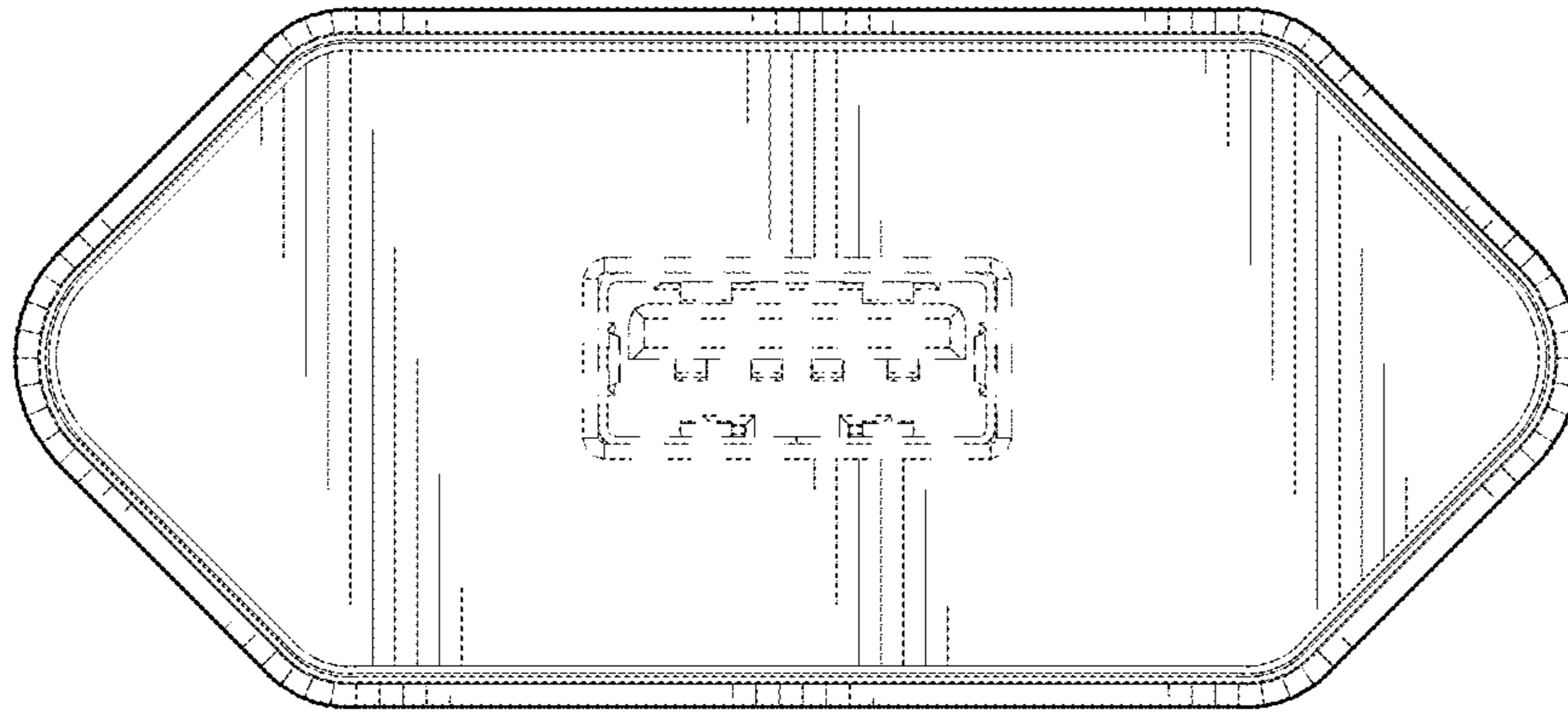


FIG. 11

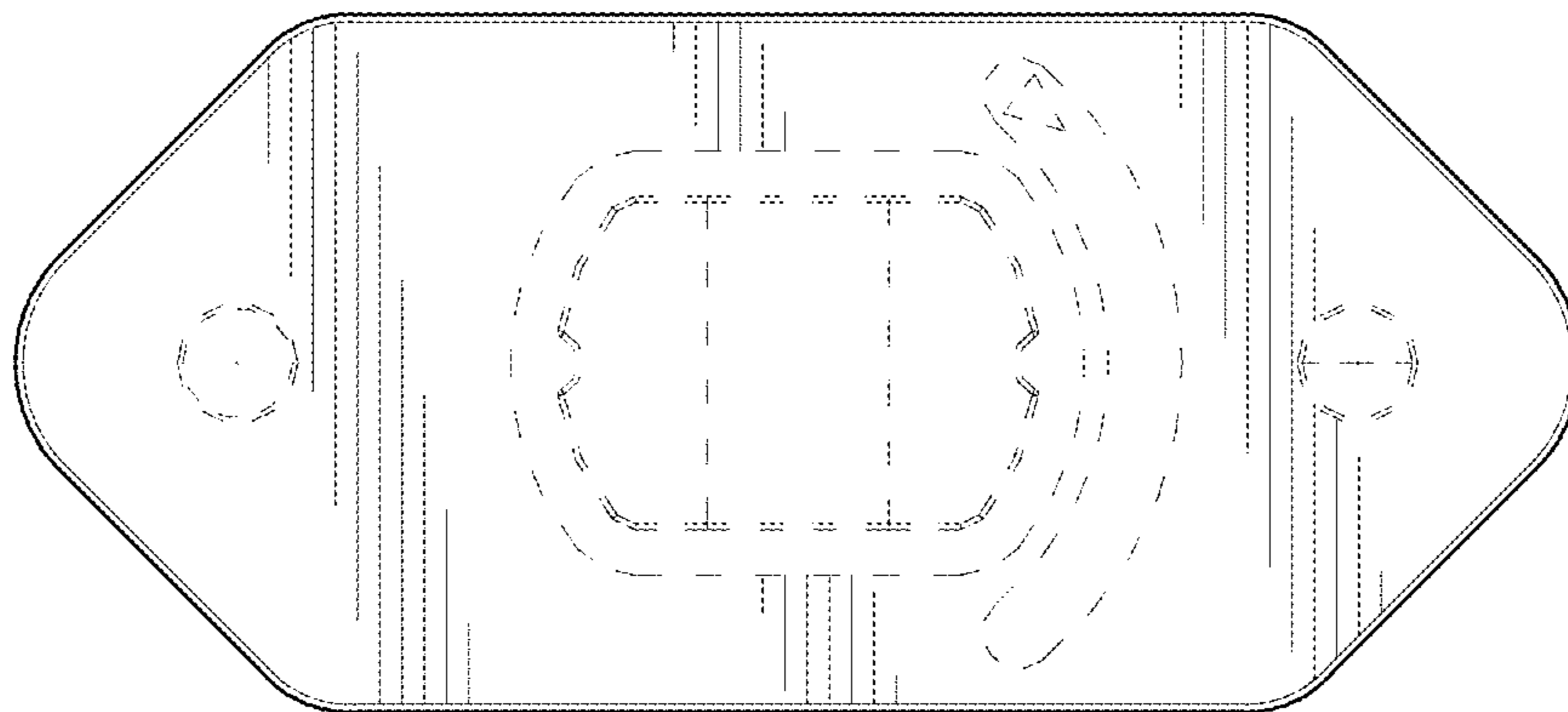


FIG. 12

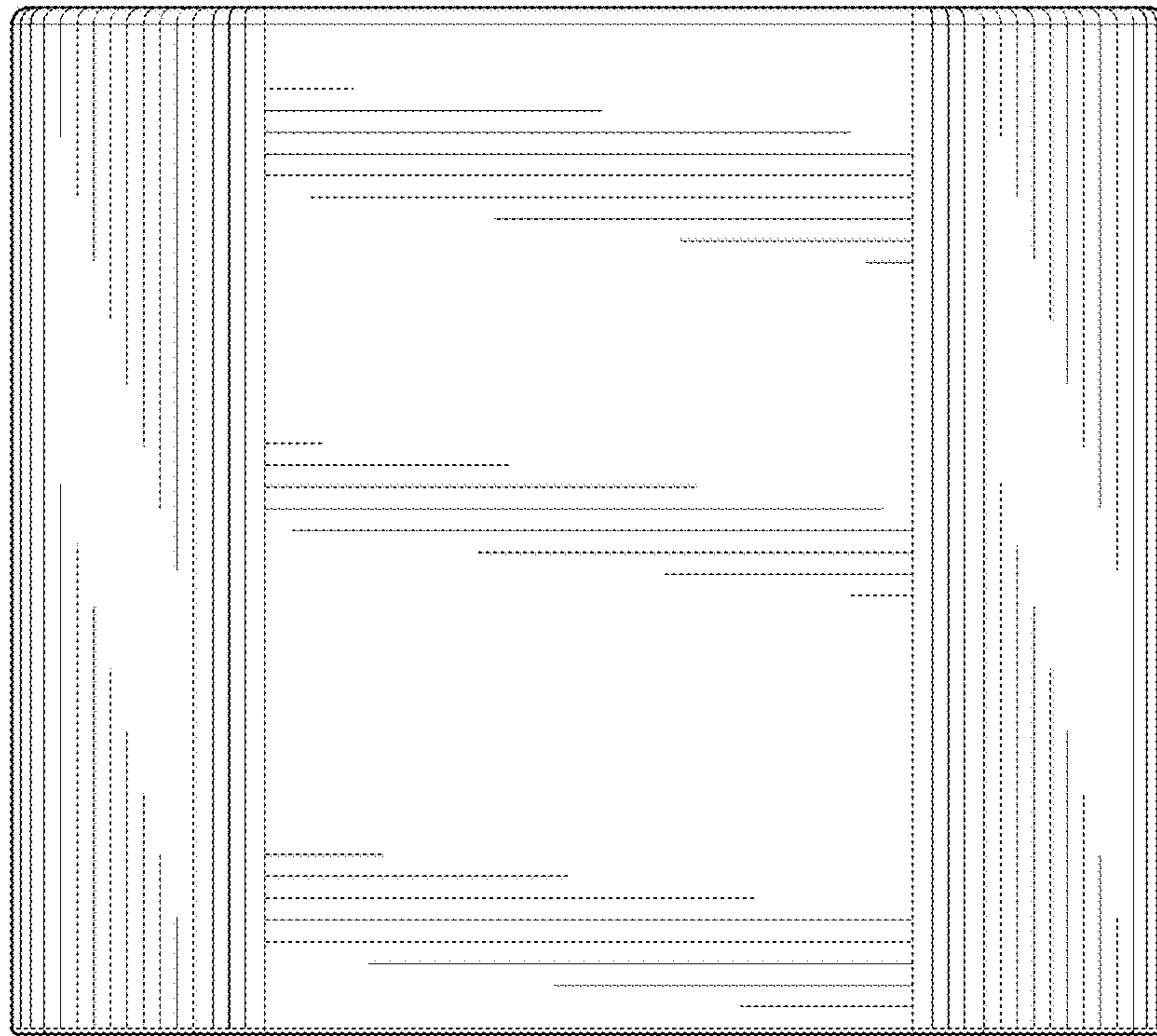


FIG. 13

FIG. 13

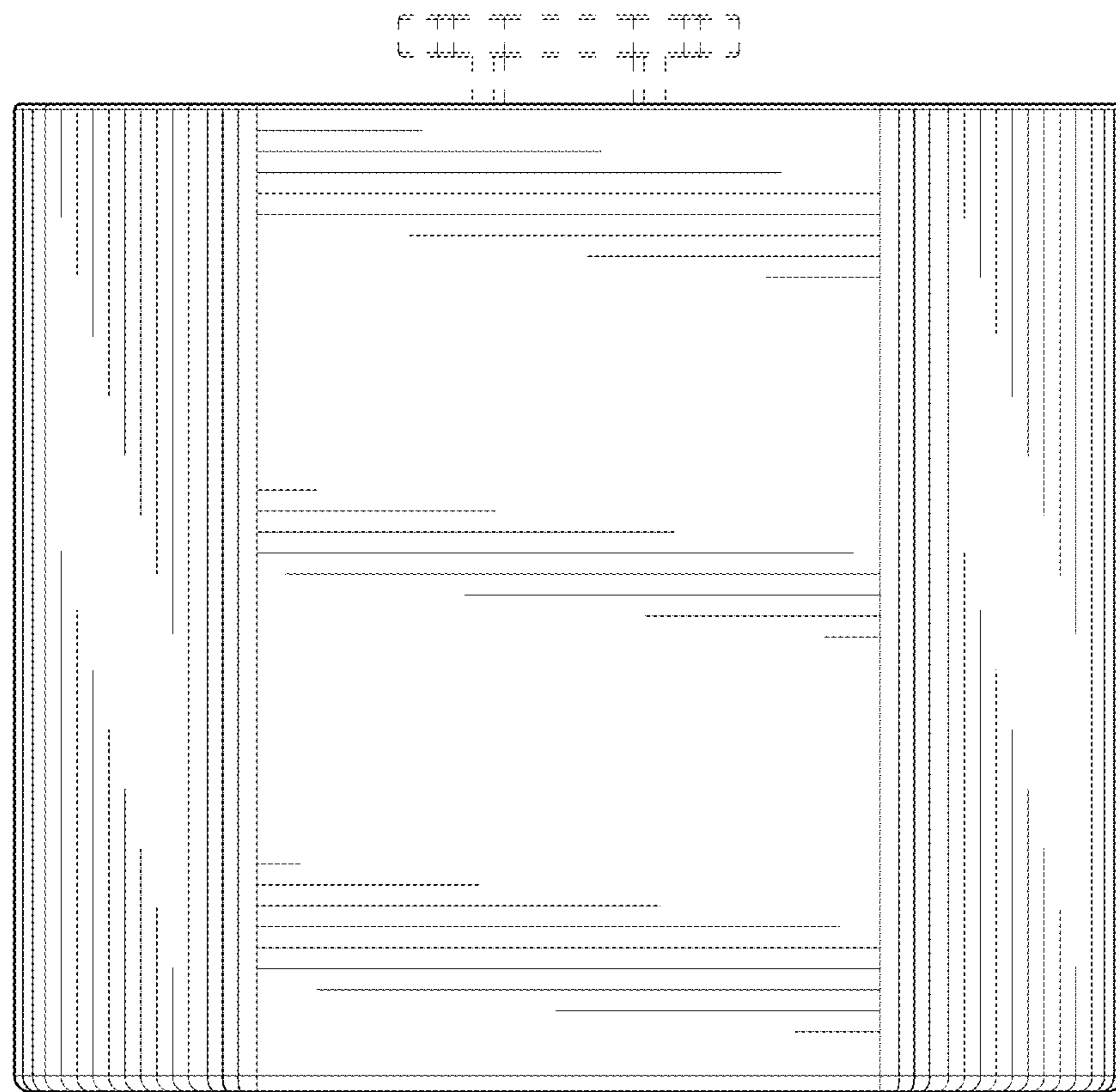


FIG. 14

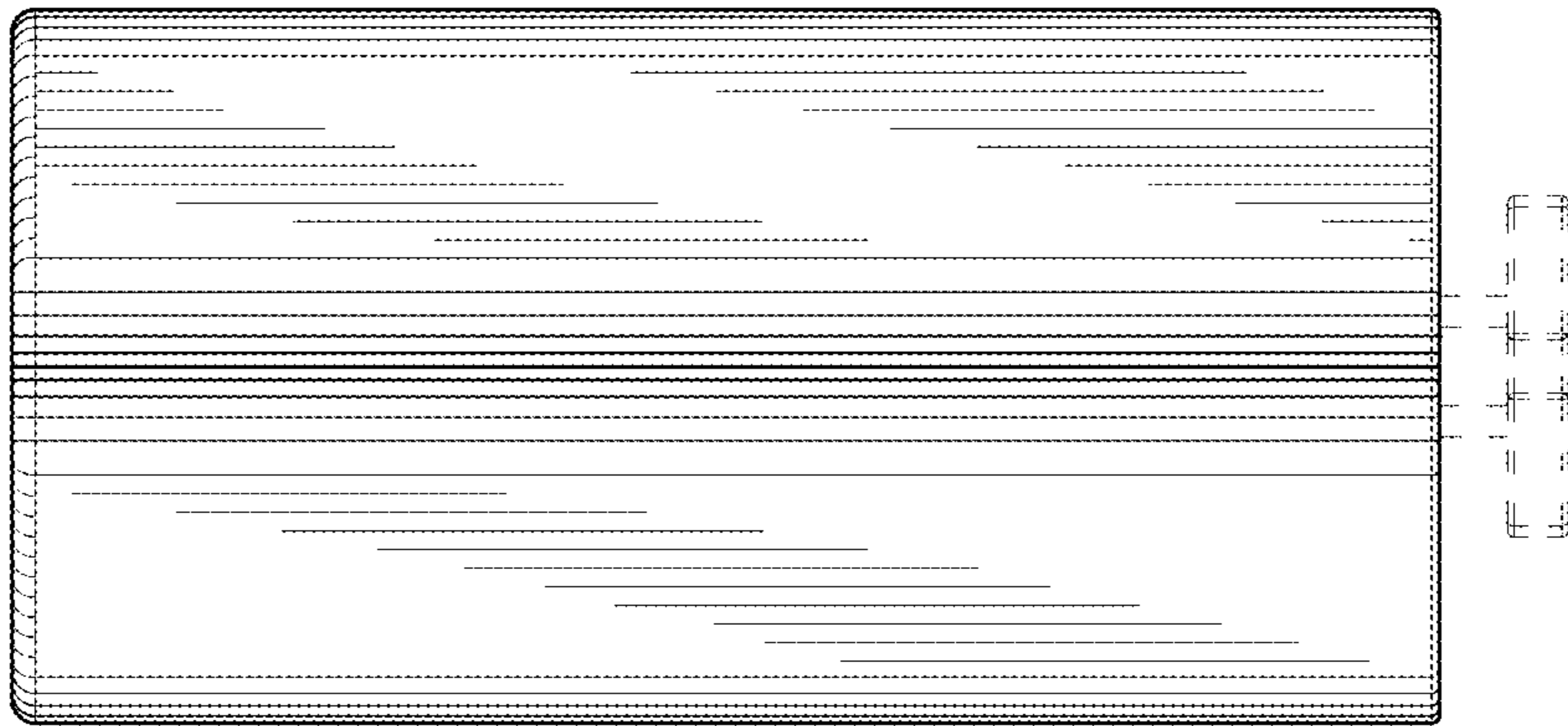


FIG. 15

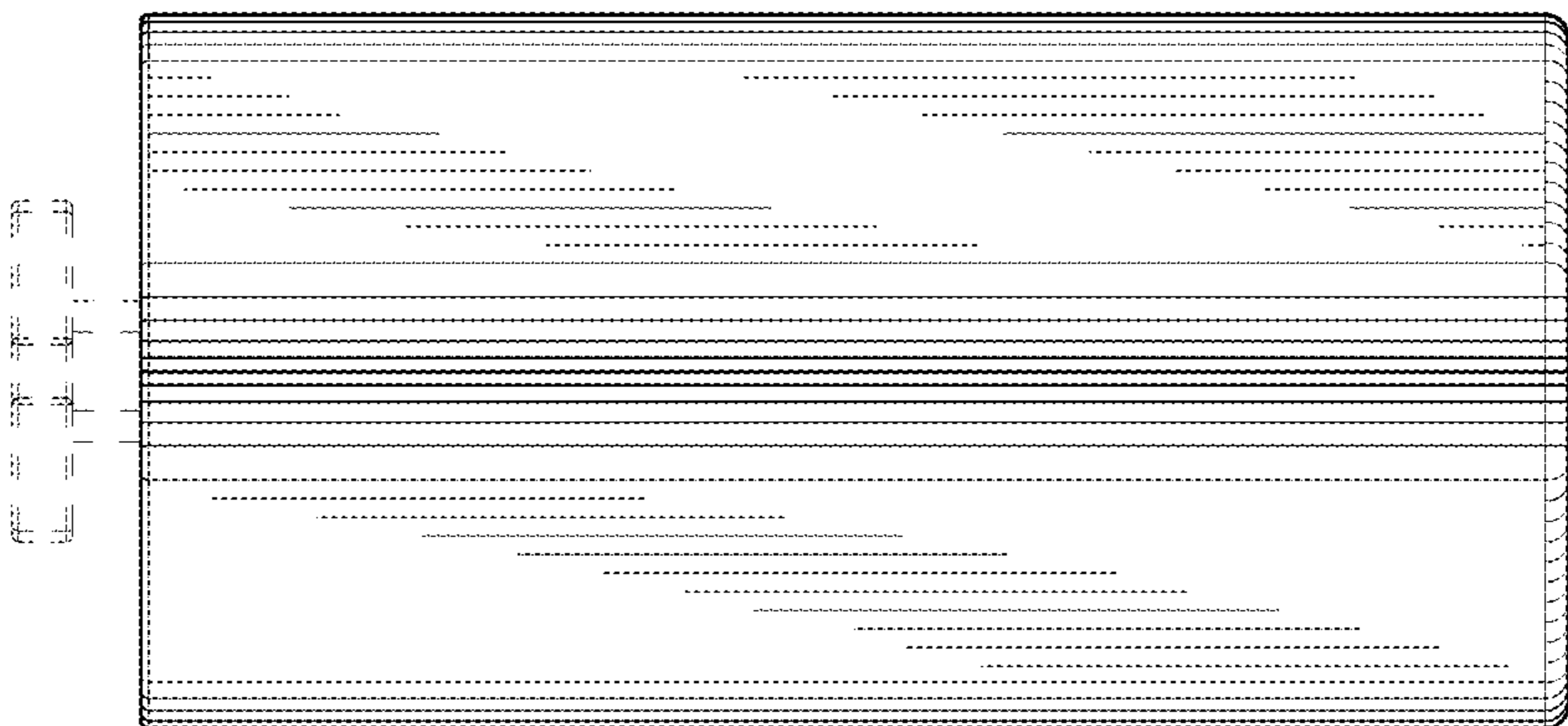


FIG. 16

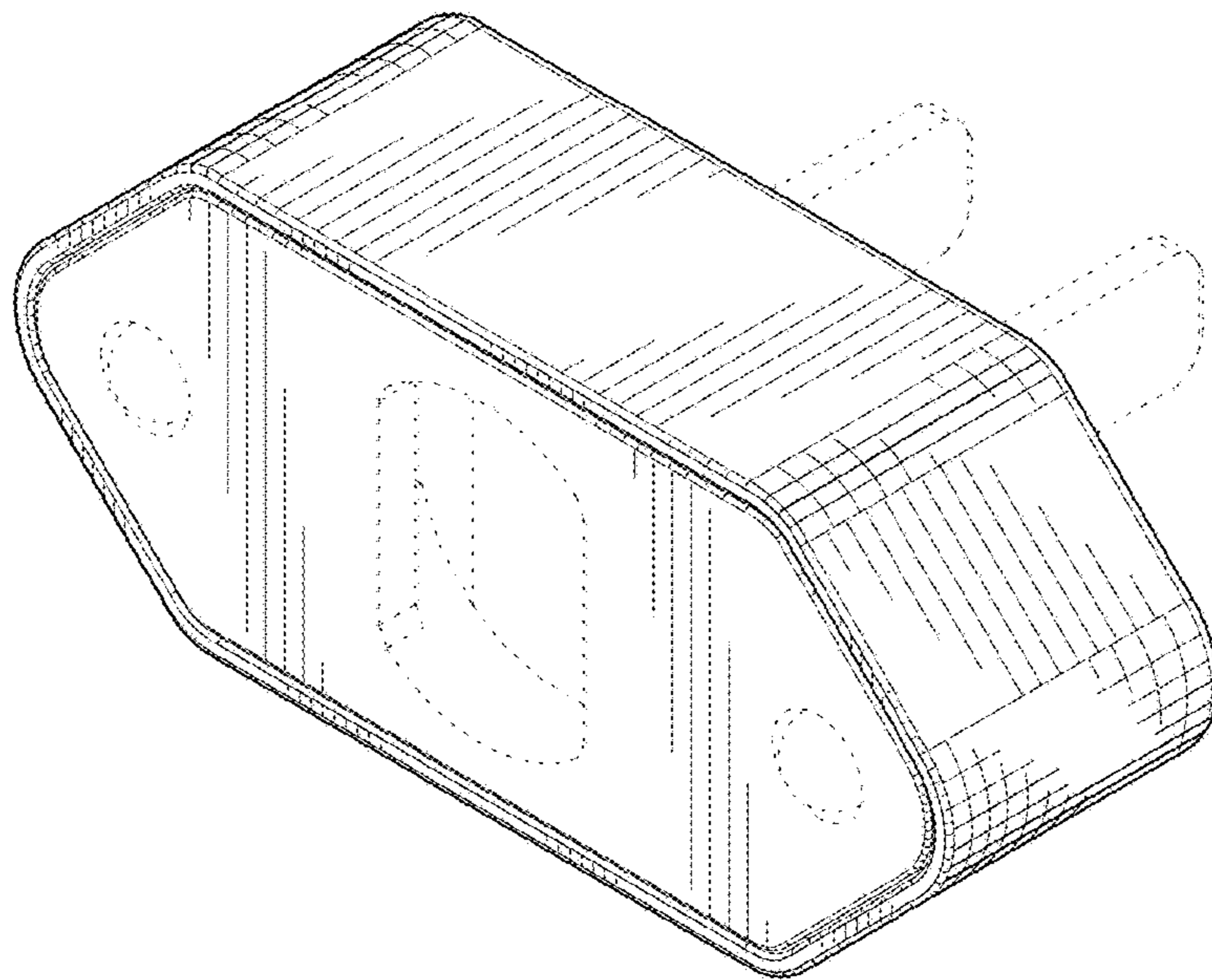


FIG.17

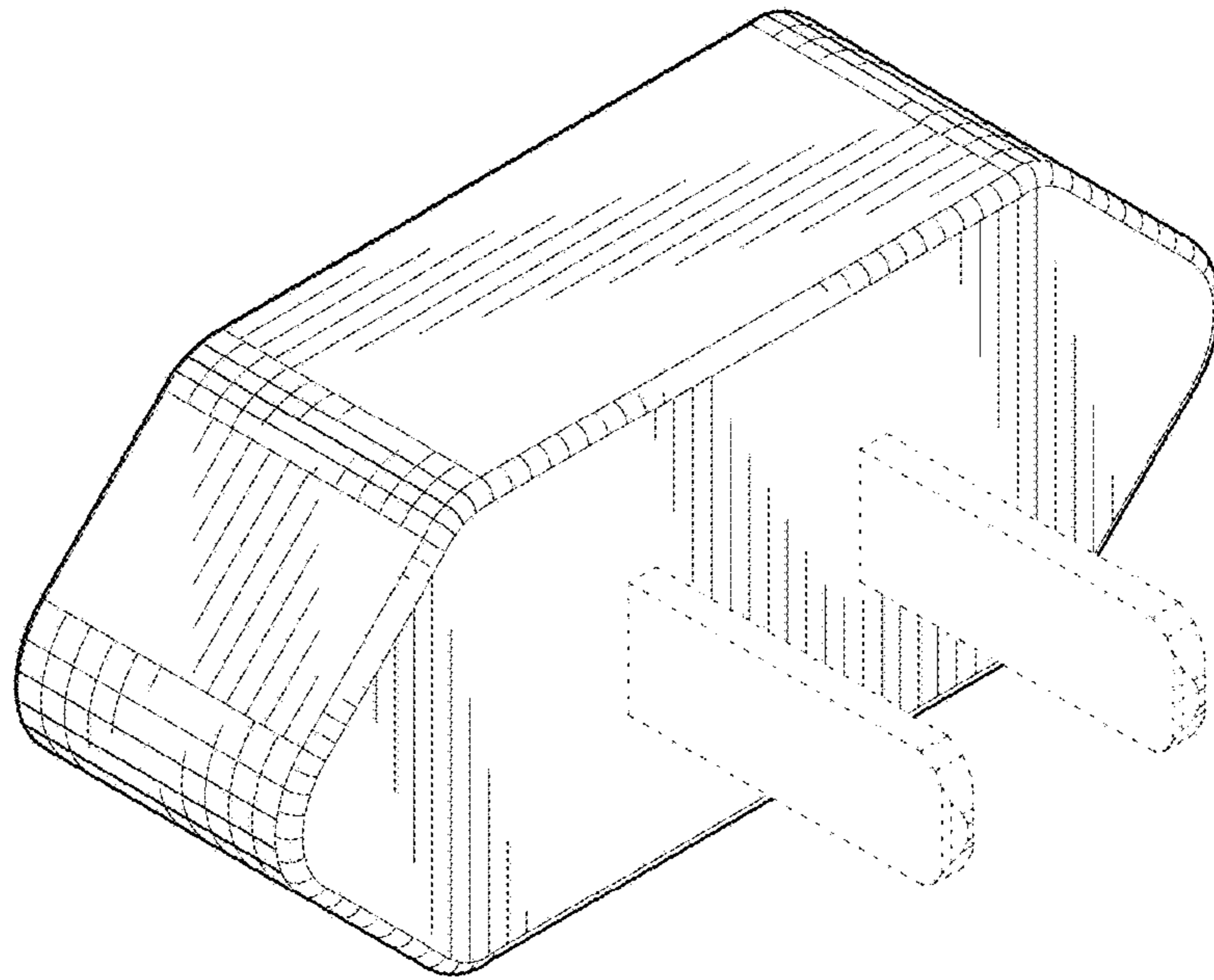


FIG. 18

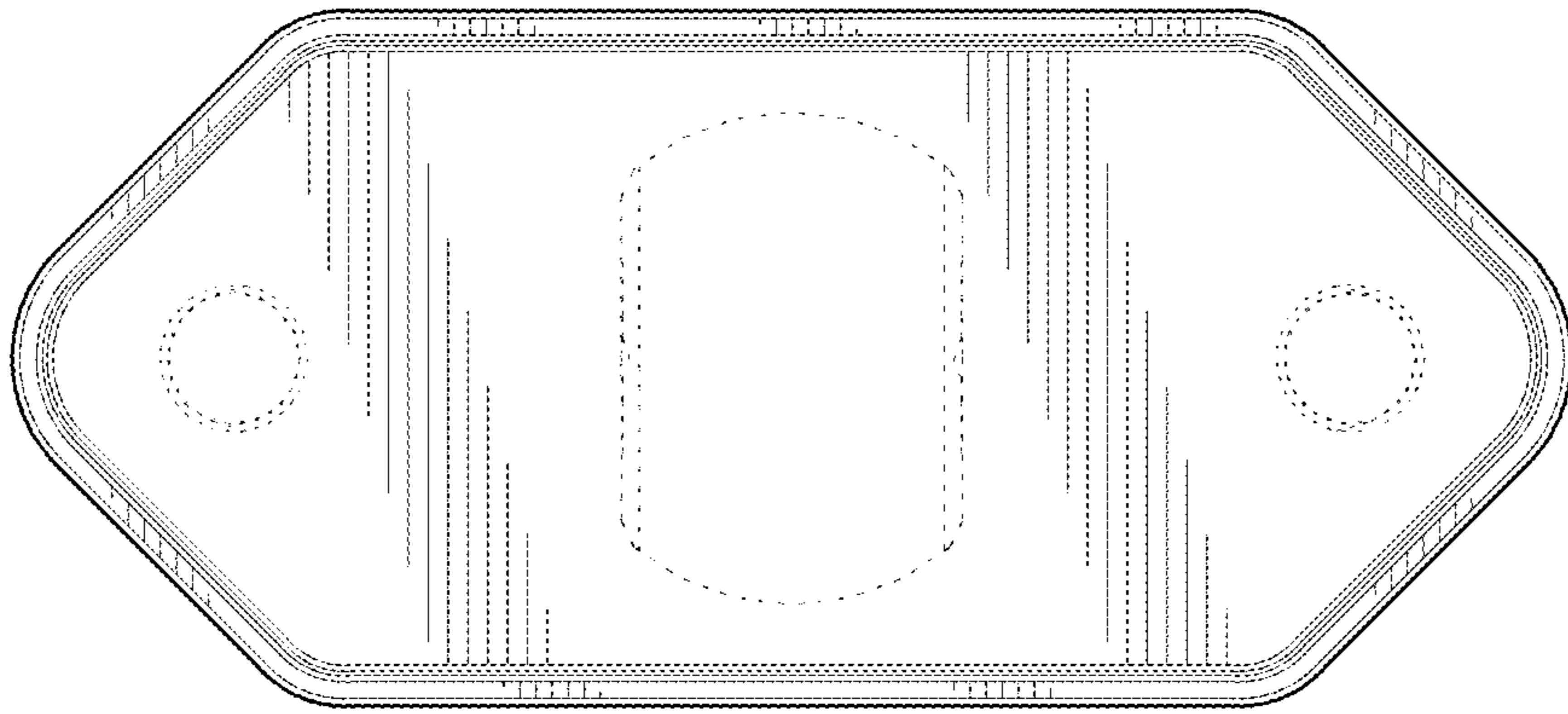


FIG.19

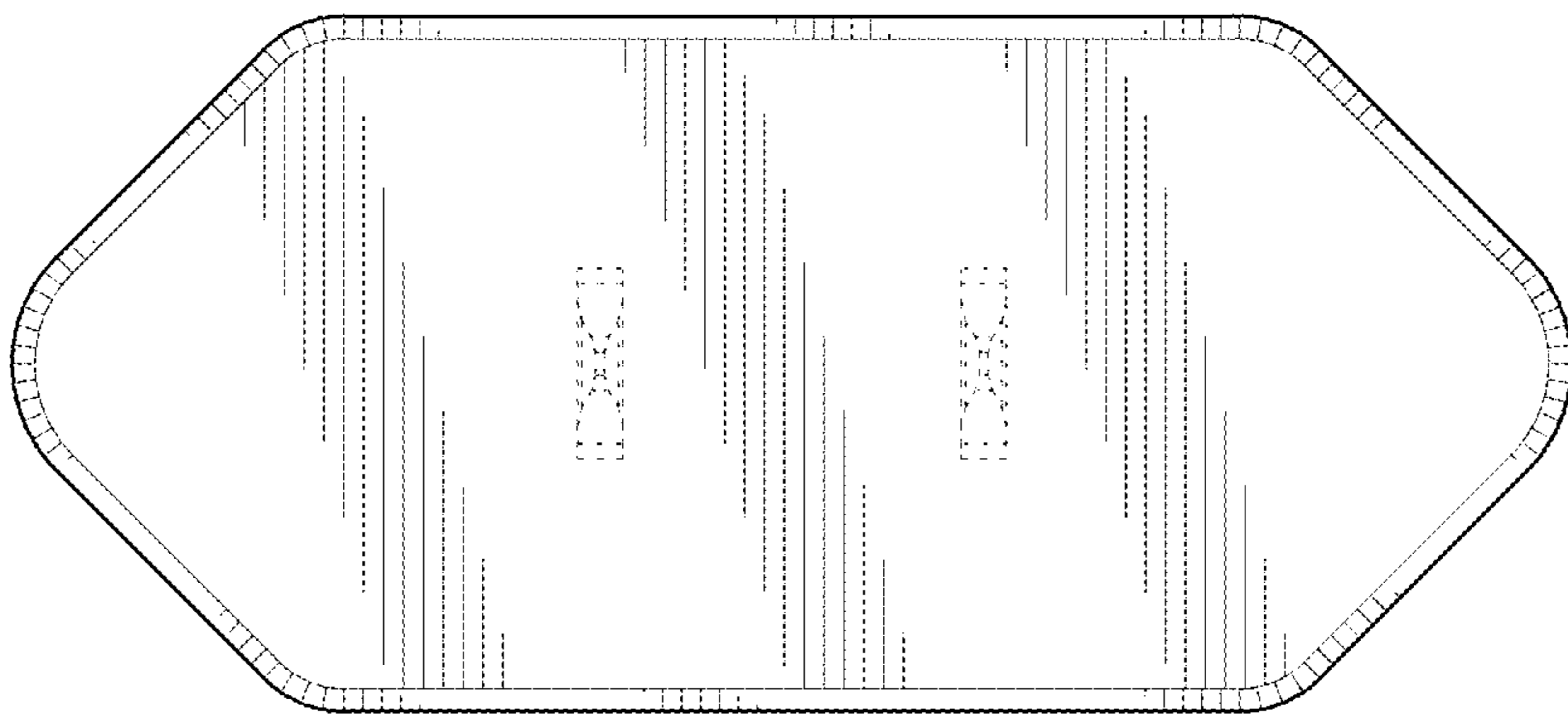


FIG.20

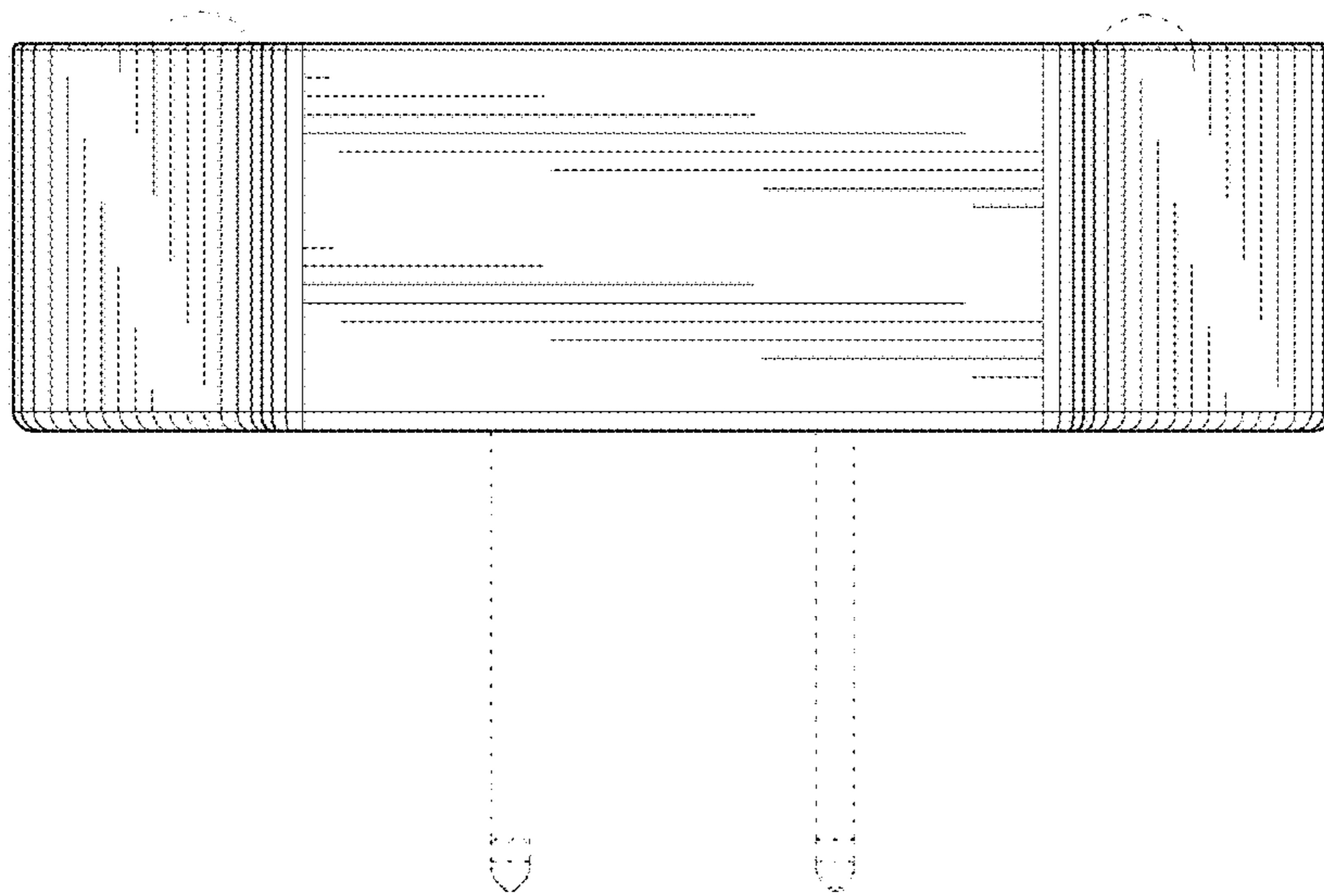


FIG.21

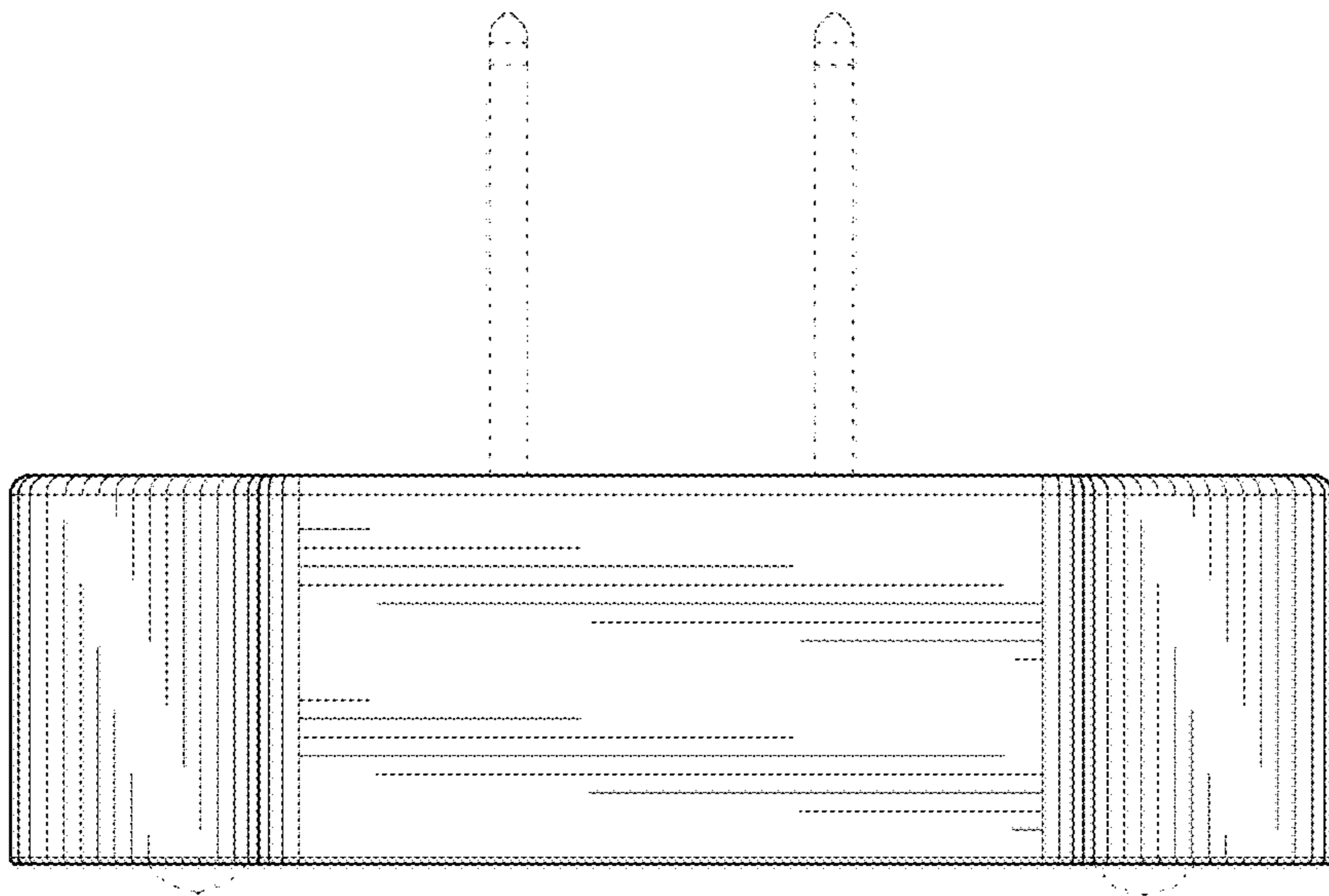


FIG. 22

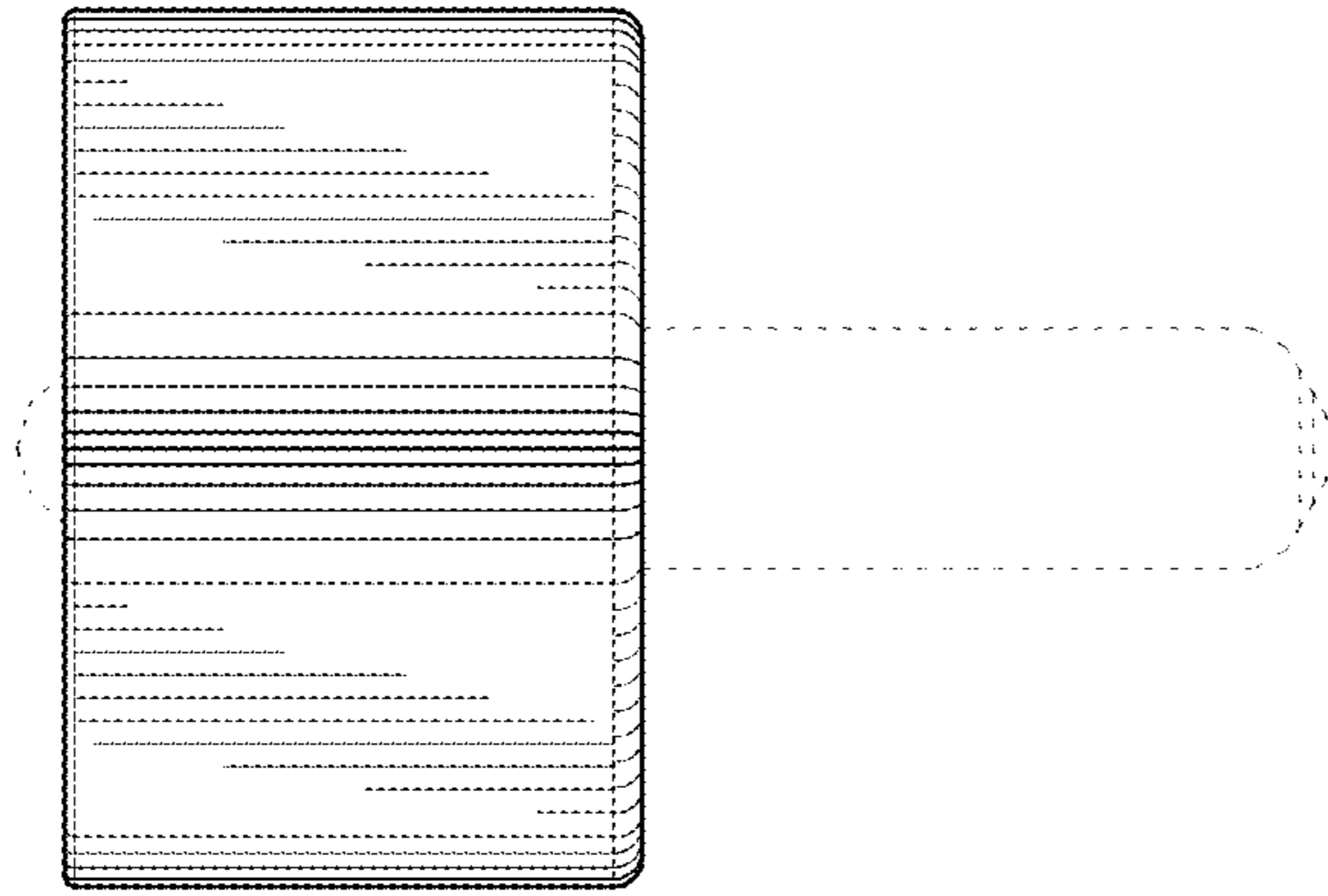


FIG. 23

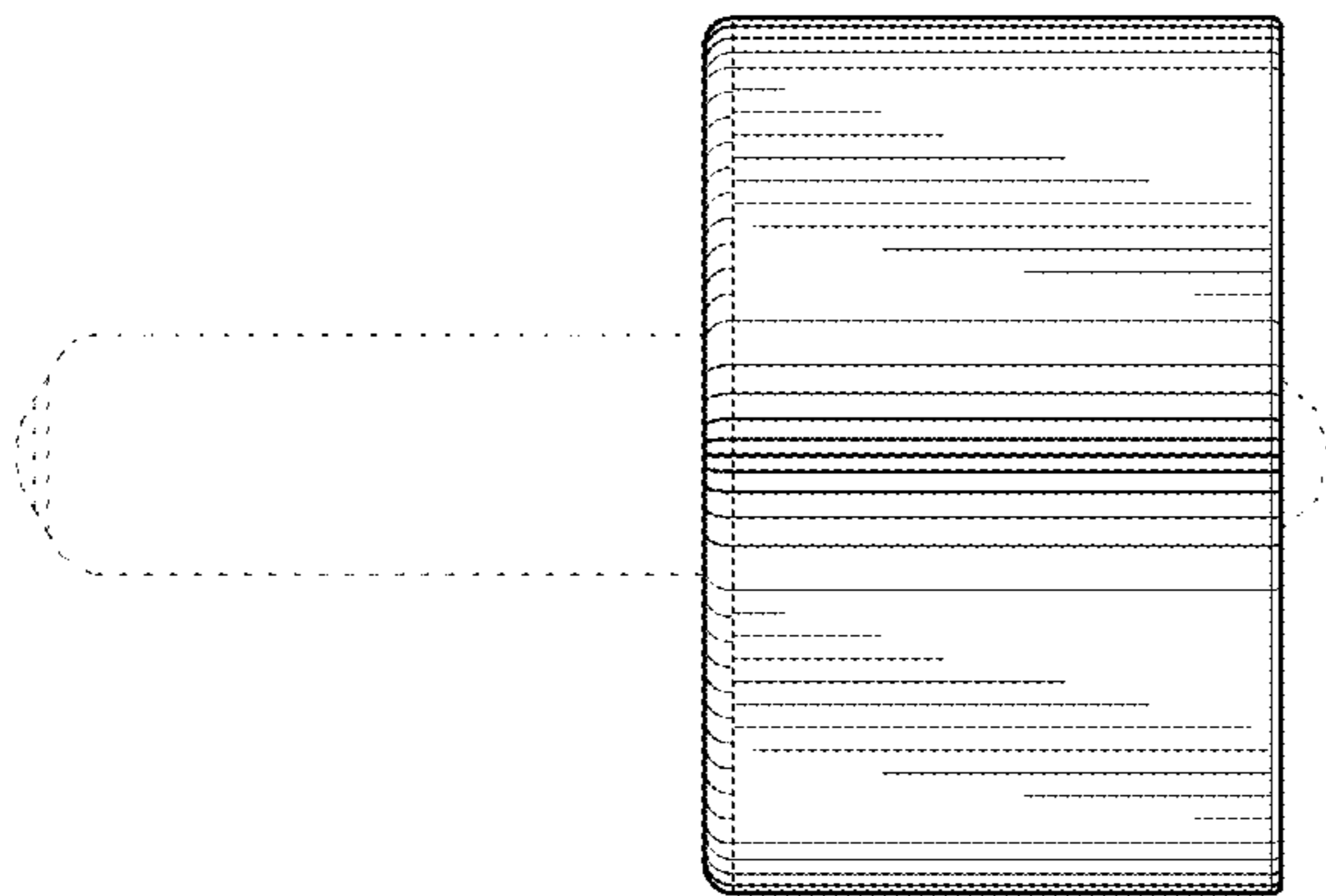


FIG. 24