



US00D773391S

(12) **United States Design Patent**  
**Haarburger et al.**

(10) **Patent No.:** **US D773,391 S**  
(45) **Date of Patent:** **\*\* Dec. 6, 2016**

(54) **KEYCHAIN BATTERY CHARGER**  
(71) Applicant: **Nite Ize, Inc.**, Boulder, CO (US)  
(72) Inventors: **Daniel Haarburger**, Boulder, CO (US);  
**Bowden Ormsbee**, Longmont, CO (US)  
(73) Assignee: **Nite Ize, Inc.**, Boulder, CO (US)  
(\*\*) Term: **15 Years**  
(21) Appl. No.: **29/535,214**  
(22) Filed: **Aug. 4, 2015**  
(51) **LOC (10) Cl.** ..... **13-02**  
(52) **U.S. Cl.**  
USPC ..... **D13/107**  
(58) **Field of Classification Search**  
USPC ..... D13/102–110, 118–119, 184, 199;  
D14/356, 432; D3/207–208  
CPC ..... Y02E 60/10; Y02E 60/12; Y02E 60/122;  
Y02E 60/124; Y02E 60/50; H01M 2/02;  
H01M 2/022; H01M 2/0202; H01M  
2/0207; H01M 2/0212; H01M  
2/1061; H01M 2/1022; H01M  
2/1055; H01M 2/1066; H01M 2/105;  
H01M 2/20; H01M 2/202; H01M 2/204;  
H01M 2/206; H01M 10/44; H01M 10/46;  
H01M 1/465; H01M 10/482; H01M  
2200/30; H01M 2250/30; H01M  
2250/40; H02J 7/00; H02J 7/003; H02J  
7/0011; H02J 7/0013; H02J 7/0054; H02J  
7/0055; H02J 7/0057; H02J 2007/0062;  
Y10T 70/8676  
See application file for complete search history.

(56) **References Cited**  
U.S. PATENT DOCUMENTS  
208,654 A \* 10/1878 Waldman ..... B26B 1/04  
33/334  
D244,343 S \* 5/1977 Hanson ..... 99/329 RT

D329,136 S \* 9/1992 Sanchez ..... D3/208  
D410,189 S \* 5/1999 Wehrs ..... D8/105  
D459,298 S \* 6/2002 Locke ..... D13/103  
D478,719 S \* 8/2003 Mercuri ..... D3/208  
D542,952 S \* 5/2007 Bhavnani ..... D26/37  
D749,509 S \* 2/2016 Blau ..... D13/108  
2012/0186314 A1\* 7/2012 Gonzales ..... G09F 3/20  
70/456 R  
2012/0295472 A1\* 11/2012 McSweyn ..... H01R 13/60  
439/501

\* cited by examiner

*Primary Examiner* — Rosemary K Tarcza  
*Assistant Examiner* — Nathaniel D Buckner  
(74) *Attorney, Agent, or Firm* — Haynes and Boone, LLP

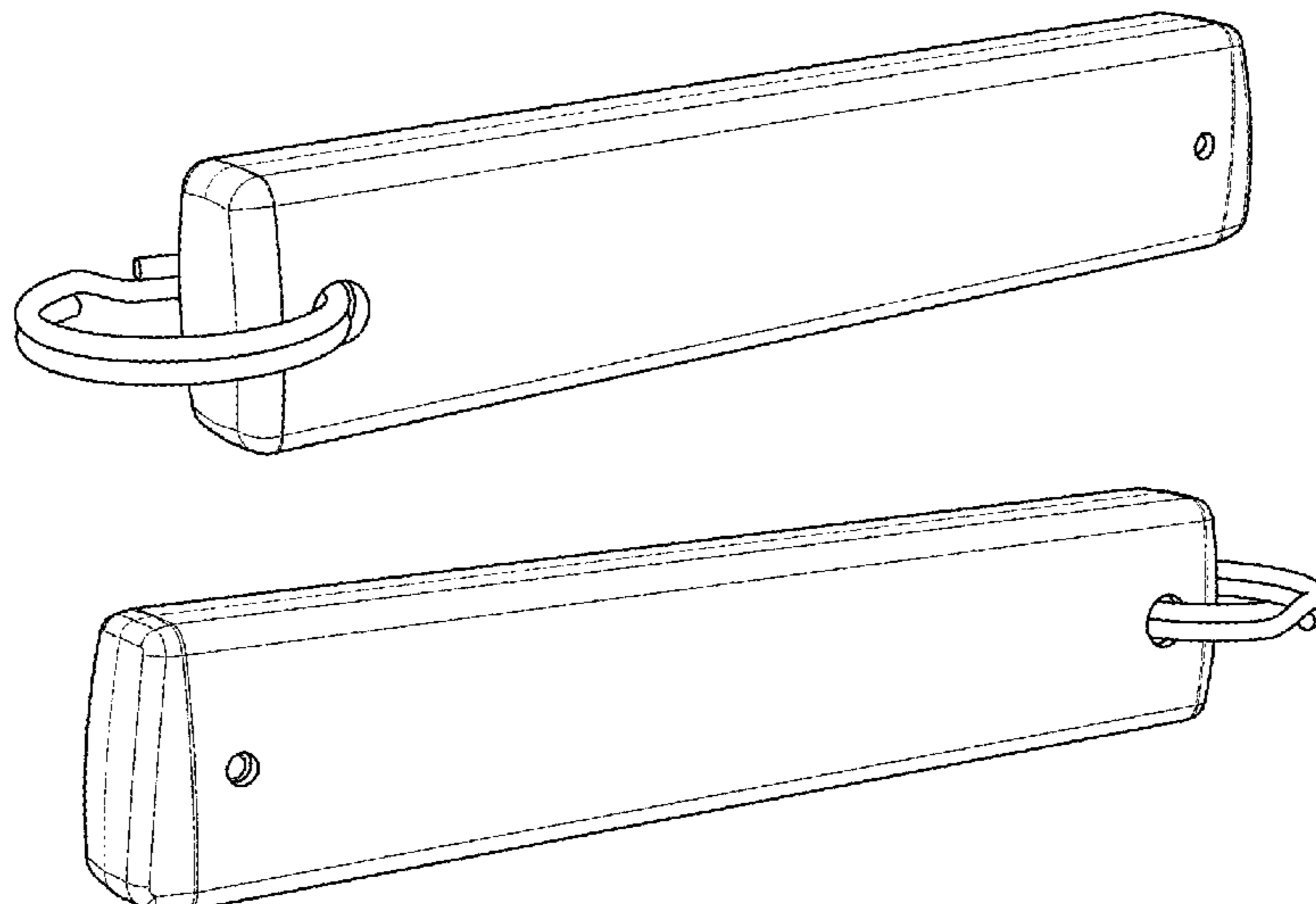
(57) **CLAIM**

The ornamental design for a keychain battery charger, as shown and described.

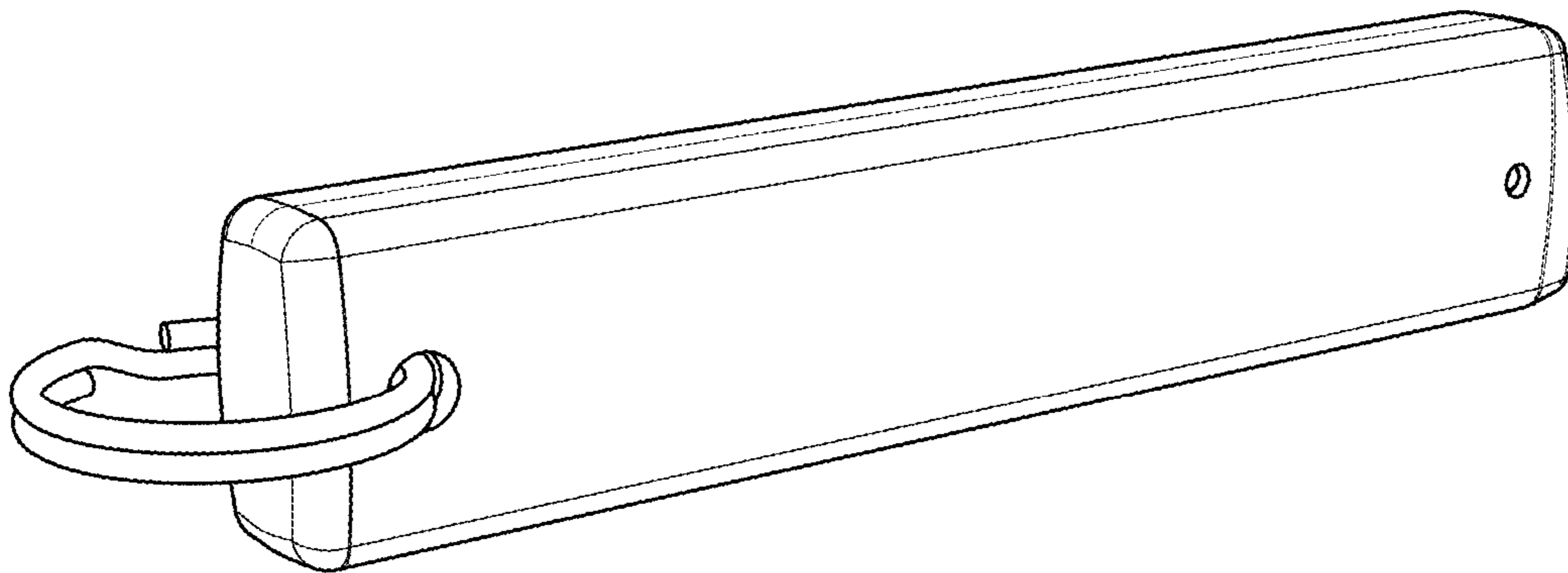
**DESCRIPTION**

FIG. 1 is a first perspective view of the keychain battery charger;  
FIG. 2 is a second perspective view of the keychain battery charger of FIG. 1;  
FIG. 3 is a front view of the keychain battery charger of FIG. 1;  
FIG. 4 is a back view of the keychain battery charger of FIG. 1;  
FIG. 5 is a top view of the keychain battery charger of FIG. 1;  
FIG. 6 is a bottom view of the keychain battery charger of FIG. 1;  
FIG. 7 is a left side view of the keychain battery charger of FIG. 1; and,  
FIG. 8 is a right side view of the keychain battery charger of FIG. 1.

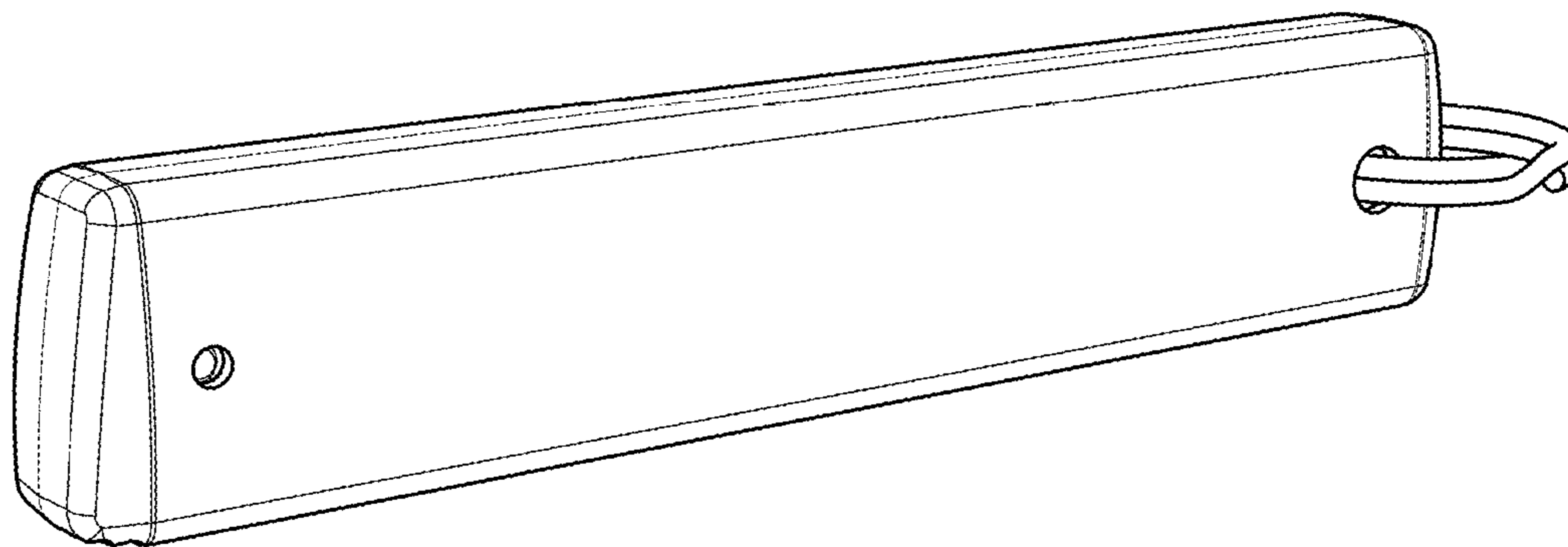
**1 Claim, 4 Drawing Sheets**



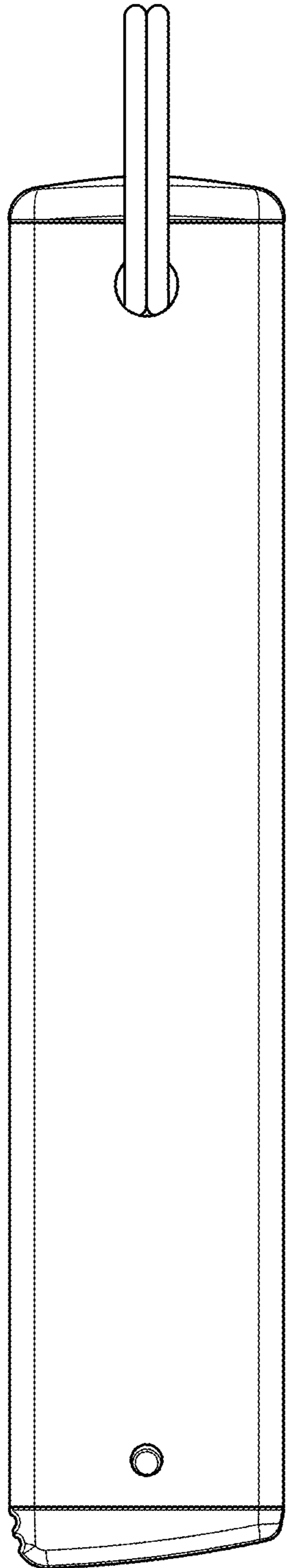
**FIG. 1**



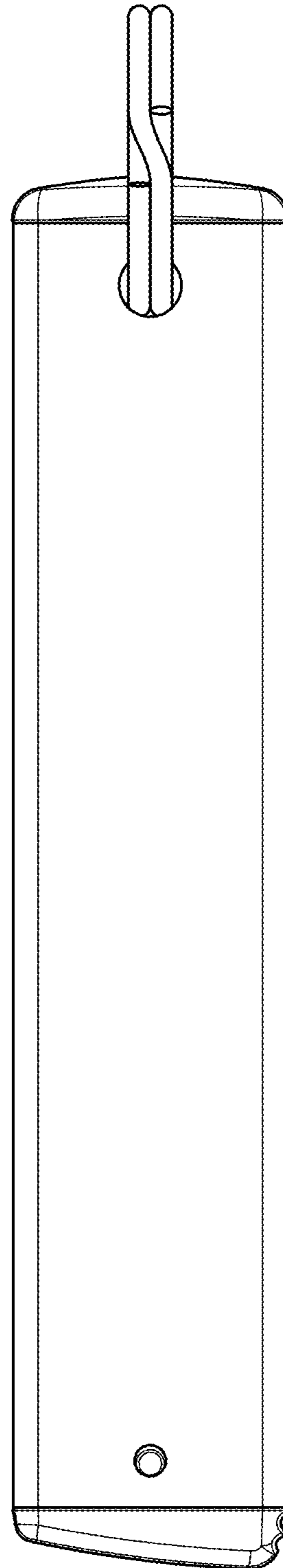
**FIG. 2**



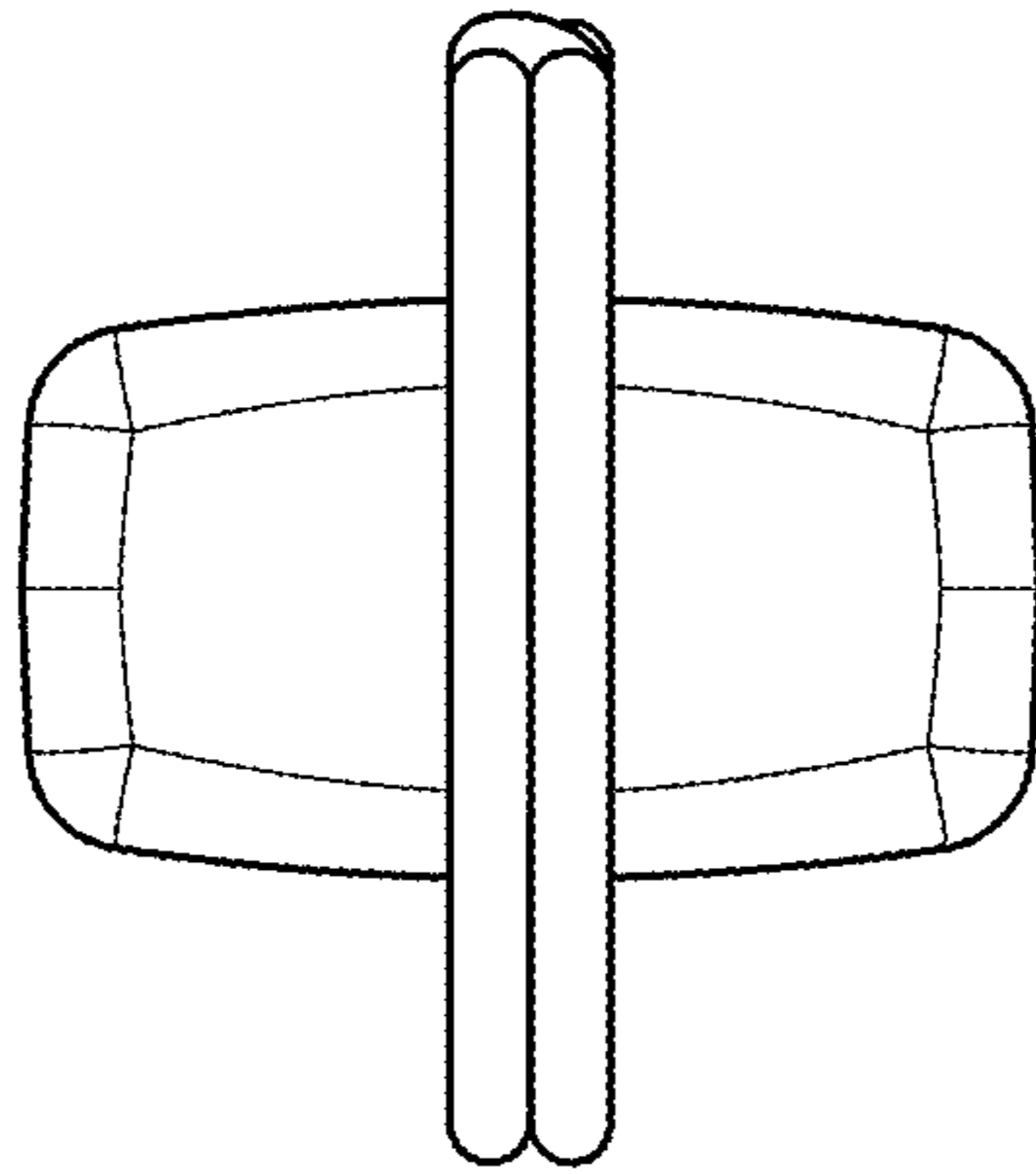
**FIG. 3**



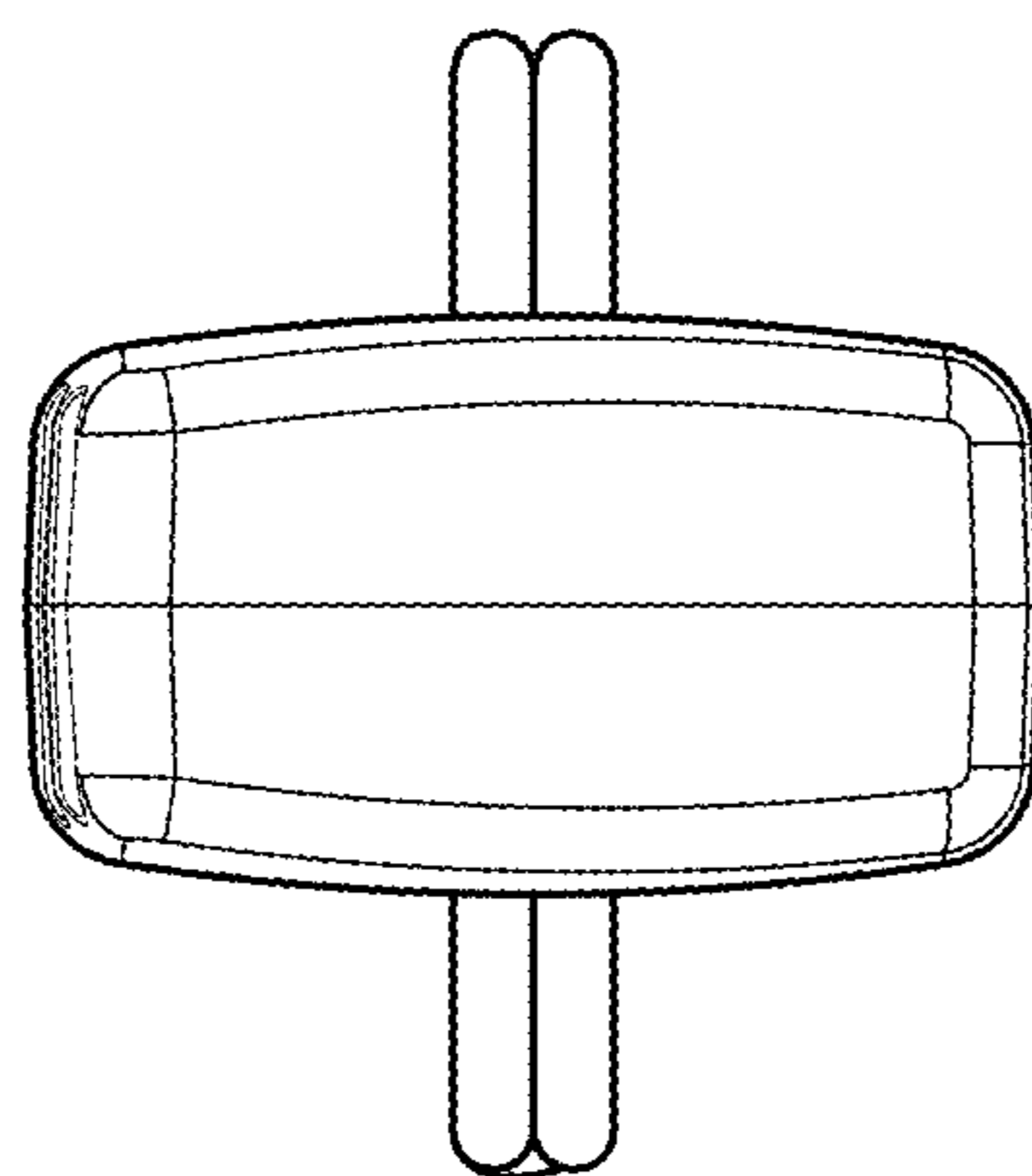
**FIG. 4**



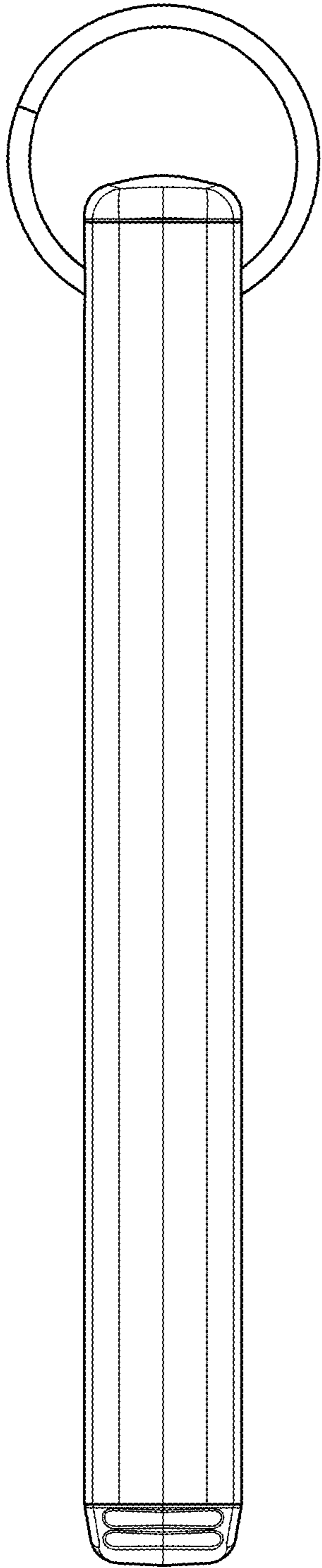
**FIG. 5**



**FIG. 6**



**FIG. 7**



**FIG. 8**

