



US00D773389S

(12) **United States Design Patent** (10) **Patent No.:** **US D773,389 S**  
**Miller et al.** (45) **Date of Patent:** **\*\* Dec. 6, 2016**

(54) **BATTERY PACK**  
(71) Applicant: **BLACK & DECKER INC.**, Newark, DE (US)  
(72) Inventors: **David A. Miller**, Baltimore, MD (US); **Corey Barnett**, Bowie, MD (US)  
(73) Assignee: **BLACK & DECKER INC.**, New Britain, CT (US)  
(\*\*) Term: **14 Years**  
(21) Appl. No.: **29/518,366**  
(22) Filed: **Feb. 23, 2015**  
(51) **LOC (10) Cl.** ..... **13-02**  
(52) **U.S. Cl.**  
USPC ..... **D13/103**; D13/108  
(58) **Field of Classification Search**  
USPC ..... D13/102-110, 118-119, 184, 199;  
320/107-115; D14/251, 253, 356, 432,  
D14/434  
CPC ... Y02E 60/12; Y02E 60/122; Y02E 60/124;  
Y02E 60/50; H01M 2/02; H01M 2/022;  
H01M 2/0212; H01M 2/1061; H01M 2/1066;  
H01M 2/206; H01M 2/0202; H01M 10/44;  
H01M 10/465; H01M 10/482; H01M 10/46;  
H01M 2200/30; H01M 2250/40; H02J  
7/0003; H02J 7/0011; H02J 7/0013; H02J  
7/0055  
See application file for complete search history.

(56) **References Cited**

**U.S. PATENT DOCUMENTS**

D612,329 S \* 3/2010 Guccione ..... D13/108  
D676,380 S \* 2/2013 Sun ..... D13/108  
D678,187 S \* 3/2013 Huang ..... D13/103  
D693,297 S \* 11/2013 Inskeep ..... D13/103  
D704,135 S \* 5/2014 Stewart ..... D13/108

D705,719 S \* 5/2014 Wong ..... D13/103  
D705,724 S \* 5/2014 Yu ..... D13/108  
D711,820 S \* 8/2014 Zeng ..... D13/103  
D711,821 S \* 8/2014 Wang ..... D13/103  
D713,786 S \* 9/2014 Wen ..... D13/103  
D722,018 S \* 2/2015 Wang ..... D13/103  
D733,043 S \* 6/2015 Hasbrook ..... D13/103  
D733,051 S \* 6/2015 Wang ..... D13/103  
D743,333 S \* 11/2015 Nomi ..... D13/108  
D744,420 S \* 12/2015 Chen ..... D13/103  
D751,981 S \* 3/2016 Lin ..... D13/103  
D751,984 S \* 3/2016 Lin ..... D13/103  
D760,645 S \* 7/2016 Chen ..... D13/103  
2008/0112158 A1 \* 5/2008 Ellis ..... H01M 10/46  
362/158  
2010/0117597 A1 \* 5/2010 Wang ..... H02J 7/0042  
320/111  
2012/0154991 A1 \* 6/2012 Lei ..... H04M 1/0262  
361/679.01  
2014/0042969 A1 \* 2/2014 Miller ..... H02J 7/0042  
320/111

\* cited by examiner

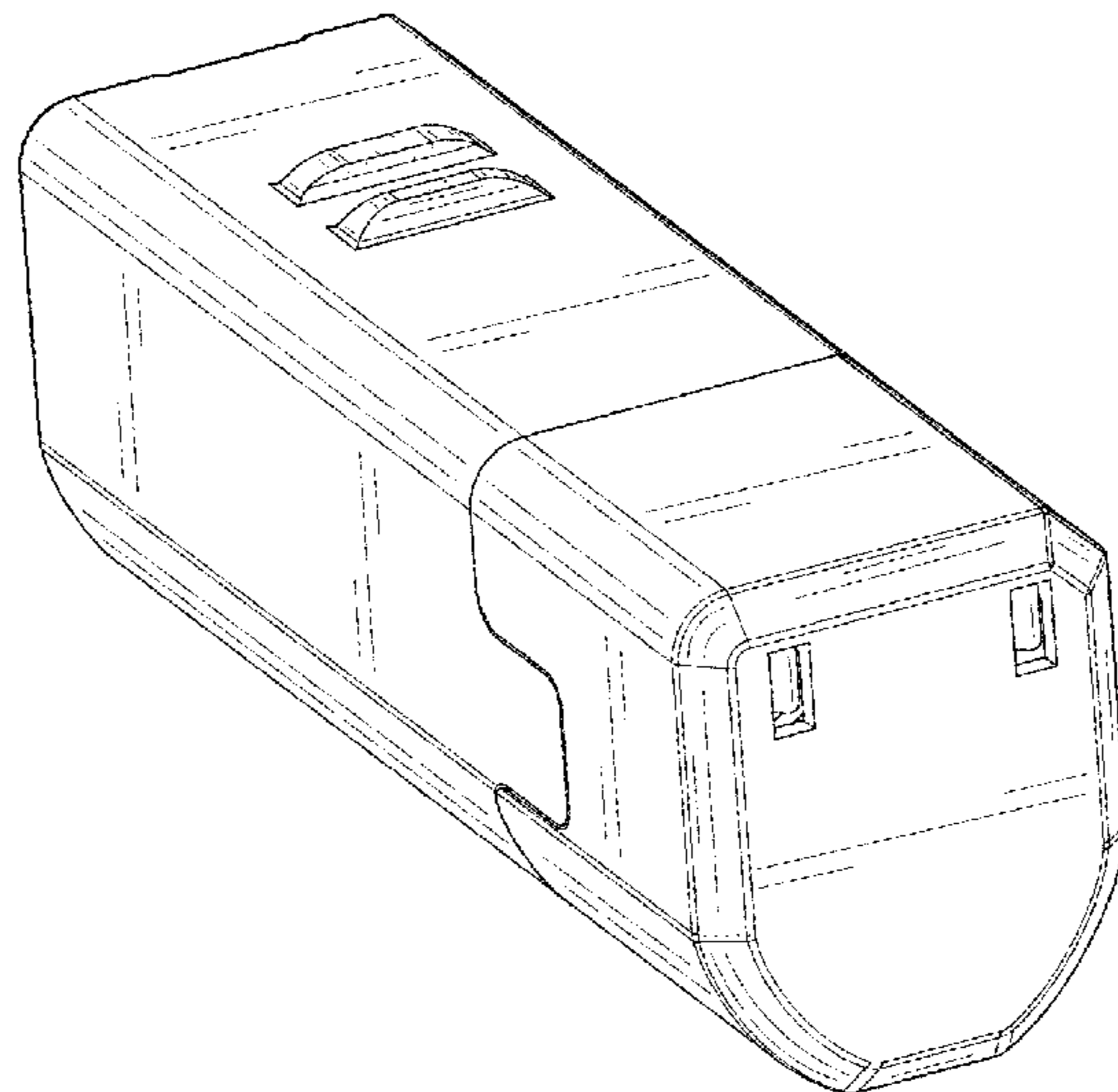
*Primary Examiner* — Rosemary K Tarcza  
*Assistant Examiner* — James Thorn, Sr.  
(74) *Attorney, Agent, or Firm* — Michael Aronoff

(57) **CLAIM**  
The ornamental design for a battery pack, as shown and described.

**DESCRIPTION**

FIG. 1 is a front perspective view of a battery pack showing my new design;  
FIG. 2 is a rear perspective view thereof;  
FIG. 3 is a front view thereof;  
FIG. 4 is a rear view thereof;  
FIG. 5 is a right side view thereof;  
FIG. 6 is a left side view thereof;  
FIG. 7 is a top plan view thereof; and,  
FIG. 8 is a bottom plan view thereof.

**1 Claim, 8 Drawing Sheets**



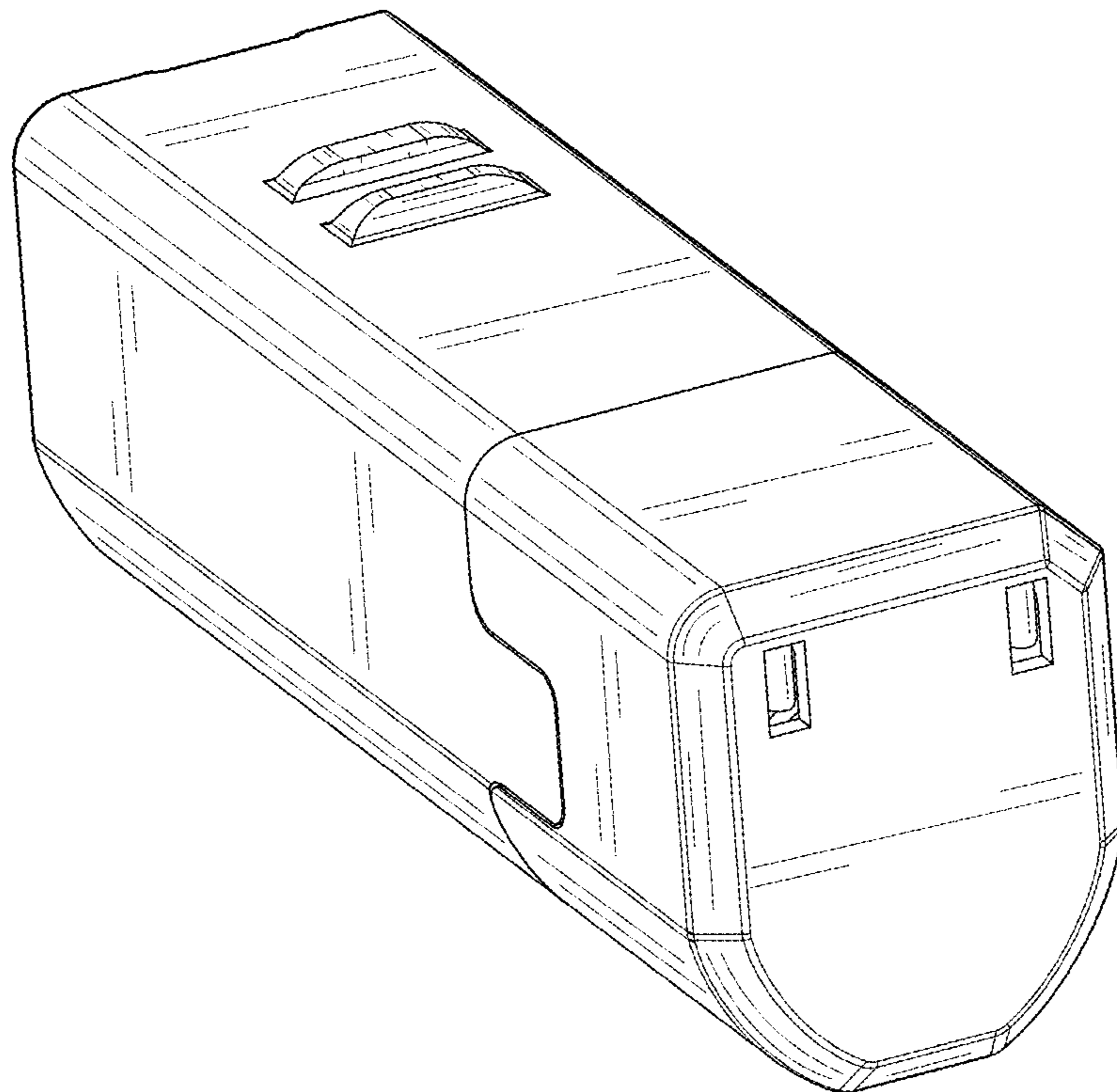


FIG. 1

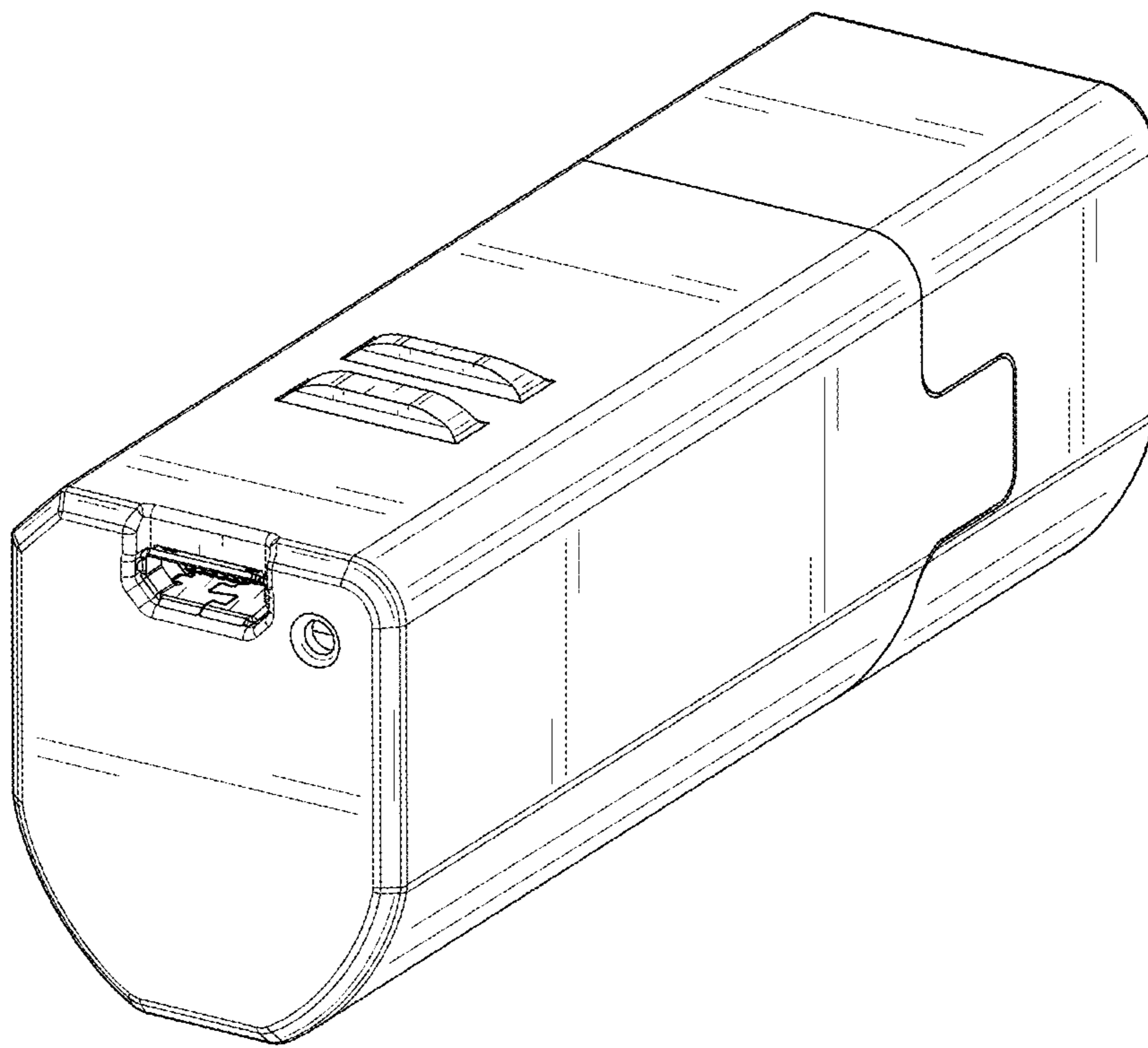


FIG. 2

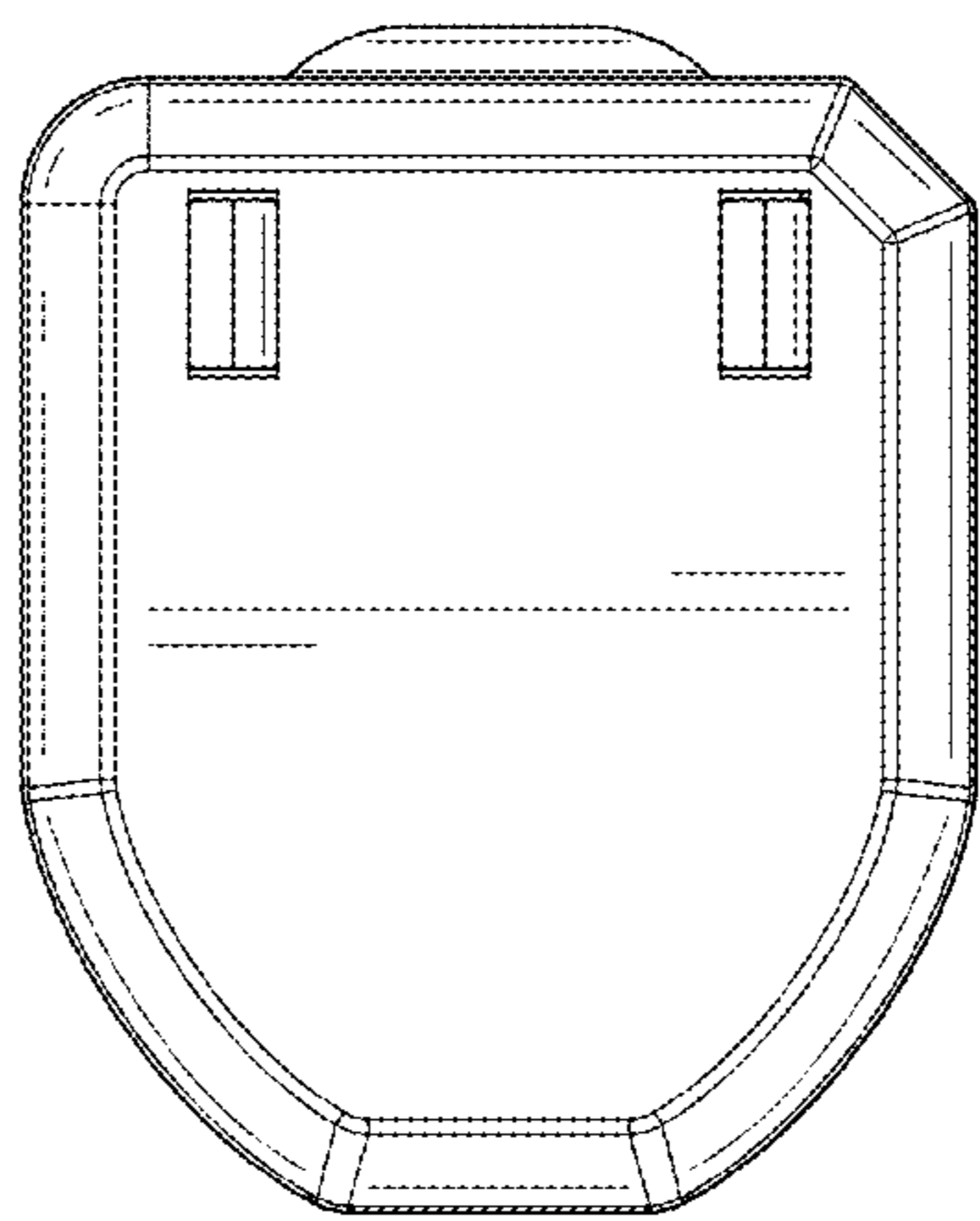


FIG. 3

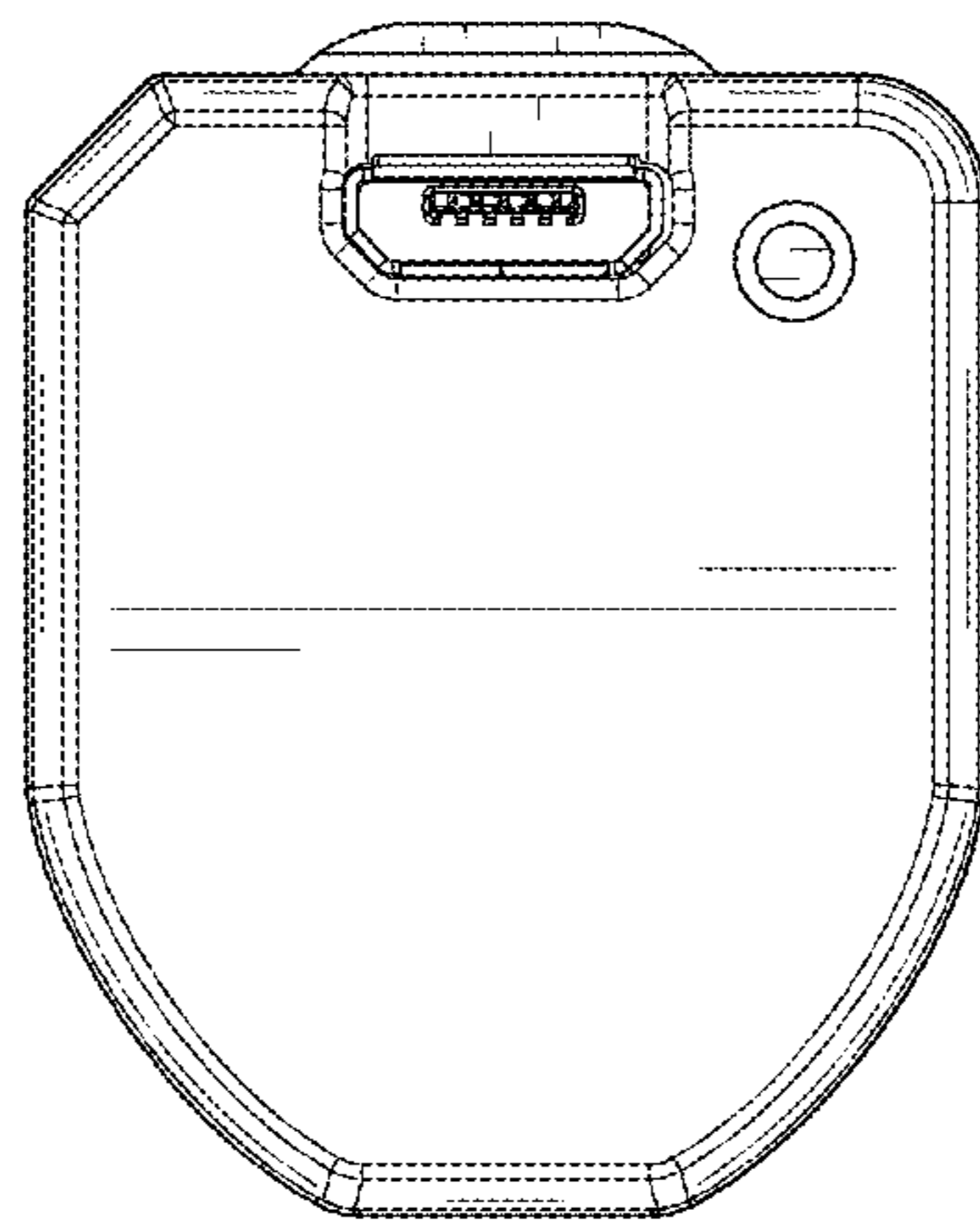


FIG. 4

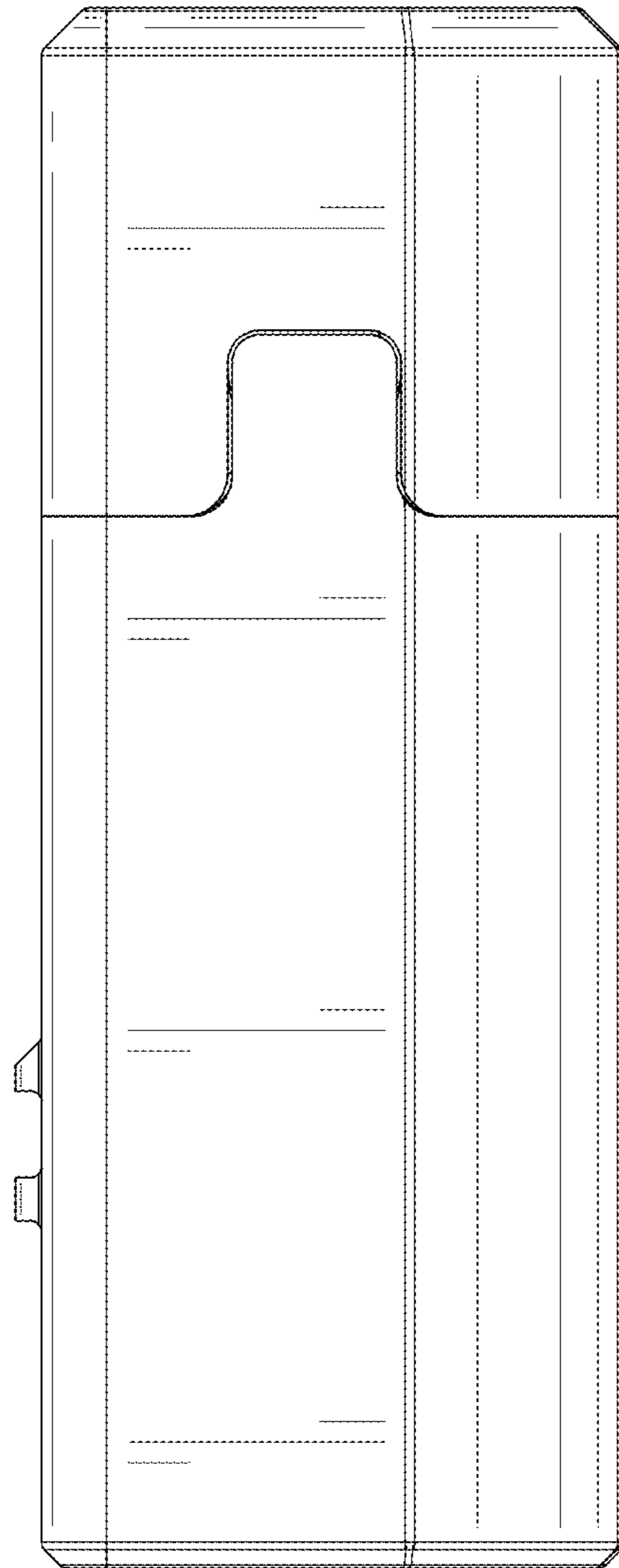


FIG. 5

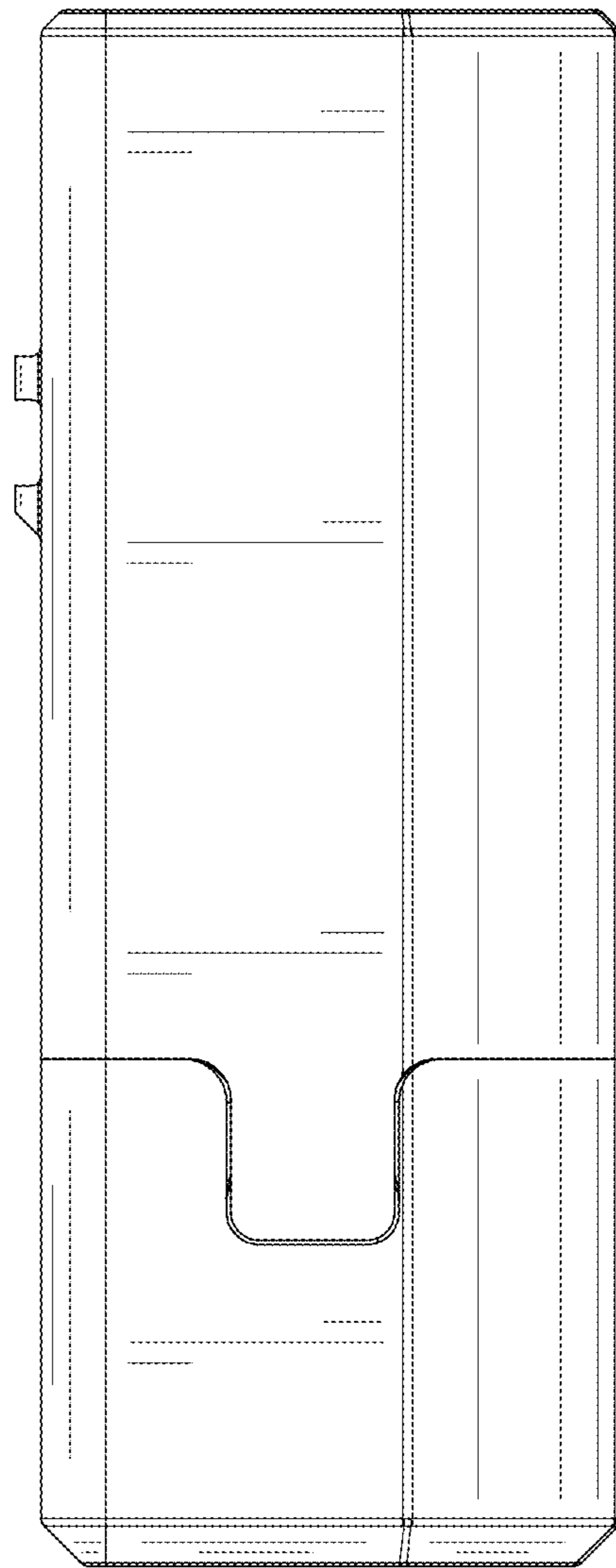


FIG. 6

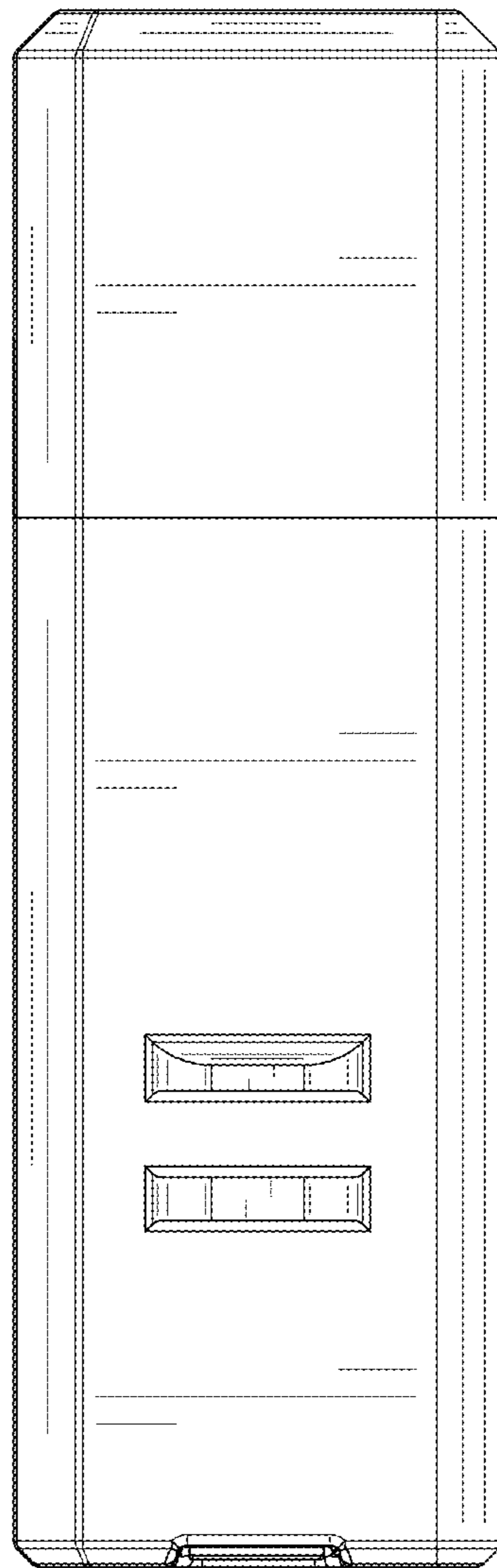


FIG. 7



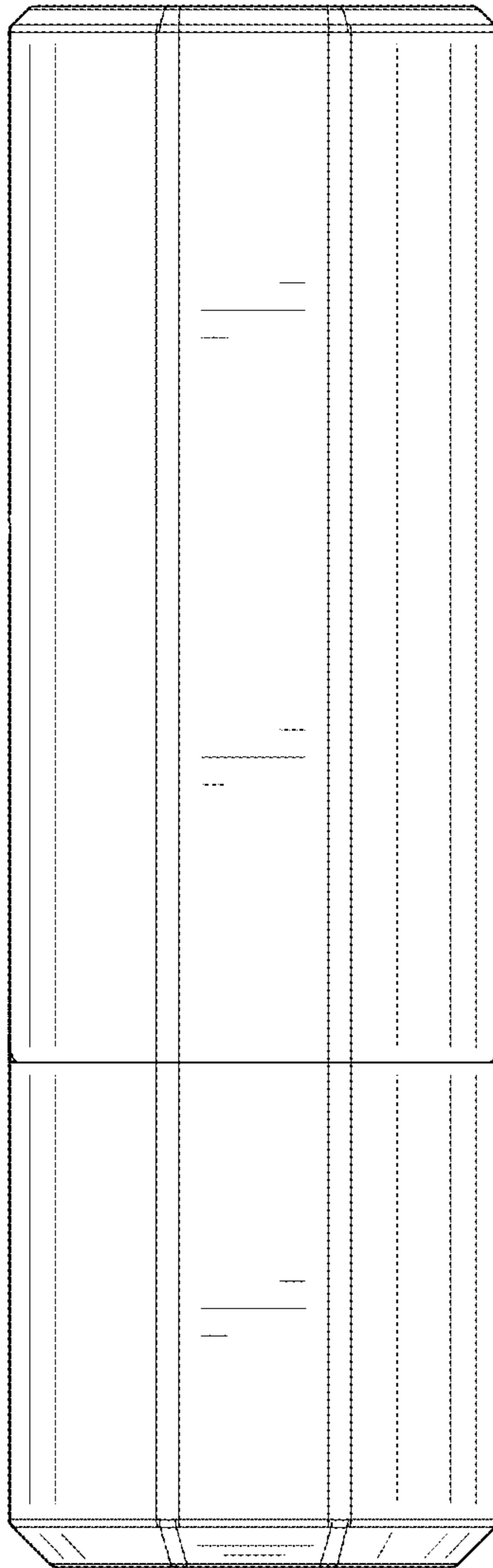


FIG. 8