



US00D773386S

(12) **United States Design Patent**
Fujioka

(10) **Patent No.:** **US D773,386 S**

(45) **Date of Patent:** **** Dec. 6, 2016**

- (54) **TIRE**
- (71) Applicant: **Toyo Tire & Rubber Co., Ltd.**,
Osaka-shi, Osaka (JP)
- (72) Inventor: **Tsuyoshi Fujioka**, Osaka (JP)
- (73) Assignee: **TOYO TIRE & RUBBER CO., LTD.**,
Osaka (JP)
- (**) Term: **15 Years**
- (21) Appl. No.: **29/535,842**
- (22) Filed: **Aug. 11, 2015**
- (30) **Foreign Application Priority Data**
Mar. 30, 2015 (JP) 2015-006907
- (51) **LOC (10) Cl.** **12-15**
- (52) **U.S. Cl.**
USPC **D12/595**
- (58) **Field of Classification Search**
USPC D12/568-604, 900
CPC B60C 1/0016; B60C 11/0306; B60C
11/0302; B60C 3/06; B60C 9/17
See application file for complete search history.

D674,740 S *	1/2013	Mathonet	D12/588
D675,560 S *	2/2013	Kato	D12/590
D719,907 S *	12/2014	Ohara	D12/588
D732,465 S *	6/2015	Yamada	D12/588
D746,223 S *	12/2015	Hutz	D12/588
D747,261 S *	1/2016	Barrett	D12/590
D757,639 S *	5/2016	Hamanaka	D12/584

FOREIGN PATENT DOCUMENTS

JP 882979 S 11/1993

* cited by examiner

Primary Examiner — Robert M Spear

Assistant Examiner — John Voytek

(74) *Attorney, Agent, or Firm* — Sterne, Kessler,
Goldstein & Fox P.L.L.C.

(57) **CLAIM**

The ornamental design for a tire, as shown and described.

DESCRIPTION

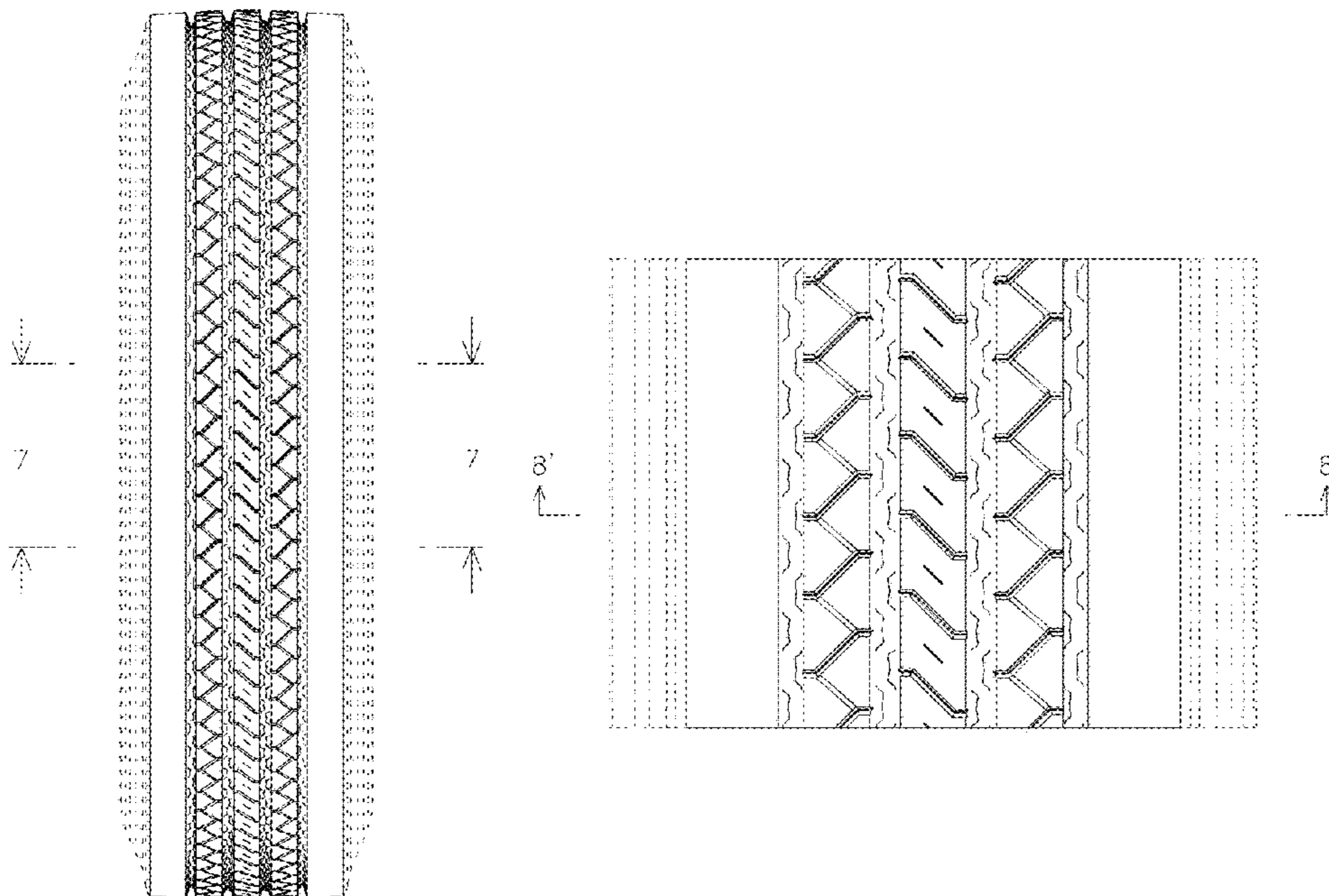
FIG. 1 is a perspective view of a tire showing my new design;
 FIG. 2 is a front view thereof;
 FIG. 3 is a rear view thereof;
 FIG. 4 is a top plan view thereof, the bottom view being the same;
 FIG. 5 is a right side view thereof;
 FIG. 6 is a left side view thereof;
 FIG. 7 is an enlarged view of the portion 7-7 in FIG. 2; and,
 FIG. 8 is an enlarged cross-sectional view taken along line 8-8 in FIG. 5 and line 8'-8' in FIG. 7.
 In the drawings, the broken lines showing portions of the sidewall and inner bead depict portions of the tire that form no part of the claimed design.

1 Claim, 8 Drawing Sheets

(56) **References Cited**

U.S. PATENT DOCUMENTS

D388,030 S *	12/1997	Schuster	D12/586
D605,107 S *	12/2009	Ludwig	D12/588
D605,108 S *	12/2009	Brown	D12/588
D615,922 S *	5/2010	Takano	D12/588
D635,915 S *	4/2011	Hamada	D12/588
D652,370 S *	1/2012	Buchinger-Barnstorf ...	D12/588
D657,303 S	4/2012	Yokomakura	



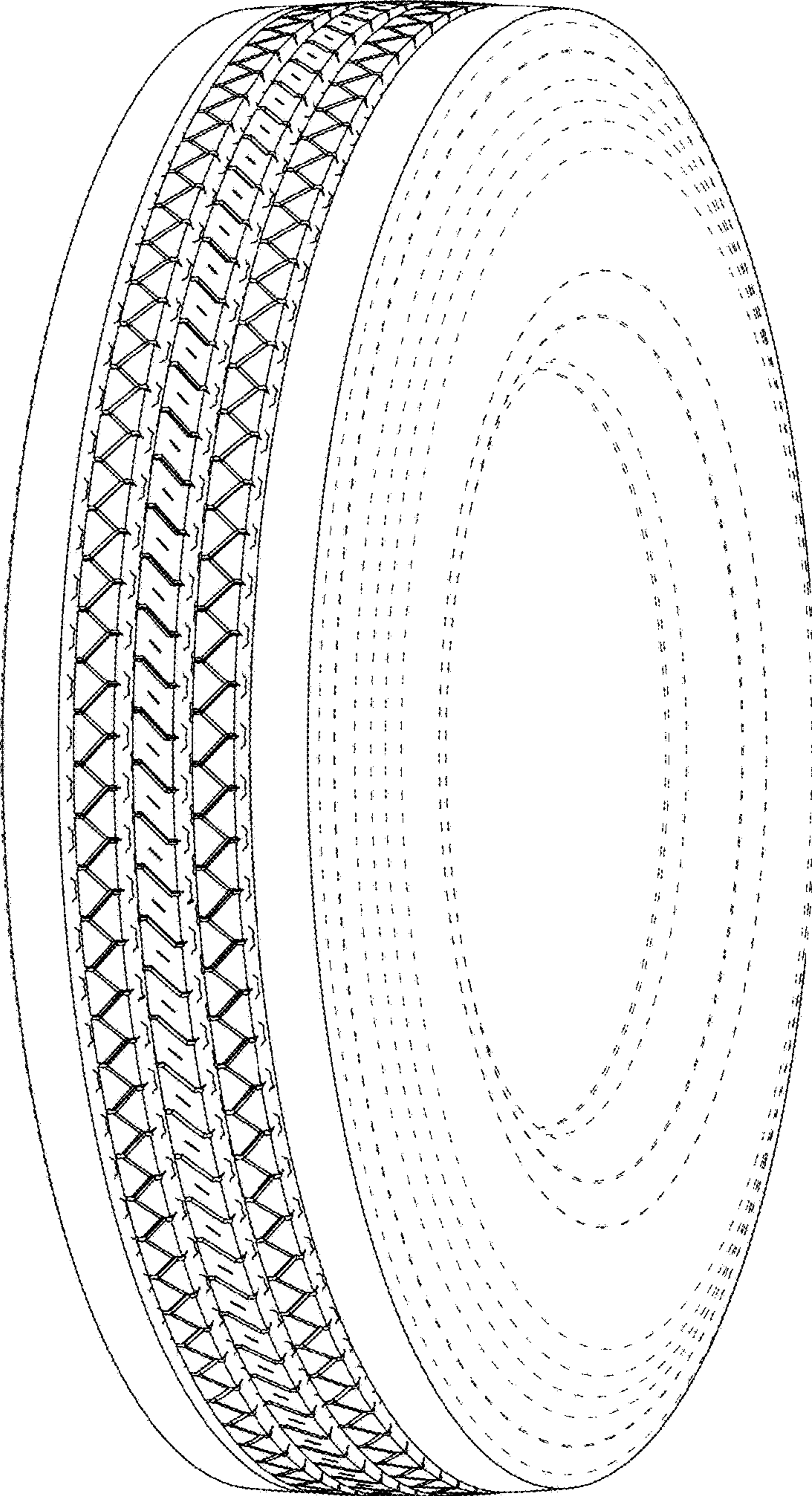


FIG. 1

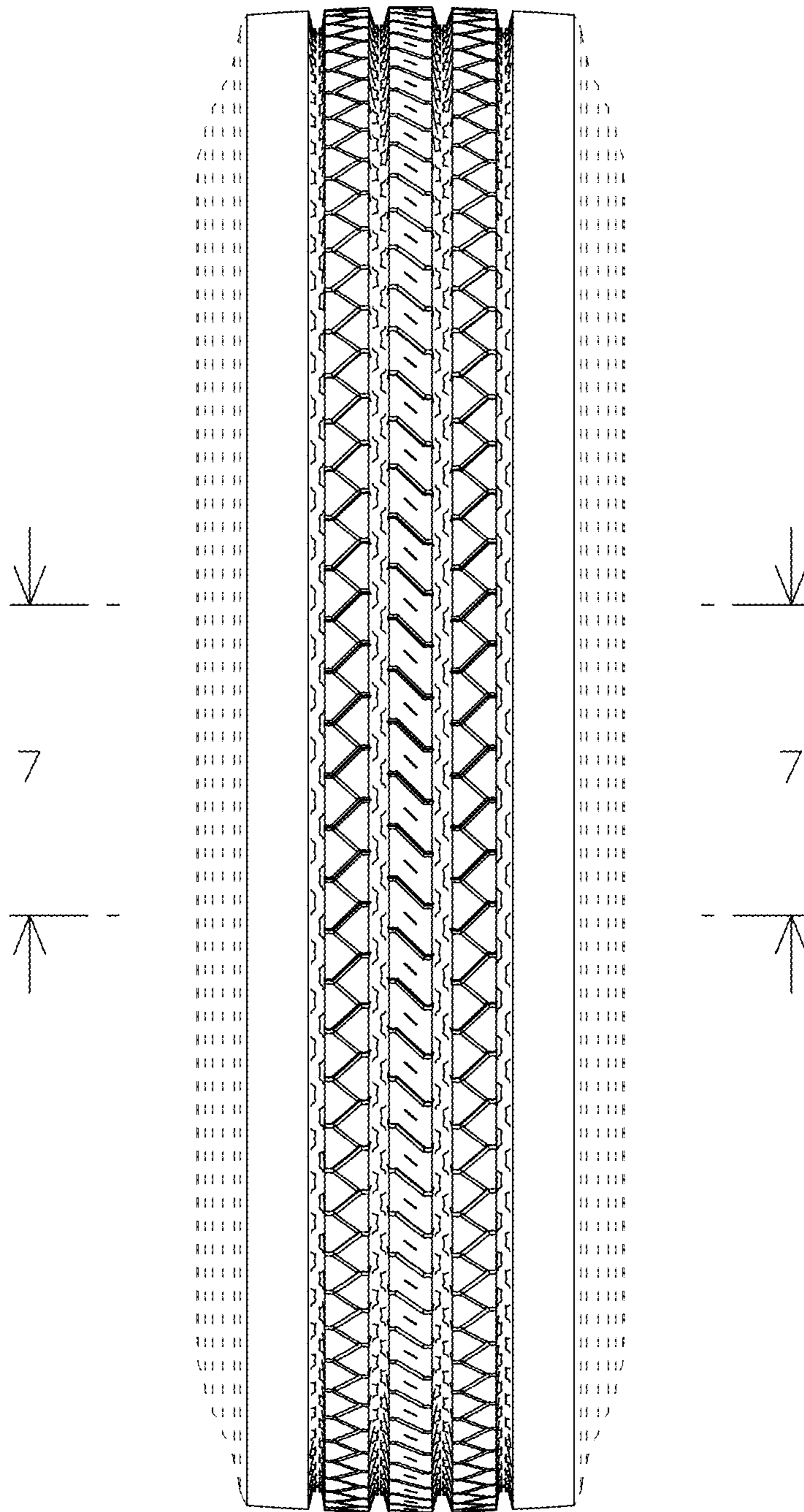


FIG. 2

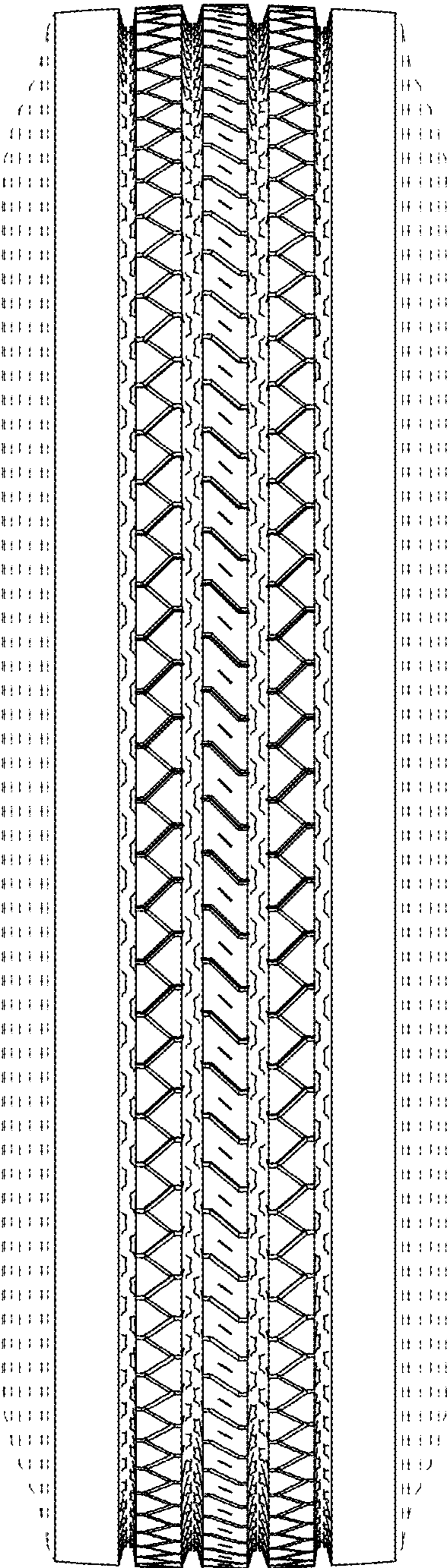


FIG. 3

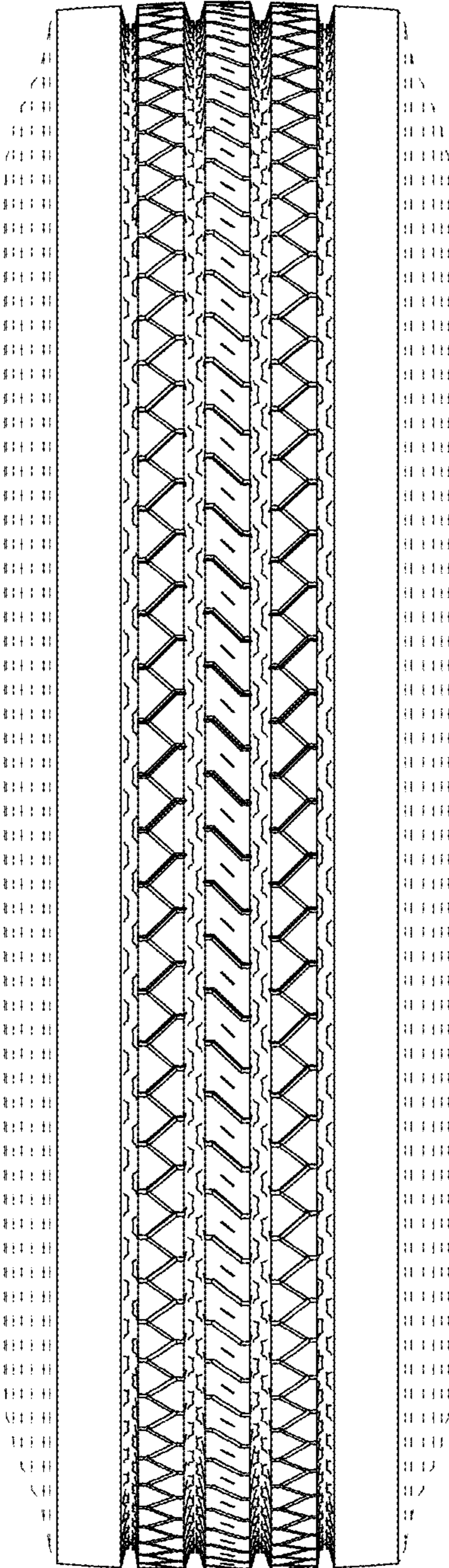


FIG. 4

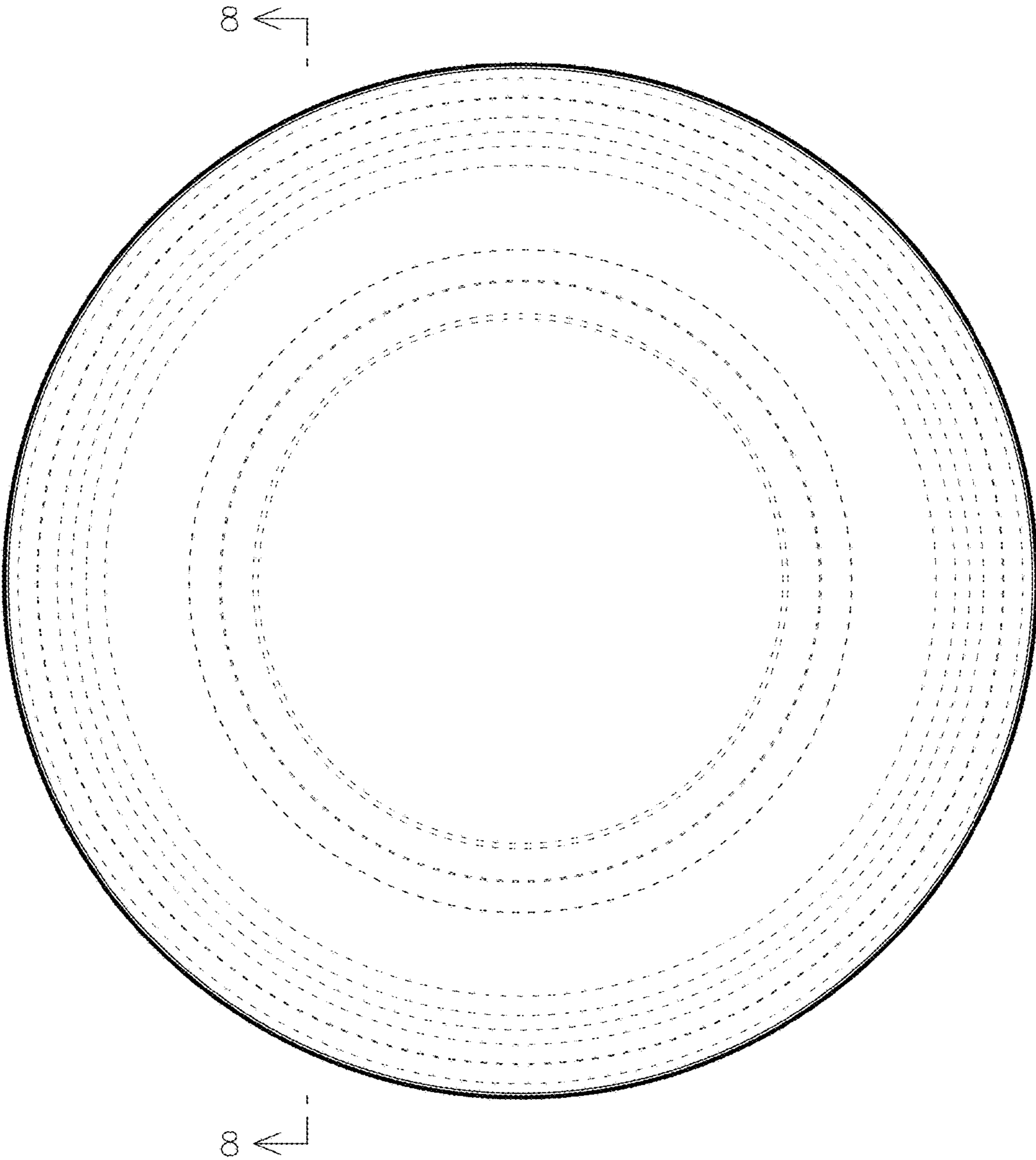


FIG. 5

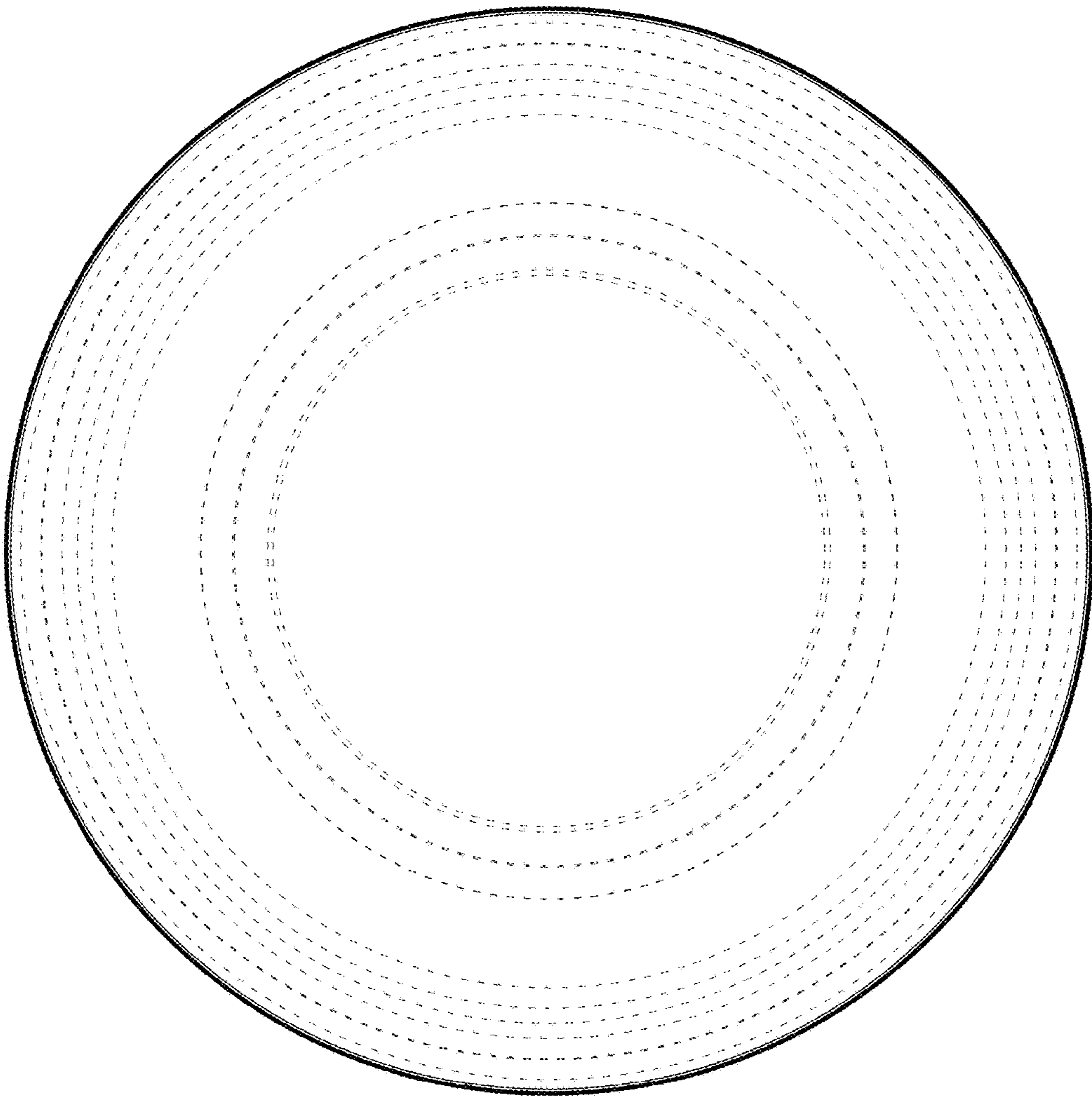


FIG. 6

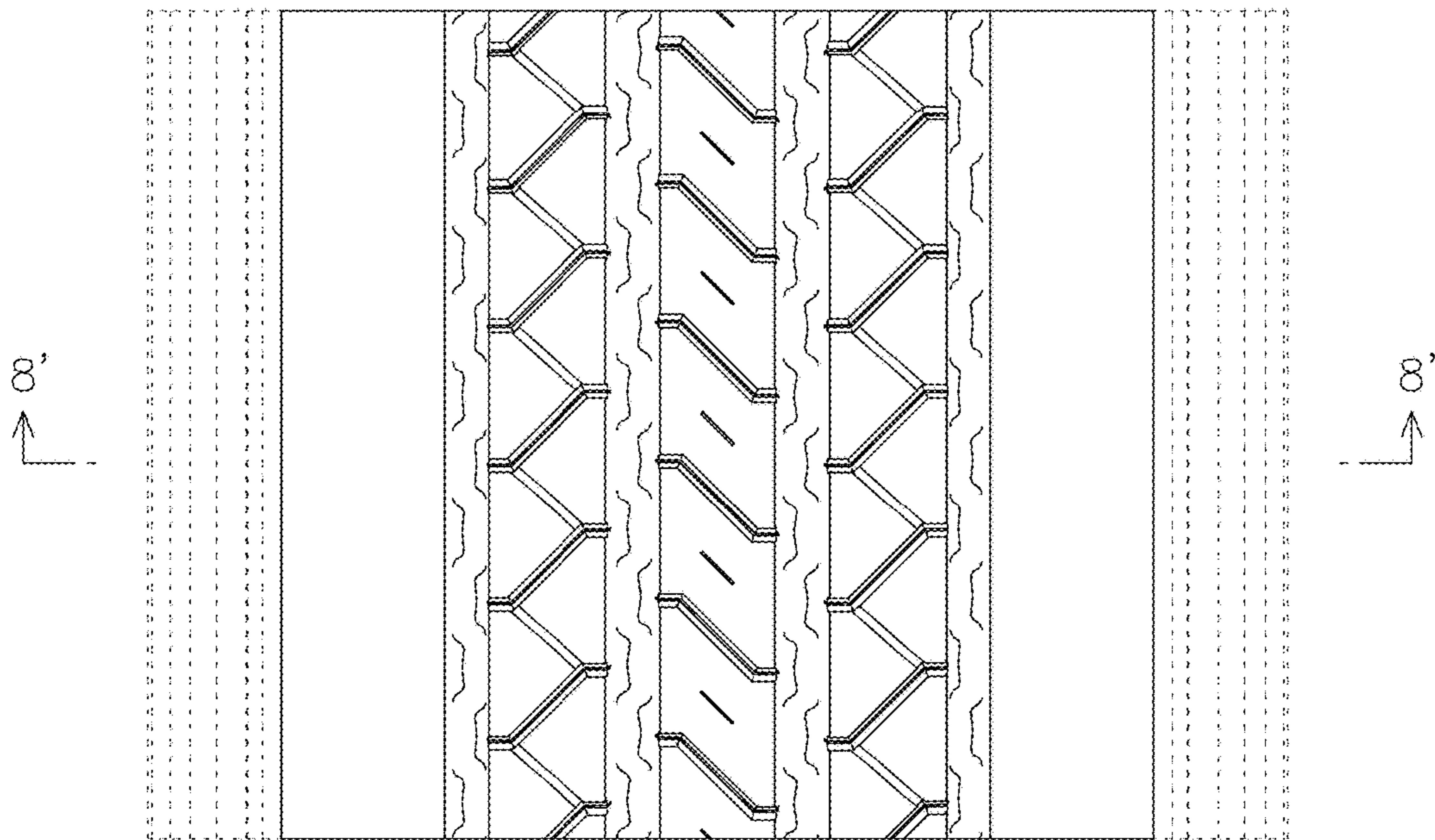


FIG. 7

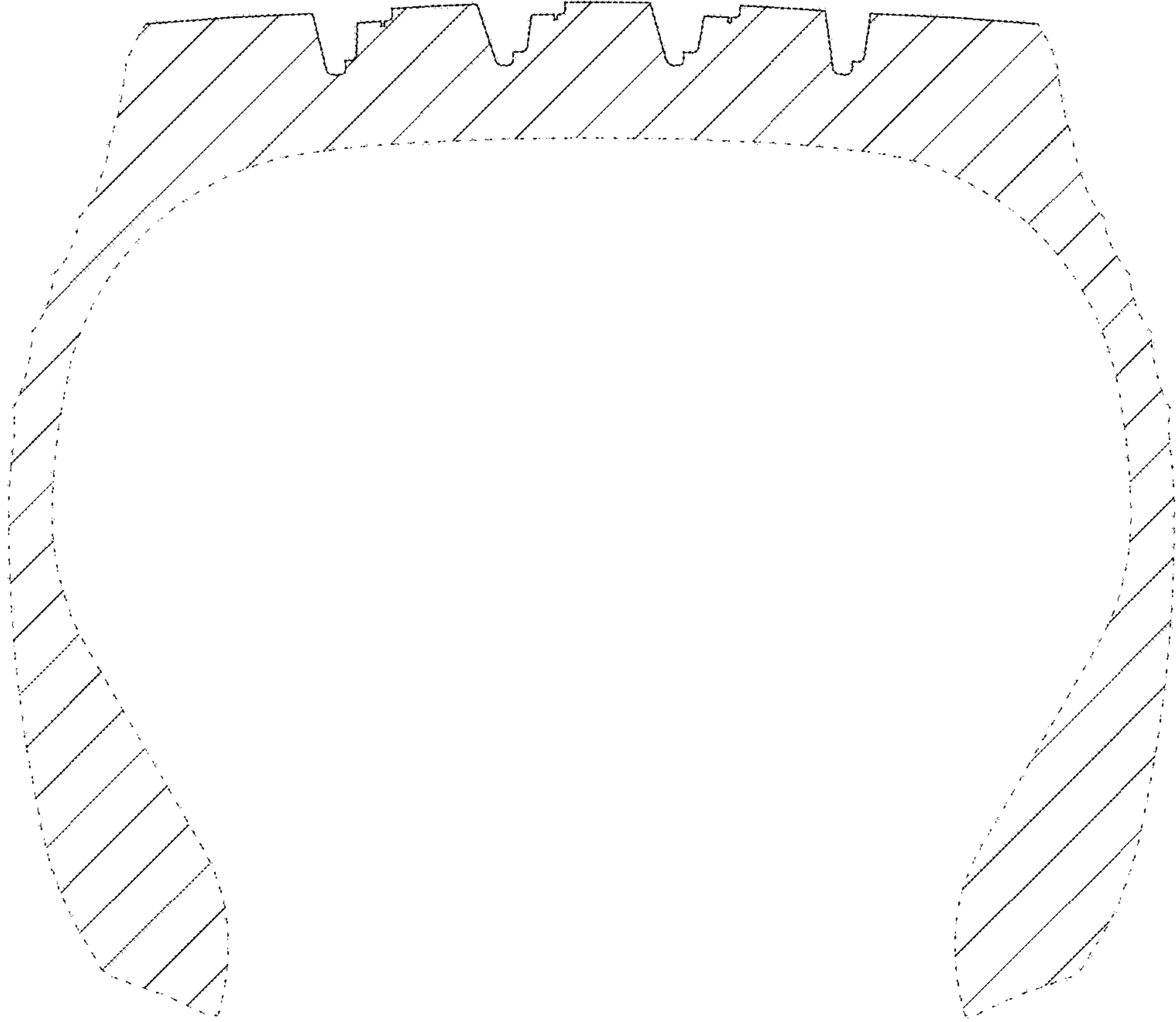


FIG. 8